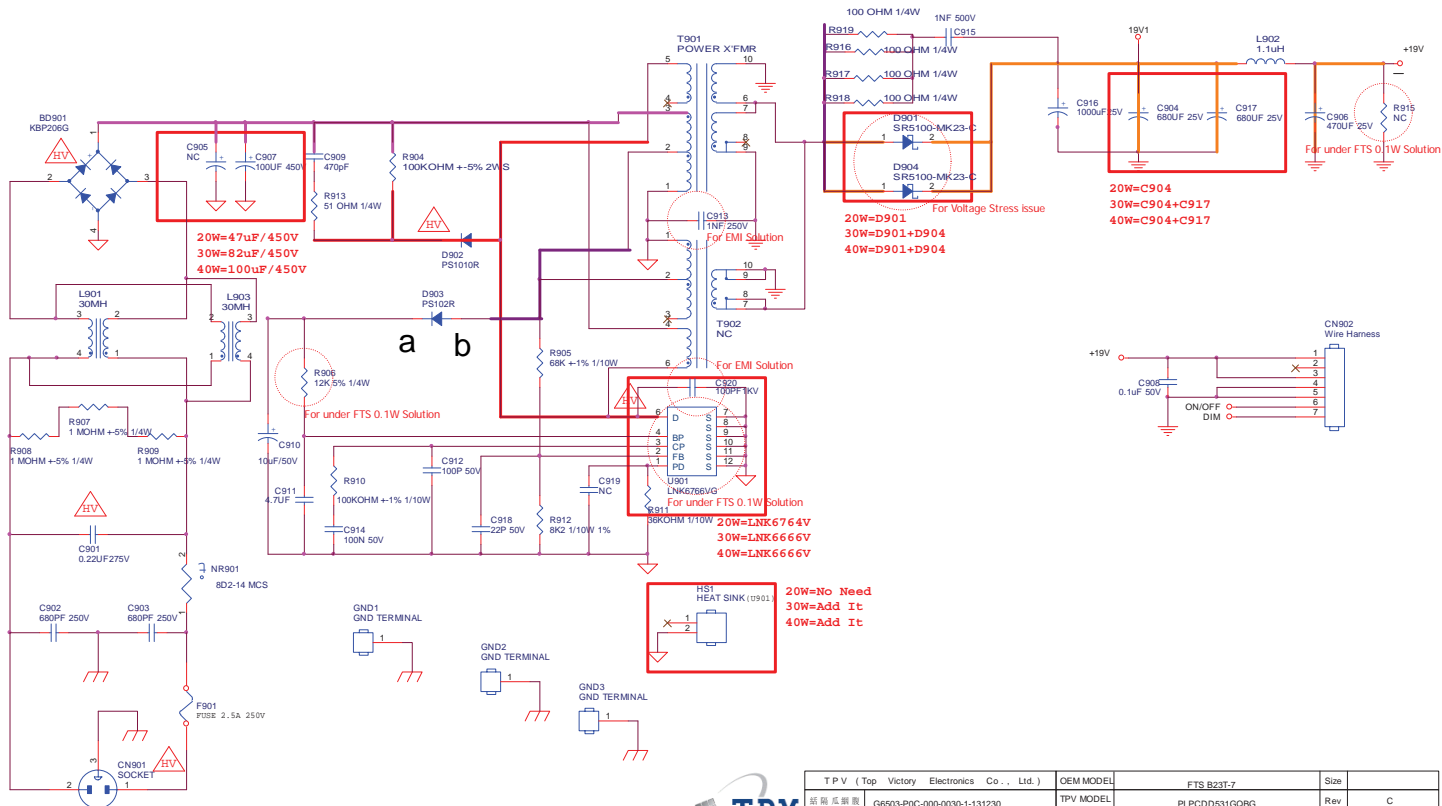


Remark: Parts position can be searched by using FIND function in PDF.



T.P.V (Top Victory Electronics Co., Ltd.)		CEM MODEL	FTS B23T-7	Size
Key Component	G6503-P0C-000-0030-1-131230	TPV MODEL	PLPCDD531G0GB	Rev
Date	Saturday, February 08, 2014	PCB NAME	715G6503-P0C-001-0030	C
		Sheet	2 of 3	规格
				FTS