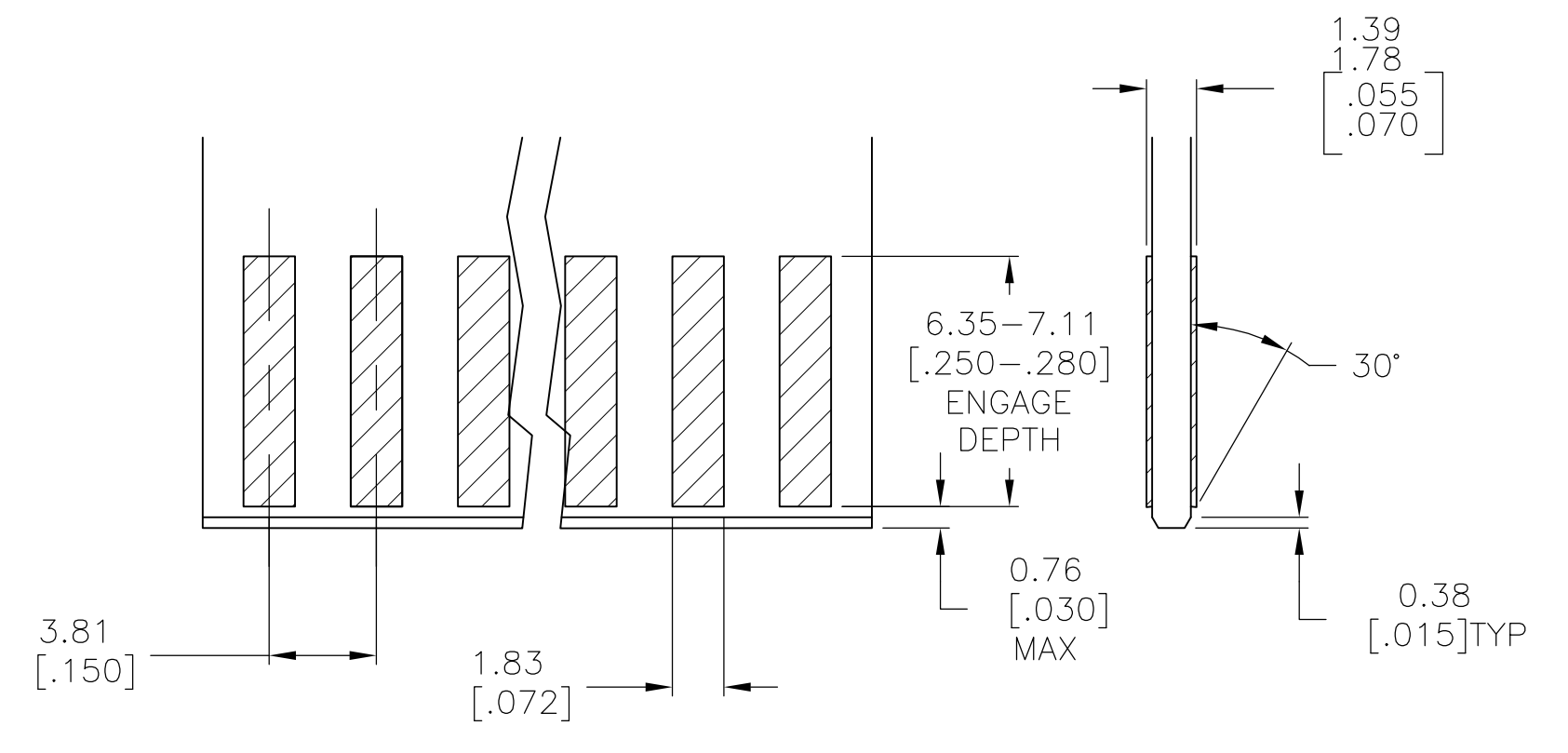


BOARD RETENTION FEATURE



DAUGHTER CARD

- 1 HOUSING: GLASS FILLED POLYESTER; COLOR: BLACK.
- 2 CONTACT: PHOSPHOR BRONZE.
- 3 HARD NICKEL PLATE .0038 {0.00150} MIN. THICKNESS AND 425 MIN. KNOOP HARDNESS IN LEAD-IN AREA, .0013 {0.00050} MIN THICKNESS ALL OVER. NOTE: PLATING HARDNESS CAN NOT BE MEASURED ON THE
- 4 TIN-LEAD PLATE: 0.00254 {0.000100} MIN - SOLDER POSTS.
- 5 GOLD PLATE: 0.00076 {0.000030} MIN - CONTACT AREA.
- 6 NICKEL PLATE PER MIL-G-45204. GOLD PLATE PER QQ-N-290.
- 7 UL & CSA LOGOS MOLDED ON END.
- 8 THE WORD MEXICO MOLDED ON END.
- 9 RECOMMENDED PCB FINISHED HOLE DIA: 1.02 # 0.08 {0.040 #.003}.
- 10 THE RETENTIVE FEATURE OF THIS CONNECTOR IS DESIGNED FOR FULL SEATING IN .062 .008 THICK CIRCUIT BOARDS. FOR APPLICATIONS IN BOARDS OF OTHER THICKNESSES CONTACT AMP INCORPORATED.
- 11 MATTE TIN PLATE: 0.00254 {0.000100} MIN - SOLDER POSTS.
- 12 OBSOLETE PARTS: OBSOLETE CIS STREAMLINING PER D.RENAUD/D.SINISI

12	OBSOLETE	7-10, 27-34, 53-56	121.16 [4.770]	114.30 [4.500]	30	31	11	8-650728-1
		7-10, 25-32, 47-50	109.73 [4.320]	102.87 [4.050]	27	28	11	7-650728-8
		7-10, 29-32	75.44 [2.970]	68.58 [2.700]	18	19	11	6-650728-9
		7-10, 15-18	48.77 [1.920]	41.91 [1.650]	11	12	11	6-650728-2
	OBSOLETE	7-10, 39-46, 75-78	163.06 [6.420]	156.21 [6.150]	41	42		4-650728-2
12	OBSOLETE	7-10, 27-34, 53-56	121.16 [4.770]	114.30 [4.500]	30	31		3-650728-1
		7-10, 25-32, 47-50	109.73 [4.320]	102.87 [4.050]	27	28		2-650728-8
		7-10, 29-32	75.44 [2.970]	68.58 [2.700]	18	19		1-650728-9
	OBSOLETE	7-10, 27-30	71.63 [2.820]	64.77 [2.550]	17	18		1-650728-8
	OBSOLETE	7-10, 17-20	52.07 [2.070]	45.72 [1.800]	12	13		1-650728-3
		7-10, 15-18	48.77 [1.920]	41.91 [1.650]	11	12		1-650728-2
		BOARD LOCATION	B	A	X	NO OF POSN		PART NUMBER

THIS DRAWING IS A CONTROLLED DOCUMENT. DIN R. SHIREY/UTA 11JULY91. CJK J. DIORAZIO 08OCT92.

DIMENSIONS: mm [INCHES]. TOLERANCES UNLESS OTHERWISE SPECIFIED: 0 PLC ± -, 1 PLC ± -, 2 PLC ± 0.13 [0.005], 3 PLC ± -, 4 PLC ± -. ANGLES: ± -.

MATERIAL: HOUSING: △ CONTACT: △△△△△. FINISH: △△△△△.

STE TE Connectivity. CONNECTOR ASSEMBLY, STANDARD EDGE II, 3.81 [.150] q SELECT BOARD RETENTION. PRODUCT SPEC: 108-9039. APPLICATION SPEC: -. SIZE: A1. CAGE CODE: 00779. DRAWING NO: 650728. WEIGHT: -. RESTRICTED TO: -. CUSTOMER DRAWING. SCALE: 4:1. SHEET: 1 OF 1. REV: P2.