

R3G190 Series

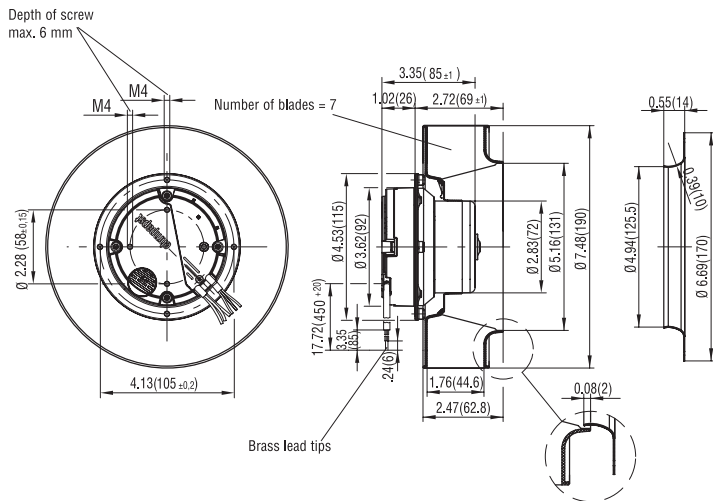
Motorized Impeller



Ø 190mm Backward Curved, EC-i

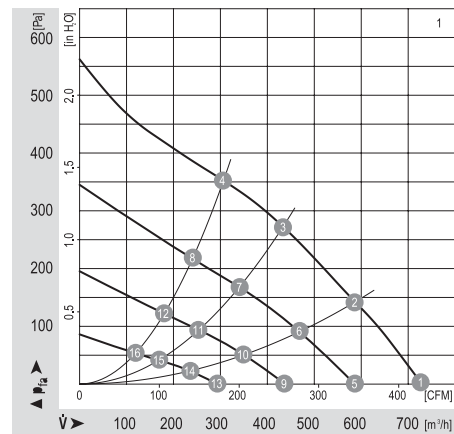
- Backward curved centrifugal fan features integrated electronics, extremely low noise and minimal heat generation.
- Variable mounting position.
- Impeller completely made of plastic PA 6.6.
- Maintenance-free ball bearings.
- IP 44 protection type.
- Cable exit: variable.
- Technical features: integrated electronics, PWM/Lin input, speed output.
- UL and CSA in preparation.
- Recommended inlet ring: 9576-2-4013.

Part Number	Curve	CFM @ 0	VAC	Hertz	Power (W)	dB(A)	Max Amb. Temp C	Bearing Type	Features	Speed (RPM)	Weight (lbs)
R3G190-AB07-02	1	429.7	230	50/60	70	68	60	Ball	Leads	2700	2.76



	n [RPM]	P _i [W]	η _{LL} [%]	Lp _A [dBA]		n [RPM]	P _i [W]	η _{LL} [%]	Lp _A [dBA]
1	3260	70	—	68	1	9	1960	15	—
1	3190	77	33	64	1	10	1910	16	33
1	3130	80	49	60	1	11	1880	17	49
1	3170	77	45	60	1	12	1890	16	45
1	2610	36	—	63	1	13	1310	4	—
1	2560	40	33	60	1	14	1280	5	33
1	2500	41	50	55	1	15	1250	5	48
1	2530	40	45	55	1	16	1280	5	45

Curve



Mouser Electronics

Authorized Distributor

Click to View Pricing, Inventory, Delivery & Lifecycle Information:

[ebm-papst:](#)

[R3G190-AB07-02](#)