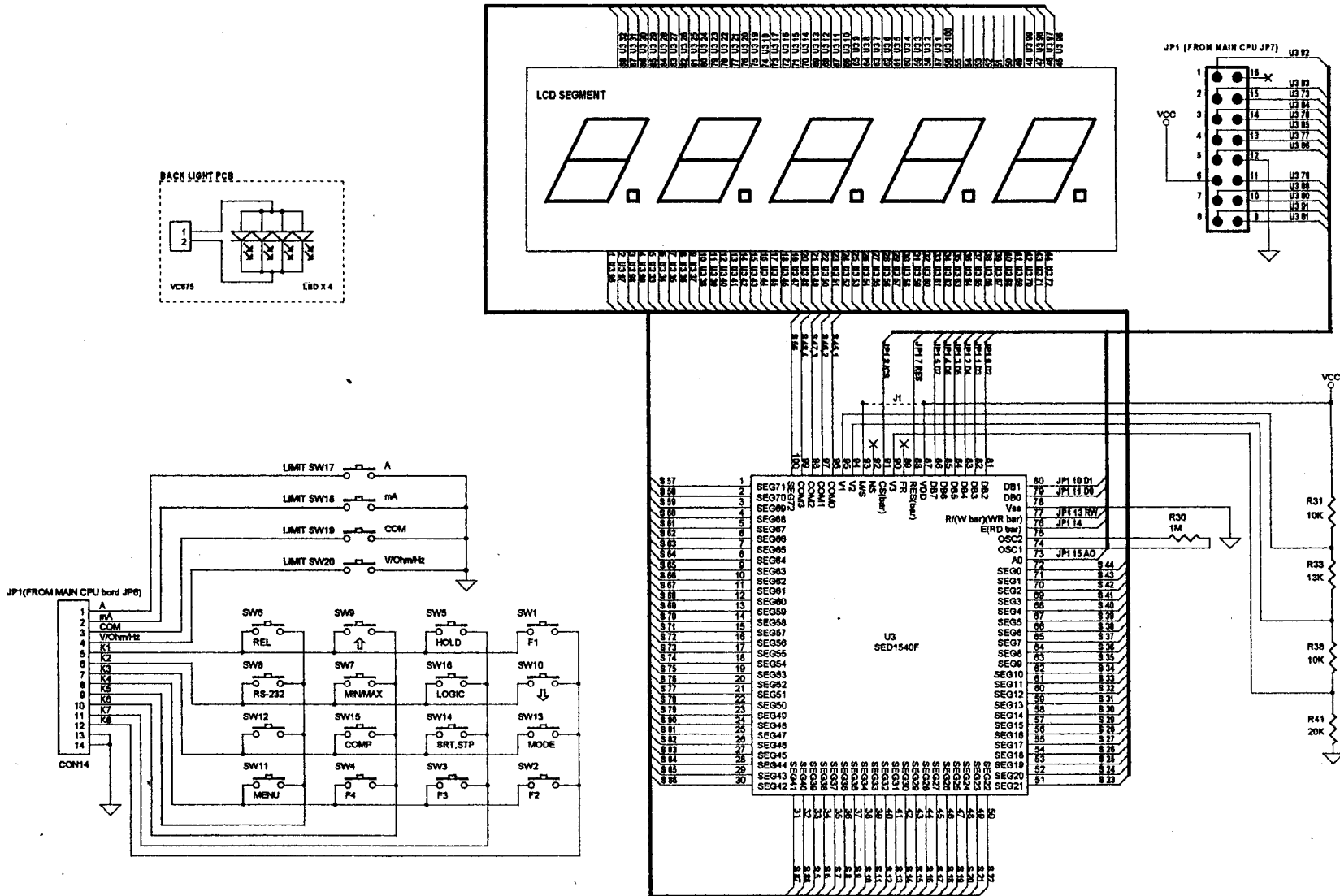
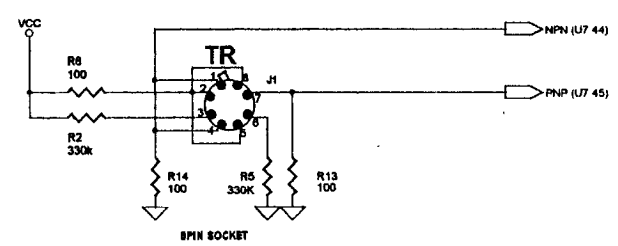
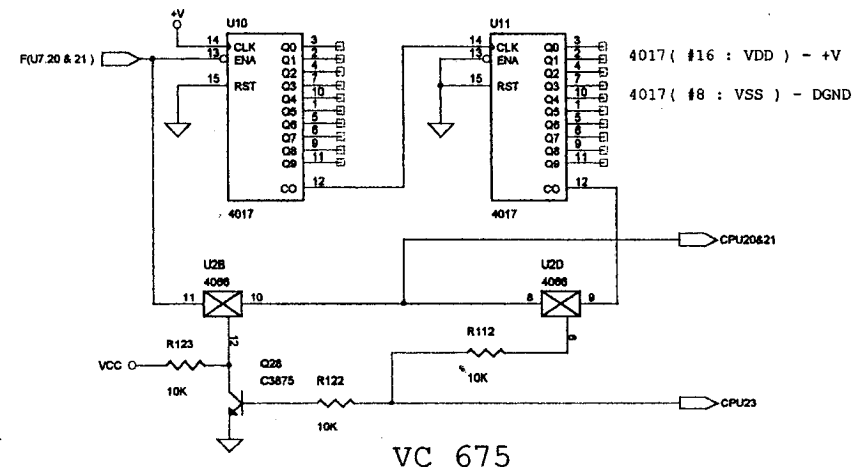
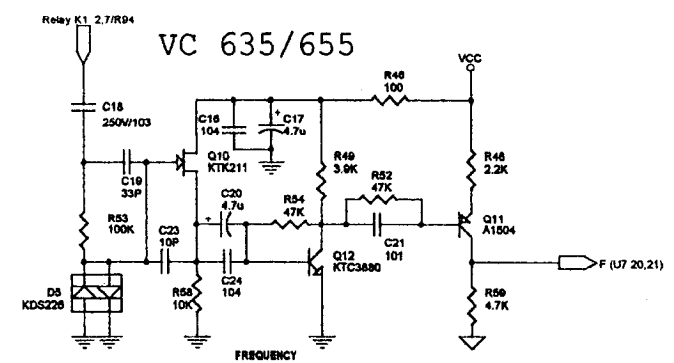
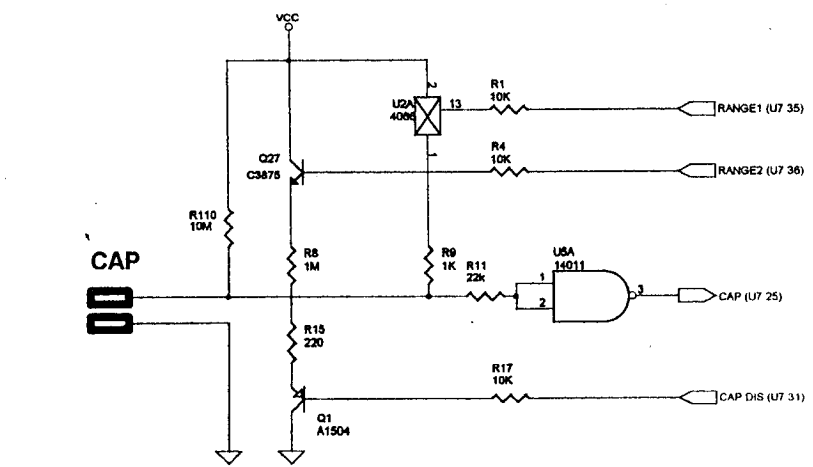
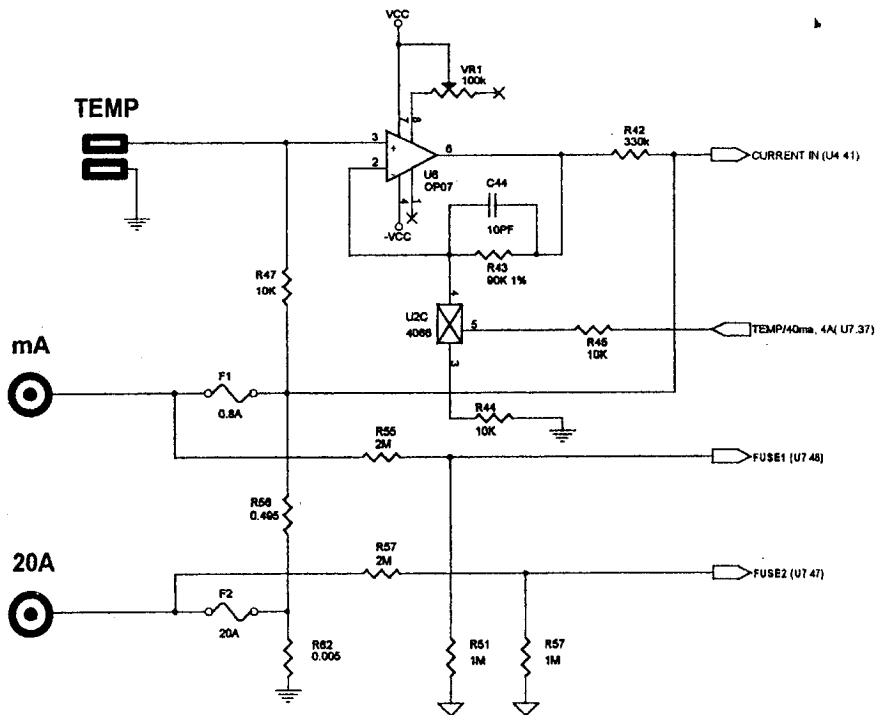


2) LCD & KEY PCB



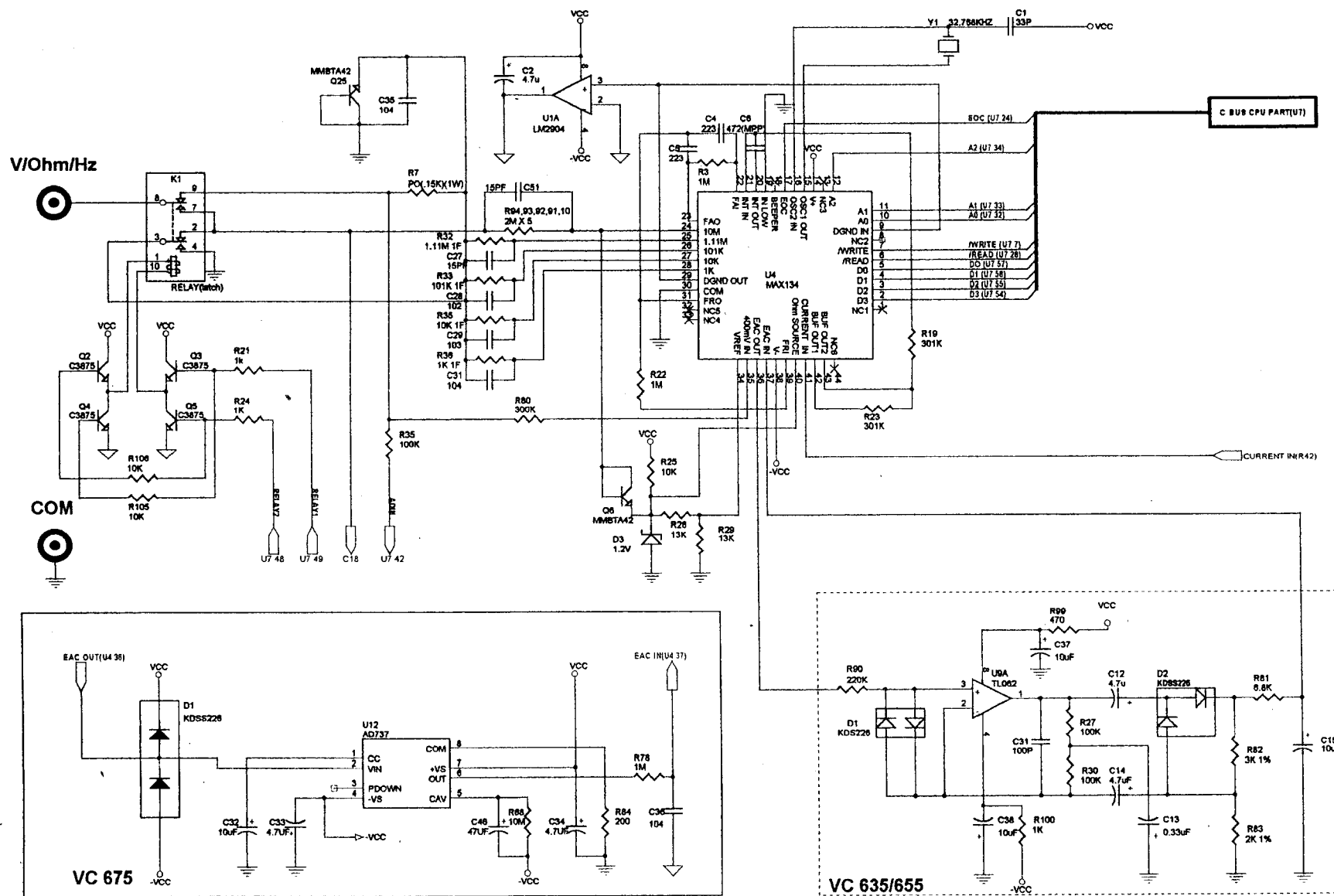
This Circuit Is Subject to Change With Previous Notice

VC 635/656/675		SAFTEC
File LCD & KEY PCB		
Size A4	Document Number 0008-01	Rev 1.0
Date: Monday, August 21, 2000	Sheet 1 of 4	



This Circuit is Subject to Change With Previous Notice

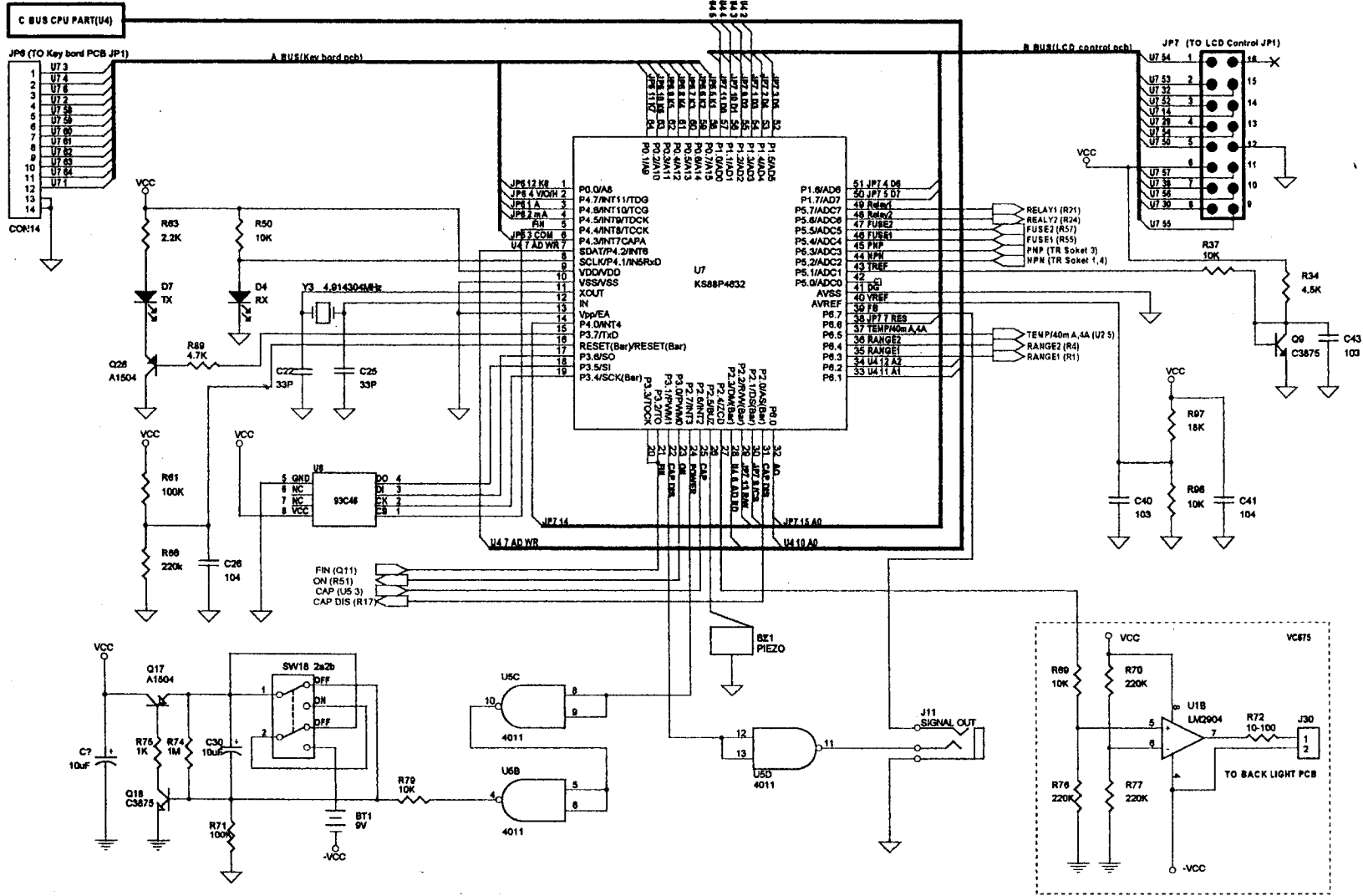
VC 635/655/675		SAFTEC
Title MAIN PCB SIGNAL PART		
Size A4	Document Number 0008-03	Rev 1.0
Date: Saturday, December 30, 2000	Sheet 3	of 4



11. SCHEMATIC DIAGRAM
1) MAIN PCB

This Circuit is Subject to Change With Previous Notice

VC 635/655/675		SAFTEC
File MAIN PCB A/D PART		
Size A4	Document Number 0008-02	Rev 1.0
Date Saturday, December 30, 2000	Sheet 2	of 4

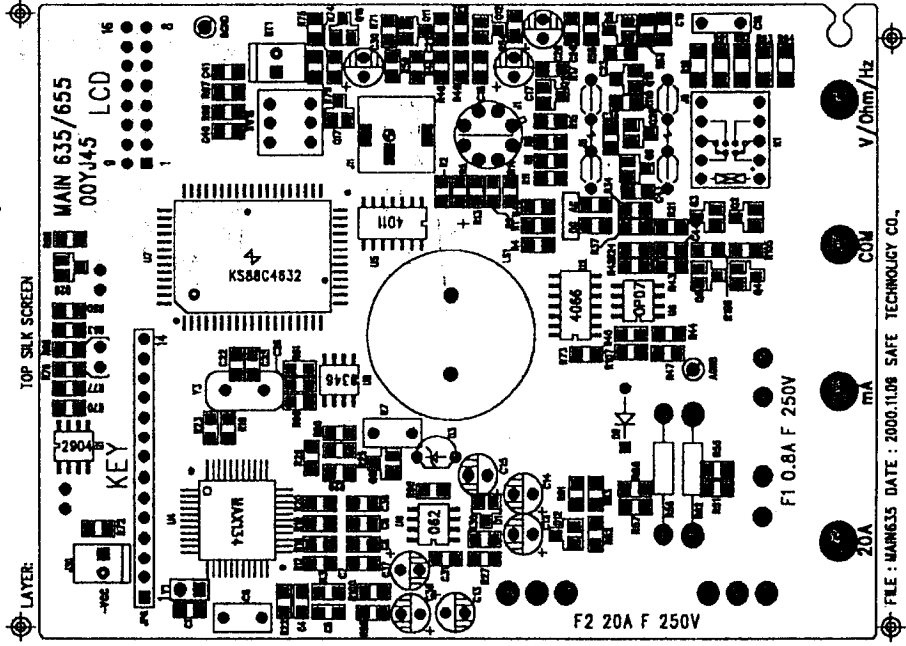


VC 635/655/675		SAFTEC
File MAIN PCB CPU PART		
Size A4	Document Number 0008-04	Rev 1.0
Date: Saturday, December 30, 2000 Sheet 4 of 4		

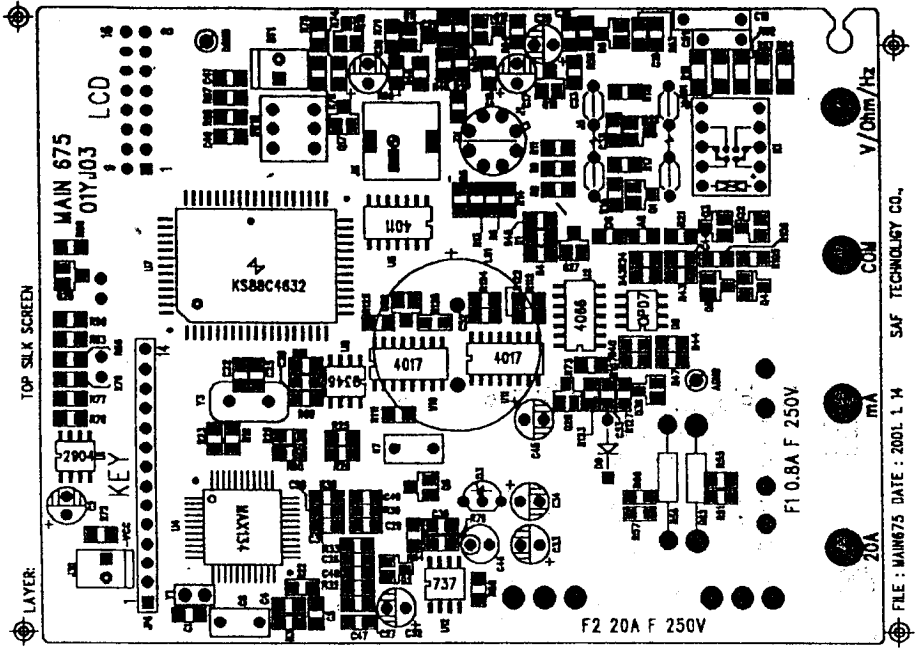
This Circuit is Subject to Change With Previous Notice

10. PCB LAYOUT & COMPONENT ARRANGEMENTS.

10-1. MAIN PCB LAYOUT



VC 635 / VC655



TOP SILK SCREEN

LAYER:

MAIN 675
01Y J03

LCD

KEY

KS88C4632

4017

4017

4006

F2 20A F 250V

F1 0.8A F 250V

20A

mA

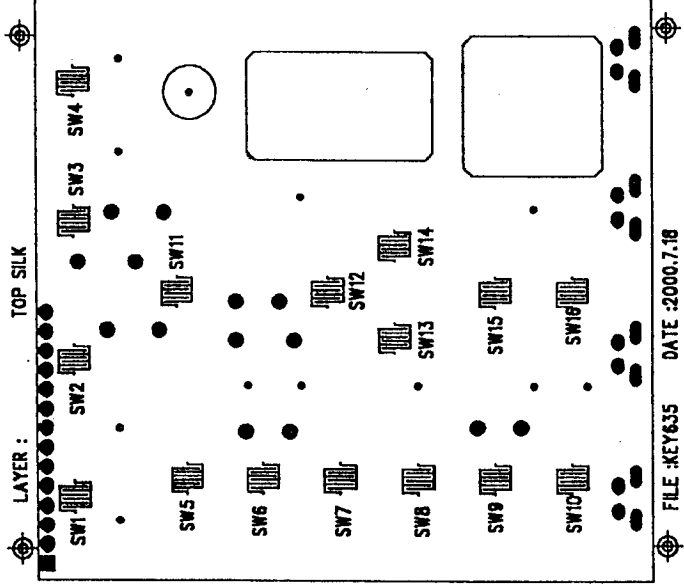
COM

V/Dim/Hz

FILE : MAIN675 DATE : 2001.1.14 SAF TECHNOLOGY CO.,

VC 675

10-2. KEY PCB LAYOUT



10-3. LCD PCB LAYOUT

