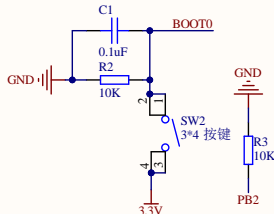
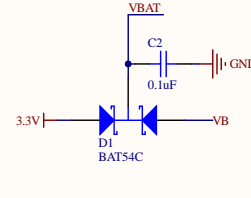


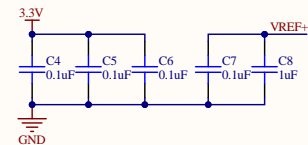
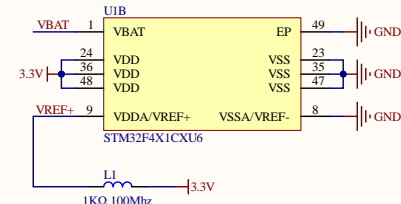
用户按键
User KEY



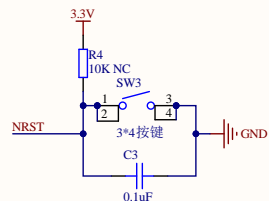
BOOT设置
BOOT Settings



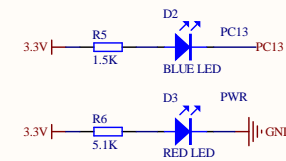
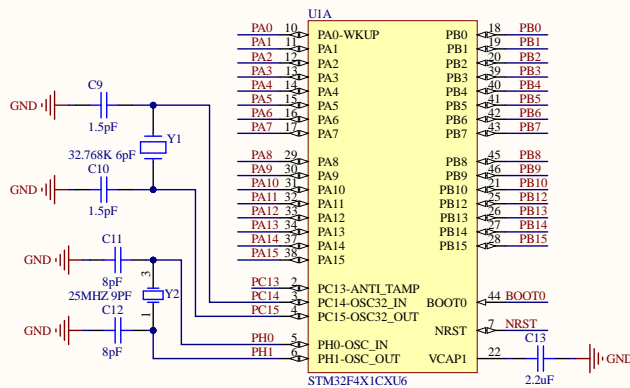
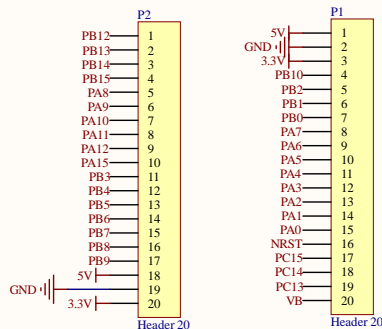
RTC电源
RTC circuit



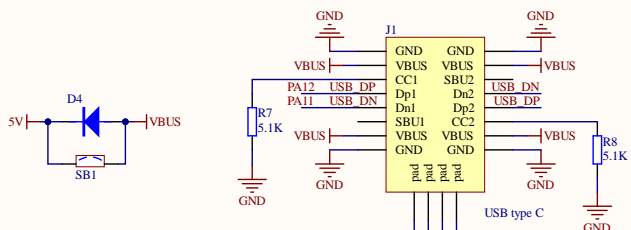
STM32电源部分
STM32 Power supply



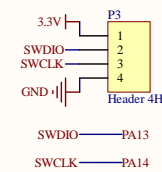
复位电路
Reset circuit



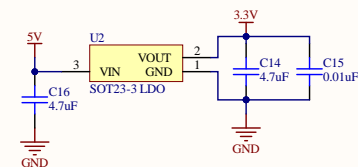
指示灯
Indicator light



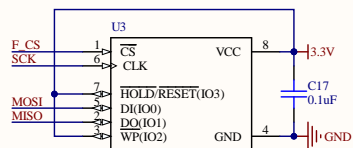
Type-C 接口
Type-C interface



SW 调试下载接口
SW debug download interface



5V -> 3.3V 电源转换
5V -> 3.3V Power conversion



FLASH 自行购买焊接

WeAct Studio

Title		MiniF4 Bottom有V3.1字样 V3.1	
Size	Number	Revision	
A3		V3.1	
Date:	4/17/2021	Sheet of	
File:	D:\AD_Projects\MiniF4x1Cx.SchDoc	Drawn By:	zhuyix