




TECHNICAL DATA FOR DIGITAL MULTIMETER

MODEL: M-3610D & M-3650D

MATERIAL PART LIST

M - 3 6 1 0 D

NO : 1st Rev.
MODEL : M-3610D
DATE : Dec 27. 1993.
PAGE : 6

CHARGE	CHECKED	APPROVED
		

M A T E R I A L P A R T L I S T

Model : M-3610D

Date : 1993.12.27

NO	N A M E	RATINGS & DIMENSION	UNIT	Q'TY	PART NO.	REMARKS
1	C . P . U .	KS57C2016	ea	1	IC1	SAMSUNG ELECTRONICS KOREA.
2	L . S . I .	MAX130CPL	ea	1	IC2	MAXIM INTEGRATED PRODUCTS LTD. U.S.A.
3	I . C .	GD4027BD/MC14027BD	ea	1	IC3	GOLDSTAR ELECTRON, KOREA MOTOROLA SEMICON U. S. A.
4	I . C .	TL062	ea	1	IC4	JRC. TI.
5	I.C.	GD4011BD/MC14011BD	ea	1	IC5	GOLDSTAR ELECTRON, KOREA MOTOROLA SEMICON. U.S.A.
6	I.C.	GD4066BD/MC14066BD	ea	1	IC6	GOLDSTAR ELECTRON, KOREA MOTOROLA SEMICON. U.S.A.
7	PHOTO COUPLERS	LTV - 817/TLP - 621	ea	2	IC7, IC8	GOLDSTAR ELECTRON, KOREA MOTOROLA SEMICON. U.S.A.
8	H. I. C.	HD - 08	ea	1	IC9	DOSHIN PRECISION CO., LTD KOREA
9	TRANSISTOR	KTA1504S	ea	2	Q1, Q2	KOREA ELECTRONICS CO., LTD.
10	TRANSISTOR	KTC3875SY	ea	4	Q3, 4, 5, 6	KOREA ELECTRONICS CO., LTD.
11	TRANSISTOR	C3121	ea	1	Q7	KOREA ELECTRONICS CO., LTD.
12	TRANSISTOR	2SK192A	ea	1	Q8	KOREA ELECTRONICS CO., LTD.
13	TRANSISTOR	MMBT442	ea	1	Q9	KOREA ELECTRONICS CO., LTD.
14	M. F. R. 1/2W D	9 MΩ	ea	1	R1	FOX COMPANY JAPAN
15	M. F. R. 1/4W D	900 KΩ	ea	1	R2	KOA CORPORATION JAPAN
16	M. F. R. 1/4W D	90 KΩ	ea	1	R3	KOA CORPORATION JAPAN
17	M. F. R. 1/4W D	9 KΩ	ea	1	R3	KOA CORPORATION JAPAN
18	M. F. R. 1/4W D	900 Ω	ea	1	R5	KOA CORPORATION JAPAN
19	M. F. R. 1/4W D	100 Ω	ea	1	R6	KOA CORPORATION JAPAN
20	M. F. R. 1/4W D	900 KΩ	ea	1	R7	DUWON ELEC CO., LTD. KOREA
21	M. F. R. 1/4W D	90 KΩ	ea	1	R8	DUWON ELEC CO., LTD. KOREA
22	M. F. R. 1/4W D	900 Ω	ea	1	R9	DUWON ELEC CO., LTD. KOREA
23	M. F. R. 1/4W D	100 Ω	ea	1	R10	DUWON ELEC CO., LTD. KOREA

NO	NAME	RATINGS & DIMENSION	UNIT	Q'TY	PART NO.	REMARKS
24	M.N.W.R. 2W	1 Ω	ea	1	R11	SUNG JU ELEC CO. KOREA
25	M.N.P.R. 10W	0.01 Ω	ea	1	R12	SAMHWA PRECISION CO. KOREA
26	M.F.R. 1/4W F	130 K Ω	ea	1	R13	DUWON ELEC CO., LTD KOREA
27	M.F.R. 1/4W F	990 K Ω	ea	1	R14	DUWON ELEC CO., LTD KOREA
28	M.F.R. 1/4W F	10 K Ω	ea	1	R15	DUWON ELEC CO., LTD KOREA
29	M.F.R. 1/4W F	6.8 K Ω	ea	2	R16, R17	DUWON ELEC CO., LTD KOREA
30	M.F.R. 1/4W F	4 K Ω	ea	1	R18	DUWON ELEC CO., LTD KOREA
31	M.F.R. 1/4W F	1.5 K Ω	ea	1	R19	DUWON ELEC CO., LTD KOREA
32	M.F.R. 1/4W F	330 Ω	ea	1	R20	DUWON ELEC CO., LTD KOREA
33	M.F.R. 1/4W F	1.87 K Ω	ea	1	R21	DUWON ELEC CO., LTD KOREA
34	M.F.R. 1/4W F	3 K Ω	ea	1	R22	DUWON ELEC CO., LTD KOREA
35	M.F.R. 1/2W J	1 K Ω	ea	1	R23	DUWON ELEC CO., LTD KOREA
36	C.F.R. 1/4W J	330 K Ω MCR18J	ea	1	R24	ROHM KOREA CO.
37	C.F.R. 1/4W J	10 K Ω MCR18J	ea	3	R25, 26, 27	ROHM KOREA CO.
38	C.F.R. 1/4W J	6.8 K Ω MCR18J	ea	1	R28	ROHM KOREA CO.
39	C.F.R. 1/4W J	2.2 K Ω MCR18J	ea	1	R29	ROHM KOREA CO.
40	C.F.R. 1/4W J	56 K Ω MCR18J	ea	2	R30, 31	ROHM KOREA CO.
41	C.F.R. 1/4W J	7.5 K Ω MCR18J	ea	2	R32, 33	ROHM KOREA CO.
42	C.F.R. 1/4W J	3.3 K Ω MCR18J	ea	2	R34, 35	ROHM KOREA CO.
43	C.F.R. 1/4W J	470 Ω MCR18J	ea	1	R36	ROHM KOREA CO.
44	C.F.R. 1/4W J	750 Ω MCR18J	ea	2	R37, 38	ROHM KOREA CO.
45	C.F.R. 1/4W J	47 K Ω MCR18J	ea	3	R39, 40, 41	ROHM KOREA CO.
46	C.F.R. 1/4W J	3.9 K Ω MCR18J	ea	1	R42	ROHM KOREA CO.
47	C.F.R. 1/4W J	100 Ω MCR18J	ea	1	R43	ROHM KOREA CO.
48	C.F.R. 1/4W J	1 M Ω MCR18J	ea	7	R44-48, R63, 64	ROHM KOREA CO.
49	C.F.R. 1/4W J	220 K Ω	ea	1	R49	ROHM KOREA CO.
50	C.F.R. 1/4W J	100 K Ω	ea	12	R50 - R62	ROHM KOREA CO(R58 제외)

M A T E R I A L P A R T L I S T

Model : M-3610D

Date : 1993.12.27

NO	N A M E	RATINGS & DIMENSION	UNIT	Q' TY	PART NO.	REMARKS
51	C.F.R 1W J	100 KΩ	ea	1	R58	ROHM KOREA CO.
52	REC. DIODE	1N4007	ea	5	D1, 2, 3, 4, 5	LITEON POWER SEMICONDUCTOR CO. TIWAN
53	SW. DIODE	KDS193/KDS196	ea	9	D6 - D14	KOREA ELECTRONIC CO., LTD
54	SW. DIODE	KDS224	ea	1	D15	KOREA ELECTRONIC CO., LTD
55	E . C .	47 μF/35V	ea	2	C1, C2	DAEWOO ELECTRONIC COMPONENTS CO., LTD. KOREA
56	E . C .	0.33 μF/50V	ea	3	C3, 4, 5	DAEWOO ELECTRONIC COMPONENTS CO., LTD KOREA
57	E . C .	10 μF /16V	ea	3	C6, C9, C29	DAEWOO ELECTRONIC COMPONENTS CO., LTD KOREA
58	E . C .	1 μF /16V	ea	2	C7, 8	DAEWOO ELECTRONIC COMPONENTS CO., LTD KOREA
59	E . C .	4.7 μF /16V	ea	3	C10, 11, 30	DAEWOO ELECTRONIC COMPONENTS CO., LTD KOREA
60	C . C .	100pF GMC31CG101J50NIF	ea	2	C12, 13	LUCKY LTD. KOREA
61	C . C .	220pF GMC21CG221J50NIF	ea	2	C14, 15	LUCKY LTD. KOREA
62	C . C .	104 MC31Y5V104Z50ZIF	ea	3	C16, 17, 31	LUCKY LTD. KOREA
63	C . C .	33pF MC21CG330J50NIF	ea	1	C18	LUCKY LTD. KOREA
64	C . C .	22pF GMC21CG220J50NIF	ea	3	C19, 20, 21	LUCKY LTD. KOREA
65	SURGE CAPACITOR	102 / 1 KV	ea	1	C22	DONGEUN ELECT CO. KOREA
66	C . C .	103 MC31X7R103K60N1M	ea	1	C23	LUCKY LTD. KOREA
67	M.P.F.C.	224 / 63V K	ea	2	C24, 25	YUCHANG ELEC CO., LTD. KOREA
68	M.P.F.C.	104	ea	3	C26, 27, 28	YUCHANG ELEC CO., LTD. KOREA
69	CRYSTAL	32.768 KHz	ea	1	XT1	TAITIEN ELEC. CO., LTD. TIWAN
70	CRYSTAL	4.185 MHz	ea	1	XT2	ILSHIN COMMUNICATION LTD.
71	FUSE	S501 2A/250V	ea	2	F1	BUSSMAN COOPER UK LIMITED
72	FUSE	ABC 20A/250V	ea	1	F2	BUSSMAN DIVISION COOPER INDUSTRIES U.S.A.
73	FUSE CLIP	1A3399 - 10	ea	2		BUSSMAN DIVISION COOPER INDUSTRIES U.S.A.

M A T E R I A L P A R T L I S T

Model : M-3610D

Date : 1993.12.27

NO	N A M E	RATINGS & DIMENSION	UNIT	Q' TY	PART NO.	REMARKS
74	FUSE CLIP	1A1119 - 10 20A	ea	2		BUSSMAN DIVISION COOPER INDUSTRIES U.S.A.
75	BUZZER	PIEZO BUZZER (20 ϕ)	ea	1	BZ1	HUNPYUNG ELEC. CO. KOREA
76	PUSH SWITCH	2C2P SELFLOCK DLT2288	ea	1	SW1	DAILIM ELECTRONIC CO. KOREA
77	M. T. V. R	200 Ω 89PR200	ea	1	VR1	BECKMAN IND. JAPAN LTD.
78	M. D. V. R.	200 Ω 687A-200B	ea	1	VR2	RAPID ELEC. CO., LTD. KOREA
79	POSISTOR	1.5K Ω B59886	ea	1	PTC1	SIEMENS COMPONENTS PTE. LTD
80	JACK TERMINAL	M-3850	ea	4		ILSHIM PRECISION CO. KOREA
81	L. C. D.	LS - 0725A	ea	1		SAMSUNG DISPLAY DEVICES CO., LTD. KOREA
82	L. C. D. BASE	MS-9150	ea	1		DAEHAN PRECISION CO., LTD
83	WINDOW	M-3610D	ea	1		DAEHAN PRECISION CO., LTD
84	GROUND POLE	M - 36CR (ϕ 6 X 4.0)	ea	1		ILSHIM PRECISION CO.
85	SHIELD PAPER	M-3610D	ea	1		SUNGWON IND. CO.
86	KNOB	M-3270	ea	1		DAEHAN PRECISION CO., LTD
87	SELECTOR	M-36D	ea	1		DAEHAN PRECISION CO., LTD
88	P. C. B.	M-3610D 74.0 X 152.0 X 1.6t	ea	1		KIJOO INDUSTRIAL CO., LTD. KOREA
89	P. C. B. (SUB)	M-3610D 74.0 X 85.0 X 1.6t	ea	1		DONGYANG PRODUCTS CO., LTD. ORITECH CO. JIN HUNG ELECTRON CO.
90	I. C. SOCKET	11 PIN	ea	1		WOORYOUNG INDUSTRIAL, LTD.
91	I. C. SOCKET	9 PIN	ea	1		WOORYOUNG INDUSTRIAL, LTD.
92	I. C. SOCKET	3 PIN	ea	1		WOORYOUNG INDUSTRIAL, LTD.
93	I. C. SOCKET	2 PIN	ea	1		WOORYOUNG INDUSTRIAL, LTD.
94	CONNECTOR	25 PIN	ea	1		SAMWHA PRECISION CO.
95	CONNECTOR WAFER	3024 - 06AHPB	ea	1		MOLEX JAPAN CO., LTD
96	BATTERY SNAP	M - 36CR (180mm)	ea	1		WONJIN IND. CO. KOREA
97	FRONT CASE	M-3610D	ea	1		DAE HAN PRECISION CO.

M A T E R I A L P A R T L I S T

Model : M-3610D

Date : 1993.12.27

NO	N A M E	RATINGS & DIMENSION	UNIT	Q' TY	PART NO.	REMARKS
98	BACK CASE	M - 3610D	ea	1		DAE HAN PRECISION CO.
99	POWER S/W KNOB	M - 3610D (RED)	ea	1		DAE HAN PRECISION CO.
98	BATTERY COVER	M - 3610D	ea	1		DAE HAN PRECISION CO.
99	STAND	M - 3270	ea	1		DAE HAN PRECISION CO.
100	S/W RUBBER GUIDE	M - 3610D	ea	1		DAE HAN PRECISION CO.
101	KEY RUBBER	M - 3610D	ea	3		KYUNG WON IND CO.
102	GASKET	M - 3610D	ea	1		SUNG WON INC.CO. KOREA
103	E RING	φ 5.0	ea	1		A - JU CO.
104	BALL	φ 4.0 (φ 3.96)	ea	2		DUCK SHIN CO.
105	COIL SPRING	외경 3.85, 자유장 7.5	ea	1		HYUP SUNG IND.CO. KOREA
106	COIL SPRING	외경 3.85, 자유장 6.0	ea	1		HYUP SUNG IND.CO. KOREA
107	INTER CONNECTOR	16.9 X 16.1 X 1.8 T	ea	2		YU IL ELECTRONICS CO.
108	RS-232C CABLE SET	6 PIN	ea	1		JIN AH IND.CO.KOREA
109	SCREW	M-36CR (M3.0 X 21.0)	ea	4		SUNG GA IND.CO. KOREA
110	SCREW	M-36CR (M2.6 X 10.5)	ea	1		SUNG GA IND CO. KOREA
111	SCREW	M3 X 4.0 (MACHINE)	ea	4		SUNG GA IND CO. KOREA
112	SCREW	M2 X 5.0 (TAPPING)	ea	4		SUNG GA IND CO. KOREA
113	SCREW	M-36CR (M2.6 X 4)	ea	1		SUNG GA IND CO. KOREA
114	SUPPORT SCREW	M3 X 4.0	ea	3		SUNG GA IND CO. KOREA
115	SCREW	M2.6 X 7.0	ea	3		SUNG GA IND CO. KOREA
116	SCREW	M2.6 X 3.0	ea	2		SUNG GA IND CO. KOREA
117	S/W PANNEL	M-3610D	ea	1		SUNGWON IND.CO.
118	AIR BAG	M-3850	ea	1		YU SUNG IND.CO.
119	RUBBER FOOT	M-36B	ea	1		KYUNG WON IND.CO.
120	RUBBER FOOT	M-818	ea	1		KYUNG WON IND.CO.
121	SELECTOR SHAFT	M-3270	ea	1		IL SHIM PRECIHION CO.

MATERIAL PART LIST

M - 3 6 5 0 D




ITEM NO.	NO.	N A M E	DESCRIPTION	CONTENTS	REVISED	REMARKS
1	14	TRANSISTOR	MMBTA42	1ea (Q7) → 2ea(Q7,11)		INC
2	40	C.F.R. ¼W J	10K	4ea(R26-R29) → 3ea(R26,28,42)		DEC
3	48	"	47K	3ea(R40-42) → 2ea(R40,41)		DEC
5	52	"	10K	1ea(R29) → 15K 1ea(R29)		REV
6	53	"	1M	7ea(R45-49,68,69) → 6ea(R27,45-47,68,69)		DEC
7	55	"	1.8K	1ea(R51) → 1.5K 1ea(R51)		REV
8	57	"	100K	14ea(R53-66) → 22ea(R53-66,70,74-80)		INC
10	60	"	3K	1ea(R81)		INS
11	62	SW. DIODE	KDS193/196	8ea(D6-13) → 9ea(D6-14)		INC
12	63	E.C	47uF/35V	2ea(C1,2) → 47uF/16V 2ea (C1,2)		REV
13	64	"	0.33uF/50V	1ea(C3) → 2ea(C3,35)		INC
14	65	"	10uF/16V	3ea(C6,9,34) → 4ea(C6,9,34,38)		INC
15	67	"	4.7uF/16V	5ea(C4,5,10,11,35) → 5ea(C4,5,10,11,25)		REV
16	68	C.C	104	1ea (C32) → 223 1ea(C32)		REV
17	69	"	104	1ea (C33) → 124 1ea(C33)		REV
18	70	"	100pF	2ea(C12,13) → 100pF 1ea(C12)		DEC
	71	"	220PF	3ea(C14-16) → 220PF 2ea(C15,16)		DEC
19	72	"	104	5ea (C17-19,32,33) → 4ea(C17-19,36)		DEC
20	73	"	33pF	1ea(C2C) → 3ea(C13,14,20)		INC
21	74	CRYSTAL	32.768KHz	1ea(XT1) → 38.400KHz 1ea(XT1)		REV
22	75	C.C	103	2ea(C25,31) → 1ea (C31)		DEC

NO : 4TH Rev.

MODEL : M-3650D

DATE : Apr. 22, 1994

PAGE : 6

CHARGE	CHECKED	APPROVED
		

M A T E R I A L P A R T L I S T

ITEM NO.	NO.	N A M E	DESCRIPTION	CONTENTS	REVISED	REMARKS
23	76	C.C	472 1ea(C37)			INS
24	92	M.D.V.R.	500K 1ea(VR3) → 300K 1ea(VR3)			REV
25	105	CONNECTOR PIN	33PIN → 33PIN (90cm/㉓)			REV
26	111	BATTERY SNAP	M36CR → M36CR (180cm/㉓)			REV
27	119	KEY RUBBER	M3270 → M3270(3KEY)			REV
28	120	KEY RUBBER	M36D → M3270(2KEY)			REV
29	151	JUMP WIRE	8.5 Cm STYLE:1007 SIZE: AWG26			INS

* 생산기술 윤안재 기사의 요구에 의하여 수정함.

MATERIAL PART LIST

Model : M-3650D

Date : Apr. 22, 1994

NO	NAME	RATINGS & DIMENSION	UNIT	QTY	PART NO.	REMARKS
1	C. P. U.	KS57C2016	ea	1	IC1	SAMSUNG ELECTRONICS. KOREA
2	L. S. I.	MAX13CCPL	ea	1	IC2	MAXIM INTEGRATED PRODUCTS LTD. U.S.A.
3	I.C	GD40273D/MC140273D	ea	1	IC3	GOLDSTAR ELECTRON. KOREA MOTOROLA SEMICON. U.S.A.
4	"	ICM7555C3A	ea	1	IC5	HARRIS SEMICONDUCTOR. U.S.A
5	"	GD4011BD/MC14011BD	ea	1	IC7	GOLDSTAR ELECTRON. KOREA MOTOROLA SEMICON. U.S.A.
6	"	GD4066BD/MC14066BD	ea	1	IC8	GOLDSTAR ELECTRON. KOREA MOTOROLA SEMICON. U.S.A.
7	"	9005 7ACCS	ea	1	IC11	SGS-THOMSON MICRO ELEC.
8	H.I.C	HD - 08	ea	1	IC4	DOSHIN PRECISION CO., LTD KOREA
9	"	HD-201CR	ea	1	IC6	DOSHIN PRECISION CO., LTD
10	PHOTO COUPLER	LTV-817/TLP-621	ea	2	IC9,10	LITEON ELEC. CO., LTD. TAIWAN TOSHIBA CORP. JAPAN
11	TRANSISTOR	KTA1504	ea	2	Q1,2	KOREA ELECTRONICS CO., LTD.
12	"	KTC3875SY	ea	4	Q3,4,9,10	KOREA ELECTRONICS CO., LTD.
13	"	C3121	ea	1	Q5	KOREA ELECTRONICS CO., LTD.
14	"	MMBT42	ea	2	Q7,11	KOREA ELECTRONICS CO., LTD.
15	F.E.T.	2SK192A	ea	1	Q6	KOREA ELECTRONICS CO., LTD.
16	M.F.R 1/2W D	9 MΩ	ea	1	R1	FOX COMPANY. JAPAN
17	M.F.R 1/4W D	900 KΩ	ea	1	R2	KOA CORPORATION. JAPAN
18	"	90 KΩ	ea	1	R3	KOA CORPORATION. JAPAN
19	"	9 KΩ	ea	1	R4	KOA CORPORATION. JAPAN
20	"	900 Ω	ea	1	R5	KOA CORPORATION. JAPAN
21	"	100 Ω	ea	1	R6	KOA CORPORATION. JAPAN
22	"	900 KΩ	ea	1	R7	DUWON ELEC. CO., LTD. KOREA
23	"	90 KΩ	ea	1	R8	DUWON ELEC. CO., LTD. KOREA
24	"	900 Ω	ea	1	R9	DUWON ELEC. CO., LTD. KOREA
25	"	90 Ω	ea	1	R10	DUWON ELEC. CO., LTD. KOREA

MATERIAL PART LIST

Model : M-3650D

Date : Apr. 22, 1994

NO	NAME	RATINGS & DIMENSION	UNIT	Q'TY	PART NO.	REMARKS
26	M.F.R 1/4W D	9 Ω	ea	1	R11	DUWON ELEC.CO., LTD. KOREA
27	M.N.W.R 1/2W	1 Ω	ea	1	R12	SUNG JU ELEC.CO. KOREA
28	M.N.P.R 10W	0.01 Ω	ea	1	R13	DAESUNG PRECISION CO. KOREA
29	M.F.R 1/4W F	130 KΩ	ea	1	R14	DUWON ELEC.CO., LTD. KOREA
30	"	990 KΩ	ea	1	R15	DUWON ELEC.CO., LTD. KOREA
31	"	10 KΩ	ea	1	R16	DUWON ELEC.CO., LTD. KOREA
32	"	75 Ω	ea	1	R17	DUWON ELEC.CO., LTD. KOREA
33	"	6.8 KΩ	ea	1	R18	DUWON ELEC.CO., LTD. KOREA
34	"	4 KΩ	ea	1	R19	DUWON ELEC.CO., LTD. KOREA
35	"	1.5 KΩ	ea	1	R20	DUWON ELEC.CO., LTD. KOREA
36	"	330 Ω	ea	1	R21	DUWON ELEC.CO., LTD. KOREA
37	M.F.R 1/2W J	1 KΩ	ea	1	R22	DUWON ELEC.CO., LTD. KOREA
38	C.F.R 1/4W J	330 KΩ MCR18J	ea	1	R23	ROHM KOREA CO.
39	"	2.2 MΩ MCR18J	ea	2	R24, 25	ROHM KOREA CO.
40	"	10 KΩ MCR18J	ea	3	R26, 28, 42	ROHM KOREA CO.
41	"	6.8 KΩ MCR18J	ea	1	R30	ROHM KOREA CO.
42	"	2.2 KΩ MCR18J	ea	1	R31	ROHM KOREA CO.
43	"	56 KΩ MCR18J	ea	2	R32, 71	ROHM KOREA CO.
44	"	7.5 KΩ MCR18J	ea	2	R33, 34	ROHM KOREA CO.
45	"	3.3 KΩ MCR18J	ea	2	R35, 36	ROHM KOREA CO.
46	"	470 Ω MCR18J	ea	1	R37	ROHM KOREA CO.
47	"	750 Ω MCR18J	ea	3	R38, 39, 72	ROHM KOREA CO.
48	"	47 KΩ MCR18J	ea	2	R40, 41	ROHM KOREA CO.
49	"	3.9 KΩ MCR18J	ea	1	R43	ROHM KOREA CO.
50	"	100 Ω MCR18J	ea	1	R44	ROHM KOREA CO.

M A T E R I A L P A R T L I S T

Model : M-3650D

Date : Apr. 22, 1994

NO	N A M E	RATINGS & DIMENSION	UNIT	Q'TY	PART NO.	REMARKS
51	C.F.R. 1/4W J	27 KΩ MCR18J	ea	1	R29	ROHM KOREA CO.
52	"	1 MΩ MCR18J	ea	6	R45~47,68,69 R27	ROHM KOREA CO.
53	"	1.8 MΩ MCR18J	ea	1	R50	ROHM KOREA CO.
54	"	1.5 KΩ MCR18J	ea	1	R51	ROHM KOREA CO.
55	"	220 KΩ MCR18J	ea	1	R52	ROHM KOREA CO.
56	"	100 KΩ MCR18J	ea	22	R53-66,70,74-80	ROHM KOREA CO.
57	"	20 KΩ MCR18J	ea	1	R67	ROHM KOREA CO.
58	"	3 KΩ MCR18J	ea	1	R81	ROHM KOREA CO.
59	REC. DIODE	1N4007	ea	5	D1 ~ D5	LITEON POWER SEMICONDUCTOR CO. TIWAN
60	SW. DIODE	KDS 193 / KDS 196	ea	9	D6 ~ D14	KOREA ELECTRONIC CO.,LTD.
61	E. C.	47 μF / 16 V	ea	2	C1,2	DAEWOO ELECTRONIC COMPONENTS CO.,LTD.KOREA
62	"	0.33 μF / 50 V	ea	2	C3,35	"
63	"	10 μF / 16 V	ea	4	C6,9,34,38	"
64	"	1 μF / 16 V	ea	2	C7,8	"
65	"	4.7 μF / 16 V	ea	5	C4,5,10,11,25	"
66	C. C.	223 GMC31CG223J50N1F	ea	2	C32,C33	LUCKY LTD. KOREA
67	"	100pF GMC31CG101J50N1F	ea	1	C12	LUCKY LTD. KOREA
68	"	220pF GMC21CG221J50N1F	ea	2	C15,16	LUCKY LTD. KOREA
69	"	104 MC31Y5V104Z50Z1F	ea	5	C17~19,36,39	LUCKY LTD. KOREA
70	"	33pF MC21CG330J50N1F	ea	3	C13,14,20	LUCKY LTD. KOREA
71	"	22pF GMC21CG220J50N1F	ea	3	C21,22,23	LUCKY LTD. KOREA
72	"	103 MC31X7R103K60N1M	ea	1	C31	LUCKY LTD. KOREA
73	"	472 GMC31X7R472K50N1F	ea	1	C37	LUCKY LTD. KOREA
74	SURGE CAPACITOR	102 / 1 KV	ea	1	C24	DONGEUN ELECT.CO. KOREA

MATERIAL PART LIST

Model : M-3650D

Date : Mar. 22, 1994

NO	NAME	RATINGS & DIMENSION	UNIT	Q'TY	PART NO.	REMARKS
76	M.P.F.C	224 / 63V	ea	2	C26,27	YUCHANG ELEC.CO.,LTD.KOREA
77	"	104 / 63V	ea	3	C28,29,30	YUCHANG ELEC.CO.,LTD.KOREA
78	CRYSTAL	38.400 KHz	ea	1	XT1	TAITIEN ELEC.CO.,LTD.TIWAN
79	"	4.1856 MHz	ea	1	XT2	ILSHIN COMMUNICATION LTD.
80	FUSE	S501 2A / 250V	ea	2	F1	BUSSMAN COOPER UK LIMITED
81	"	ABC 20A / 250V	ea	1	F2	BUSSMAN DIVISION COOPER INDUSTRIES U.S.A.
82	FUSE CLIP	1A3399-10	ea	2		BUSSMAN DIVISION LIMITED INDUSTRIES U.S.A.
83	"	1A1119-10	ea	2		BUSSMAN DIVISION LIMITED INDUSTRIES U.S.A.
84	BUZZER	PIEZO BUZZER	ea	1	BZ1	HUNPYUNG ELEC.CO. KOREA
85	C SOCKET PIN	M3850	ea	2		DAESUNG PRECISION CO.KOREA
86	PUSH SWITCH	2C2P SELFLOCK DLT2201	ea	1	SW1	DAILIM ELECTRONIC CO.KOREA
87	TR SOCKET	8 PIN ROUND	ea	1		HYUNGJIN IND.CO. KOREA
88	M.T.V.R	200 Ω 89PR200	ea	1	VR1	BECKMAN IND.JAPAN LTD.
89	M.G.V.R	200 Ω 631HF01-200B	ea	1	VR2	RAPID ELEC.CO.,LTD.KOREA
90	M.D.V.R	300 KΩ 631V01-500K	ea	1	VR3	RAPID ELEC.CO.,LTD.KOREA
91	"	500 Ω 631V01-500B	ea	1	VR4	RAPID ELEC.CO.,LTD.KOREA
92	POSISTOR	1.5 KΩ B59886	ea	1	PTC1	SIEMENS COMPONENTS PTE.LTD
93	JACK TERMINAL	M3850	ea	4		ILSHIM PRECISION CO.KOREA
94	LCD	LS-0725A	ea	1		SAMSUNG DIPLAY DEVICES CO.,LTD. KOREA
95	LCD BASE	M3850	ea	1		DAEHAN PRECISION CO.,LTD
96	LCD WINDOW	"	ea	1		DAEHAN PRECISION CO.,LTD
97	GROUND POLE	M36CR	ea	1		ILSHIM PRECISION CO.
98	SHIELD PAPER	M36D	ea	1		SUNGWON IND.CO.
99	SELECTOR SHAFT	M3270	ea	1		DAEHAN PRECISION CO.,LTD
100	SELECTOR KNOB	M36D	ea	1		DAEHAN PRECISION CO.,LTD

MATERIAL PART LIST

Model : M-3650D

Date : APR. 22, 1994

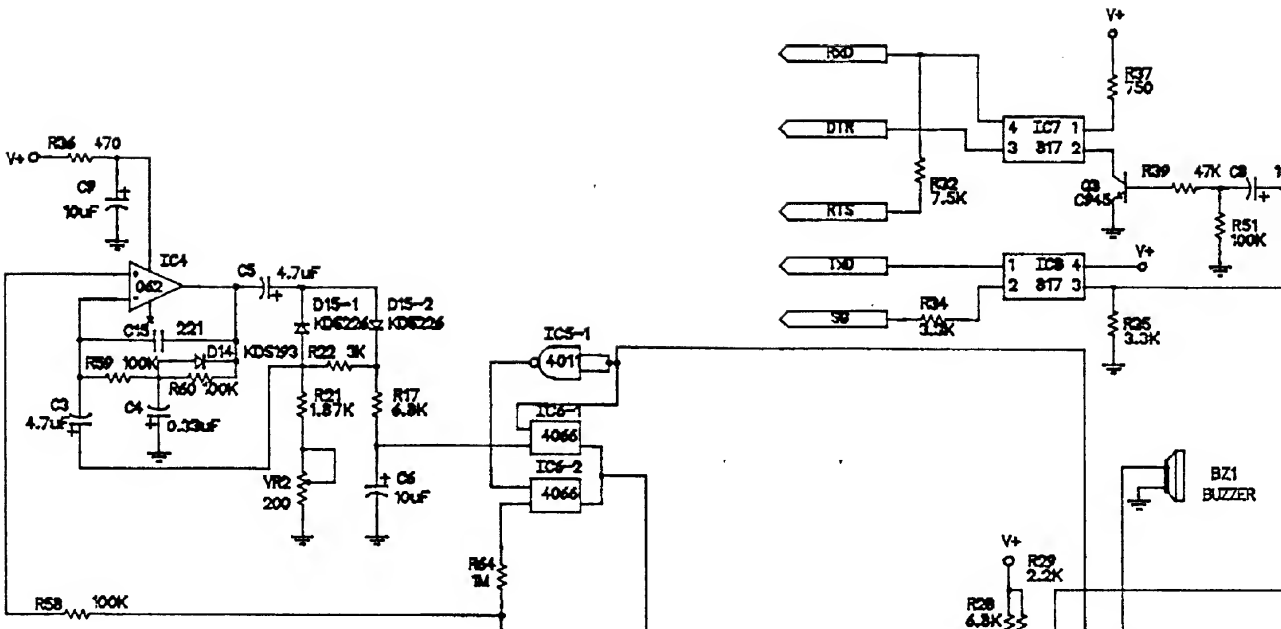
NO	NAME	RATINGS & DIMENSION	UNIT	Q'TY	PART NO.	REMARKS
101	P.C.B	M3650D 73.0 x 155.5 x 1.6t	ea	1		KIJCO INDUSTRIAL CO., LTD. KOREA DONGYANG PRODUCTS CO., LTD.
102	"	M3650D 69.0 x 77.5 x 1.6t	ea	1		
103	CONNECTOR PIN	90 m/m	ea	33		SAMNHA PRECISION CO.
104	IC. SOCKET	11 PIN (1/2 20 PIN)	e	1		WCOYCUNG INDUSTRIAL, LTD.
105	"	7 PIN	ea	1		WCOYCUNG INDUSTRIAL, LTD.
106	"	5 PIN	ea	1		WCOYCUNG INDUSTRIAL, LTD.
107	"	4 PIN	ea	2		WCOYCUNG INDUSTRIAL, LTD.
108	"	2 PIN	ea	1		WCOYCUNG INDUSTRIAL, LTD.
109	BATTERY SNAP	M36CR (180 mm)	ea	1		WONJIN IND.CO. KOREA
110	FRONT CASE	M36D 94HB	ea	1		LUCKY ,LTD. KOREA
111	BACK CASE	M3850 94HB	ea	1		LUCKY ,LTD. KOREA
112	POWER S/W KNOB	M3270	ea	1		LUCKY ,LTD. KOREA
113	BATTERY COVER	M3850	ea	1		LUCKY ,LTD. KOREA
114	STAND	M3270	ea	1		LUCKY ,LTD. KOREA
115	S/W RUBBER GUIDE	M36D	ea	1		LUCKY ,LTD. KOREA
116	ENCLOSE MOLDER	C-3345				DAEHAN PRECISION CO. KOREA
117	KEY RUBBER	M3270 (3 Key)	ea	1		KYUNG WON IND.CO. KOREA
118	"	M36D (2 Key)	ea	1		KYUNG WON IND.CO. KOREA
119	GASKET	M3650D	ea	1		SUNG WON INC.CO. KOREA
120	E RING	φ 5.0	ea	1		A-JU CO.
121	BALL	φ 4.0 (φ 3.96)	ea	2		DUCK SHIN CO.
122	COIL SPRING	φ 3.85x7.5Lx6TURN	ea	1		HYUP SUNG IND.CO. - KOREA
123	"	φ 3.85x6.0Lx5TURN	ea	1		HYUP SUNG IND.CO. KOREA
124	INTER CONNECTOR	M3850 48.0 X 18.8 X 1.7	ea	1		YU IL ELECTRONICS CO.
125	"	M36D 69.5 X 24.0 X 1.7	ea	1		YU IL ELECTRONICS CO.

M A T E R I A L P A R T L I S T

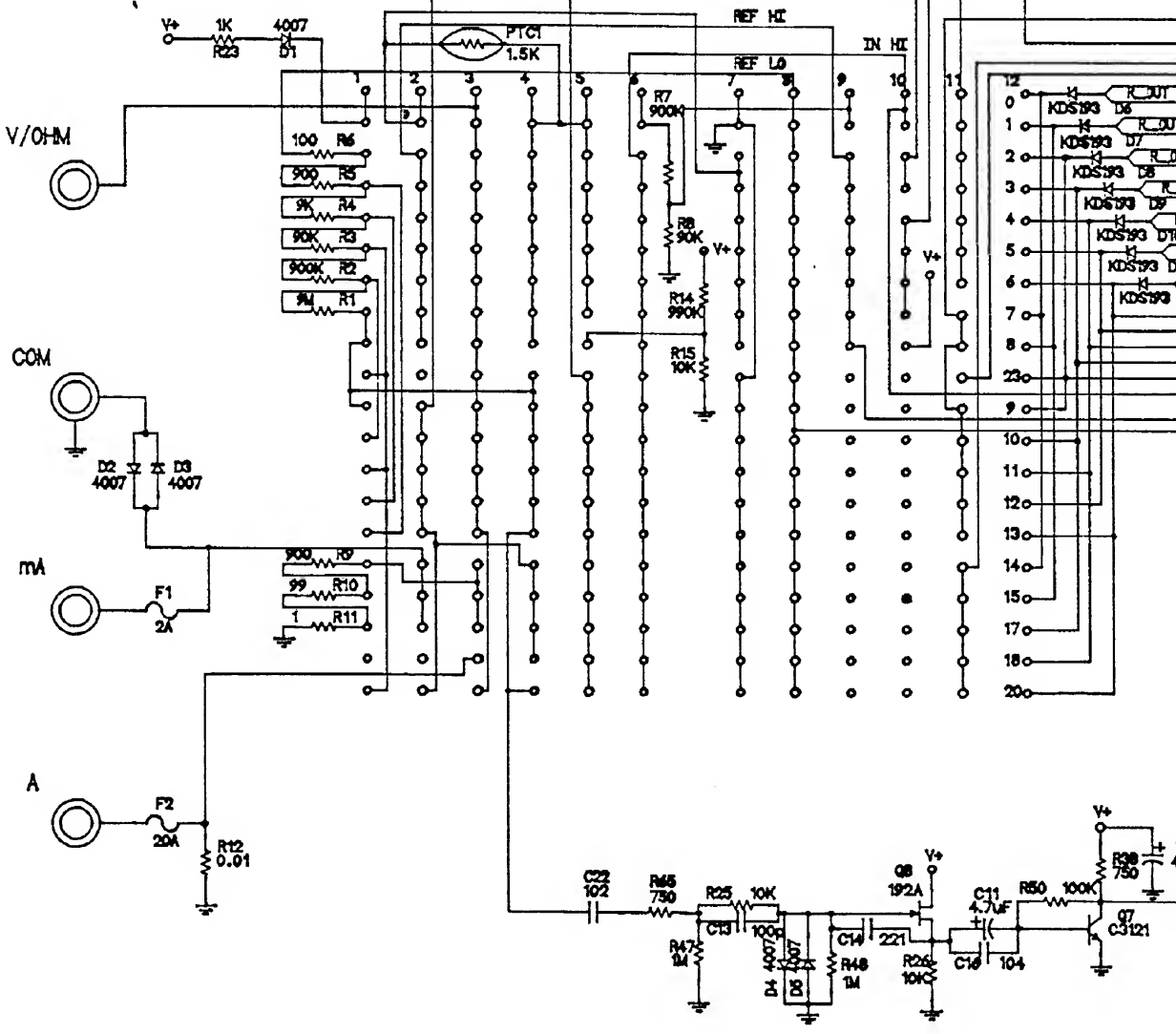
Model : M-3650D

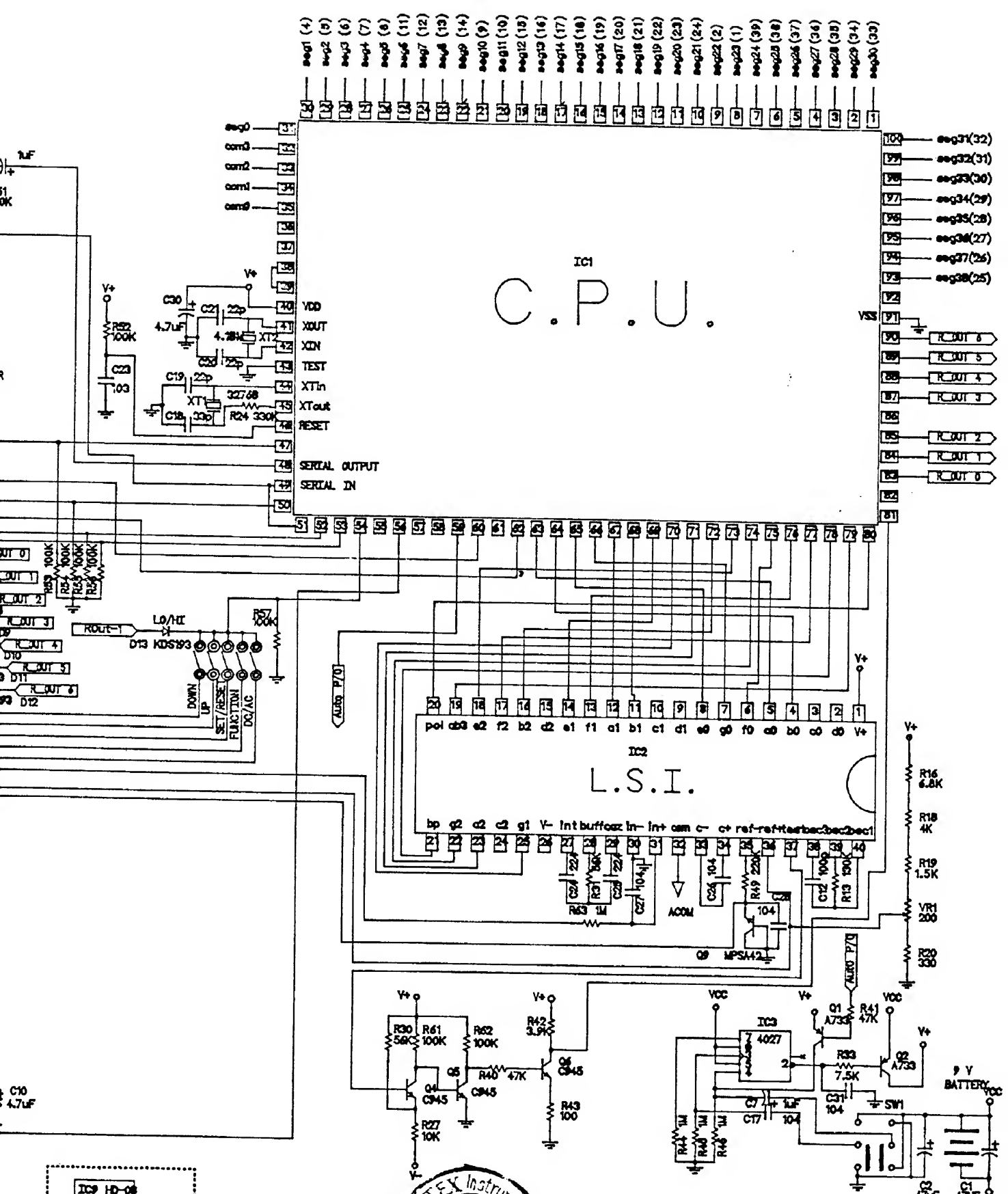
Date : PAR. 22, 1994

NO	N A M E	RATINGS & DIMENSION	UNIT	Q'TY	PART NO.	REMARKS
126	SILICON RUBBER	M36D 21.5 X 18.3 X 1.7	ea	1		YU IL ELECTRONICS
127	SCREW	M36CR (M3.0 x 21.0)	ea	4		SUNG GA IND.CO. KOREA
128	"	M36CR (M2.6 x 10.5)	ea	1		SUNG GA IND.CO. KOREA
129	"	M3 x 4.0 (MACHINE)	ea	6		SUNG GA IND.CO. KOREA
130	"	M2 x 5.0 (TAPPING)	ea	4		SUNG GA IND.CO. KOREA
131	"	M36CR (M2.6 x 4)	ea	1		SUNG GA IND.CO. KOREA
132	"	M2.6 x 7.0	ea	3		SUNG GA IND.CO.
133	"	M2.6 x 3.0	ea	2		SUNG GA IND.CO.
134	S/W PANNEL	M3650D	ea	1		SUNGWON IND.CO.
135	AIR BAG	M3850	ea	1		YU SUNG IND.CO.
136	CONNECTOR WAFER	3024-06AHPB	ea	1		MOLEX JAPAN CO.,LTD
137	RUBBER FOOT	M36B	ea	1		KYUNG WCN IND.CO.
138	"	M3850	ea	1		KYUNG WCN IND.CO.
139	SELECT SHAFT	M3270	ea	1		IL SHIM PRECIHION CO.
140	FRONT CASE INSERT A	φ 5.0 x 6.4	ea	2		IL SHIM PRECIHION CO.
141	FRONT CASE INSERT B	φ 5.0 x 10.4	ea	2		IL SHIM PRECIHION CO.
142	BACK CASE INSERT	M36CR (φ 4.0 x 5.0)	ea	1		IL SHIM PRECIHION CO.
143	LCD BASE INSERT	φ 5.0 x 10.0	ea	4		IL SHIM PRECIHION CO.
144	PCB SUPPORT	φ 4.0 x 7.0	ea	3		IL SHIM PRECIHION CO.
145	JACK TERMIANL MOLD	M3850	ea	4		IL SHIM PRECIHION CO.
146	BATTERY	9 V 6F22(FC-1)	ea	1		STC CORPORATION KOREA
147	TEST LEAD	1500 V	pair	1		JIN AH IND.CO. KOREA
148	RS - 232C CABLE	6 PIN (OPTION)	ea	1		JIN AH IND.CO. KOREA
149	JUMP WIRE	8.5 Cm STYLE: 1007 SIZE : AWG26	ea	1		HAN YOUNG ELECTRONICS



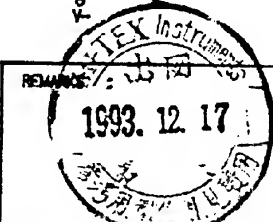
RANGE
1. continuity
2. diode
3. 200 ohm
4. 2 K ohm
5. 20 K ohm
6. 200 K ohm
7. 2 Mohm
8. 20 Mohm
9. 200 Mohm
10. FREQUENCY
11. 200 mV
12. 2 V
13. 20 V
14. 200 V
15. 1000 V
16. 200 uA
17. 2 mA
18. 200 mA
19. 20 A
20. LOGIC





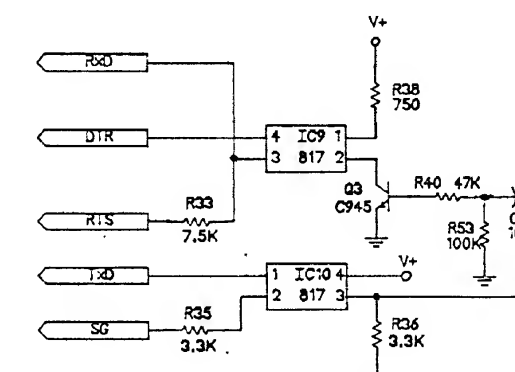
C.P.U.

L.S.I.

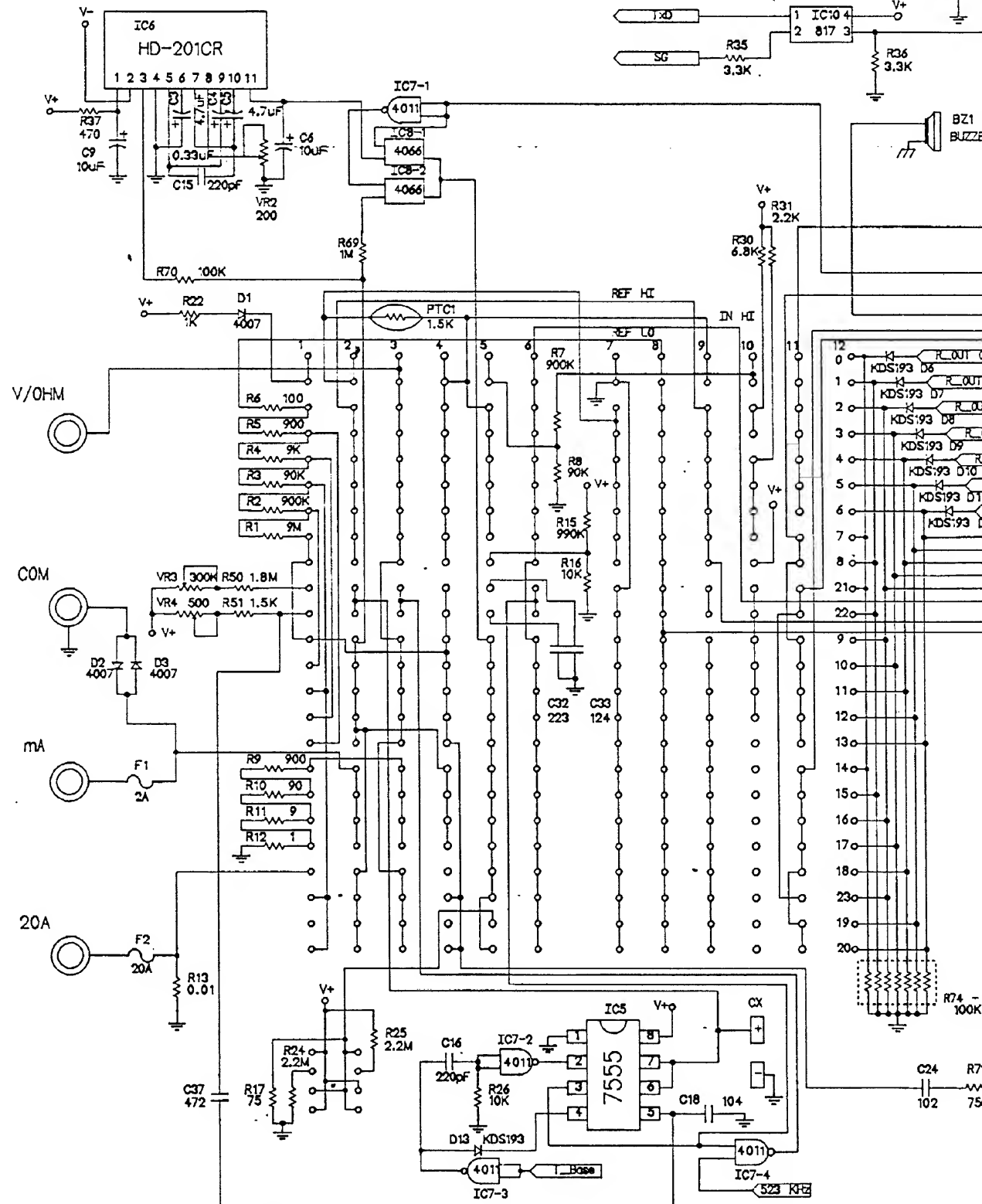


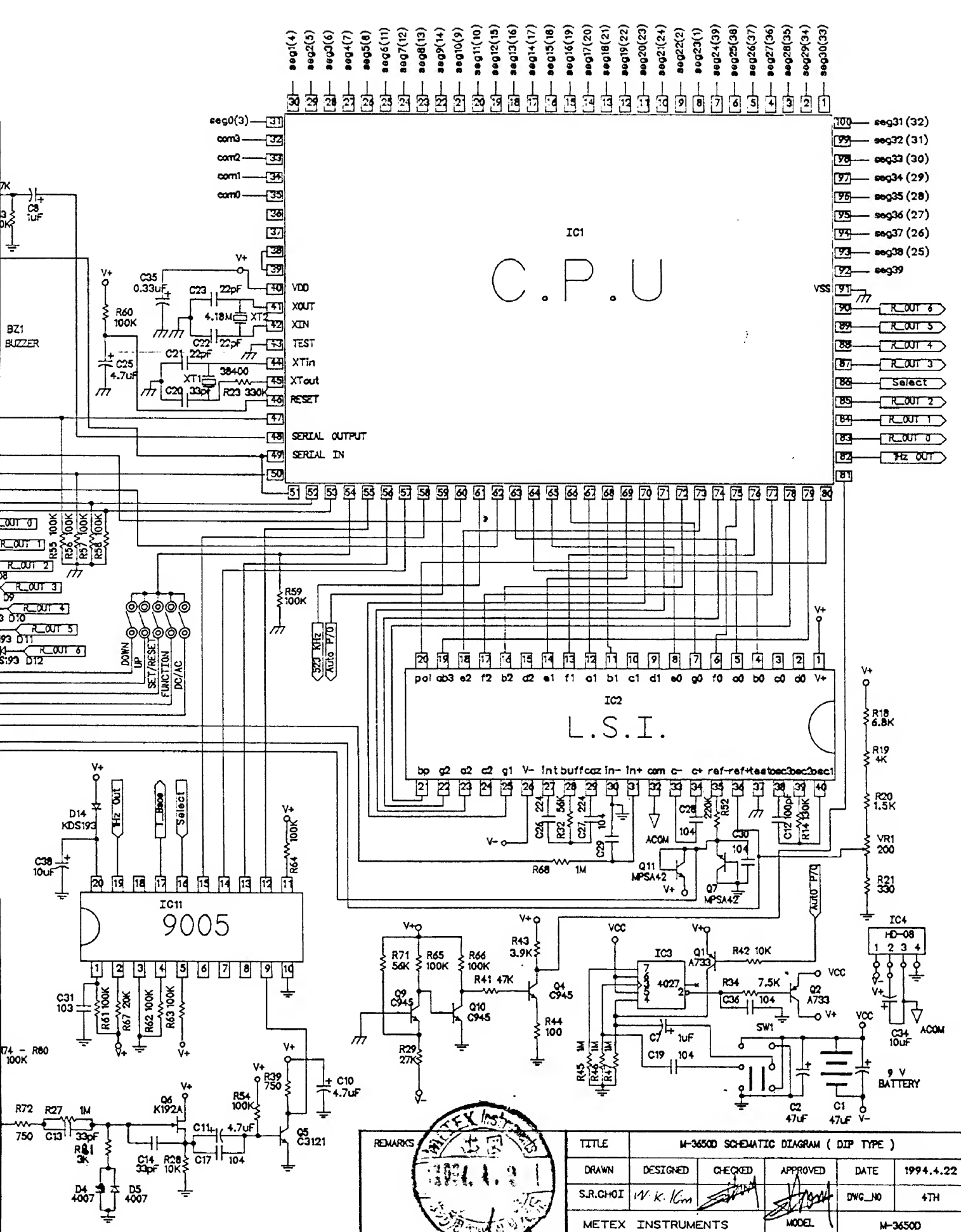
TITLE					
M-3610 SCHEMATIC DIAGRAM					
DRAWN	DESIGNED	CHECKED	APPROVED	DATE	1993.12.14
M.K.K. M.K.K.					2nd
METEX INSTRUMENTS			MODEL		M-36100

1	2	3	4	5	6	7	8	9	10	11	12	13	14	15	16	17	18	19	20	21	22	23	24	25
LOGIC	A-H	D-H	RCU	g1	b1	f7	a7	g2	b2	g3	b3	FREQ	f4	a4	f5	a5	f6	a6	Hz	F	Hz	F		
-	TEMP	MEV	AC	R-H	bc	e1	c1	g7	b7	e2	c2	e3	c3	U2	g4	b4	g5	b5	g6	b6	k	k	DX	n
+	FREQ	CMR	MAX	DUAL	u1	P1	d1	e7	c7	P2	d2	P3	d3	bc2	e4	c4	e5	c5	e6	c6	M	M	dB	(U ₁)
HFE	CAP	COIL	REL	COM	f1	a1	d7	f2	a2	f3	a3	(C ₂)	P4	d4	P5	a5	P6	d6	(C ₂)	°C	(P ₃)	P		
26	27	28	29	30	31	32	33	34	35	36	37	38	39	40	41	42	43	44	45	46	47	48	49	50
A	H	40	39	32	31	24	23	16	15	8	7	0	COM							COM				
(s1)(n2)(t2)		38	33	30	25	22	17	14	9	6	1		COM ₂						COM ₂					
(t)(m2)(p3)		37	34	29	26	21	18	13	10	5	2		COM ₃						COM ₃					
(u ₂)	er	36	35	28	27	20	19	12	11	4	3		COM ₄						COM ₄					



RANGE
1. continuity
2. close
3. 200 ohm
4. 2 K ohm
5. 20 Kohm
6. 200 Kohm
7. 2 Mohm
8. 20 Mohm
9. 200 Mohm
10. CAP LO
11. CAP HI
12. 200 mV
13. 2 V
14. 20 V
15. 200 V
16. 1000 V
17. 200 uA
18. 2 mA
19. 20 mA
20. 200 mA
21. 20 A
22. FREQ
23. HFE
24. LOGIC





REMARKS

METEX INSTRUMENTS

DATE: 1994.4.22

DRAWN: S.R.CHOI

DESIGNED: W.K.Kim

CHECKED: [Signature]

APPROVED: [Signature]

DATE: 1994.4.22

DWG_NO: 4TH

MODEL: M-3650D