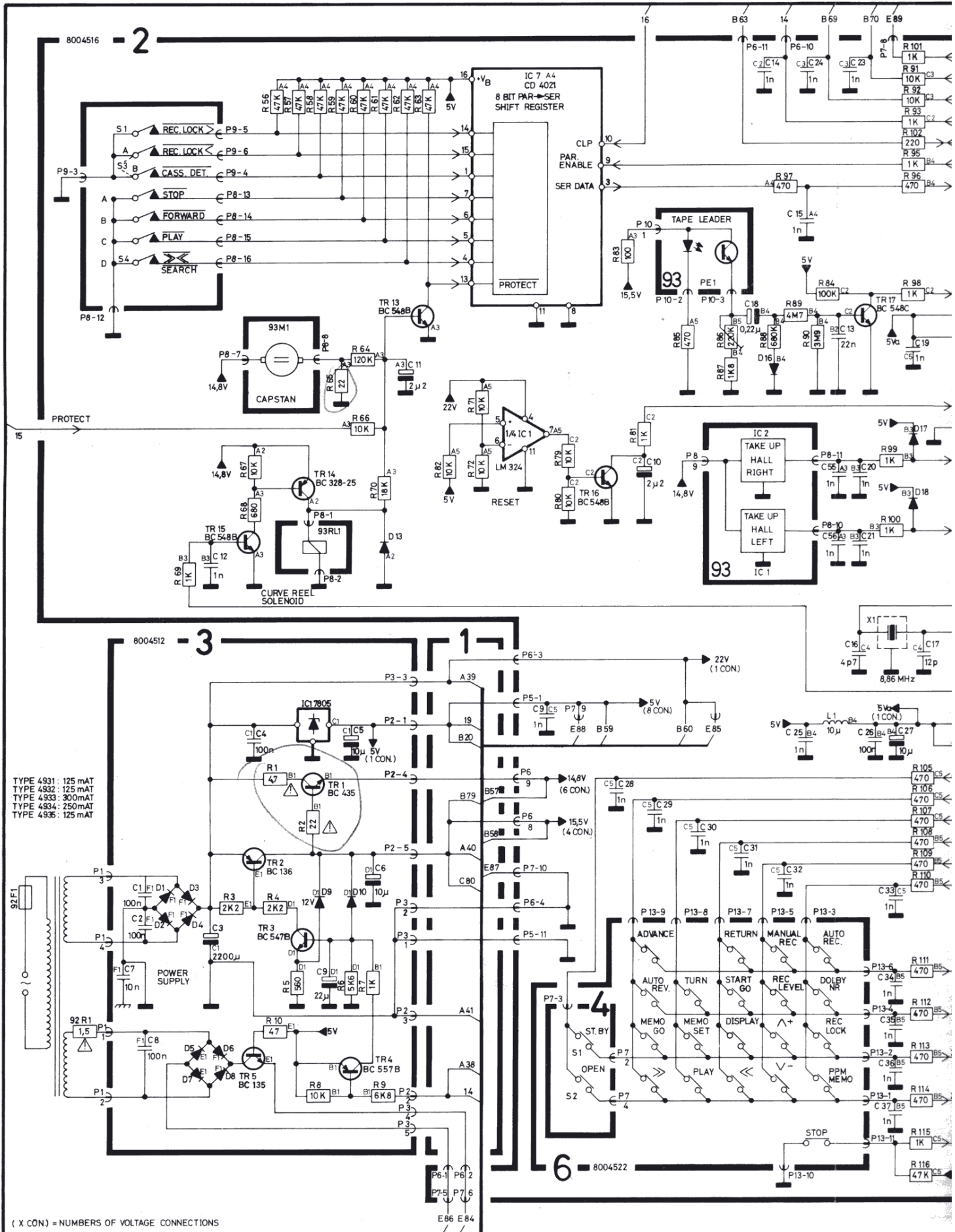
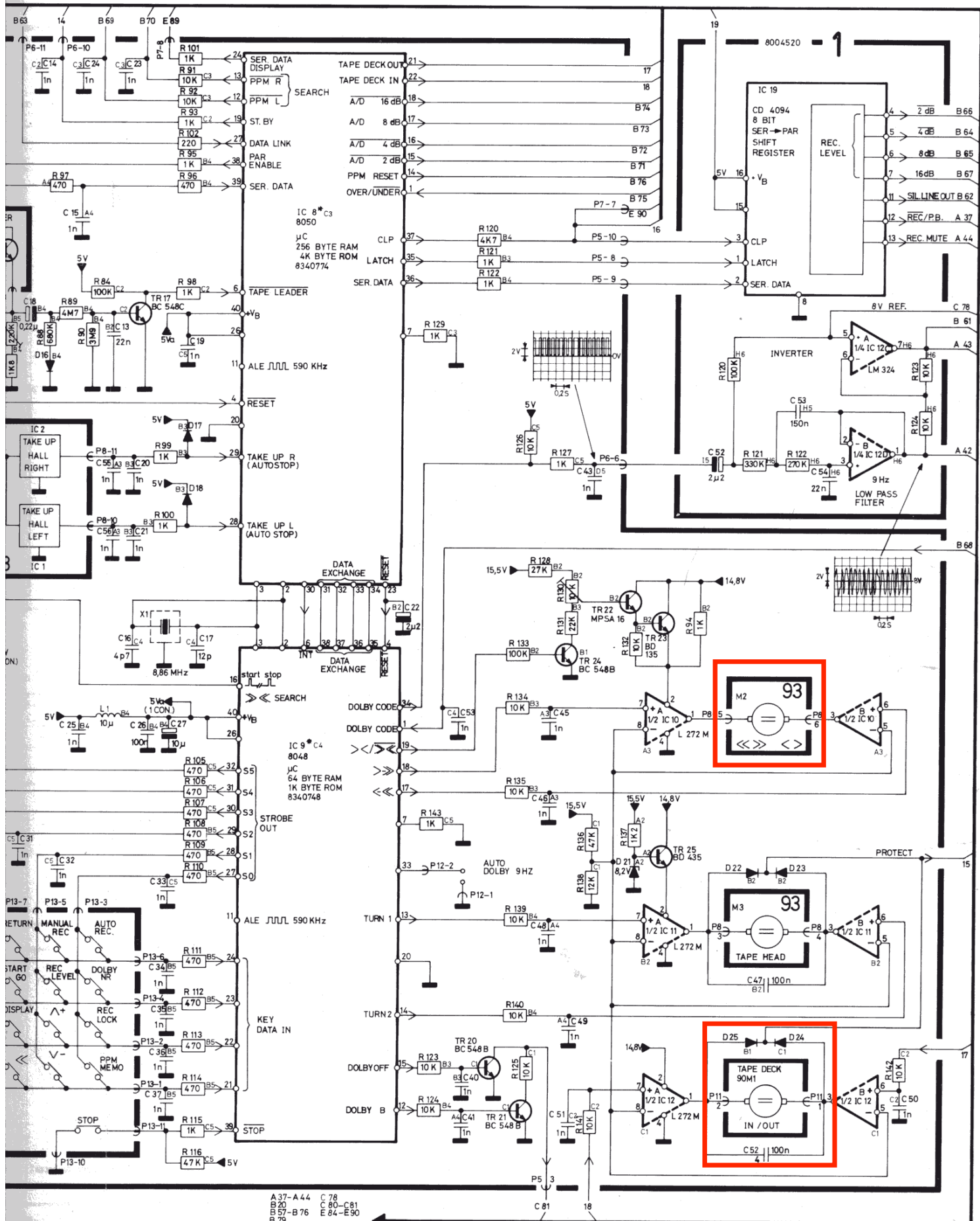


DIAGRAM D (Control Circuits, Power Supply)





A 37-A 44 C 78  
 B 20 C 80-C 81  
 B 57-B 76 E 84-E 90  
 B 79