

XTREME 2 (S/N starting from PL)

Portable Bluetooth Speaker with passive bass radiators, 5200 mAh battery for 15 hours of playtime and charging of other devices through dual USB, and IPX7 waterproof.

SKU: : JBLXTREME2BLKAM, JBLXTREME2BLUAM, JBLXTREME2GRNAM, JBLXTREME2BLKEU, JBLXTREME2BLUEU, JBLXTREME2GRNEU, JBLXTREME2BLKAS, JBLXTREME2BLUAS, JBLXTREME2GRNAS, JBLXTREME2BLKCN, JBLXTREME2BLUCN, JBLXTREME2GRNCN, JBLXTREME2BLKJN, JBLXTREME2BLUJN, JBLXTREME2GRNJN, JBLXTREME2BLKBR, JBLXTREME2BLUBR, JBLXTREME2GRNBR, JBLXTREME2BLKIN, JBLXTREME2BLUIN, JBLXTREME2GRNIN, JBLXTREME2REDAM, JBLXTREME2SQUADAM, JBLXTREME2REDEU, JBLXTREME2SQUADEU, JBLXTREME2REDAS, JBLXTREME2SQUADAS, JBLXTREME2REDCN, JBLXTREME2SQUADCN, JBLXTREME2REDJN, JBLXTREME2SQUADJN, JBLXTREME2REDBR, JBLXTREME2SQUADBR, JBLXTREME2REDIN, JBLXTREME2SQUADIN




Contents

Technical Specifications	3
Safety Instruction, Warning & Notes.....	4
Software Upgrade Procedure	6
Tools and FW for upgrading preparation:.....	7
Upgrading Procedure:.....	7
Set Block Diagram	11
Schematic Diagram – IO Board	12
Schematic Diagram – Key Board.....	13
Schematic Diagram – LED Board	14
Schematic Diagram – Main Board	15
Schematic Diagram – USB Board	23
PCB Layout – Main Board	24
PCB Layout – Key board	25
PCB Layout – Led board	25
PCB Layout – I/O board.....	26
PCB Layout – USB board	26
Mechanical Exploded View	27
Packaging Exploded View	30
Spare Parts List	31
Disassembly Instruction	34
Service Info	46
Revision List	47

Technical Specifications

Bluetooth version:	4.2
Support:	A2DP 1.3 AVRCP 1.6 HFP 1.6
Transducers:	2.75-inch woofer x2; 1-inch Tweeter x2
Output power:	2x20W (AC mode); 2 x10W (Battery mode)
Frequency response:	23~20KHz
Signal-to-noise ratio:	82dB
Power supply:	19V/3A
Battery type:	Lithium-ion polymer (7.2V, 5200mAh)
Battery charge time:	<3.5H hours
Music playing time:	up to 15 hours (varies by volume level)
Bluetooth transmitter power:	0-8dBm
Bluetooth transmitter frequency range:	2.4 – 2.48 GHz
Bluetooth transmitter modulation:	GFSK, 8DPSK, $\pi/4$ DQPSK
Dimensions (H x W x D):	289.4 x 131.5 x 125.3mm
Weight:	2.4Kg

Important Safety Instructions

1. Read these instructions.
2. Keep these instructions.
3. Heed all warnings.
4. Follow all instructions.
5. Do not use this apparatus near water.
6. Clean only with a dry cloth.
7. Do not block any ventilation openings. Install in accordance with the manufacturer's instructions.
8. Do not install near any heat sources such as radiators, heat registers, stoves or other apparatus (including amplifiers) that produce heat.
9. Do not defeat the safety purpose of the polarized or grounding-type plug. A polarized plug has two blades with one wider than the other. A grounding-type plug has two blades and a third grounding prong. The wide blade or the third prong is provided for your safety. If the provided plug does not fit into your outlet, consult an electrician for replacement of the obsolete outlet.
10. Protect the power cord from being walked on or pinched, particularly at plugs, convenience receptacles and the point where they exit from the apparatus.
11. Only use attachments/accessories specified by the manufacturer.
12. Use only with the cart, stand, tripod, bracket or table specified by the manufacturer or sold with the apparatus. When a cart is used, use caution when moving the cart/apparatus combination to avoid injury from tip-over. 
13. Unplug this apparatus during lightning storms or when unused for long periods of time.
14. Refer all servicing to qualified service personnel. Servicing is required when the apparatus has been damaged in any way, such as power supply cord or plug is damaged, liquid has been spilled or objects have fallen into the apparatus, or the apparatus has been exposed to rain or moisture, does not operate normally or has been dropped.
15. Do not expose this apparatus to dripping or splashing and ensure that no objects filled with liquids, such as vases, are placed on the apparatus.
16. To completely disconnect this apparatus from the AC Mains, disconnect the power supply cord plug from the AC receptacle.
17. The mains plug of the power supply cord shall remain readily operable.
18. Do not expose batteries to excessive heat such as sunshine, fire or the like.

For Products That Transmit and Receive RF Energy:

FCC Regulations (USA Only)

FCC Information For Users

This device complies with Part 15 of the FCC Rules. Operation is subject to the following two conditions: (1) This device may not cause harmful interference; and (2) this device must accept any interference received, including interference that may cause undesired operation.

Radio and Television Interference

This equipment has been tested and found to comply with the limits for a Class B digital device, pursuant to Part 15 of the FCC Rules. These limits are designed to provide reasonable protection against harmful interference in a residential installation. This equipment generates, uses and can radiate radio frequency energy and, if not installed and used in accordance with the instructions, may cause harmful interference to radio communications. However, there is no guarantee that interference will not occur in a particular installation. If this equipment does cause interference to radio or television reception, which can be determined by turning the equipment off and then on, the user is encouraged to try to correct the interference by one or more of the following measures:

- Increase the separation between the equipment and receiver.
- Connect the equipment to a different outlet so that the equipment and receiver are on different branch circuits.
- Consult the dealer or an experienced radio/TV technician for help.

NOTE: Changes or modifications not expressly approved by Harman could void the user's authority to operate the equipment.

IC Statement and Warning (Canada Only)

This Class B digital apparatus complies with Canadian ICES-003. Cet appareil numérique de la classe B est conforme à la norme NMB-003 du Canada.

For Canadian Model

This Class B digital apparatus complies with Canadian ICES-003.

Modèle pour les Canadiens

Cet appareil numérique de la classe B est conforme à la norme NMB-003 du Canada.

For Products with Radio Receivers That Can Use an External Antenna:

CATV or Antenna Grounding

If an outside antenna or cable system is connected to this product, be certain that it is grounded so as to provide some protection against voltage surges and static charges. Section 810 of the National Electrical Code, ANSI/NFPA No. 70-1984, provides information with respect to proper grounding of the mast and supporting structure, grounding of the lead-in wire to an antenna discharge unit, size of grounding conductors, location of antenna discharge unit, connection to grounding electrodes and requirements of the grounding electrode.

Note to CATV System Installer:

This reminder is provided to call the CATV (cable TV) system installer's attention to article 820-40 of the NEC, which provides guidelines for proper grounding and, in particular, specifies that the cable ground shall be connected to the grounding system of the building, as close to the point of cable entry as possible.

For CD/DVD/Blu-ray Disc™ Players:

CLASS 1 LASER PRODUCT
KLASSE 1 LASER PRODUKT
LUOKAN 1 LASER LAITE
KLASS 1 LASER APPARAT
CLASSE 1 PRODUIT LASER

CAUTION

RISK OF ELECTRIC SHOCK. DO NOT OPEN.



THE LIGHTNING FLASH WITH AN ARROWHEAD SYMBOL, WITHIN AN EQUILATERAL TRIANGLE, IS INTENDED TO ALERT THE USER TO THE PRESENCE OF UNINSULATED "DANGEROUS VOLTAGE" WITHIN THE PRODUCT'S ENCLOSURE THAT MAY BE OF SUFFICIENT MAGNITUDE TO CONSTITUTE A RISK OF ELECTRIC SHOCK TO PERSONS.



THE EXCLAMATION POINT WITHIN AN EQUILATERAL TRIANGLE IS INTENDED TO ALERT THE USER TO THE PRESENCE OF IMPORTANT OPERATING AND MAINTENANCE (SERVICING) INSTRUCTIONS IN THE LITERATURE ACCOMPANYING THE PRODUCT.

WARNING: TO REDUCE THE RISK OF FIRE OR ELECTRIC SHOCK, DO NOT EXPOSE THIS APPARATUS TO RAIN OR MOISTURE.

Caution:

This product uses a laser system. To prevent direct exposure to the laser beam, do not open the cabinet enclosure or defeat any of the safety mechanisms provided for your protection. DO NOT STARE INTO THE LASER BEAM. To ensure proper use of this product, please read the owner's manual carefully and retain it for future use. Should the unit require maintenance or repair, please contact your local Harman Kardon service center. Refer servicing to qualified personnel only.

For Products That Include Batteries:



Instructions for Users on Removal and Disposal of Used Batteries.

CAUTION

Risk of explosion if battery is incorrectly replaced. Replace only with the same or equivalent type.

Alkaline batteries are considered nonhazardous. Rechargeable batteries (i.e., nickel cadmium, nickel metal-hydride, lithium and lithium-ion) are considered hazardous household materials and may pose an unnecessary health and safety risk.

In the European Union and other locations, it is illegal to dispose of any battery with household trash. All batteries must be disposed of in an environmentally sound manner. Contact your local waste management officials for information regarding the environmentally sound collection, recycling and disposal of used batteries.

To remove the batteries from your equipment or remote control, reverse the procedure described for inserting batteries in the owner's manual.

For products with a built-in battery that lasts for the lifetime of the product, removal may not be possible for the user. In this case, recycling or recovery centers handle the dismantling of the product and the removal of the battery. If, for any reason, it becomes necessary to replace such a battery, this procedure must be performed by authorized service centers.

ELECTROSTATICALLY SENSITIVE (ES) DEVICES

Some semiconductor (solid state) devices can be damaged easily by static electricity. Such components commonly are called Electrostatically Sensitive (ES) Devices. Examples of typical ES devices are integrated circuits and some field effect transistors and semiconductor "chip" components.

The following techniques should be used to help reduce the incidence of component damage caused by static electricity.



1. Immediately before handling any semiconductor component or semiconductor-equipped assembly, drain off any electrostatic charge on your body by touching a known earth ground. Alternatively, obtain and wear a commercially available discharging wrist strap device, which should be removed for potential shock reasons prior to applying power to the unit under test.
2. After removing an electrical assembly equipped with ES devices, place the assembly on a conductive surface such as aluminum foil, to prevent electrostatic charge build-up or exposure of the assembly.
3. Use only a grounded-tip soldering iron to solder or unsolder ES devices.
4. Use only an anti-static solder removal device. Some solder removal devices not classified as "anti-static" can generate electrical charges sufficient to damage ES devices.
5. Do not use freon-propelled chemicals. These can generate electrical charge sufficient to damage ES devices.
6. Do not remove a replacement ES device from its protective package until immediately before you are ready to install it. (Most replacement ES devices are packaged with leads electrically shorted together by conductive foam, aluminum foil or comparable conductive material.)
7. Immediately before removing the protective material from the leads of a replacement ES device, touch the protective material to the chassis or circuit assembly into which the device will be installed.

CAUTION : Be sure no power is applied to the chassis or circuit, and observe all other safety precautions.

8. Minimize bodily motions when handling unpackaged replacement ES devices. (Otherwise harmless motion such as the brushing together of your clothes fabric or the lifting of your foot from a carpeted floor can generate static electricity sufficient to damage an ES devices.

PRODUCT SAFETY NOTICE

Each precaution in this manual should be followed during servicing.

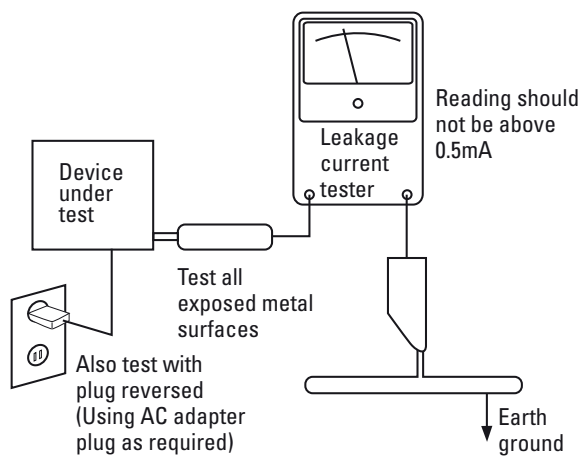
Components identified with the IEC symbol  in the parts list are of special significance to safety. When replacing a component identified with , use only the replacement parts designated, or parts with the same ratings or resistance, wattage, or voltage that are designated in the parts list in this manual. Leakage-current or resistance measurements must be made to determine that exposed parts are acceptably insulated from the supply circuit before returning the product to the customer.

SAFETY PRECAUTIONS

The following check should be performed for the continued protection of the customer and service technician.

LEAKAGE CURRENT CHECK

Measure leakage current to a known earth ground (water pipe, conduit, etc.) by connecting a leakage current tester between the earth ground and all exposed metal parts of the appliance (input/output terminals, screwheads, metal overlays, control shaft, etc.). Plug the AC line cord of the appliance directly into a 120V AC 60Hz outlet and turn the AC power switch on. Any current measured must not exceed 0.5mA.



AC Leakage Test

ANY MEASUREMENTS NOT WITHIN THE LIMITS OUTLINED ABOVE ARE INDICATIVE OF A POTENTIAL SHOCK HAZARD AND MUST BE CORRECTED BEFORE RETURNING THE APPLIANCE TO THE CUSTOMER.

Software Upgrade Procedure

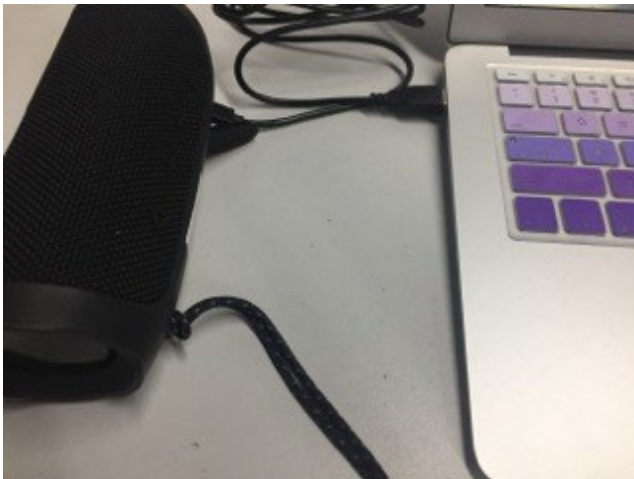
Tools and FW for upgrading preparation:

1. PC with Win7 or Win 10
2. Micro USB cable
3. **Power Adaptor**
4. Pstool (software tool)
5. Green:"Xtreme2_**Green**.psr", Black:"Xtreme2_**Black**.psr", Blue:"Xtreme2_**Blue**.psr"flie

Upgrading Procedure:

(1) Set up Pstool on PC (pls check attached "BlueSuite_2_6_2_632.exe" or latest version)

(2) Connect USB cable to PC



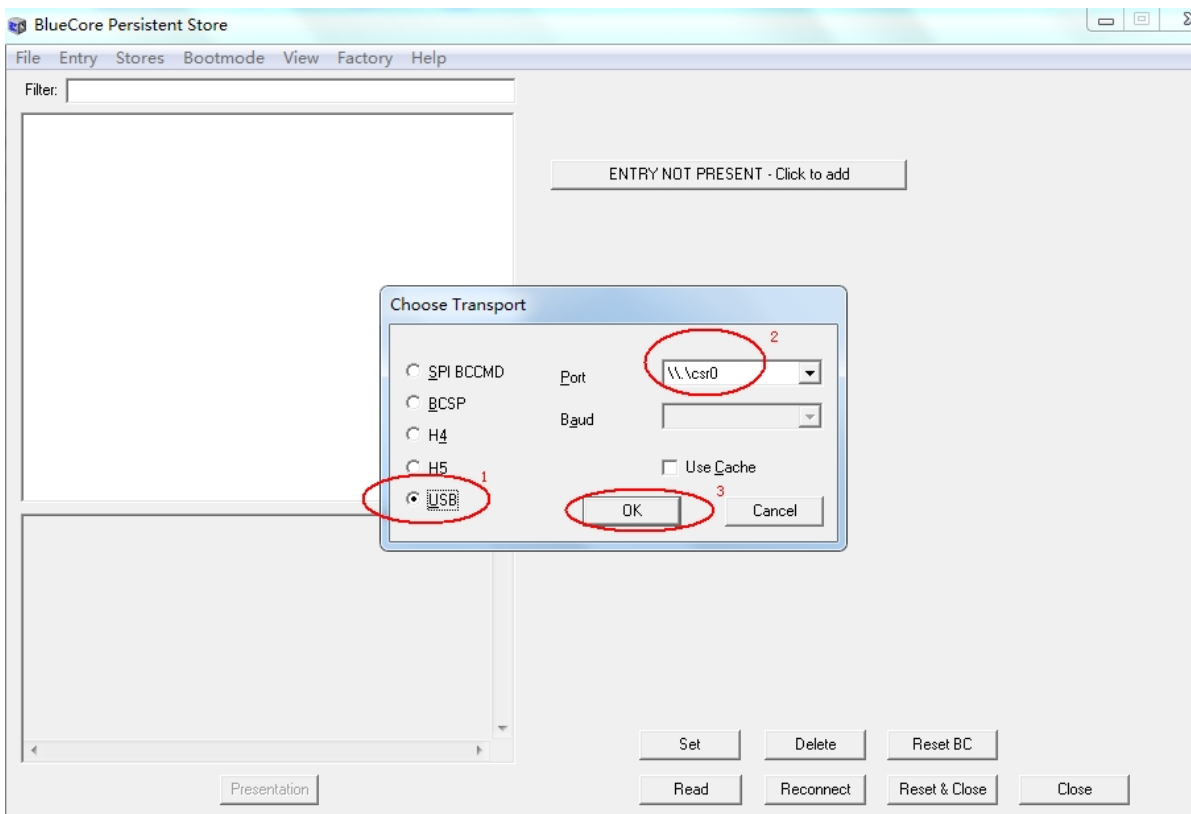
(3) Power on unit , **attach power adaptor** and then press "volume -" and "play" and hold on 10 seconds



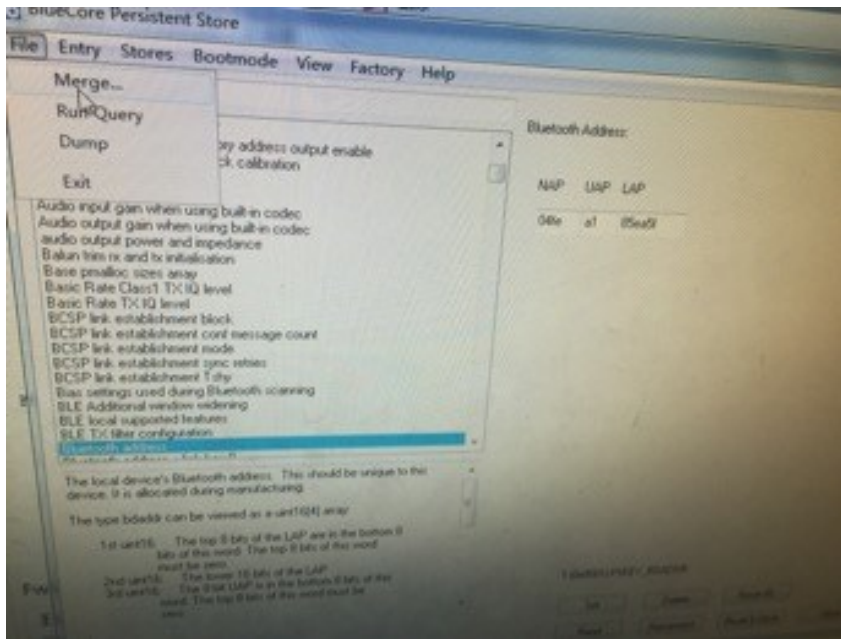
(4)Open "Pstool" on PC



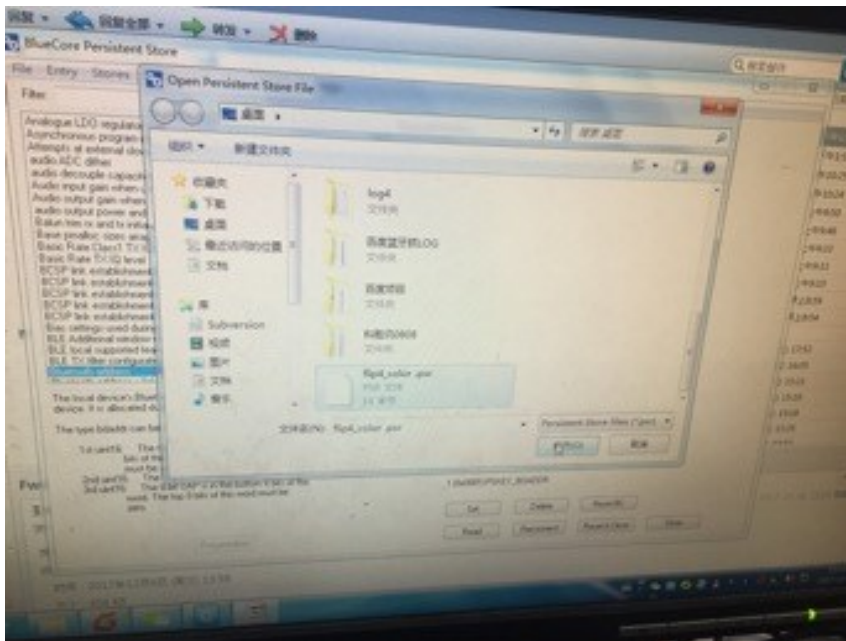
(5)Set Pstool as below photo, and then select "OK"



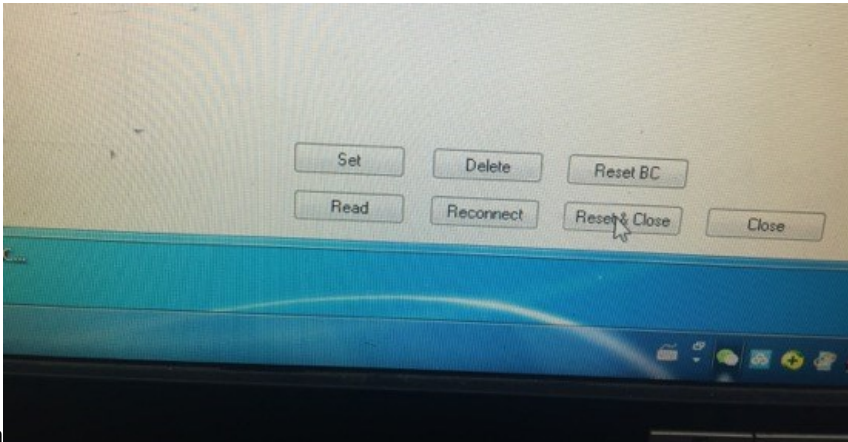
(6) Select "File" → "Merge".



(7) Select Green: "Xtreme2_Green.psr", Black: "Xtreme2_Black.psr", Squad: "Xtreme2_Squad.psr" file which the color you need to setting.

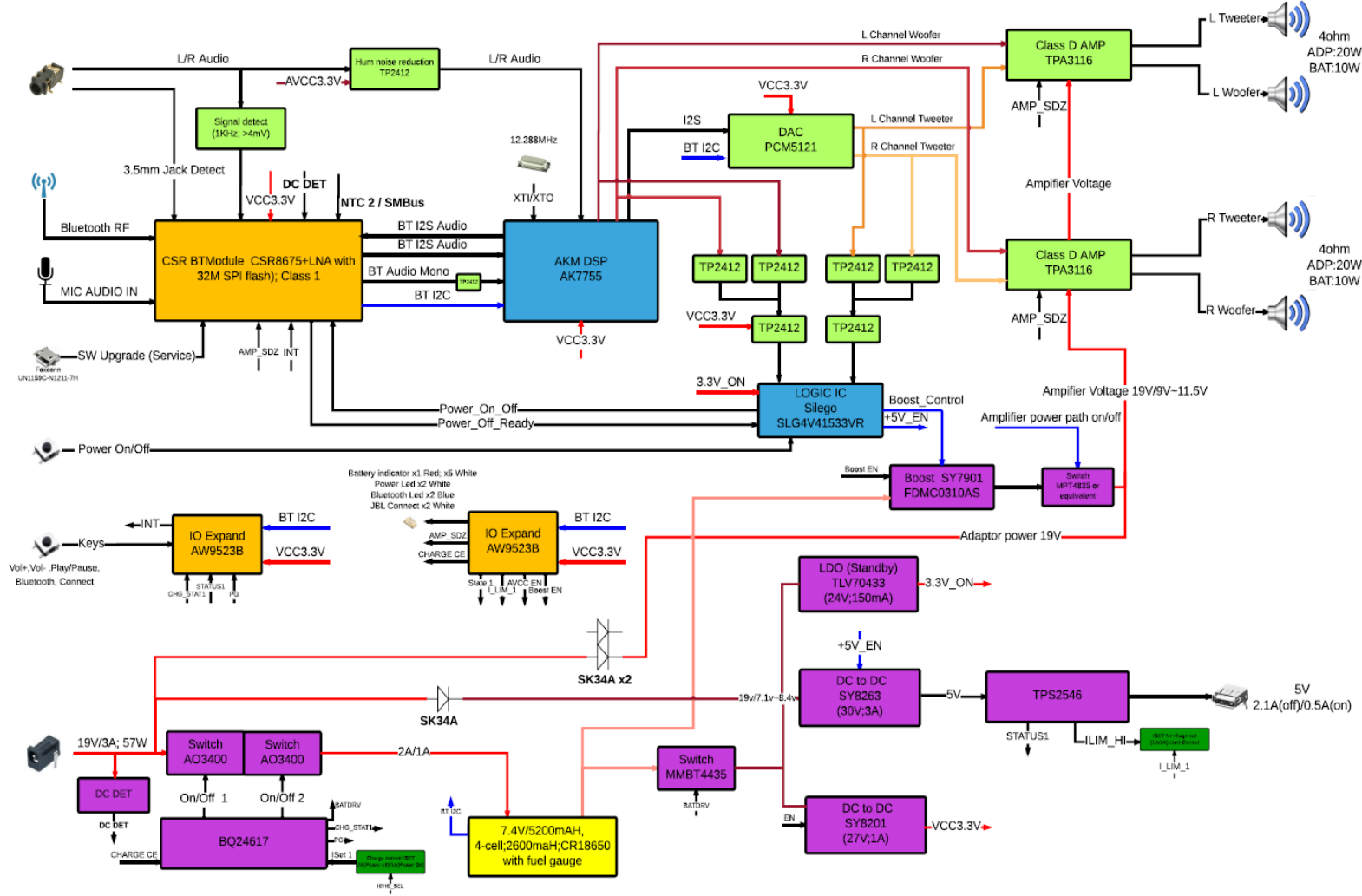


(8) Select Reset&Close

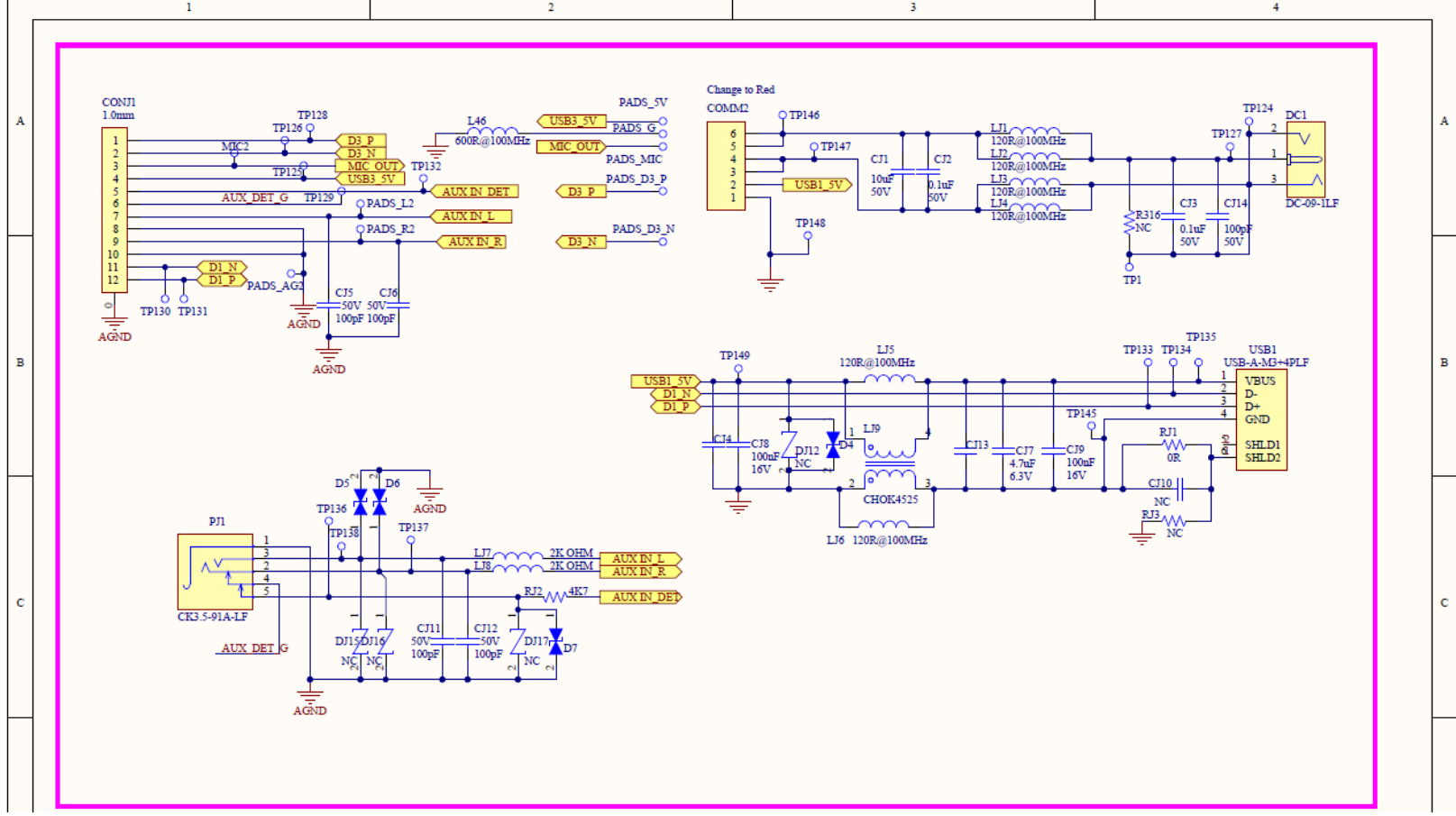


(9) Unit connect with APP to check color code has been changed or not.

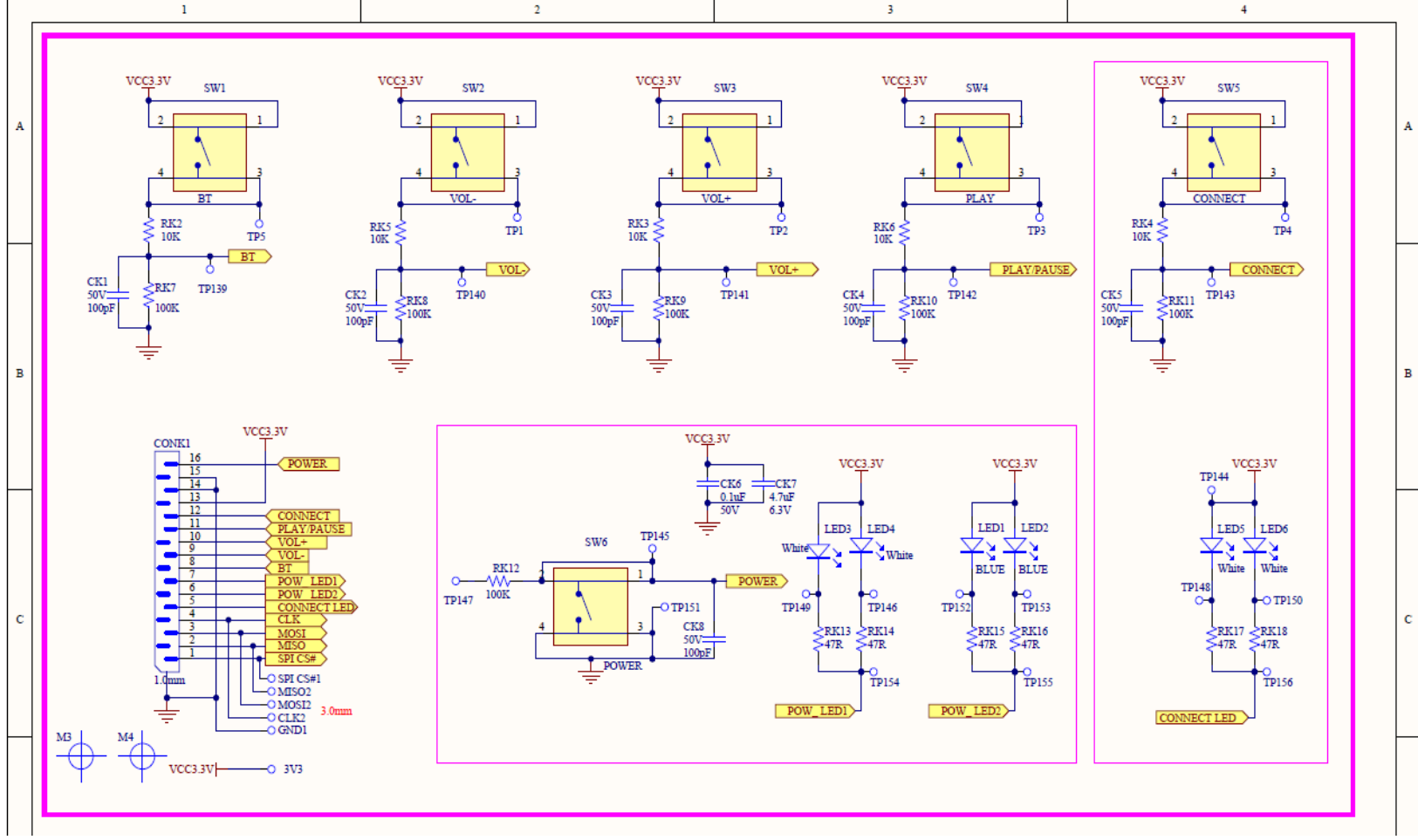
SET BLOCK DIAGRAM



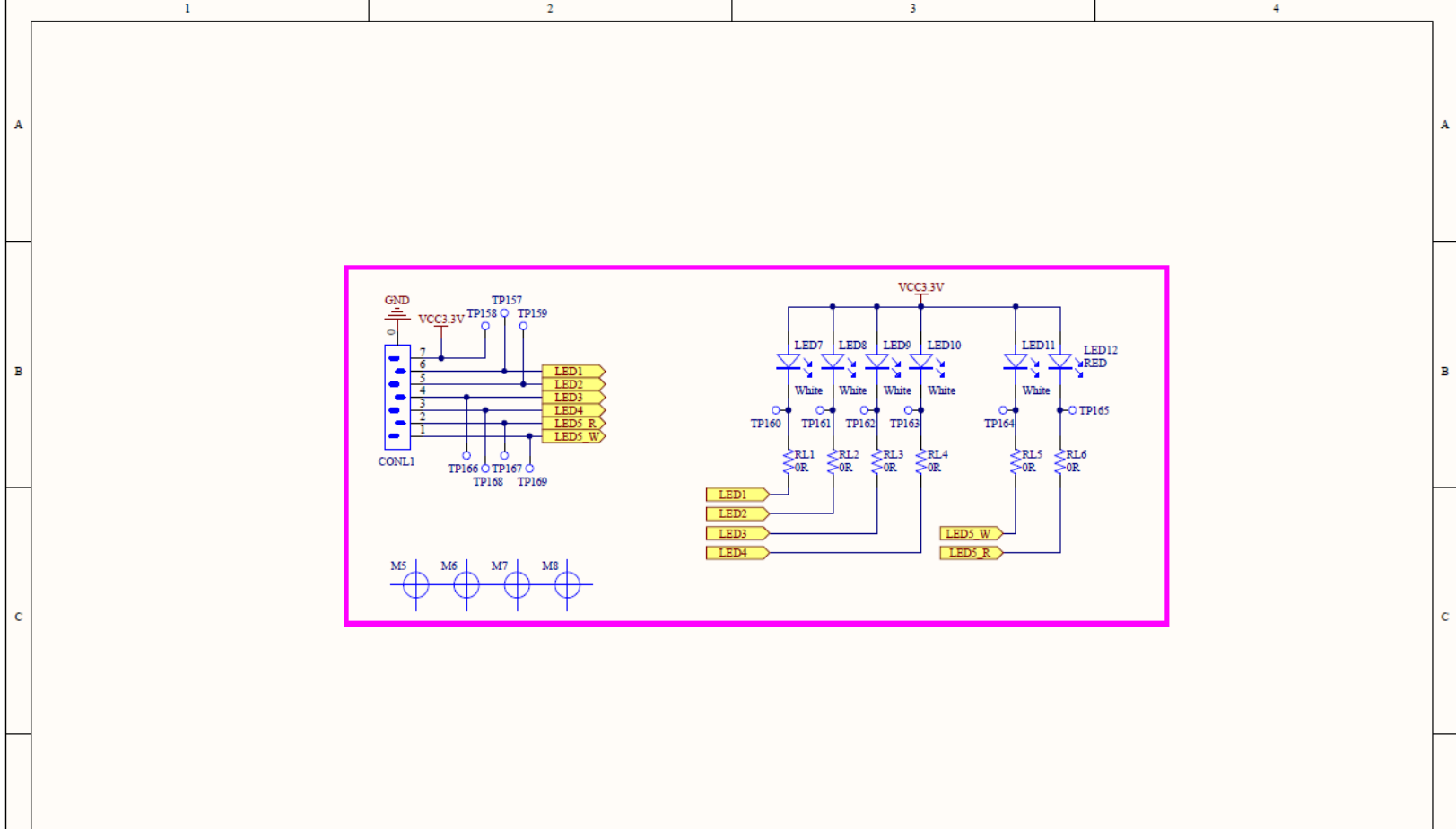
Schematic Diagram – IO Board



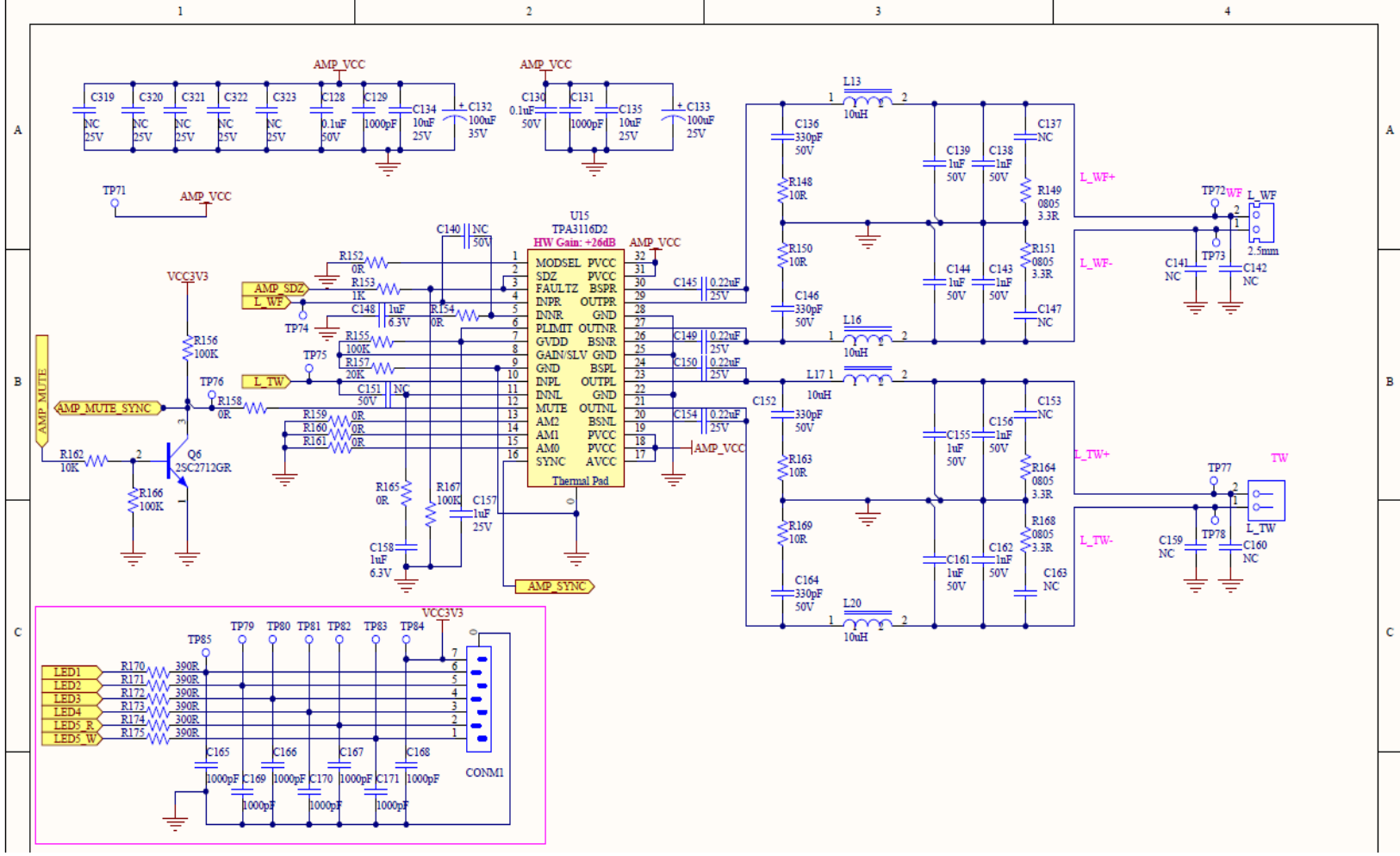
Schematic Diagram – Key Board

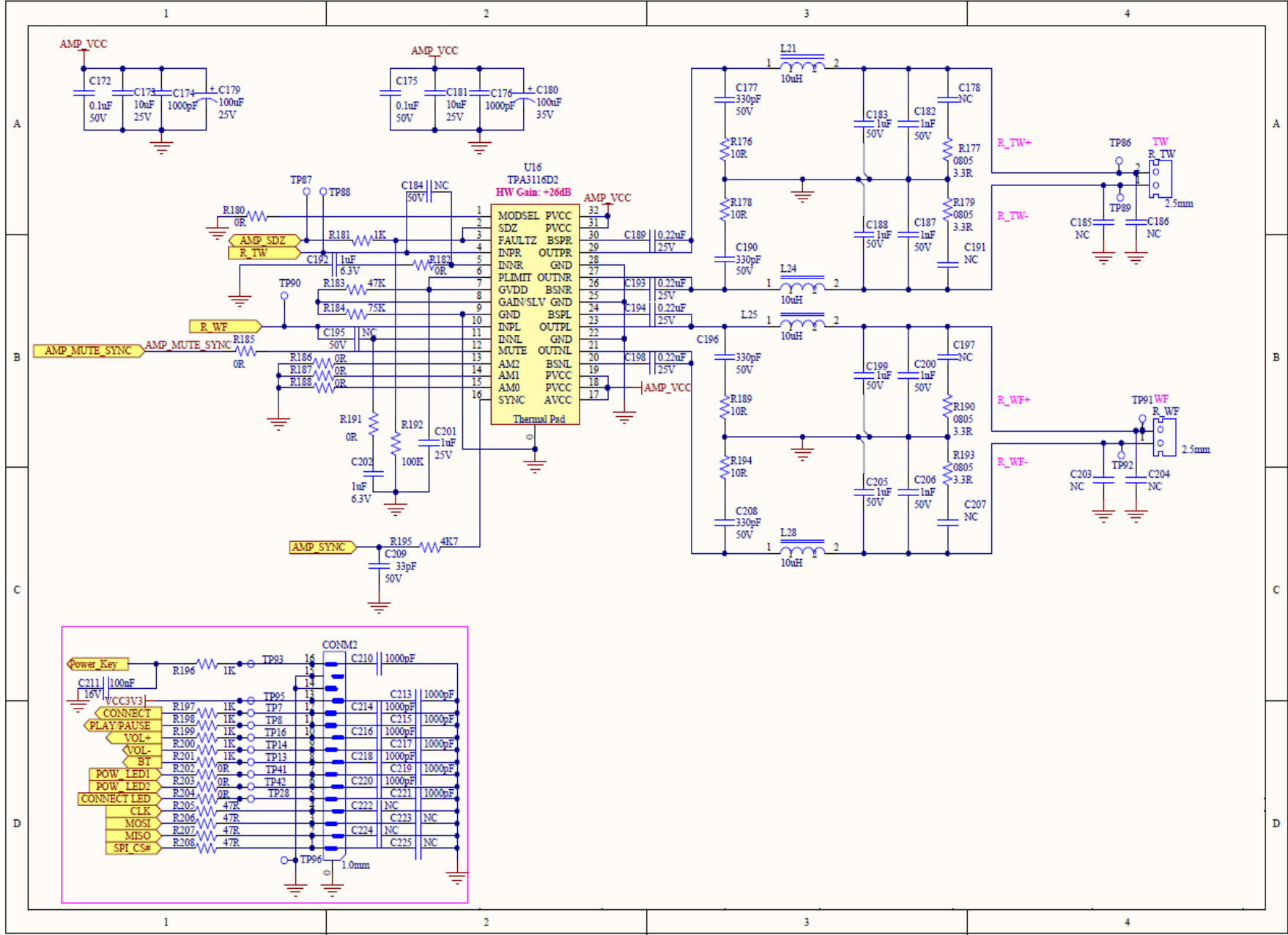


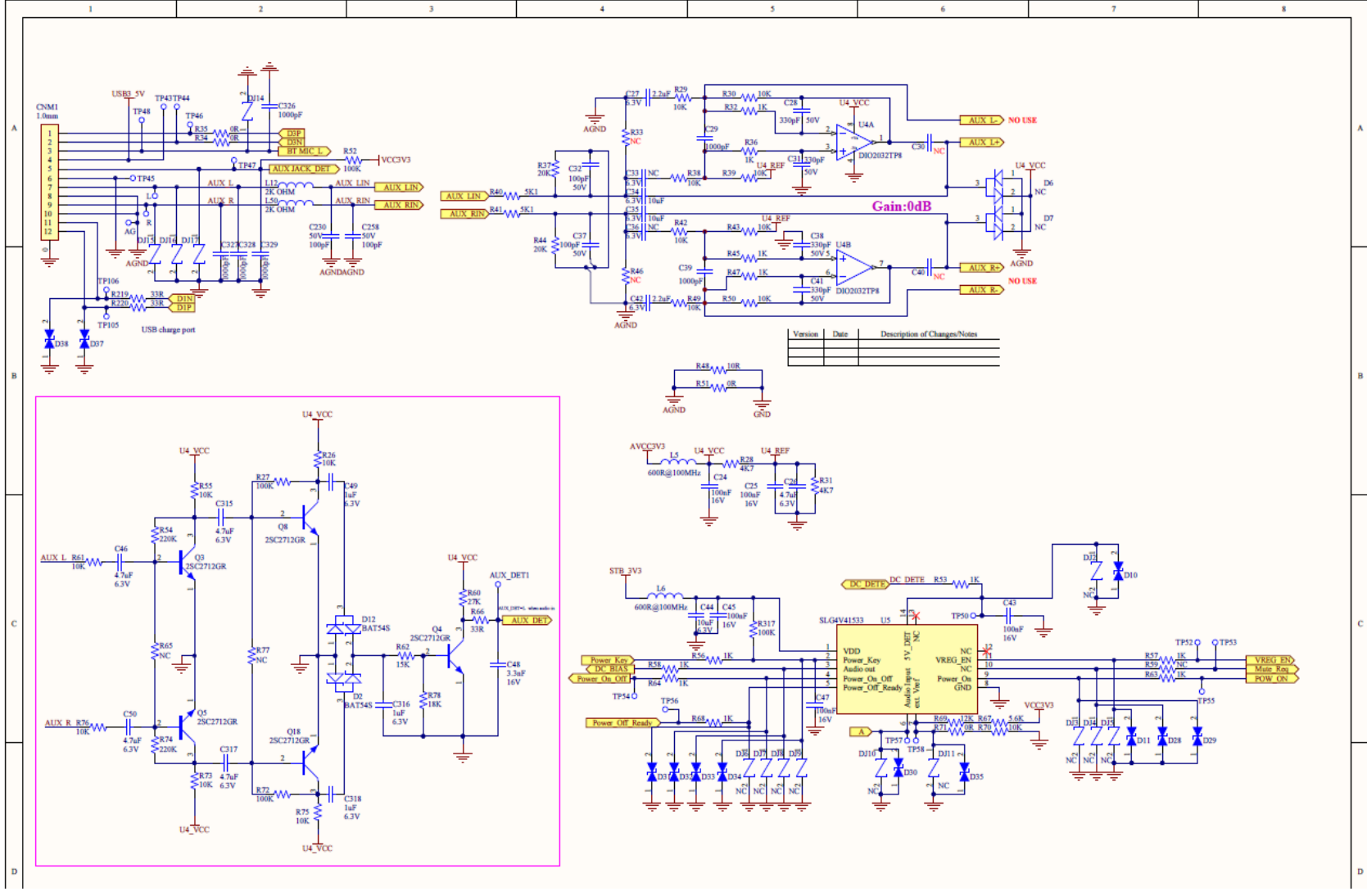
Schematic Diagram – LED Board

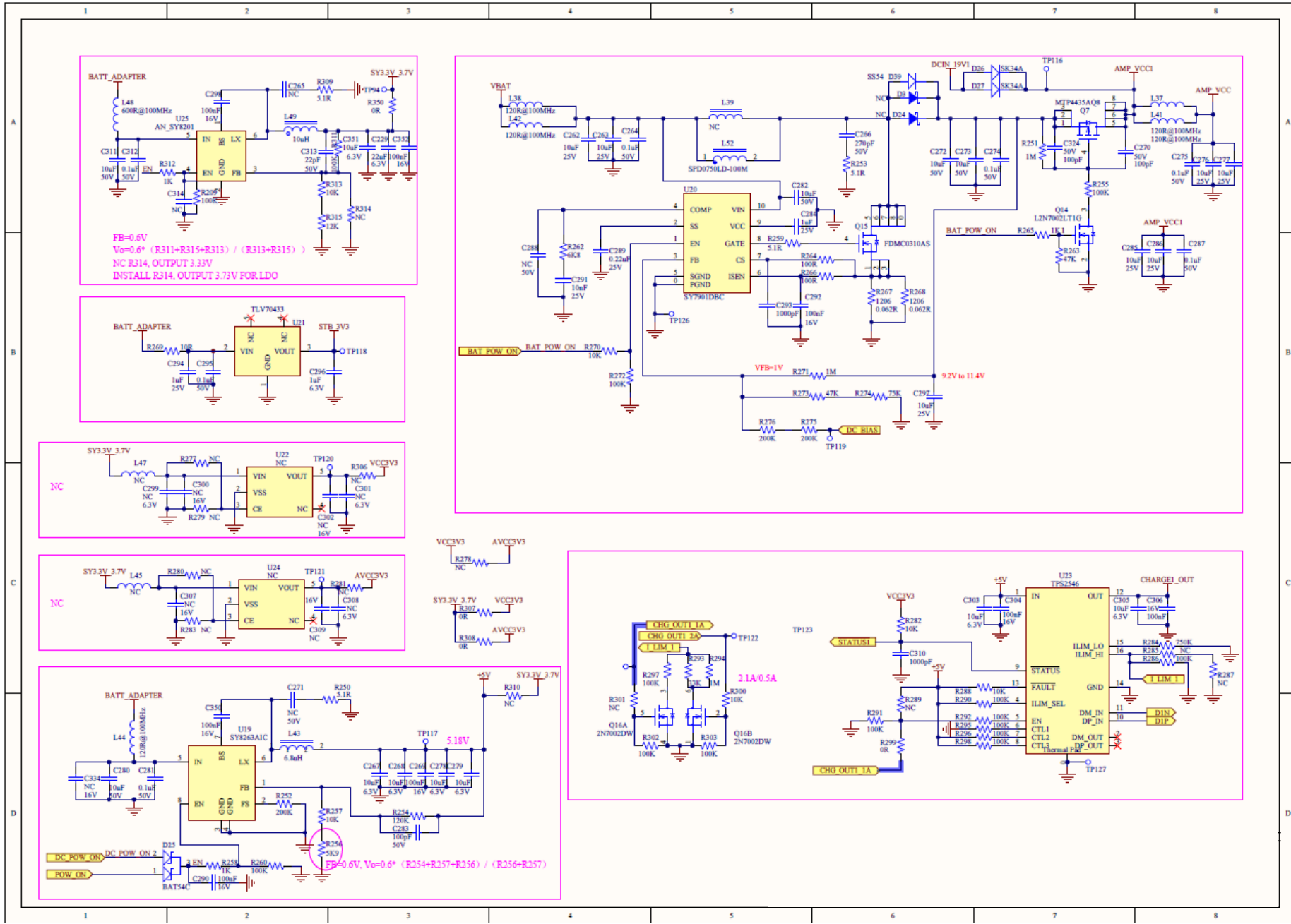


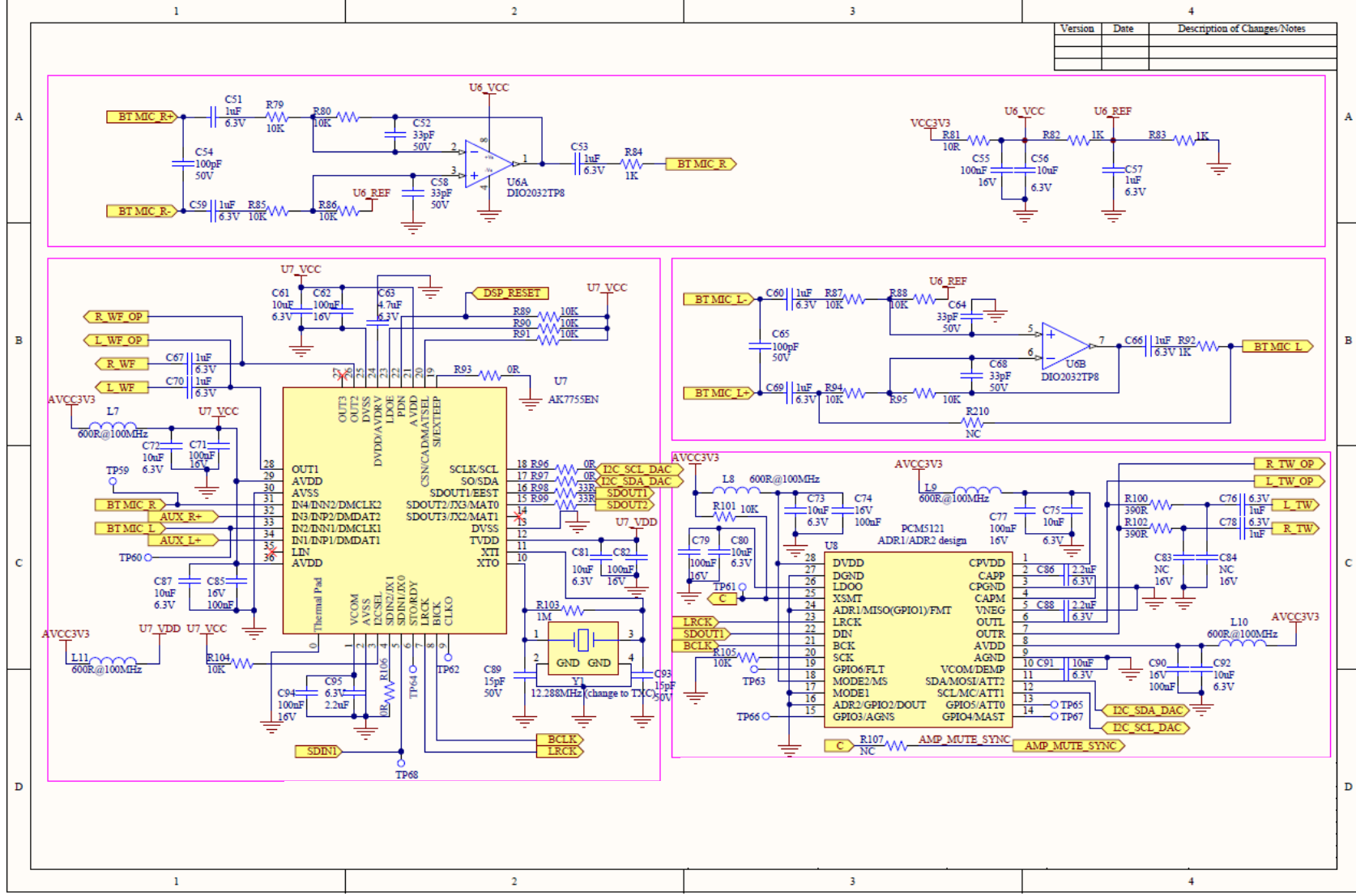
Schematic Diagram – Main Board

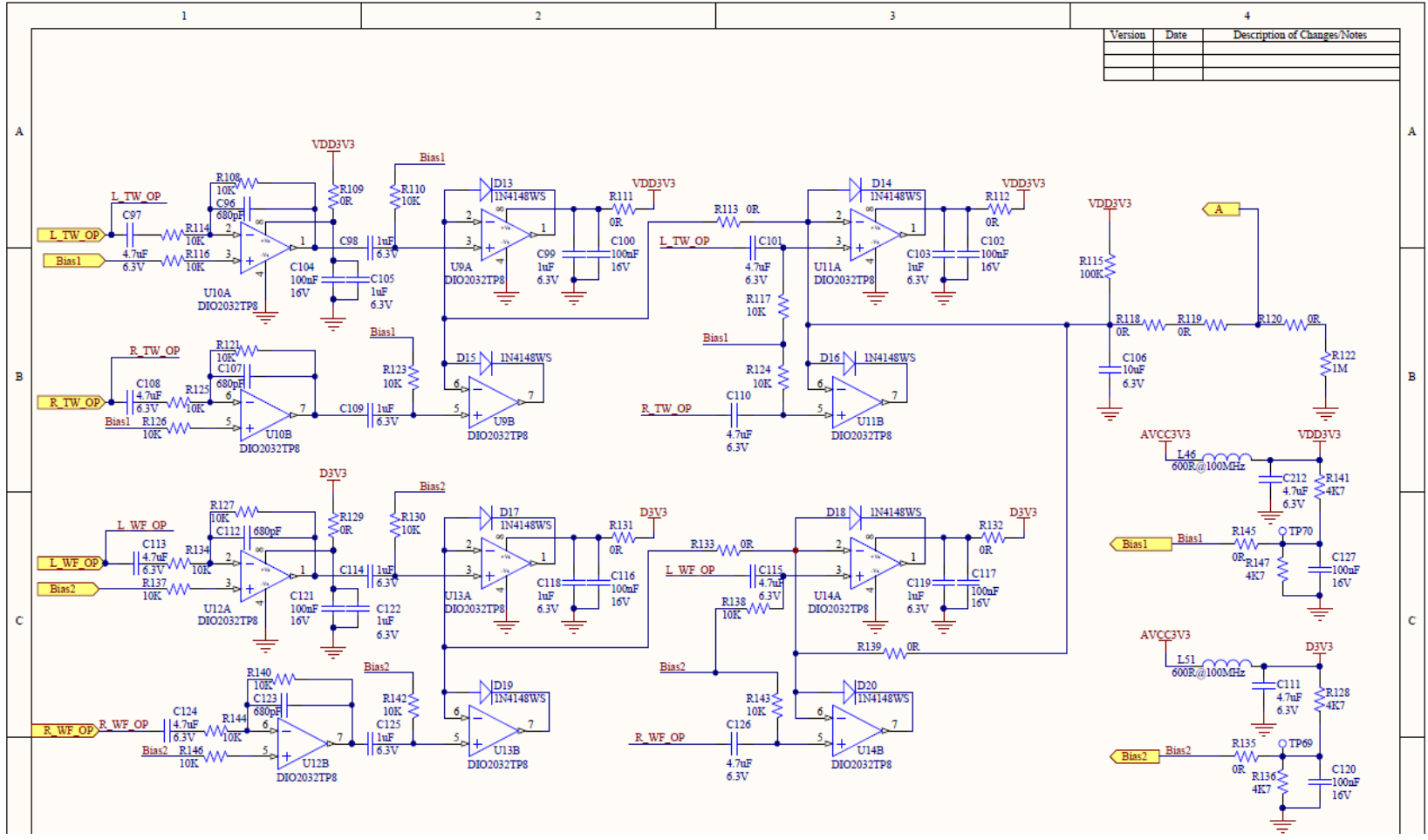








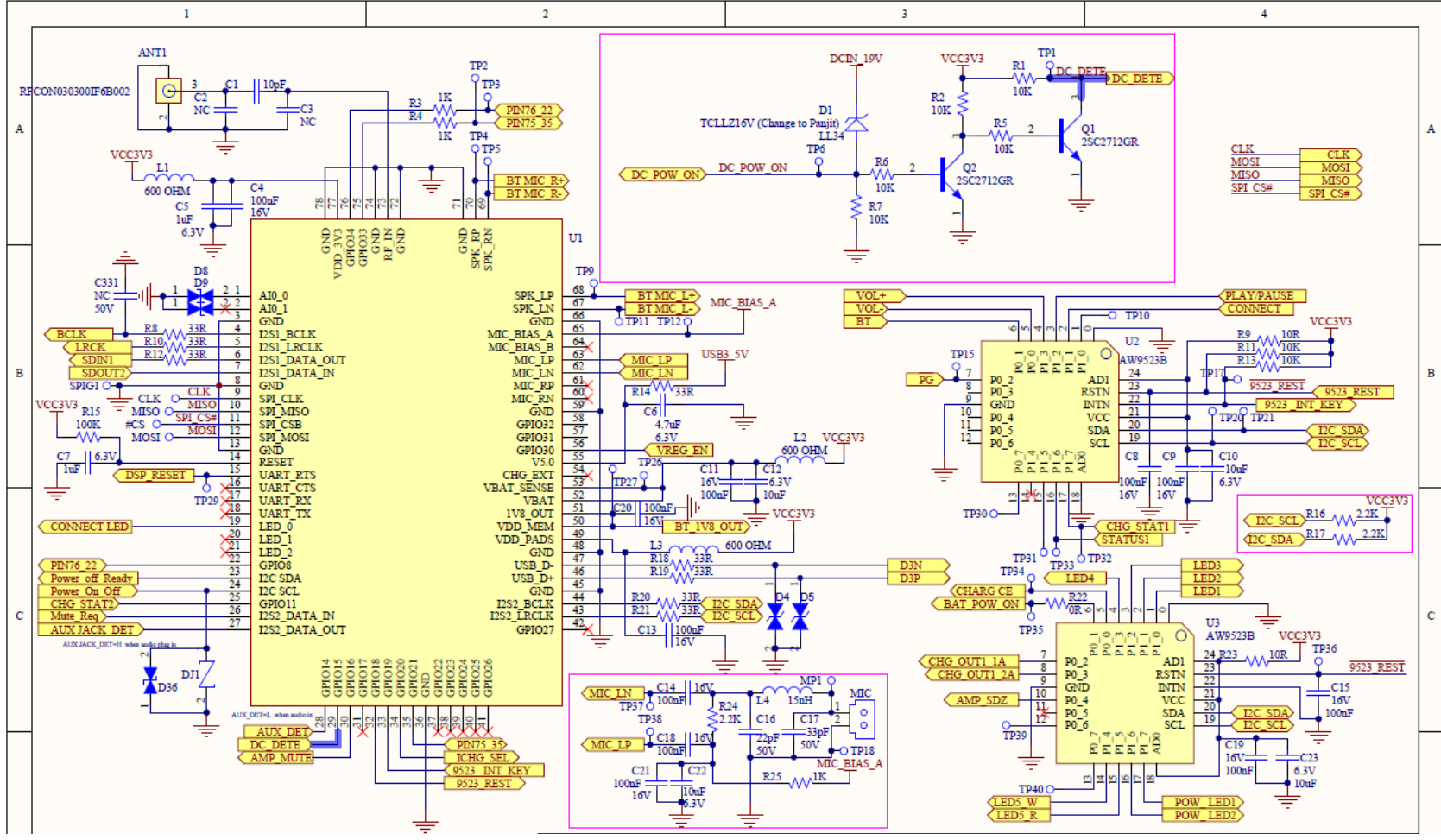


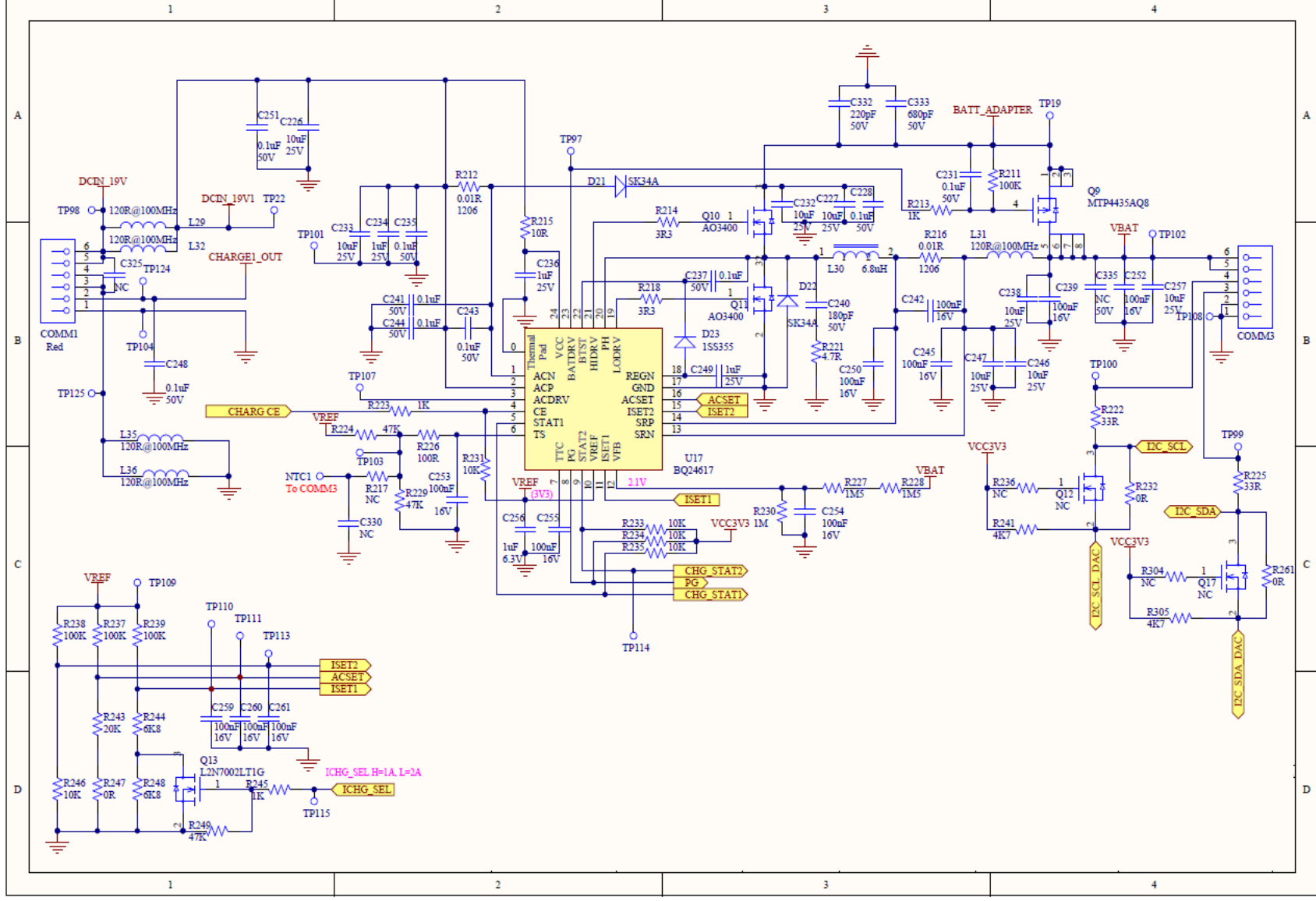


Ver1.0 05/2018

Harman/Kardon, Inc.
8500 Balboa Blvd.
Northridge, CA 91329

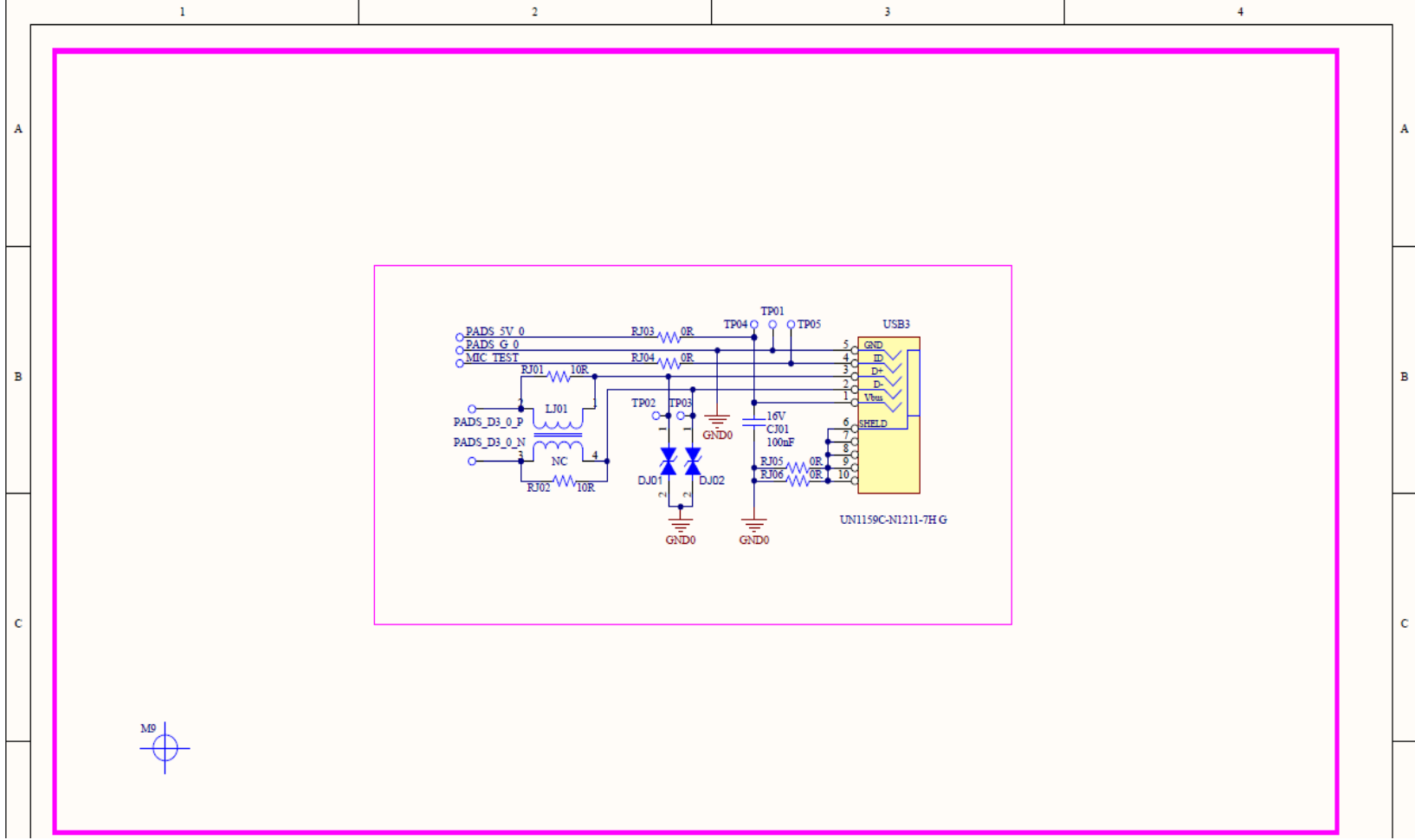
Released by Global Quality SL



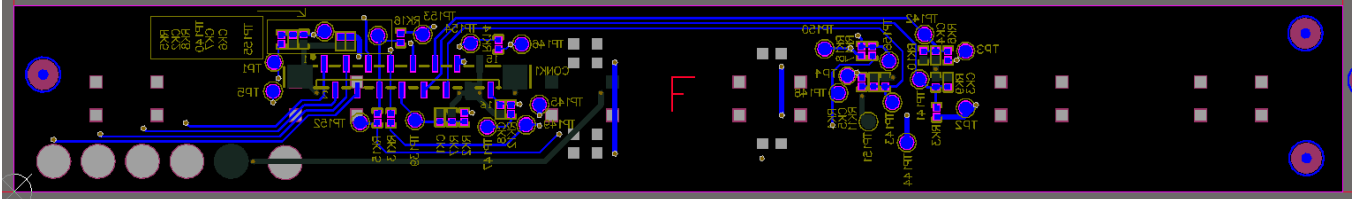
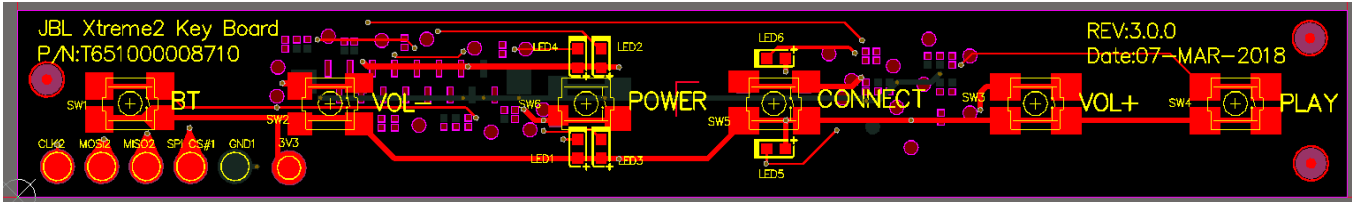


6

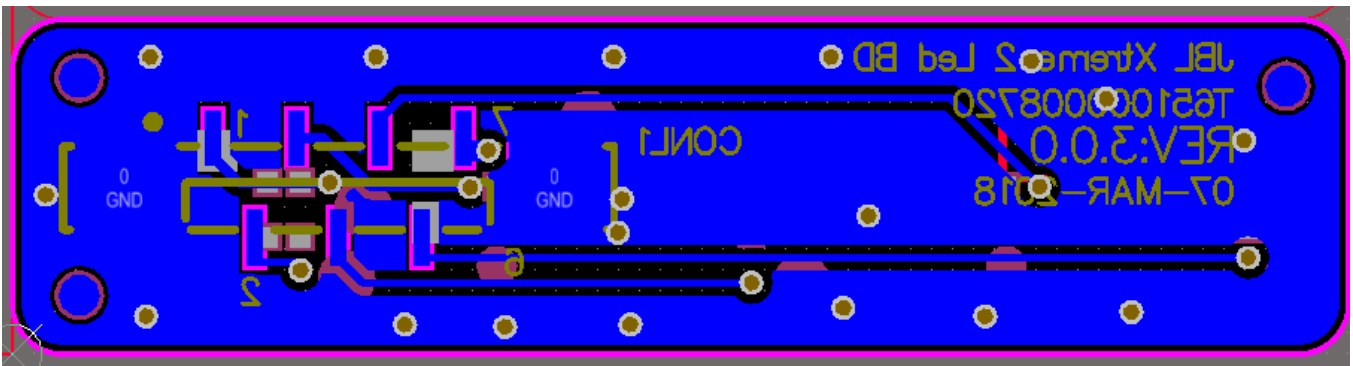
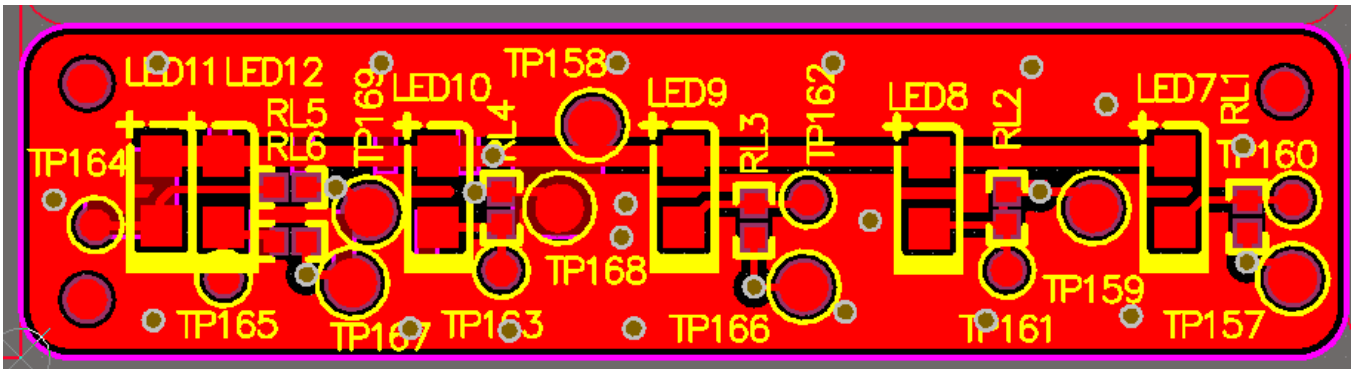
Schematic Diagram – USB Board



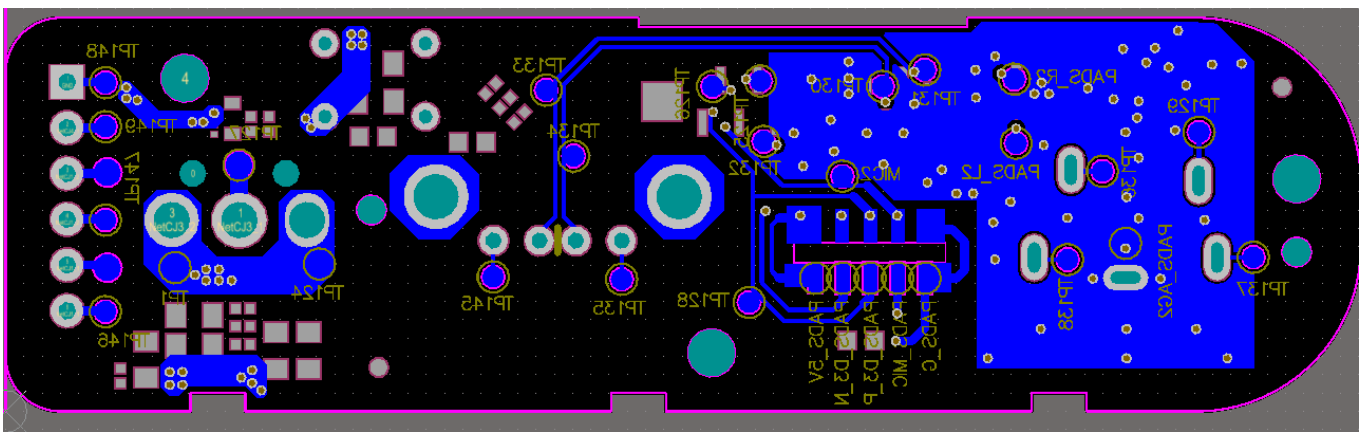
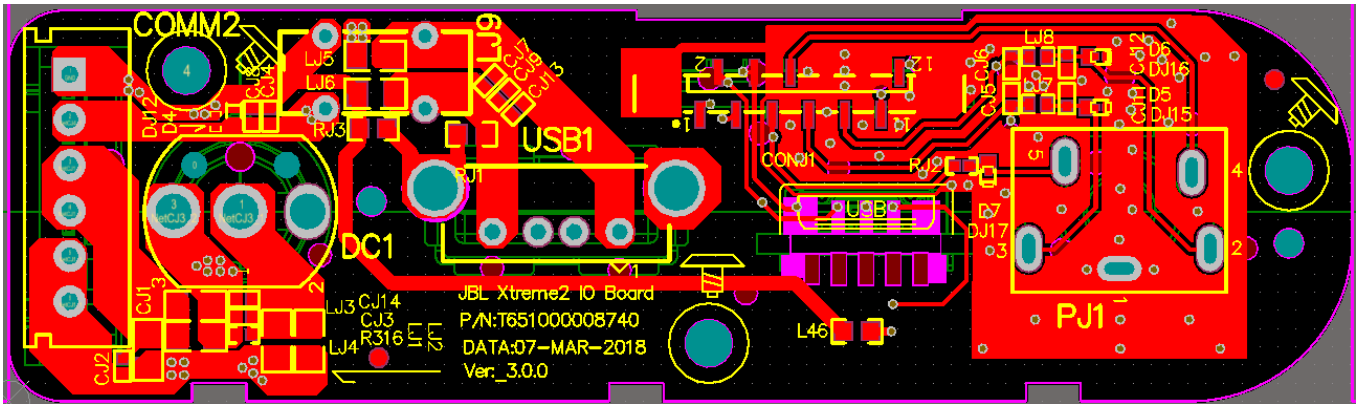
PCB Layout – Key board



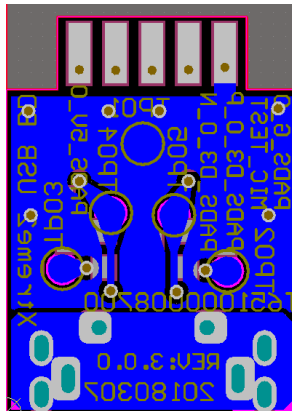
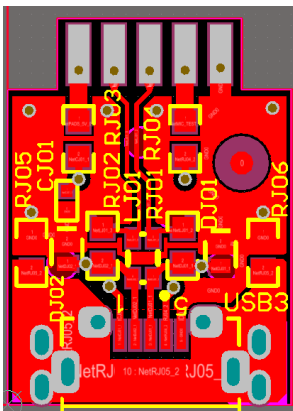
PCB Layout – Led board



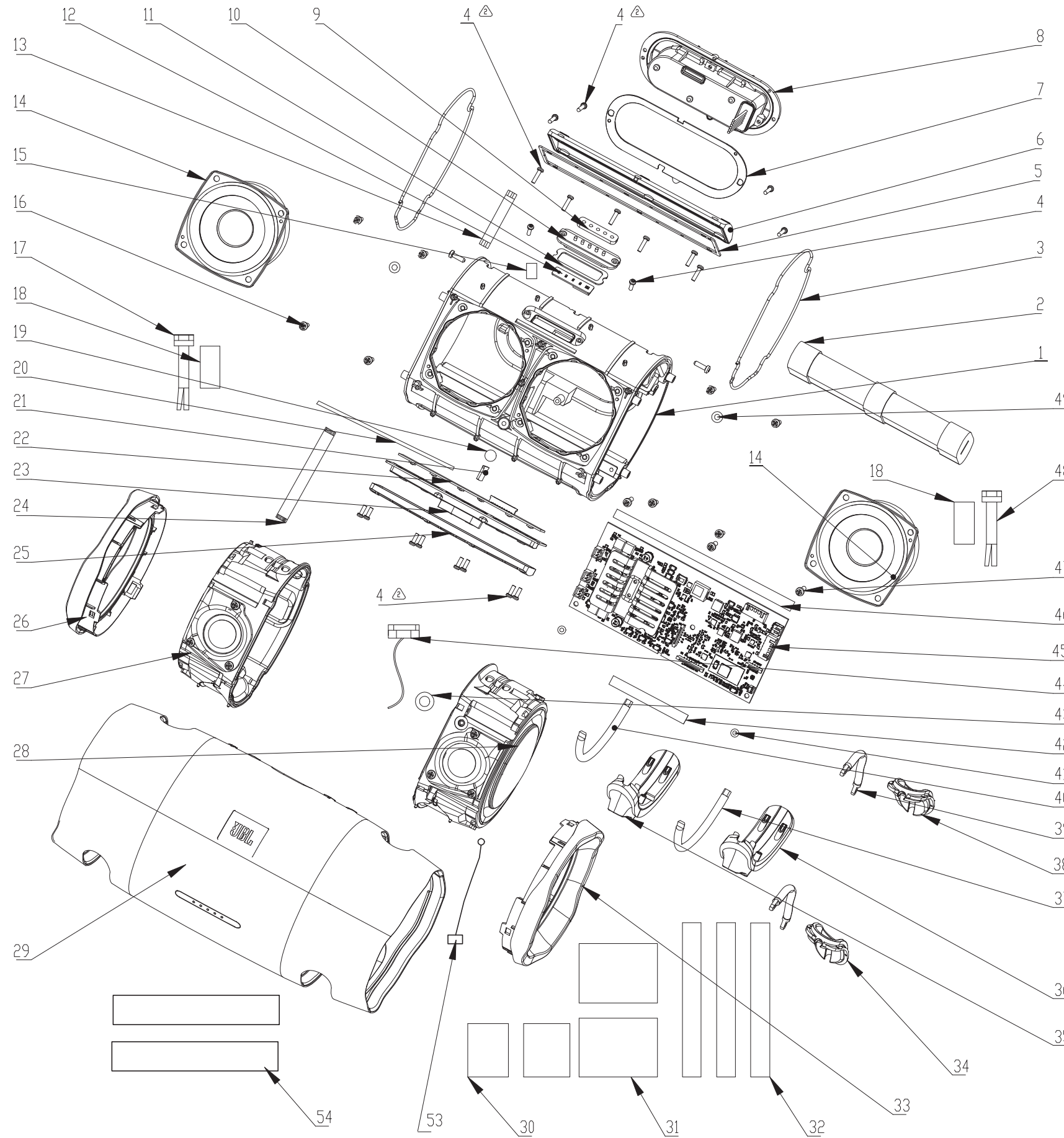
PCB Layout – I/O board



PCB Layout – USB board

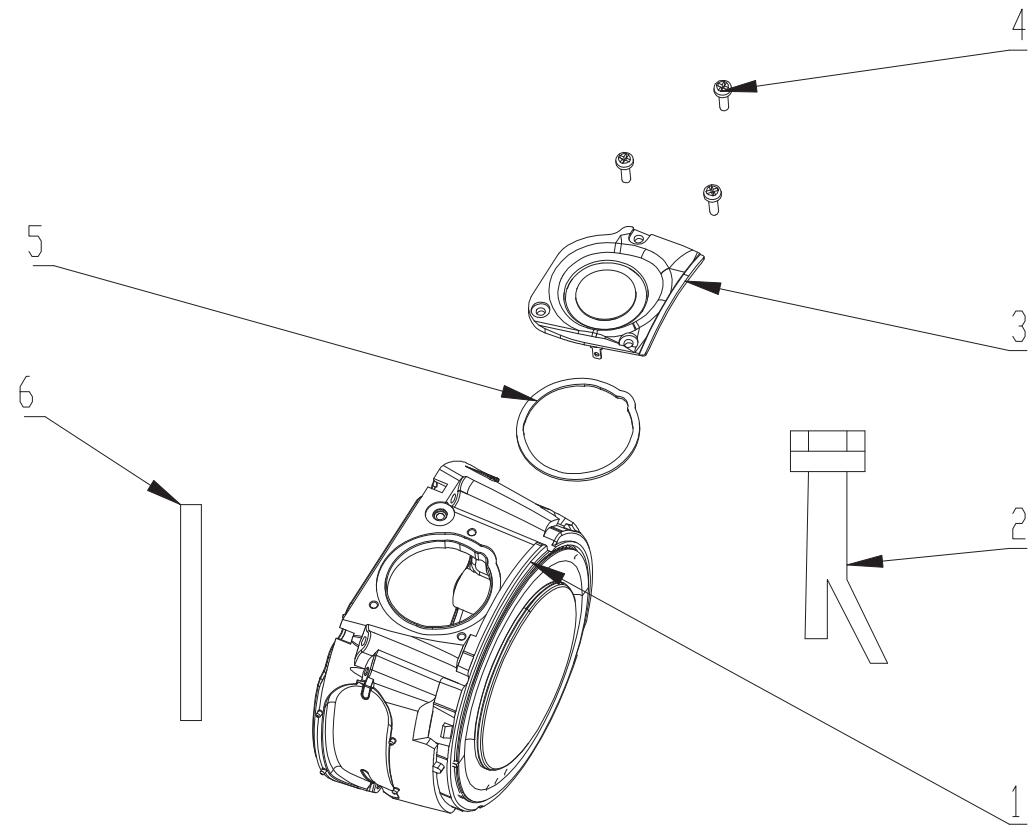


MECHANICAL EXPLODED VIEW (DIAGRAM A)



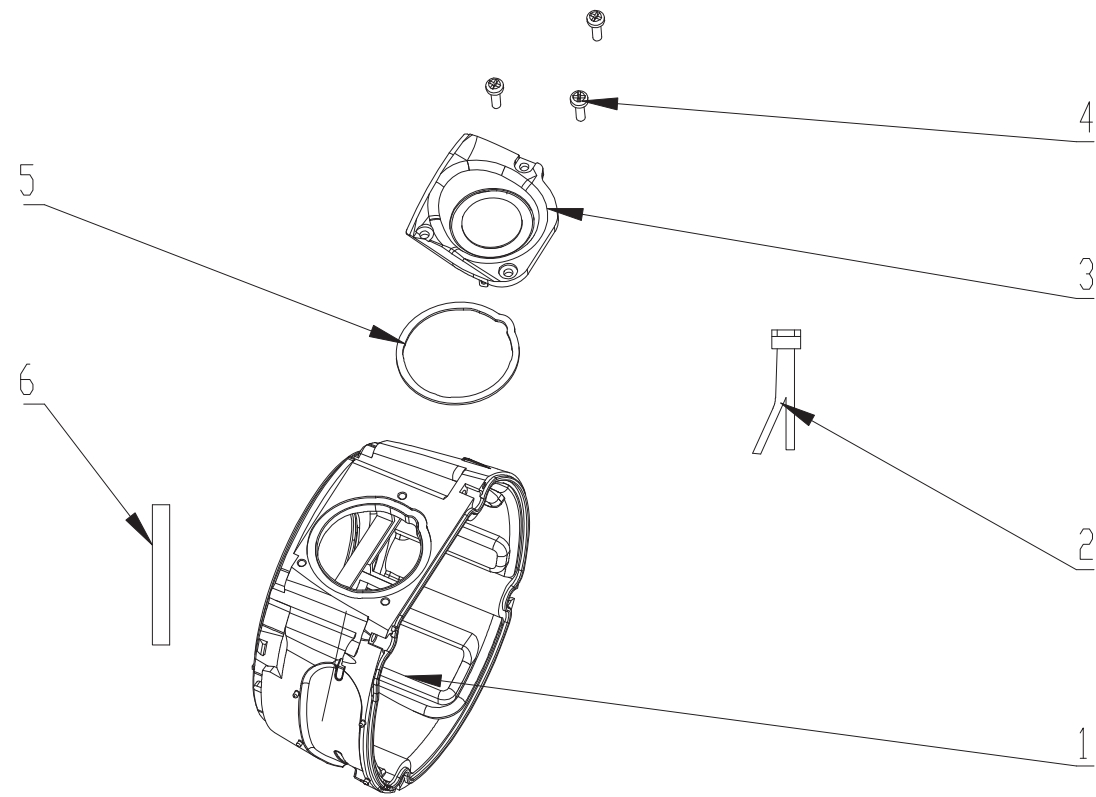
Pos. No.	P/N	Description	Usage
1	T910400027460	MID HOUSING BLK XTREME2	1
2	T910400027390	LI-ION BATTERY 7.4V 5200mAh XTREME2	1
3	T180200011310	HOUSING O RING XTREME2	2
5	T180200011290	BATTERY SEALING RING XTREME2	1
6	T100292100100	BATTERY COVER XTREME2	1
7	T180200011270	IO FRAME SEALING RING XTREME2	1
8	T910400027800	IO DOOR ASSY BLK XTREME2 PL AS CSR	1
8	T910400027050	IO DOOR ASSY BLK XTREME2 PL NON-AS CSR	1
8	T910400034190	IO DOOR ASSY W/PCBA XTREME2 BLK QCC	1
8	T910400027820	IO DOOR ASSY BLU XTREME2 PL AS CSR	1
8	T910400027070	IO DOOR ASSY BLU XTREME2 PL NON-AS CSR	1
8	T910400034210	IO DOOR ASSY W/PCBA XTREME2 BLU QCC	1
8	T910400027810	IO DOOR ASSY GRN XTREME2 PL AS CSR	1
8	T910400027060	IO DOOR ASSY GRN XTREME2 PL CSR	1
8	T910400034200	IO DOOR ASSY W/PCBA XTREME2 GRN QCC	1
8	T910400029550	IO DOOR ASSY RED XTREME2 PL AS CSR	1
8	T910400029520	IO DOOR ASSY RED XTREME2 PL NON-AS CSR	1
8	T910400034220	IO DOOR ASSY W/PCBA XTREME2 RED QCC	1
8	T910400029540	IO DOOR ASSY SQUAD XTREME2 PL AS CSR	1
8	T910400029530	IO DOOR ASSY SQUAD XTREME2 PL NON-AS CSR	1
8	T910400034230	IO DOOR ASSY W/PCBA XTREME2 SQUAD QCC	1
9+10	T910400028250	LIGHT GUIDE ASSY W/EVA XTREME2	1
11	T180200011300	LED SEALING RING XTREME2	1
12+15	T910400028260	LED PCBA W/DOUBLE TAPE XTREME2	1
12+15	T910400028270	LED PCBA W/DOUBLE TAPE JN XTREME2	1
13	T6417001133500	FFC 7P L175MM XTREME2	1
14	T690700008900	WOOFER 2.75" 4R XTREME2	1
20+22	T910400028280	KEY PCBA W/DOUBLE TAPE XTREME2	1
20+22	T910400028290	KEY PCBA W/DOUBLE TAPE(JN) XTREME2	1
23	T910400027890	RUBBER BUTTON XTREME2 BLK/SQUAD	1
23	T910400027910	RUBBER BUTTON XTREME2 BLU	1
23	T910400027900	RUBBER BUTTON XTREME2 GRN	1
23	T910400029420	RUBBER BUTTON XTREME2 RED	1
24	T6417001129200	FFC 16P L100mm KEY BOARD XTREME2	1
25	T100292200100	KEY BRACKET XTREME2	1
26	T910400027410	END CAP-R BLK/SQUAD XTREME2	1
26	T910400027450	END CAP-R BLU XTREME2	1
26	T910400027430	END CAP-R GRN XTREME2	1
26	T910400029390	END CAP-R RED XTREME2	1
27	T910400027120	HOUSING ASSY R W/PR BLK XTREME2	1
27	T910400027160	HOUSING ASSY R W/PR BLU XTREME2	1
27	T910400027140	HOUSING ASSY R W/PR GRN/SQUAD XTREME2	1
27	T910400029490	HOUSING ASSY R W/PR RED XTREME2	1
28	T910400027110	HOUSING ASSY L W/PR BLK XTREME2	1
28	T910400027150	HOUSING ASSY L W/PR BLU XTREME2	1
28	T910400027130	HOUSING ASSY L W/PR GRN/SQUAD XTREME2	1
28	T910400029480	HOUSING ASSY L W/PR RED XTREME2	1
29	T910400027080	GRILLE ASSY BLK XTREME2	1
29	T910400027100	GRILLE ASSY BLU XTREME2	1
29	T910400027090	GRILLE ASSY GRN XTREME2	1
29	T910400029500	GRILLE ASSY RED XTREME2	1
29	T910400029510	GRILLE ASSY SQUAD XTREME2	1
33	T910400027400	END CAP-L BLK/SQUAD XTREME2	1
33	T910400027440	END CAP-L BLU XTREME2	1
33	T910400027420	END CAP-L GRN XTREME2	1
33	T910400029380	END CAP-L RED XTREME2	1
34	T910400029430	HOOK COVER L RED XTREME2	1
34	T910400028010	HOOK COVER-L BLK XTREME2	1
34	T910400028050	HOOK COVER-L BLU XTREME2	1
34	T910400028030	HOOK COVER-L GRN/SQUAD XTREME2	1
35	T910400027840	FOOT R BLK/SQUAD XTREME2	1
35	T910400027880	FOOT R BLU XTREME2	1
35	T910400027860	FOOT R GRN XTREME2	1
35	T910400029410	FOOT R RED XTREME2	1
36	T910400027830	FOOT L BLK/SQUAD XTREME2	1
36	T910400027870	FOOT L BLU XTREME2	1
36	T910400027850	FOOT L GRN XTREME2	1
36	T910400029400	FOOT L RED XTREME2	1
37	T910400027920	METAL RING L BLK XTREME2	1
37	T910400027960	METAL RING L BLU XTREME2	1
37	T910400027940	METAL RING L GRN/SQUAD XTREME2	1
37	T910400029450	METAL RING L RED XTREME2	1
38	T910400028020	HOOK COVER-R BLK/SQUAD XTREME2	1
38	T910400028060	HOOK COVER-R BLU XTREME2	1
38	T910400028040	HOOK COVER-R GRN XTREME2	1
38	T910400029440	HOOK COVER R RED XTREME2	1
39	T910400027980	HOOK BRIDGE XTREME2 BLK	1
39	T910400028000	HOOK BRIDGE XTREME2 BLU	1
39	T910400027990	HOOK BRIDGE XTREME2 GRN/SQUAD	1
39	T910400029470	HOOK BRIDGE XTREME2 RED	1
40	T910400027930	METAL RING R BLK XTREME2	1
40	T910400027970	METAL RING R BLU XTREME2	1
40	T910400027950	METAL RING R GRN/SQUAD XTREME2	1
40	T910400029460	METAL RING R RED XTREME2	1
44	T690600005100	MIC OMNI-DIRECT 2P XTREME2	1
45	T910400027210	MAIN PCBA W/BT MODULE XTREME2 PL CSR	1
45	T910400034020	MAIN PCBA W/BT MODULE XTREME2 PL QCC	1
53	T690800011500	ANT JBL XT 180MM 50R XTREME2	1

HOUSING LEFT ASSY EXPLODED VIEW (Diagram B)



Pos. No.	P/N	Description	QTY
B1	T04-2G0044101	HOUSING ASSY L W/PR BLK XTREME2	1
B1	T04-2G0044103	HOUSING ASSY L W/PR GRN XTREME2	1
B1	T04-2G0044105	HOUSING ASSY L W/PR BLU XTREME2	1
B1	T910400029480	HOUSING ASSY L W/PR RED XTREME2	1
B3	T690700009000	TWEETER L 0.75" 4R XTREME2	1
B5, C5	T180200011250	TWEETER CUSHION	2

HOUSING RIGHT ASSY EXPLODED VIEW (Diagram C)



Pos. No.	P/N	Description	QTY
C1	T04-2G0044102	HOUSING ASSY R W/PR BLK XTREME2	1
C1	T04-2G0044104	HOUSING ASSY R W/PR GRN XTREME2	1
C1	T04-2G0044106	HOUSING ASSY R W/PR BLU XTREME2	1
C1	T910400029490	HOUSING ASSY R W/PR RED XTREME2	1
C3	T690700009500	TWEETER R 0.75" 4R XTREME2	1
B5, C5	T180200011250	TWEETER CUSHION	2

PACKAGING EXPLODED VIEW

背带供应同背带一起提供

彩盒上插盖折叠次序

1	SSN label	T91170003978X	26
1	Product label	T91170003977X	25
1	Gift box label	T91170003976X	24
0.5	2D Code label	T91170003975X	23
0.5	Shipping label	T91170003974X	22
1	Corrugate board	T30600126700X	21
2	Security sticker	T30400273000X	20

REV.	Description	By	Date	ECN No.
△	初版发行	Dos	11/27/2017	

ITEM NO.	P/N	DESC	QTY.
19	T31100029400X	PE bag for box	1
18	T30200125700X	Carton box	0.5
17	T31900010600X	EPE Bag	1
16	T30500052800X	QSG	1
15	T30500052900X	Safety book	1
14	T30100038200X	Warranty card	1
13	T31100029800X	PE Bag for manual	1
12	T18070000723X	Handle	1
11	T18070000724X	Handle base	1
10	T68070001890X	Adaptor	1
9	T64010002980X	Power cable	1
8	T18190000038X	Strap	1
7	T33000065800X	Top left EPE	1
6	T33000065900X	Top right EPE	1
5		Strap & Strap box	1
4		JBL_XTREME2_Speaker	1
3	T33000066000X	Bottom EPE	2
2	T30200125600X	Accessory box	1
1	T30300052600X	Retail box	1

TYMPHANY				Tolerance					Cus. Model No.	
This drawing is the property of Tympany corporation, it contains material that is confidential and/or proprietary for the sole use of the intended recipient. Any review or distribution by others is strictly prohibited and punishable to the full extent of the law.				Angular ±0.25°					Xtreme 2_US Black	
Quotation	Version No.	Scale: 1:1	Unit: MM	Dimension	F	G	H	J	Tympany Model No.	
	1	Sheet: 1/2	Size: A4	0-8	±0.05	±0.1	±0.1	±0.2	T02-382012101	
Sample	Drawn By	Checked By	Approved By	>8-25	±0.08	±0.15	±0.15	±0.3	Part No.	
				>25-80	±0.12	±0.2	±0.25	±0.4	DK-T02-382012101	
Tooling				>80-250	±0.25	±0.3	±0.4	±0.6	DWG No.	
	Dos Huang	Suki Deng	Jacky Tan	>250-800	±0.5	±0.6	±0.8	±1.0	DK-T02-382012101	
Official Issue				>800-2500	±1.0	±1.0	±1.5	±1.7	Part Name.	
				>2500-	±2.0	±2.0	±3.0	±3.0	PCK Assy	

Note:

- Comply with Tympany QSI057-1031 "Green Product Chemical Substances Specification".
部件环保需符合地芬尼QSI057-1031绿色产品化学物质限用规格;
- Follow customer's specification as required.符合客户要求。
- Follow Halogen- Free requirement : Br<900 ppm, Cl<900 ppm, Br+Cl< 1500 ppm if required.
有要求时需符合无卤要求: Br<900 ppm, Cl<900 ppm, Br+Cl< 1500 ppm。

JBL XTREME 2 SPARE PARTS LIST V2.0

Pos. No.	P/N	Description	QTY
1	T910400027460	MID HOUSING BLK XTREME2	1
2	T910400027390	LI-ION BATTERY 7.4V 5200mAH XTREME2	1
3	T180200011310	HOUSING O RING XTREME2	2
5	T180200011290	BATTERY SEALING RING XTREME2	1
6	T100292100100	BATTERY COVER XTREME2	1
7	T180200011270	IO FRAME SEALING RING XTREME2	1
8	T910400027800	IO DOOR ASSY BLK XTREME2 PL AS CSR	1
8	T910400027050	IO DOOR ASSY BLK XTREME2 PL NON-AS CSR	1
8	T910400034190	IO DOOR ASSY W/PCBA XTREME2 BLK QCC	1
8	T910400027820	IO DOOR ASSY BLU XTREME2 PL AS CSR	1
8	T910400027070	IO DOOR ASSY BLU XTREME2 PL NON-AS CSR	1
8	T910400034210	IO DOOR ASSY W/PCBA XTREME2 BLU QCC	1
8	T910400027810	IO DOOR ASSY GRN XTREME2 PL AS CSR	1
8	T910400027060	IO DOOR ASSY GRN XTREME2 PL CSR	1
8	T910400034200	IO DOOR ASSY W/PCBA XTREME2 GRN QCC	1
8	T910400029550	IO DOOR ASSY RED XTREME2 PL AS CSR	1
8	T910400029520	IO DOOR ASSY RED XTREME2 PL NON-AS CSR	1
8	T910400034220	IO DOOR ASSY W/PCBA XTREME2 RED QCC	1
8	T910400029540	IO DOOR ASSY SQUAD XTREME2 PL AS CSR	1
8	T910400029530	IO DOOR ASSY SQUAD XTREME2 PL NON-AS CSR	1
8	T910400034230	IO DOOR ASSY W/PCBA XTREME2 SQUAD QCC	1
11	T180200011300	LED SEALING RING XTREME2	1
13	T641700133500	FFC 7P L175MM XTREME2	1
14	T690700008900	WOOFER 2.75" 4R XTREME2	1
23	T910400027890	RUBBER BUTTON XTREME2 BLK/SQUAD	1
23	T910400027910	RUBBER BUTTON XTREME2 BLU	1
23	T910400027900	RUBBER BUTTON XTREME2 GRN	1
23	T910400029420	RUBBER BUTTON XTREME2 RED	1
24	T641700129200	FFC 16P L100mm KEY BOARD XTREME2	1
25	T100292200100	KEY BRACKET XTREME2	1
26	T910400027410	END CAP-R BLK/SQUAD XTREME2	1
26	T910400027450	END CAP-R BLU XTREME2	1
26	T910400027430	END CAP-R GRN XTREME2	1
26	T910400029390	END CAP-R RED XTREME2	1
27	T910400027120	HOUSING ASSY R W/PR BLK XTREME2	1
27	T910400027160	HOUSING ASSY R W/PR BLU XTREME2	1
27	T910400027140	HOUSING ASSY R W/PR GRN/SQUAD XTREME2	1
27	T910400029490	HOUSING ASSY R W/PR RED XTREME2	1
28	T910400027110	HOUSING ASSY L W/PR BLK XTREME2	1
28	T910400027150	HOUSING ASSY L W/PR BLU XTREME2	1
28	T910400027130	HOUSING ASSY L W/PR GRN/SQUAD XTREME2	1
28	T910400029480	HOUSING ASSY L W/PR RED XTREME2	1
29	T910400027080	GRILLE ASSY BLK XTREME2	1
29	T910400027100	GRILLE ASSY BLU XTREME2	1
29	T910400027090	GRILLE ASSY GRN XTREME2	1
29	T910400029500	GRILLE ASSY RED XTREME2	1
29	T910400029510	GRILLE ASSY SQUAD XTREME2	1
33	T910400027400	END CAP-L BLK/SQUAD XTREME2	1
33	T910400027440	END CAP-L BLU XTREME2	1
33	T910400027420	END CAP-L GRN XTREME2	1
33	T910400029380	END CAP-L RED XTREME2	1
34	T910400029430	HOOK COVER L RED XTREME2	1
34	T910400028010	HOOK COVER-L BLK XTREME2	1
34	T910400028050	HOOK COVER-L BLU XTREME2	1
34	T910400028030	HOOK COVER-L GRN/SQUAD XTREME2	1
35	T910400027840	FOOT R BLK/SQUAD XTREME2	1
35	T910400027880	FOOT R BLU XTREME2	1
35	T910400027860	FOOT R GRN XTREME2	1
35	T910400029410	FOOT R RED XTREME2	1
36	T910400027830	FOOT L BLK/SQUAD XTREME2	1
36	T910400027870	FOOT L BLU XTREME2	1

36	T910400027850	FOOT L GRN XTREME2	1
36	T910400029400	FOOT L RED XTREME2	1
37	T910400027920	METAL RING L BLK XTREME2	1
37	T910400027960	METAL RING L BLU XTREME2	1
37	T910400027940	METAL RING L GRN/SQUAD XTREME2	1
37	T910400029450	METAL RING L RED XTREME2	1
38	T910400028020	HOOK COVER-R BLK/SQUAD XTREME2	1
38	T910400028060	HOOK COVER-R BLU XTREME2	1
38	T910400028040	HOOK COVER-R GRN XTREME2	1
38	T910400029440	HOOK COVER R RED XTREME2	1
39	T910400027980	HOOK BRIDGE XTREME2 BLK	1
39	T910400028000	HOOK BRIDGE XTREME2 BLU	1
39	T910400027990	HOOK BRIDGE XTREME2 GRN/SQUAD	1
39	T910400029470	HOOK BRIDGE XTREME2 RED	1
40	T910400027930	METAL RING R BLK XTREME2	1
40	T910400027970	METAL RING R BLU XTREME2	1
40	T910400027950	METAL RING R GRN/SQUAD XTREME2	1
40	T910400029460	METAL RING R RED XTREME2	1
44	T690600005100	MIC OMNI-DIRECT 2P XTREME2	1
45	T910400027210	MAIN PCBA W/BT MODULE XTREME2 PL CSR	1
45	T910400034020	MAIN PCBA W/BT MODULE XTREME2 PL QCC	1
53	T690800011500	ANT JBL XT 180MM 50R XTREME2	1
12+15	T910400028260	LED PCBA W/DOUBLE TAPE XTREME2	1
12+15	T910400028270	LED PCBA W/DOUBLE TAPE JN XTREME2	1
20+22	T910400028280	KEY PCBA W/DOUBLE TAPE XTREME2	1
20+22	T910400028290	KEY PCBA W/DOUBLE TAPE(JN) XTREME2	1
9+10	T910400028250	LIGHT GUIDE ASSY W/EVA XTREME2	1
B3	T690700009000	TWEETER L 0.75" 4R XTREME2	1
B5, C5	T180200011250	TWEETER CUSHION XTREME2	2
BK AS	T910400027340	GIFT BOX XTREME2 BLK AS PL	1
BK Brazil	T910400027360	GIFT BOX XTREME2 BLK BR PL	1
BK CN	T910400027320	GIFT BOX XTREME2 BLK CN PL	1
BK EMEA	T910400027310	GIFT BOX XTREME2 BLK EU PL	1
BK INDIA	T910400027370	GIFT BOX XTREME2 BLK IN PL	1
BK JP	T910400027350	GIFT BOX XTREME2 BLK JN PL	1
BK US	T910400027330	GIFT BOX XTREME2 BLK AM PL	1
Blue CN	T910400029370	GIFT BOX XTREME2 BLU CN	1
C3	T690700009500	TWEETER R 0.75" 4R XTREME2	1
DC1	T710200012500	DC JACK 3P XTREME2	1
LED1,LE D2	T575011830204	LED BLU 1.6*0. LTST-C190TBK XTREME2	2
LED12	T575009180258	LED 635 INH-S1608BHR XTREME2	1
LED3,LE D4,LED5, LED6	T575012040204	LED WHT 1.6*0. LTW-C191DC-B XTREME2	4
LED7,LE D8,LED9, LED10,L ED11	T575012040204	LED WHT 1.6*0. LTW-C191DC-B XTREME2	5
PJ1	T690300096600	PHONE JACK 3.5MM 5P XTREME2	1
Q10,Q11	T5860032204A1	NMOS 30V GP3400A XTREME2	2
Q13,Q14	T586001860437	NMOS 60V L2N7002LT1G XTREME2	2
Q15	T586002162004	NMOS FDMC0310AS XTREME2	1
Q16	T586002602738	NMOS 60V 2N7002DW-7-F XTREME2	1
Q7,Q9	T585002791899	IC PMOS -30V MTP4435AQ8 XTREME2	2
SW1,SW 2,SW3,S W4,SW5, SW6	T670200006100	SWITCH 4P XTREME2	6
U15,U16	T610500018801	IC OP TPA3116D2DADR XTREME2	2
U17	T610000012004	IC SP BQ24617RGE QFN-24PI XTREME2	1
U19	T611700041139	IC DC DC SY8263AIC XTREME2	1

U2,U3	T610300085584	IC AW9523BTQR QFN24 XTREME2	2
U20	T611700038139	IC DC DC SY7901BDC XTREME2	1
U21	T610600086305	IC REG TLV70433DBVR XTREME2	1
U23	T610600082505	IC REG TPS2546 QFN16 XTREME2	1
U25	T611700041239	IC DC DC SY8201 XTREME2	1
U5	T610000061174	IC SP SLG4V41533 STQFN-14 XTREME2	1
U6,U9,U10,U11,U12,U13,U14	T610500034545	IC OP DIO2032TP8 8P XTREME2	7
U7	T6100000564AF	IC SP AK7755 QFN(36PI XTREME2	1
U8	T611200004410	IC D/A PCM5121 XTREME2	1
USB1	T710200014900	USB JACK 4P XTREME2	1
USB3	T710200011000	MICRO USB SOCKET XTREME2	1
Y1	T690900013300	CRYSTAL 12.288MH 7V122 XTREME2	1
	T910400027380	ACCESSORY BOX W3W XTREME2	1
	T64170013360A	FFC 12P P1.0MM 170MM XTREME2	1
	T910400029630	GIFT BOX XTREME2 BLU AM	1
	T910400029640	GIFT BOX XTREME2 BLU AS	1
	T910400029660	GIFT BOX XTREME2 BLU BR	1
	T910400029620	GIFT BOX XTREME2 BLU EU	1
	T910400029670	GIFT BOX XTREME2 BLU IN	1
	T910400029650	GIFT BOX XTREME2 BLU JP	1
	T910400029570	GIFT BOX XTREME2 GRN AM	1
	T910400029580	GIFT BOX XTREME2 GRN AS	1
	T910400029600	GIFT BOX XTREME2 GRN BR	1
	T910400029360	GIFT BOX XTREME2 GRN CN	1
	T910400029560	GIFT BOX XTREME2 GRN EU	1
	T910400029610	GIFT BOX XTREME2 PL GRN IN	1
	T910400029590	GIFT BOX XTREME2 GRN JP	1
	T910400029700	GIFT BOX XTREME2 RED AM	1
	T910400029710	GIFT BOX XTREME2 RED AS	1
	T910400029730	GIFT BOX XTREME2 RED BR	1
	T910400029680	GIFT BOX XTREME2 RED CN	1
	T910400029690	GIFT BOX XTREME2 RED EU	1
	T910400029740	GIFT BOX XTREME2 RED IN	1
	T910400029720	GIFT BOX XTREME2 RED JP	1
	T910400029770	GIFT BOX XTREME2 SQUAD AM	1
	T910400029780	GIFT BOX XTREME2 SQUAD AS	1
	T910400029800	GIFT BOX XTREME2 SQUAD BR	1
	T910400029750	GIFT BOX XTREME2 SQUAD CN	1
	T910400029760	GIFT BOX XTREME2 SQUAD EU	1
	T910400029810	GIFT BOX XTREME2 SQUAD IN	1
	T910400029790	GIFT BOX XTREME2 SQUAD JP	1
	T910400027570	POWER ADAPTER XTREME2	1
	T910400027580	POWER CORD AM XTREME2	1
	T910400027610	POWER CORD AS XTREME2	1
	T910400027600	POWER CORD BR XTREME2	1
	T910400027630	POWER CORD CN XTREME2	1
	T910400027590	POWER CORD EU XTREME2	1
	T910400027640	POWER CORD IN XTREME2	1
	T910400027620	POWER CORD JN XTREME2	1
	T641700129800	SPK WIRE L XTREME2	1
	T641700129700	SPK WIRE R XTREME2	1
	T181900000380	STRAP XTREME2	1
	T910400031350	PRODUCT BAG XTREME 2	1
	T910400031640	STRAP PE BAG XTREME 2	1
	T910400031650	STRAP WHITE BOX XTREME 2	1
	T910400031340	MANUAL BAG XTREME 2	1

Disassembly Instruction



↓
Unscrew 2 screws



↓
Take apart the grille assy





Take apart L&R End Cap



Unscrew and take apart L/R
hook cover



Take apart L/R rubber Foot

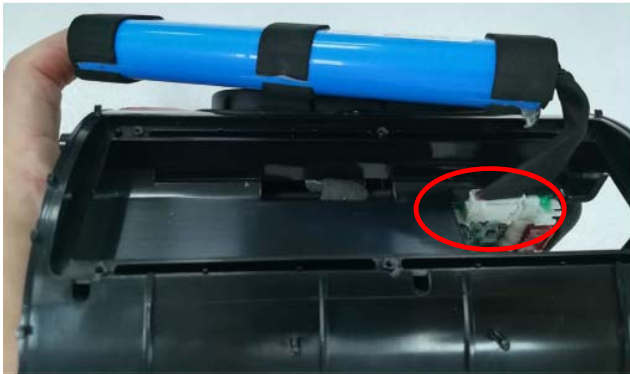


Unscrew and take apart L/R Housing
(8 screws)





Unscrew and take apart battery cover
(6 screws)



Pull out the battery cable



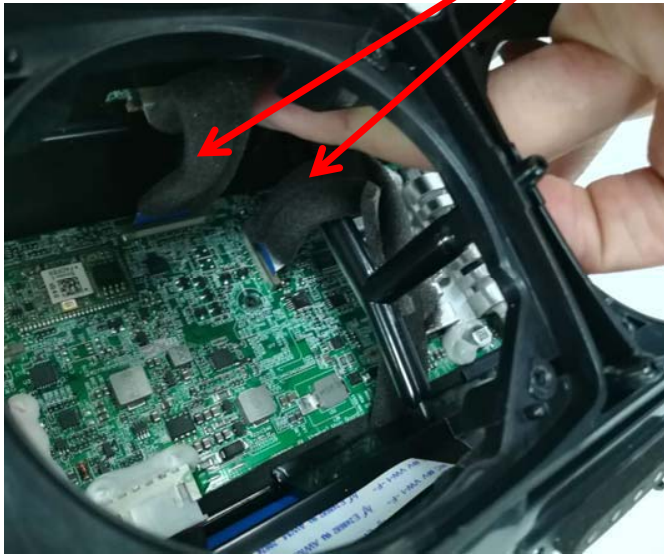
Pull out the woofer cables

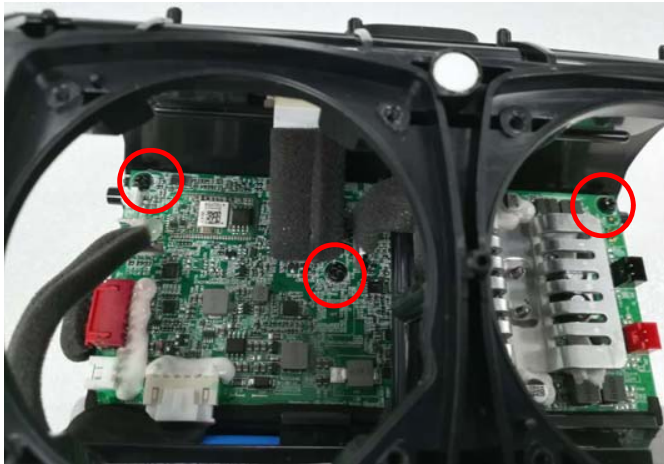


Unscrew and take apart 2 woofers
(8 screws)

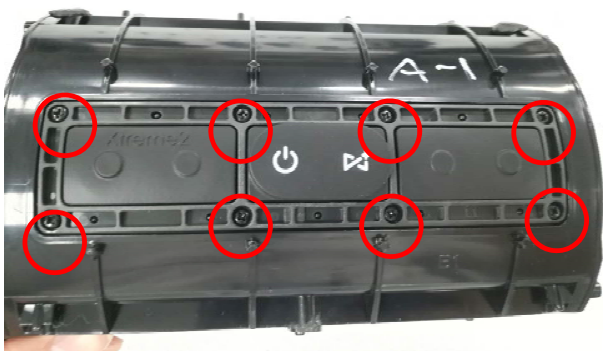


Pull out ANT cable、 IO cable、
LED FFC、 IO FFC、 Key FFC





Unscrew and take apart the main PCB
(5 screws)



Unscrew and take apart key bracket
(8 screws)



Unscrew and take apart light guide
(2 screws)





Unscrew and take apart IO assy
(4 screws)

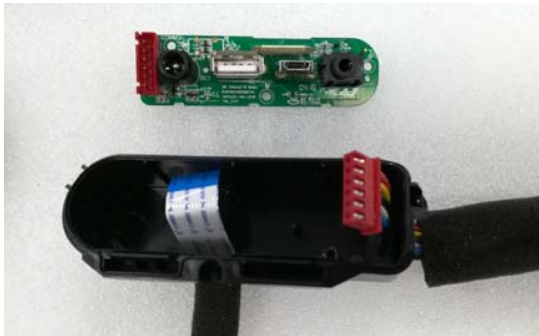
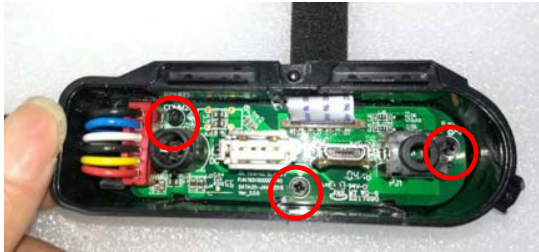


Unscrew and take apart IO frame
(3 screws)





Unscrew and take apart IO PCB
(3 screws)





Unscrew and take apart tweeter L
(3 screws)





Unscrew and take apart tweeter R
(3 screws)





Service Info

Service info # JBL2019-002

Sep. 2019

To: All JBL Service Centers.

Models: JBL Xtreme 2 (S/N starting from PL)

Subject: Module/parts changes

Part Change in new revision:

- Please note JBL Xtreme 2 has changed BT Module to Qualcomm QCC from existing CSR solution.
- New and old module are not compatible.
- New parts for product with S/N starting from below cut-in number.

Cut-in Numbers:

Brand	Product	Color	Region	Cut-in Time	Cut-in Number	Lot Size	Remark
JBL	XTREME2	BLACK	APAC	2019/7/3	PL0019-GJ0069632	4304	Qualcomm QCC5125 BT module
		GREEN	APAC	2019/7/11	PL0021-GJ0026901	3696	
		BLUE	APAC	2019/8/28	PL0020-HJ0035777	3074	
		BLUE	BRAZIL	2019/8/12	PL0029-HJ0011301	550	
		BLACK	BRAZIL	2019/8/12	PL0028-HJ0039141	1150	
		BLUE	EU	2019/7/1	PL0017-GJ0113620	1511	
		BLACK	EU	2019/7/2	PL0016-GJ0329161	304	
		BLUE	EU	2019/7/1	PL0017-GJ0113620	1511	
		SQUAD	EU	2019/7/20	PL0045-GJ0038111	852	
		GREEN	EU	2019/8/25	PL0018-HJ0077351	198	
		RED	EU	2019/8/26	PL0044-HJ0033866	3684	
		GREEN	JAPAN	2019/8/26	PL0027-HJ0002233	100	
		BLUE	JAPAN	2019/8/26	PL0026-HJ0002467	248	
		GREEN	JAPAN	2019/6/23	PL0027-FJ0002073	152	
		BLACK	JAPAN	2019/6/23	PL0025-FJ0002710	500	
		BLACK	US	2019/7/2	PL0013-GJ0248047	54	
BLUE	US	2019/6/23	PL0014-FJ0081301	1696			

New materials involved:

Brand	Product	P/N	Description	QTY	Pos. No.
JBL	XTREME 2	T910400034190	IO DOOR ASSY W/PCBA XTREME2 PL BLK QCC	1	8
		T910400034210	IO DOOR ASSY W/PCBA XTREME2 PL BLU QCC	1	8
		T910400034200	IO DOOR ASSY W/PCBA XTREME2 PL GRN QCC	1	8
		T910400034220	IO DOOR ASSY W/PCBA XTREME2 PL RED QCC	1	8
		T910400034230	IO DOOR ASSY W/PCBA XTREME2 PL SQUAD QCC	1	8
		T910400034020	MAIN PCBA W/BT MODULE XTREME2 PL QCC	1	45

Revision List

Version 1.0

*Initial release for JBL Xtreme 2, May. 2018

Version 1.1

* Remove unnecessary information . May. 2018

Version 1.2

* Add missing strap in parts list. Jun. 2018

Version 1.3

* Add Red and Squad color version and missing Gift Box. Aug. 2018

Version 1.4

* Speaker drive P/N updated due to package change. Sep. 2018

Version 2.0

* Add some parts due to Qualcomm QCC Bluetooth introduced. Service Info. added on Page 46. Sep. 2019

Version 2.1

* Update parts list in exploded view on Page 27. Oct. 2019