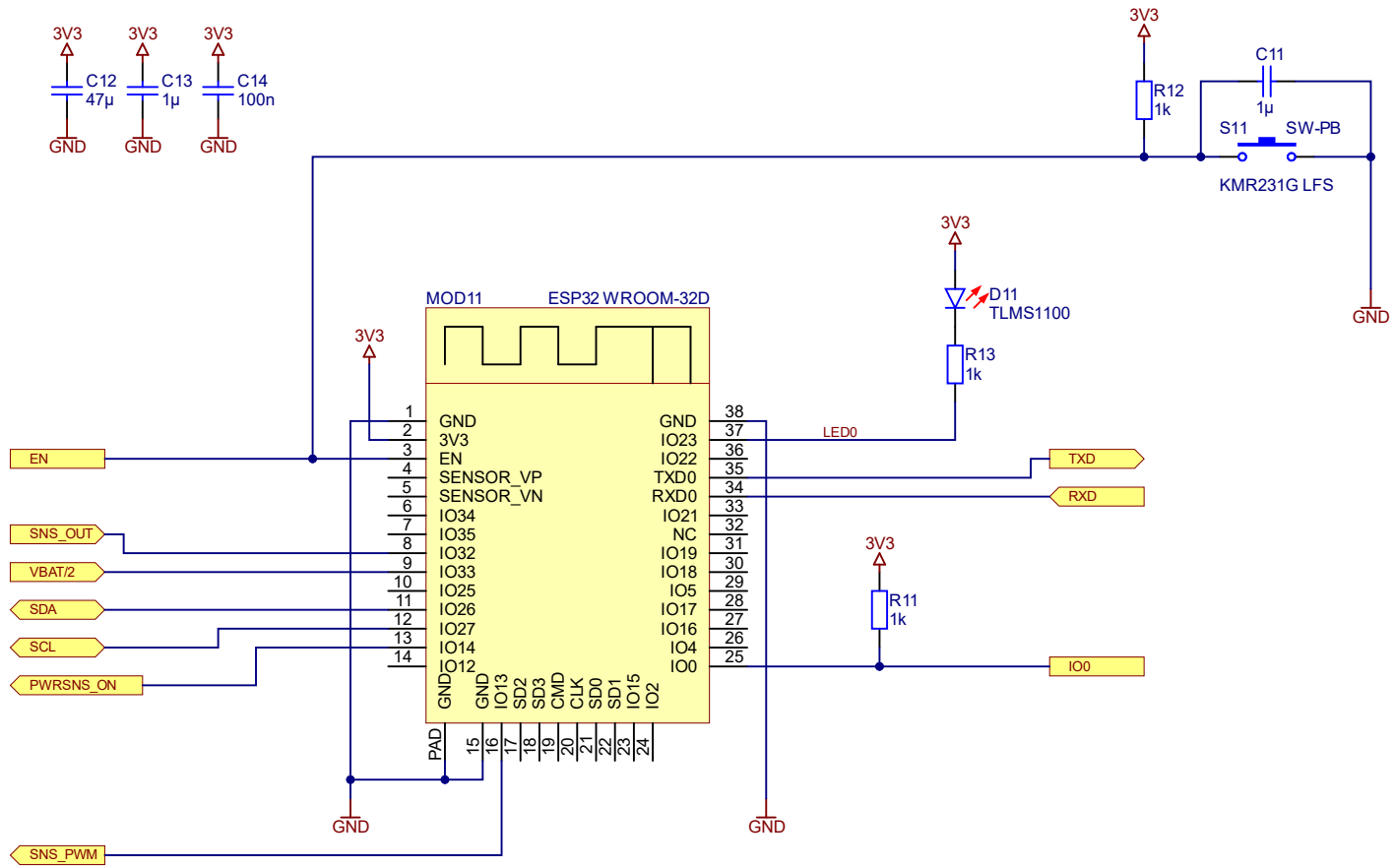


Rev	221	Title	USB Interface & Power	
Author:	T. Decker	Project	Soil Moisture Sensor.PrjPcb	
Date:	20.09.2020	Filename	USB & Power.SchDoc	Sheet 1 / 3



Rev	221	Title	ESP32 Module
Author:	T. Decker	Project	Soil Moisture Sensor.PrjPcb
Date:	20.09.2020	Filename	ESP32.SchDoc
		Sheet	2 / 3

1

2

3

4

A

A

B

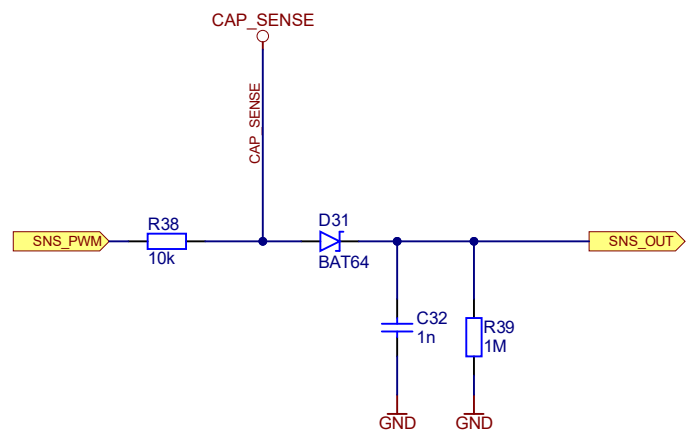
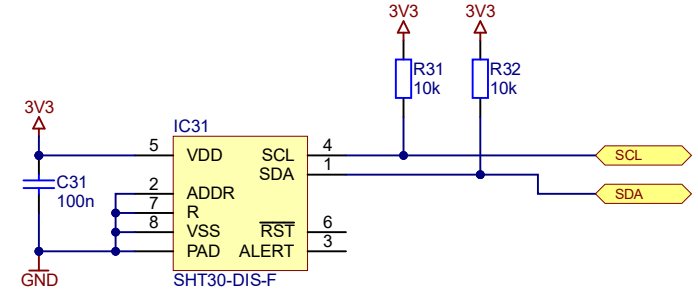
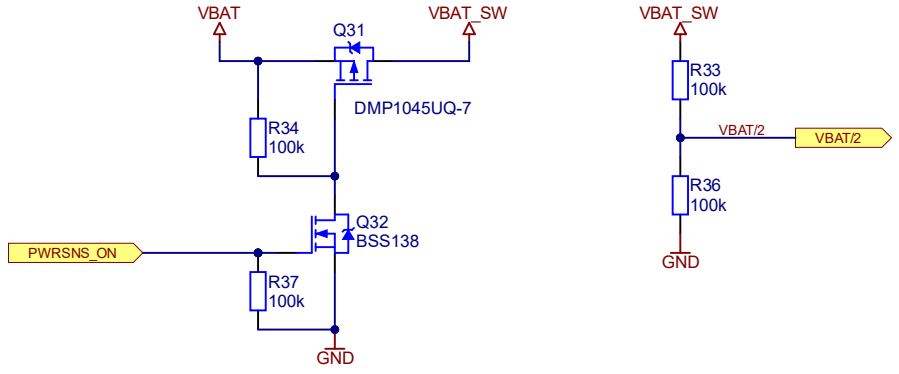
B

C

C

D

D



Rev	221	Title	Moisture Sense	
Author:	T. Decker	Project	Soil Moisture Sensor.PrfPcb	
Date:	20.09.2020	Filename	Sensor.SchDoc	Sheet 3 / 3

1

2

3

4