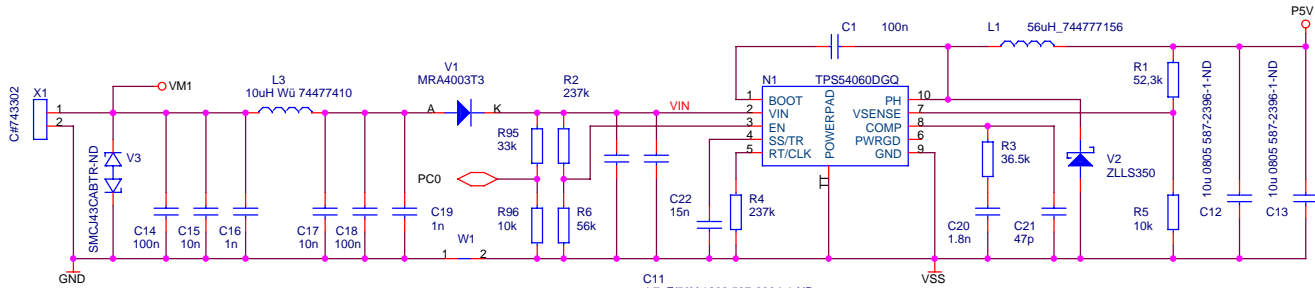
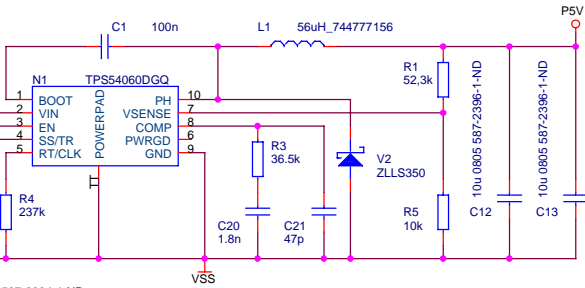


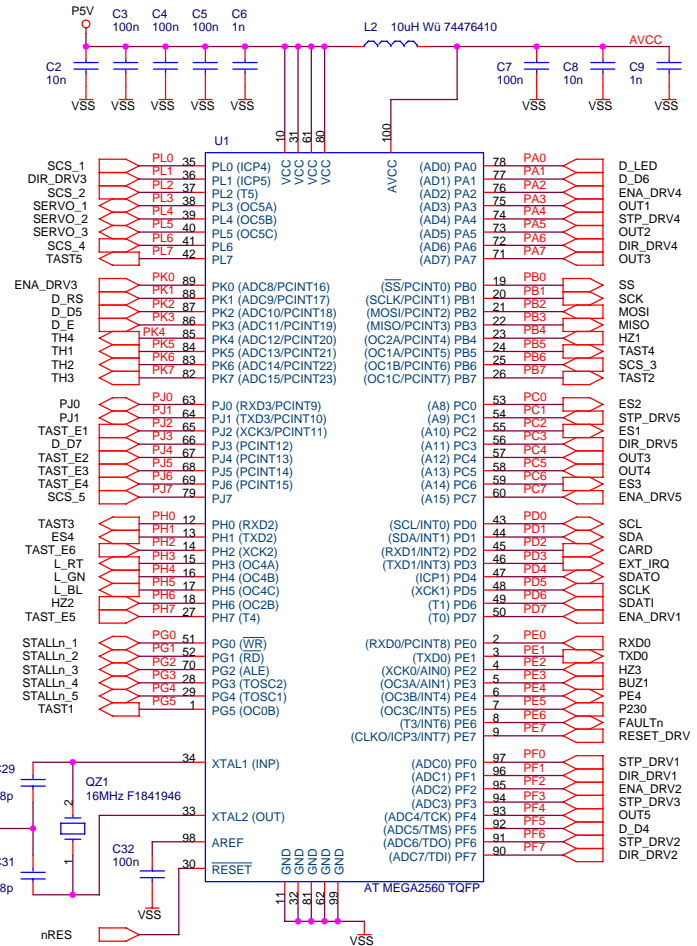
EMV Filter



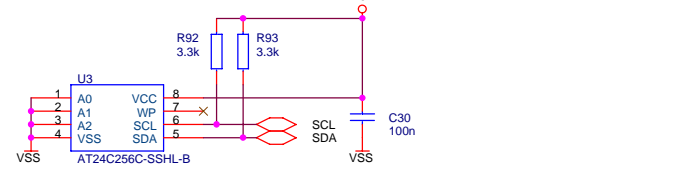
DC/DC 5 V 500 mA



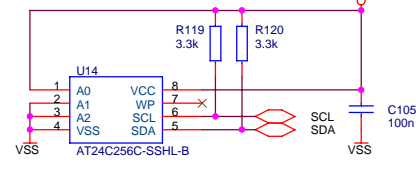
CPU



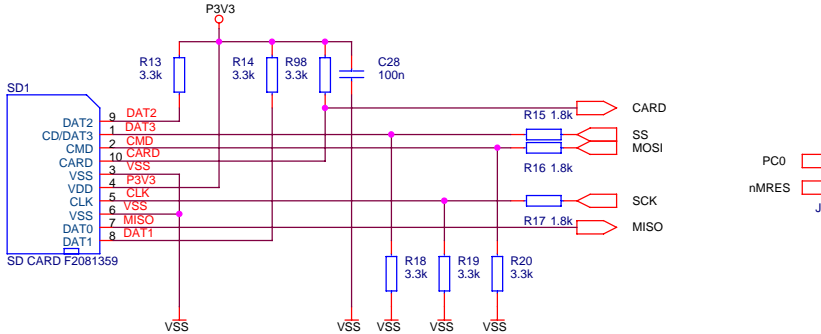
EEPROM 1



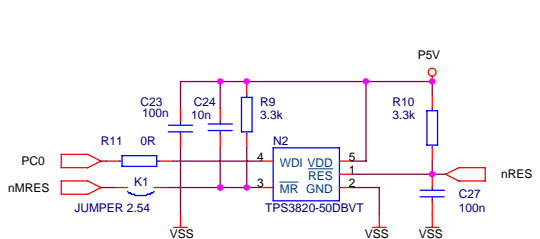
EEPROM 2



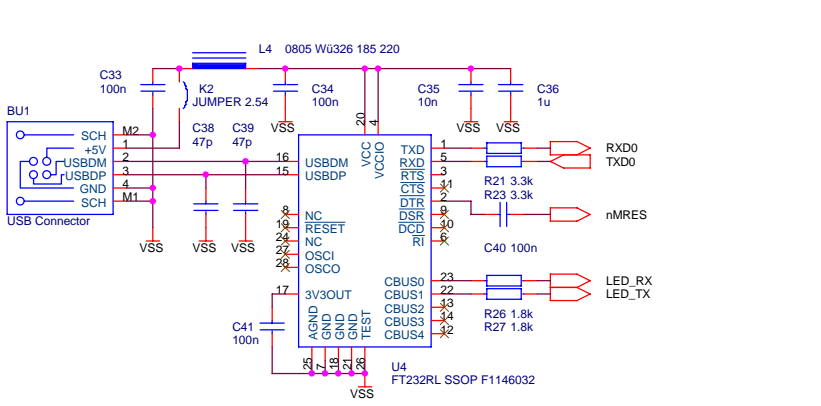
SD Card Reader



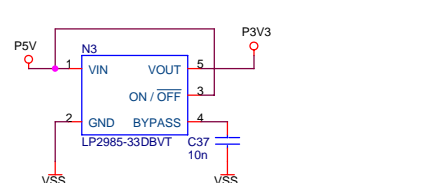
RESET & Watchdog



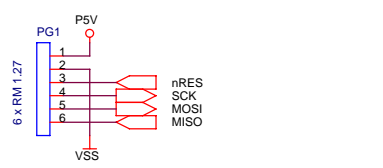
USB Interface



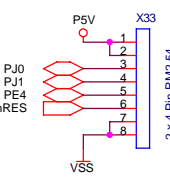
LDO 3.3 V 150 mA



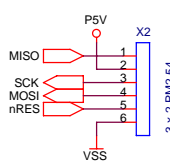
ISP Programming



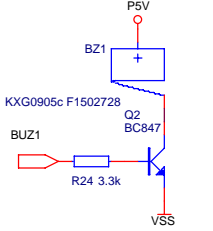
Reserve Pin



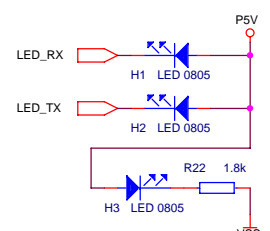
ISP



PIEPSER

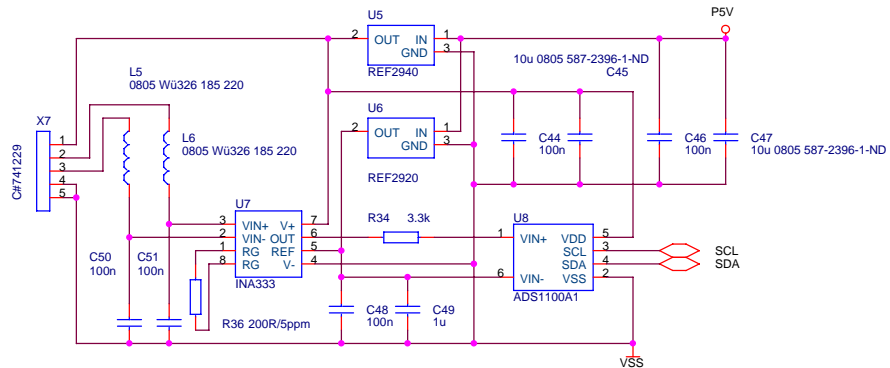


Status LED

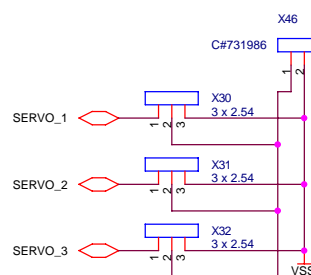


| | | | |
|---------------------------------|--|--|----------|
| | | Conrad Electronic SE | |
| F20131013-01 RFO | | Klaus Conrad Strasse 1 92240 Hirschau | |
| Projekt I851 CTC V3.0 | | | |
| Größe A3 | Schaltplan POWER, CPU, SD und USB Teil | | Rev 1 |
| Datum: Friday, October 23, 2015 | Blatt | | 1 von 6 |

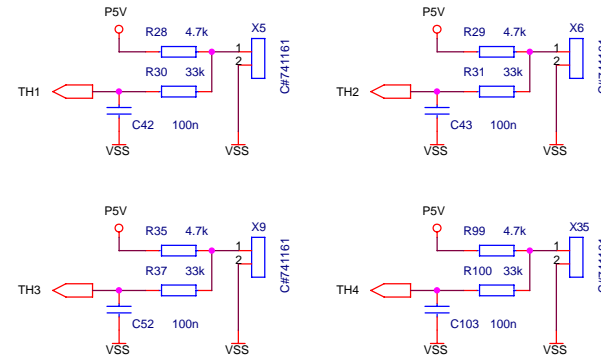
DMS Verstärker und A/D



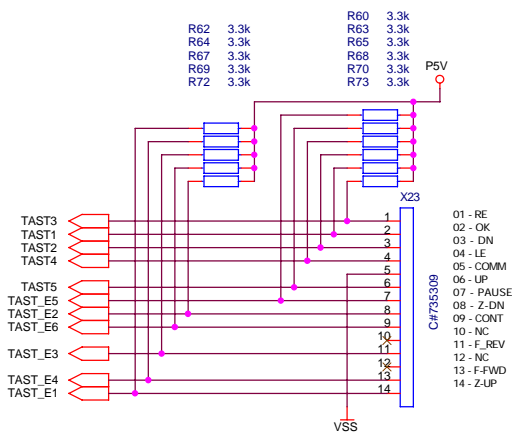
Servo



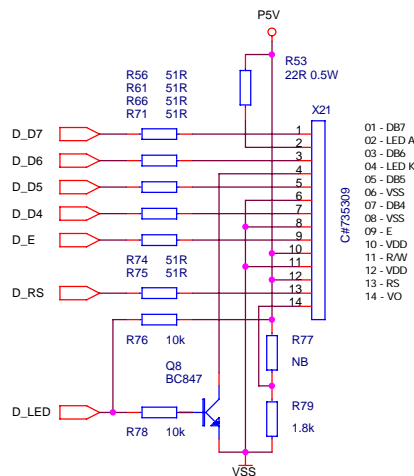
Temperatur Messung



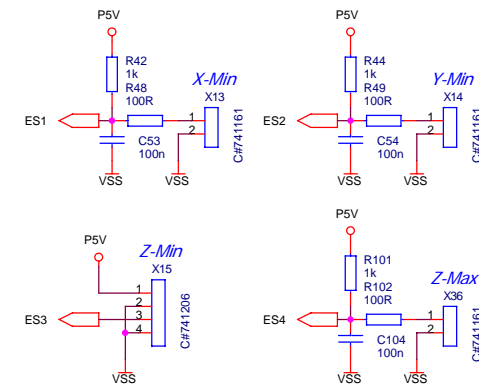
Taster Interface



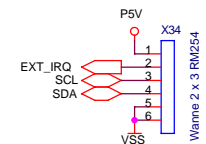
LCD Interface



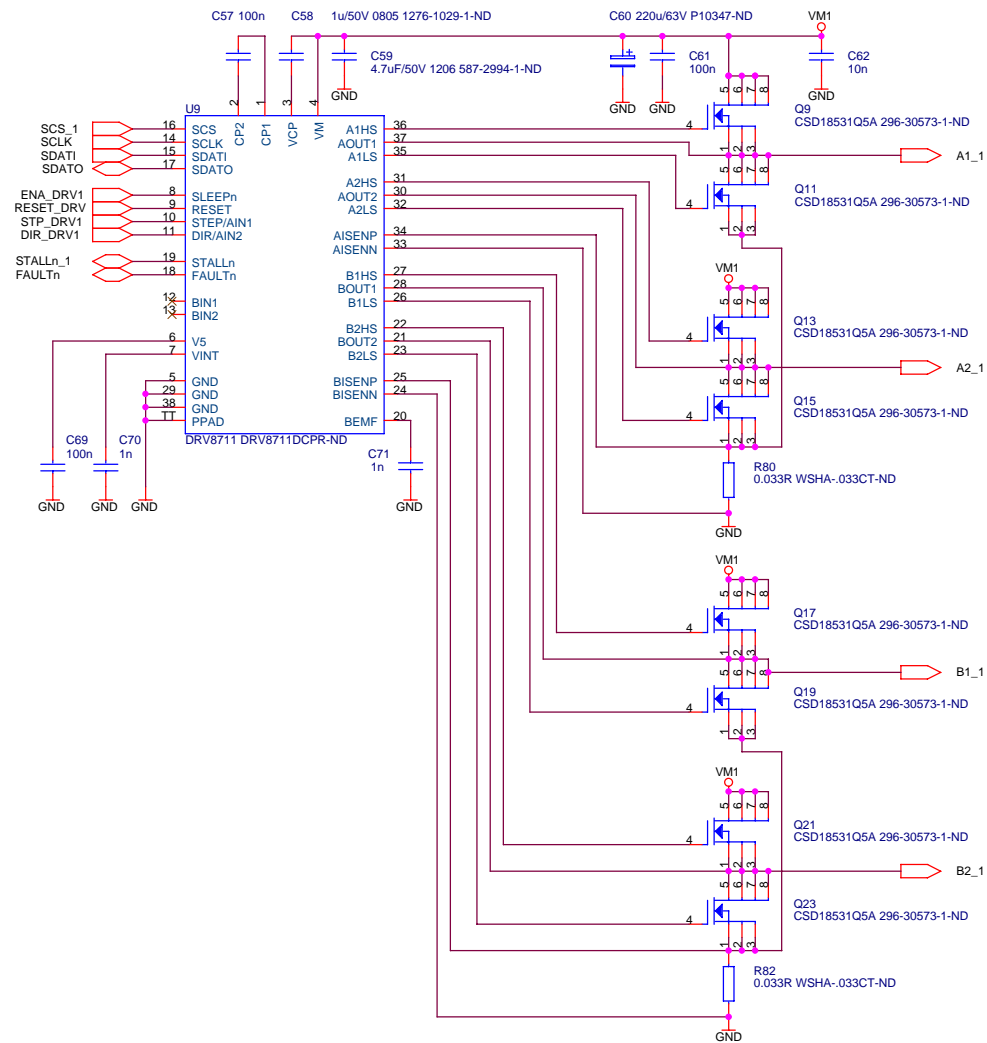
Endschalter



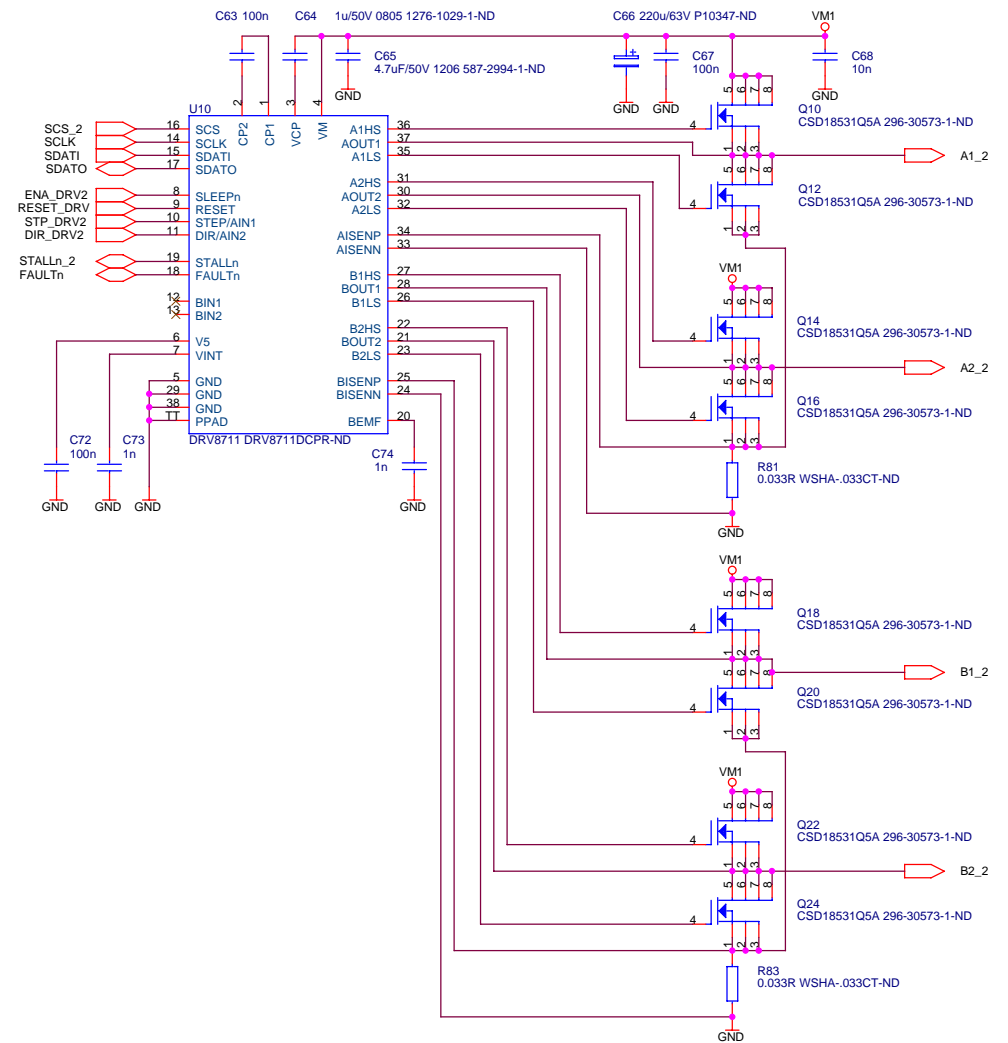
Extended BUS




Stepper Driver #1

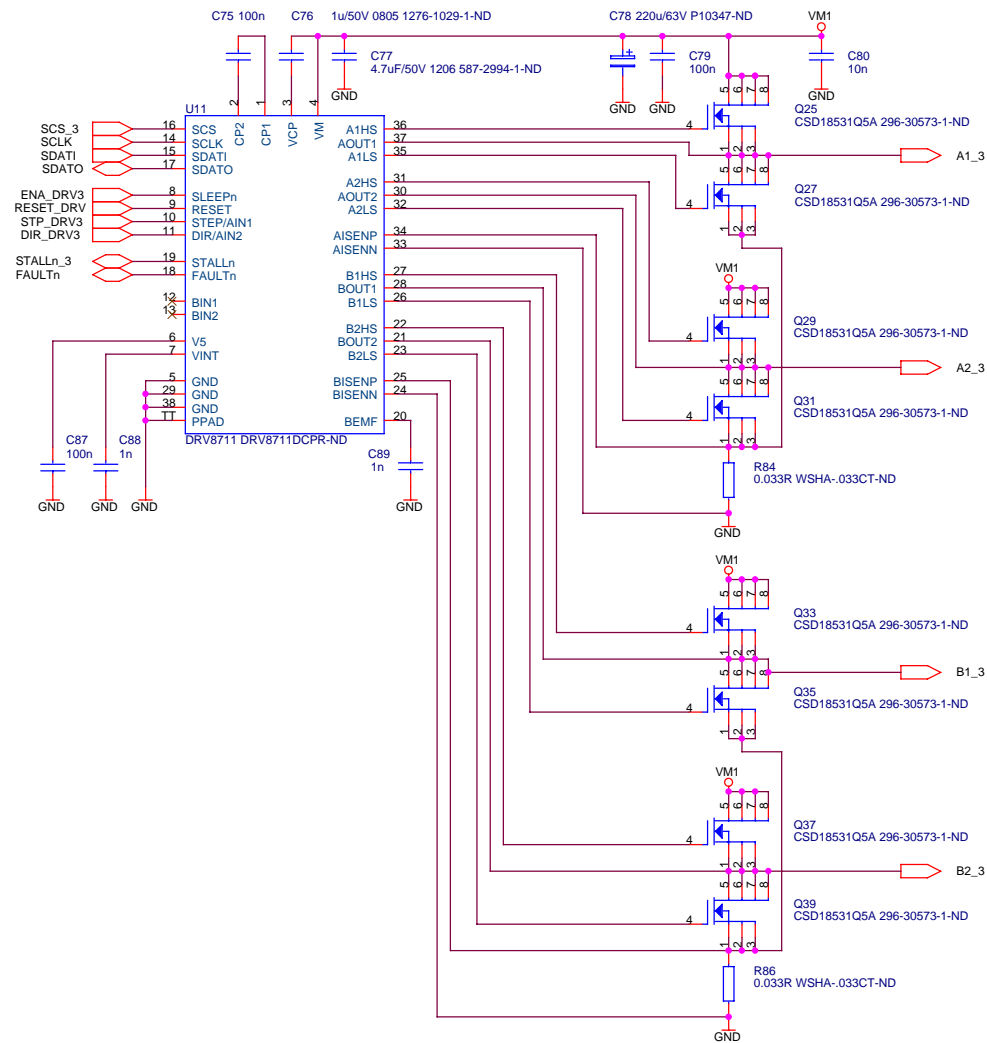


Stepper Driver #2

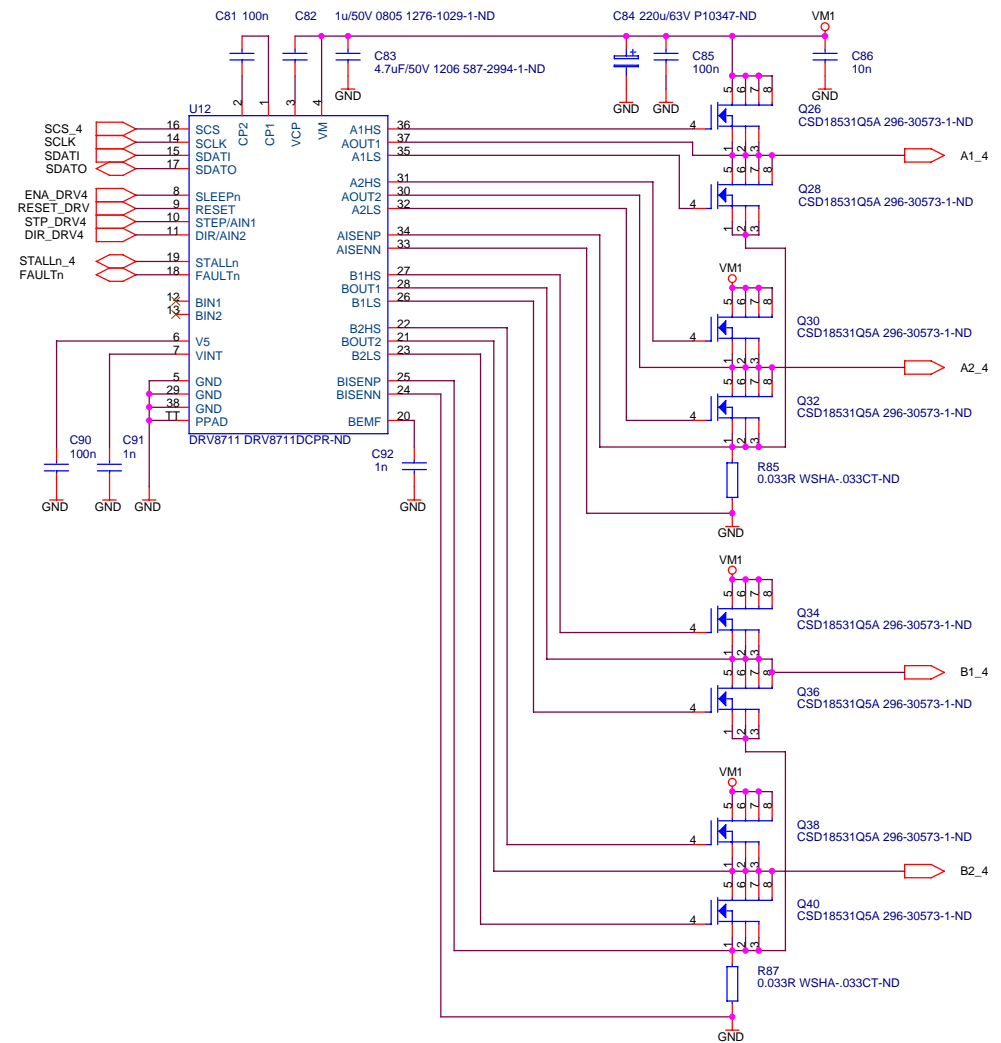


| | | | |
|---|--|---|-------|
|  | | Conrad Electronic SE Klaus Conrad Strasse 1 92240 Hirschau | |
| | | F20131013-01 RFO | |
| Projekt 1851 CTC V3.0 | | | |
| Größe A3 | | Schaltplan Motor Driver 1 + 2 | |
| Datum: Friday, October 23, 2015 | | Blatt 3 von 6 | |
| | | | Rev 1 |

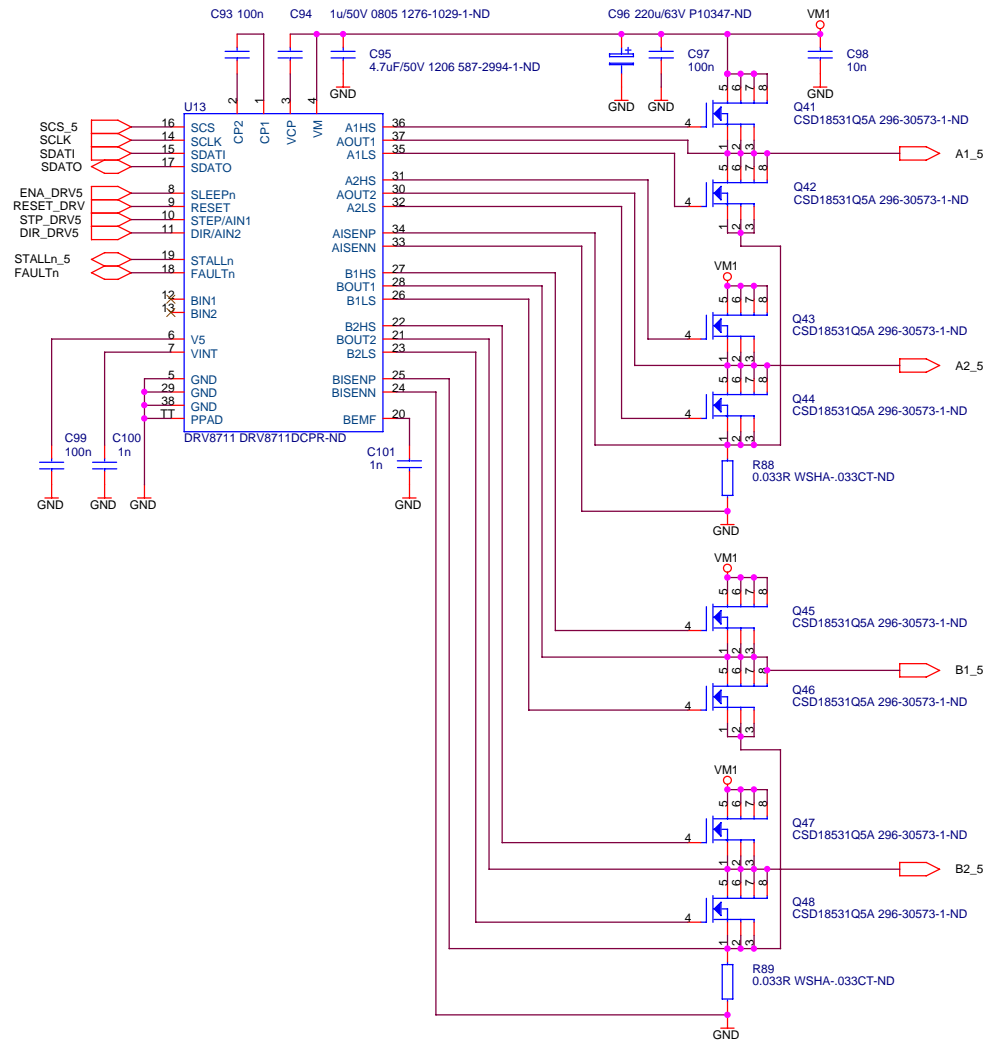
Stepper Driver #3



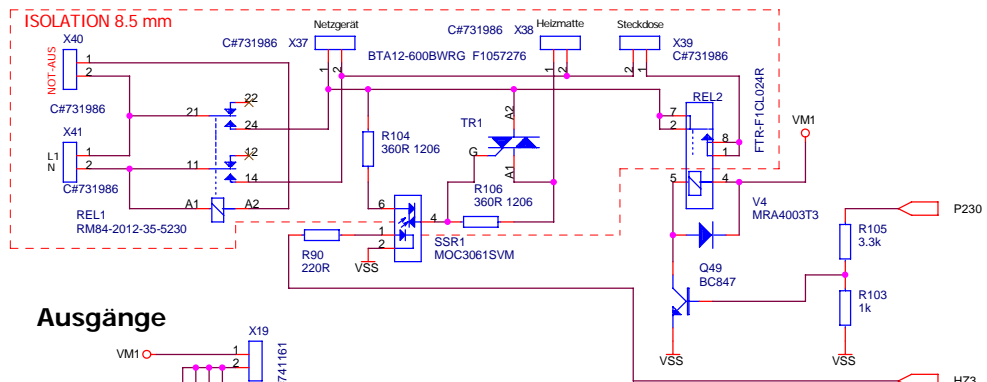
Stepper Driver #4



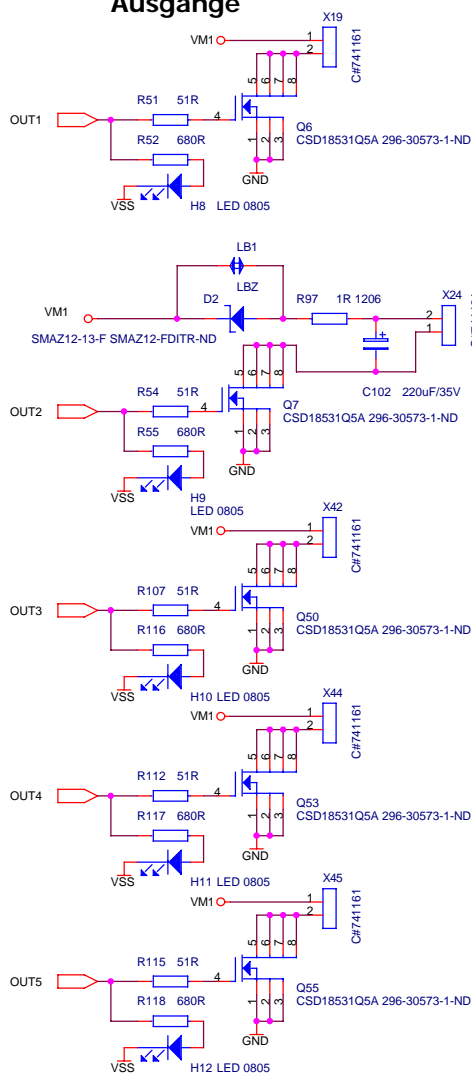
Stepper Driver #5



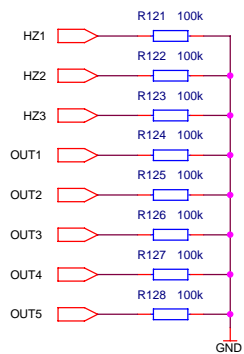
Not-AUS und 230 V Schaltbereich



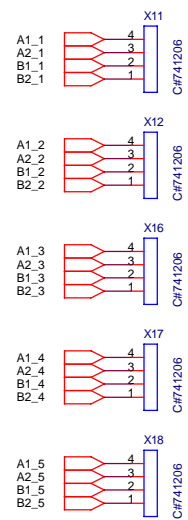
Ausgänge



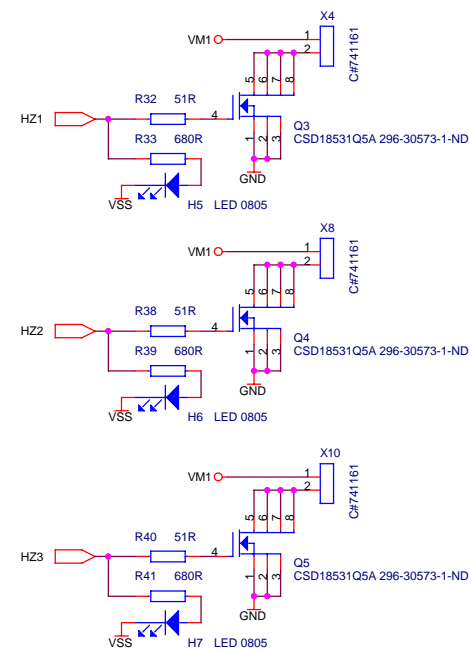
Mosfet Pul-Down



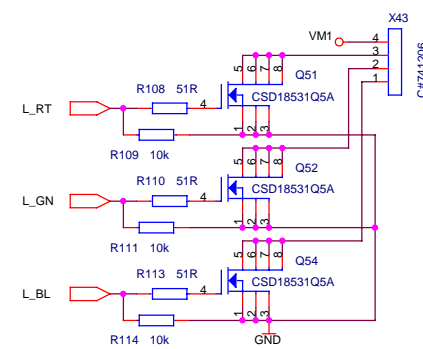
Schritt Motoren



Heizungen



Beleuchtung



| | | | |
|---------------------------------|-------------------------------|--|----------|
| CONRAD | | Conrad Electronic SE | |
| F20131013-01 RFO | | Klaus Conrad Strasse 1 92240 Hirschau | |
| Projekt 1851 CTC V3.0 | | | |
| Größe A3 | Schaltplan Ausgänge | Datum: Friday, October 23, 2015 | Rev 1 |
| | | Blatt 6 | von 6 |