

# ↔ DOMETIC

# REFRIGERATION

# COOLING UNIT

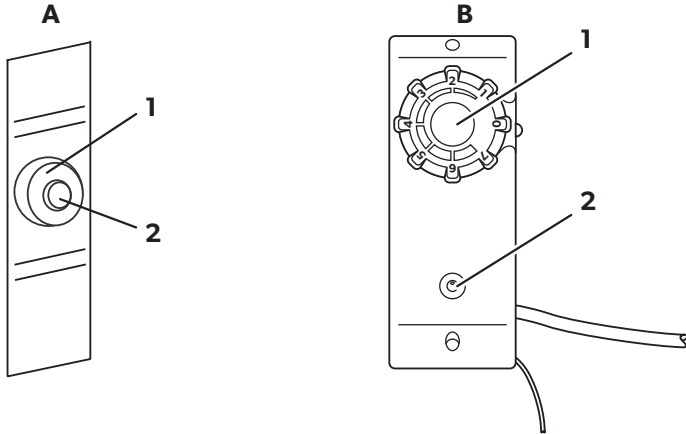


**ColdMachine 50, 54, 55, 84, 85, 86, 94, 95, 96, CS-NC15  
VD-01, VD-02, VD-03, VD-04, VD-05, VD-06, VD-07, VD-08,  
VD-09, VD-14N, VD-15, VD-16, VD-18, VD-21**

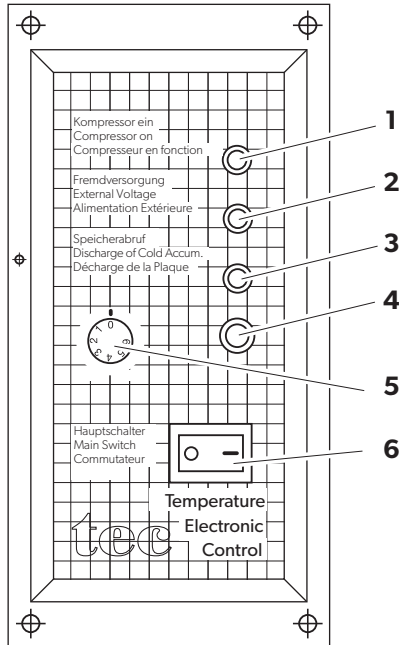
<b>EN</b>	<b>Cooling unit</b> Installation and Operating Manual . . . . . 13	<b>SV</b>	<b>Kylaggregat</b> Monterings- och bruksanvisning . . . . . 206
<b>DE</b>	<b>Kühlaggregat</b> Montage- und Bedienungsanleitung . . . . . 36	<b>NO</b>	<b>Kjøleaggregat</b> Monterings- og bruksanvisning . . . . . 229
<b>FR</b>	<b>Groupe frigorifique</b> Instructions de montage et de service . . . . . 60	<b>FI</b>	<b>Jäähdytysaggregaatti</b> Asennus- ja käyttöohje . . . . . 251
<b>ES</b>	<b>Unidad frigorífica</b> Instrucciones de montaje y de uso . . . . . 85	<b>RU</b>	<b>Холодильный агрегат</b> Инструкция по монтажу и эксплуатации 274
<b>PT</b>	<b>Unidade de refrigeração</b> Instruções de montagem e manual de instruções . . . . . 110	<b>PL</b>	<b>Agregat chłodzący</b> Instrukcja montażu i obsługi . . . . . 300
<b>IT</b>	<b>Gruppo refrigerante</b> Istruzioni di montaggio e d'uso . . . . . 134	<b>SK</b>	<b>Chladiaci agregát</b> Návod na montáž a uvedenie do prevádzky . . . . . 325
<b>NL</b>	<b>Koelaggregaat</b> Montagehandleiding en gebruiksaanwijzing . . . . . 159	<b>CS</b>	<b>Chladicí agregát</b> Návod k montáži a obsluze . . . . . 348
<b>DA</b>	<b>Køleaggregat</b> Monterings- og betjeningsvejledning . . . 183	<b>HU</b>	<b>Hűtőkészülék</b> Szerelési és használati útmutató . . . . . 372

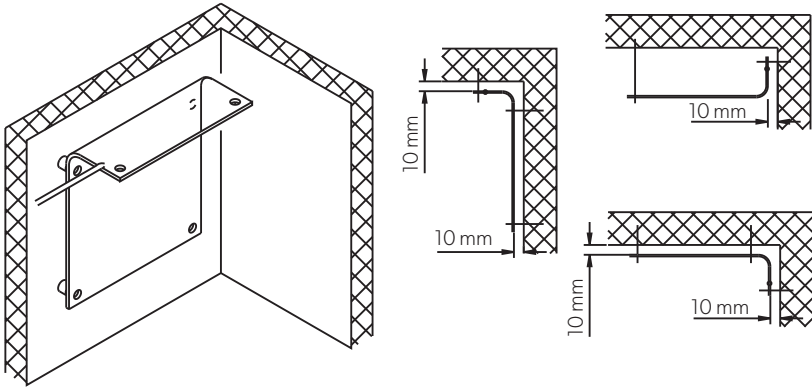
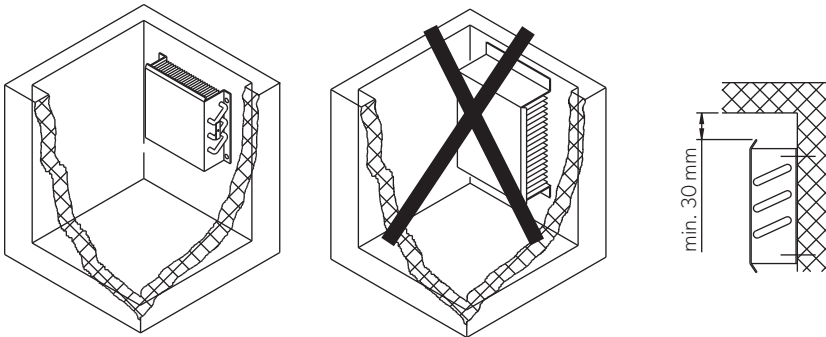
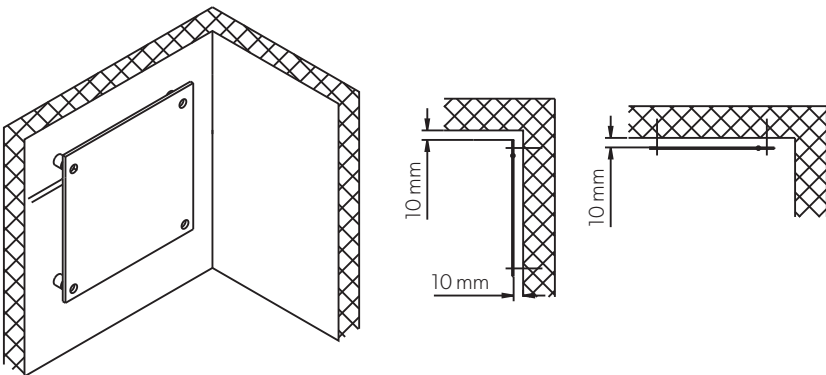
© 2021 Dometic Group. The visual appearance of the contents of this manual is protected by copyright and design law. The underlying technical design and the products contained herein may be protected by design, patent or be patent pending. The trademarks mentioned in this manual belong to Dometic Sweden AB. All rights are reserved.

**1**

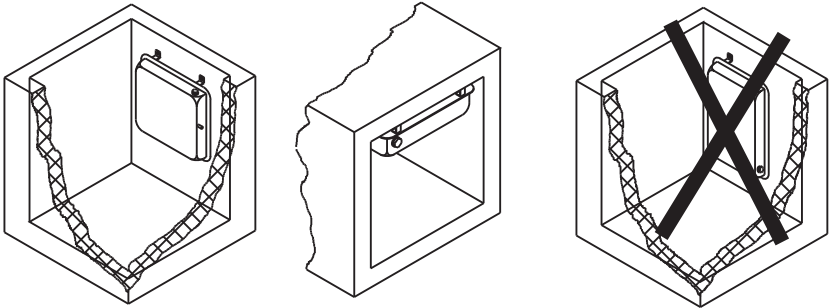


**2**

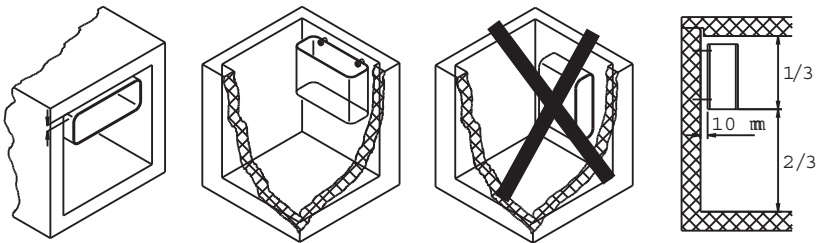


**3** VD-01, VD-04, VD-08**4** VD-03**5** VD-02, VD-05, VD-18, VD-21

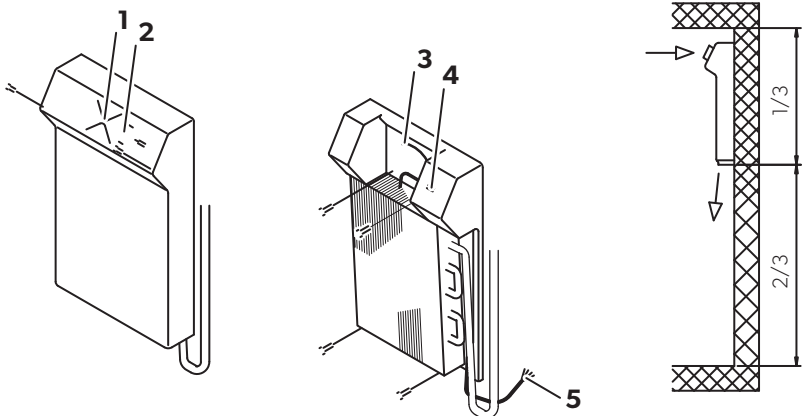
**6** VD-06

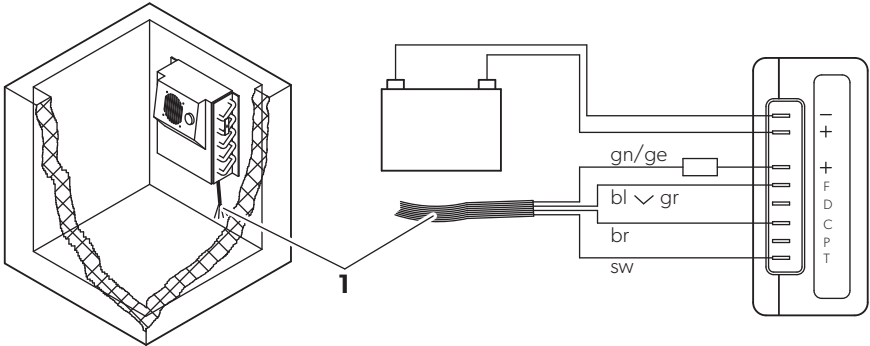
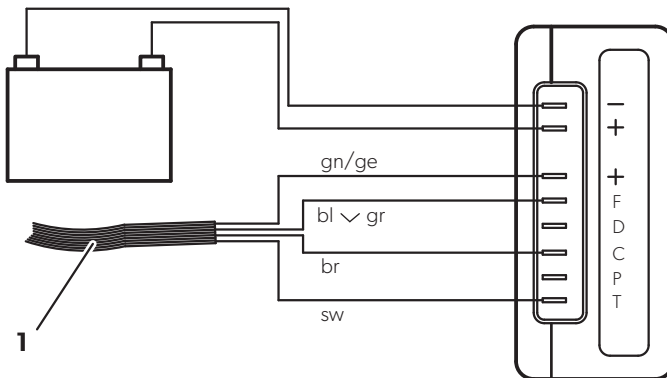
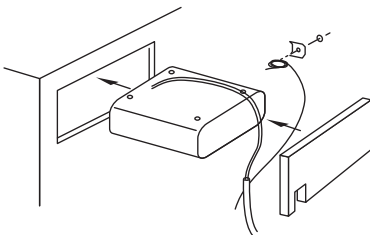
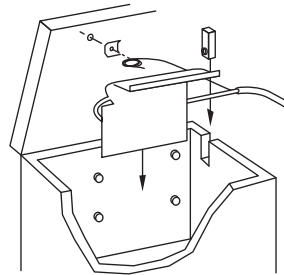


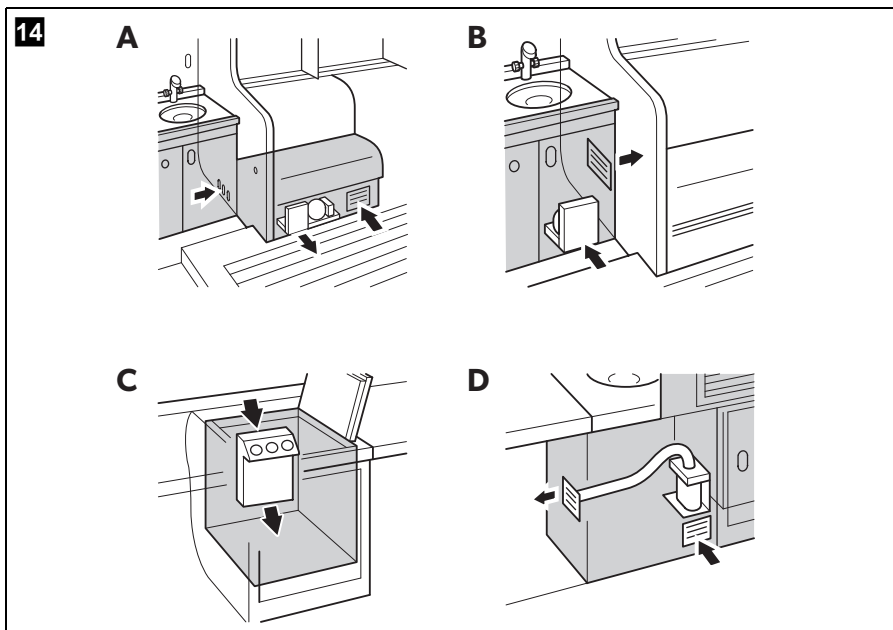
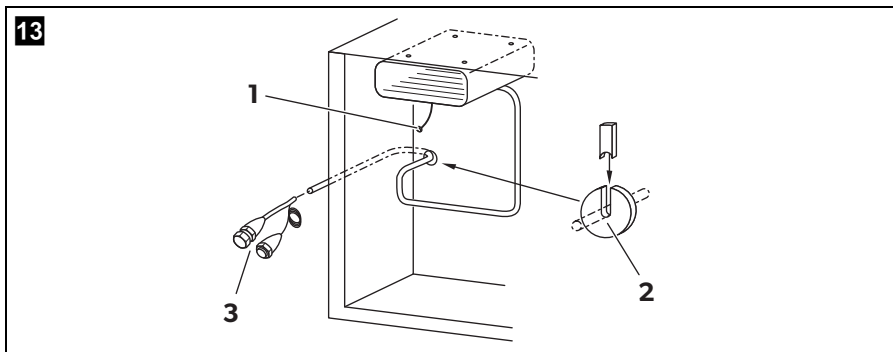
**7** VD-07, VD-09

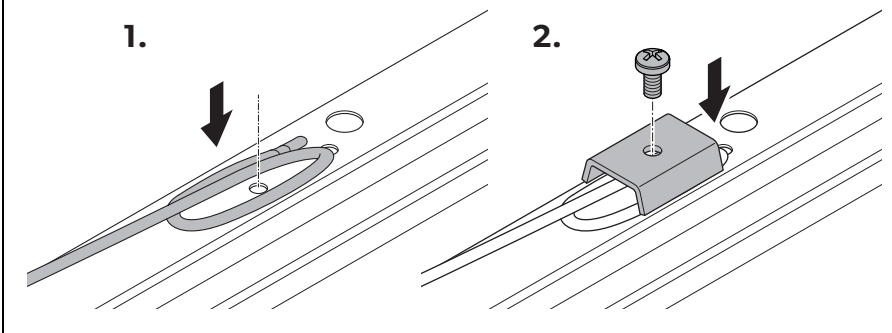
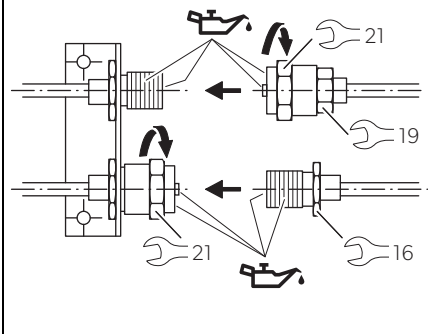
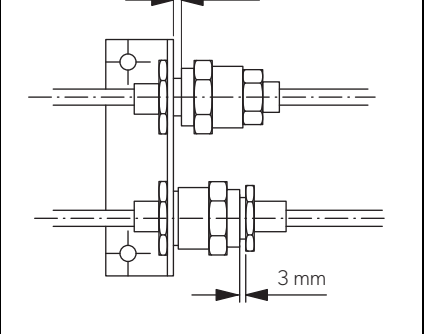
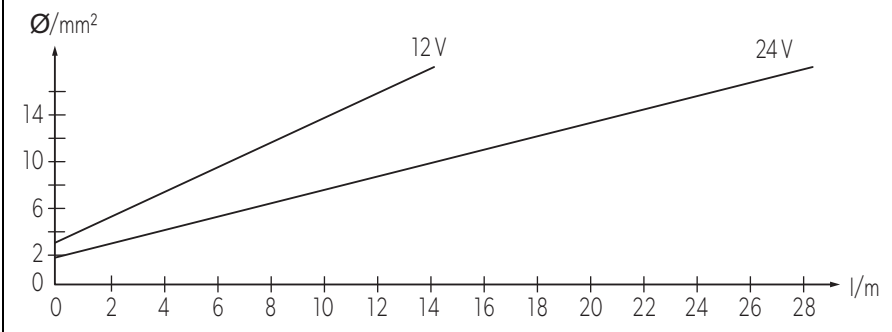


**8** VD-14N, VD-15



**9** VD-16**10** VD-14N, VD-15**11****12**

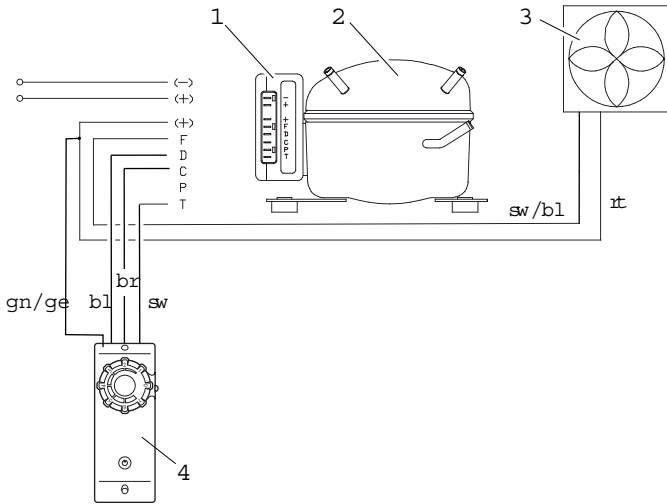


**15****16****17****18**



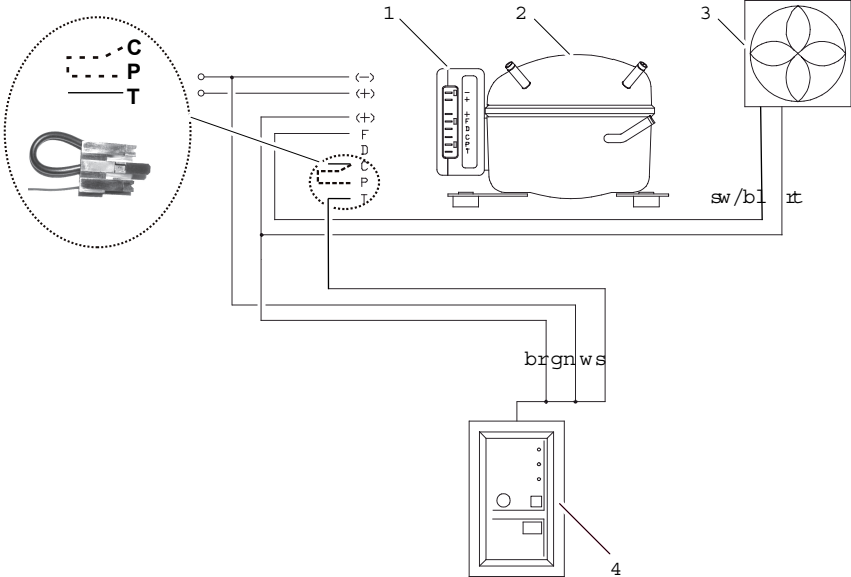
**19**

VD-01, VD-02, VD-03, VD-04, VD-05,  
VD-07, VD-08, VD-09, VD-18, VD-21



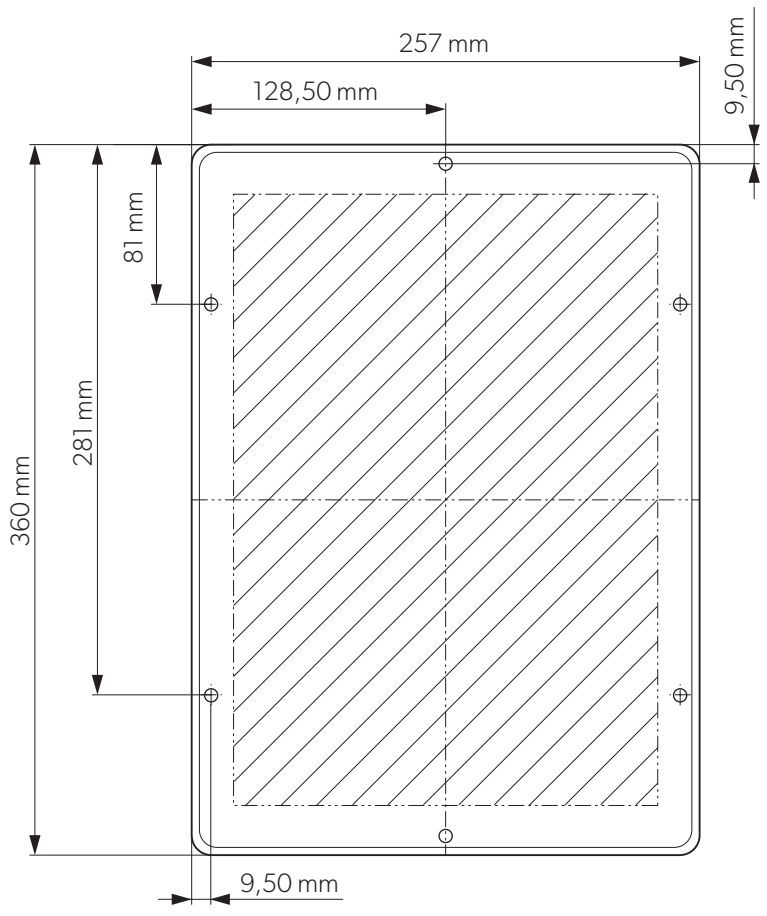
**20**

VD-06

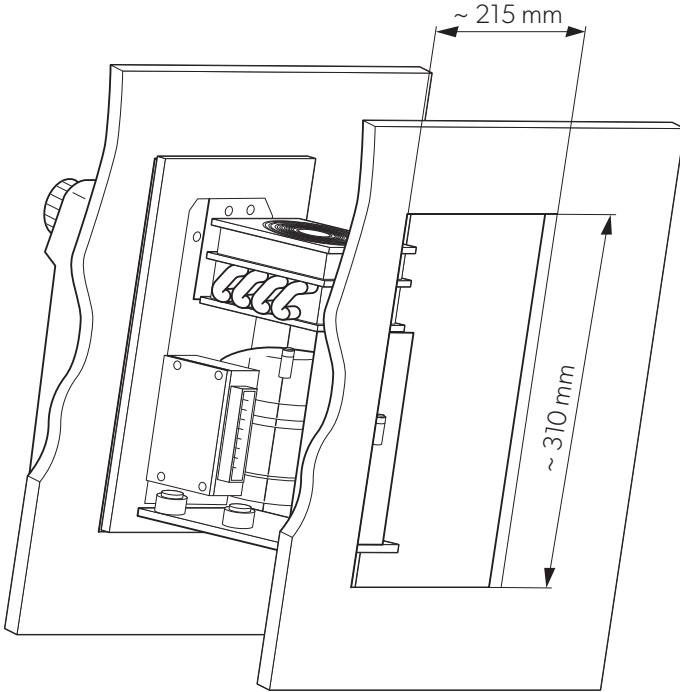


	<b>bl</b>	<b>br</b>	<b>ge</b>	<b>gn</b>	<b>gr</b>	<b>rt</b>	<b>sw</b>	<b>ws</b>	v
<b>EN</b>	Blue	Brown	Yellow	Green	Grey	Red	Black	White	or
<b>DE</b>	Blau	Braun	Gelb	Grün	Grau	Rot	Schwarz	Weiss	oder
<b>FR</b>	Bleu	Marron	Jaune	Vert	Gris	Rouge	Noir	Blanc	ou
<b>ES</b>	Azul	Marrón	Amarillo	Verde	Gris	Rojo	Negro	Blanco	o bien
<b>PT</b>	Azul	Castanho	Amarelo	Verde	Cinzento	Vermelho	Preto	Branco	ou
<b>IT</b>	Blu	Marrone	Giallo	Verde	Grigio	Rosso	Nero	Bianco	oppure
<b>NL</b>	Blaauw	Bruin	Geel	Groen	Grijs	Rood	Zwart	Wit	of
<b>DA</b>	Blå	Brun	Gul	Grøn	Grå	Rød	Sort	Hvid	eller
<b>SV</b>	Blå	Brun	Gul	Grön	Grå	Röd	Svart	Vit	eller
<b>NO</b>	Blå	Brun	Gul	Grønn	Grå	Rød	Svart	Hvit	eller
<b>FI</b>	Sininen	Ruskea	Keltainen	Vihreä	Harmaa	Punainen	Musta	Valkoinen	tai
<b>RU</b>	Синий	Коричневый	Желтый	Зеленый	Серый	Красный	Черный	Белый	или
<b>PL</b>	Niebieski	Brazowy	Żółty	Zielony	Szary	Czerwony	Czarny	Biały	lub
<b>SK</b>	Modrá	Hnedá	Žltá	Zelená	Sivá	Červená	Čierna	Biela	alebo
<b>CS</b>	Modrá	Hnědá	Žlutá	Zelená	Šedá	Červená	Černá	Bílá	nebo
<b>HU</b>	Kék	Barna	Sárga	Zöld	Szürke	Piros	Fekete	Fehér	vagy

21



22



Please read these instructions carefully and follow all instructions, guidelines, and warnings included in this product manual in order to ensure that you install, use, and maintain the product properly at all times. These instructions **MUST** stay with this product.

By using the product, you hereby confirm that you have read all instructions, guidelines, and warnings carefully and that you understand and agree to abide by the terms and conditions as set forth herein. You agree to use this product only for the intended purpose and application and in accordance with the instructions, guidelines, and warnings as set forth in this product manual as well as in accordance with all applicable laws and regulations. A failure to read and follow the instructions and warnings set forth herein may result in an injury to yourself and others, damage to your product or damage to other property in the vicinity. This product manual, including the instructions, guidelines, and warnings, and related documentation, may be subject to changes and updates. For up-to-date product information, please visit [dometic.com](http://dometic.com).

## Contents

1	Explanation of symbols . . . . .	13
2	Safety instructions . . . . .	14
3	Scope of delivery . . . . .	16
4	Accessories . . . . .	16
5	Intended use . . . . .	16
6	Technical description . . . . .	17
7	Installing the cooling unit . . . . .	18
8	Using the cooling unit . . . . .	25
9	Use coolant accumulator . . . . .	27
10	Warranty . . . . .	28
11	Disposal . . . . .	28
12	Troubleshooting . . . . .	29
13	Technical data . . . . .	31

## 1 Explanation of symbols



### **DANGER!**

**Safety instruction:** Indicates a hazardous situation that, if not avoided, will result in death or serious injury.



### **WARNING!**

**Safety instruction:** Indicates a hazardous situation that, if not avoided, could result in death or serious injury.

**CAUTION!**

**Safety instruction:** Indicates a hazardous situation that, if not avoided, could result in minor or moderate injury.

**NOTICE!**

Indicates a situation that, if not avoided, can result in property damage.

**NOTE**

Supplementary information for operating the product.

## 2 Safety instructions

### 2.1 General safety

**DANGER!**

- **Danger of fatal injuries!**

**When using the device on boats:** if the device is powered by the mains, ensure that the power supply has a residual current circuit breaker!

**WARNING!**

- This device may only be installed and repaired by a qualified technician. Inadequate repairs can lead to considerable hazards. Should your device need to be repaired, please contact customer services.
- Do not operate the device if it is visibly damaged.
- Do not open the refrigerant circuit under any circumstances. An exception to this is when the device has to be disconnected for return shipping (chapter "Installing the external temperature regulator" on page 21).
- Set up the device in a dry location where it is protected against splashing water.
- Do not place the device near naked flames or other heat sources (heaters, direct sunlight, gas ovens etc.).
- Make sure that the compressor is sufficiently ventilated.
- **Electronic devices are not toys!**  
Always keep and use the device out of the reach of children.

- People (including children) whose physical, sensory or mental capacities or whose lack of experience or knowledge prevent them from using this product safely should not use it without the supervision or instruction of a responsible person.
- Before you start up the device for the first time, check that the operating voltage matches the battery voltage (see type plate).
- If the connection cable is damaged, it must be replaced to prevent possible electrical hazards. Only replace a damaged connection cable with a connection cable of the same type and specifications.
- Do not store any explosive substances, such as spray cans with propellants in the device.

## 2.2 Operating the device safely



### **DANGER! Danger of fatal injuries!**

- Do not touch exposed cables with your bare hands. This especially applies when operating the device from the AC mains.



### **NOTICE!**

- Never use cleaners that contain sand, acids or solvents to clean the evaporator.
- Protect the device against rain and moisture.
- Disconnect the cooling device and other consumer units from the battery before you connect the quick charging device.



### **NOTE**

- Disconnect the device if you are not going to use it for a prolonged period.

## 2.3 Safety precautions when handling batteries



### **CAUTION! Danger of injury!**

- Batteries contain aggressive and caustic acids. Avoid battery fluid coming into contact with your body. If your skin does come into contact with battery fluid, wash the part of your body in question thoroughly with water.
- If you connect the device to a battery, make sure that no food comes into contact with the battery acid.

### 3 Scope of delivery

Quantity	Description
1	Cooling unit or evaporator
1	Operating manual

### 4 Accessories

If you wish to operate the cooling unit from the 230 V AC mains, please use one of the following rectifiers.

Available as accessory (not included in scope of delivery):

Description	Item number
CoolPower EPS100 rectifier For devices with BD35F compressor (50/80/CS/CS series)	9600000440
CoolPower MPS35 rectifier For devices with BD35F compressor (50/80/CS/CS series)	9600000445
CoolPower MPS50 rectifier For devices with BD50F compressor (90 series)	9600000441

### 5 Intended use

The cooling unit is suited for building your own refrigerator or cooler.

The cooler unit is suitable for cooling and freezing food. The device is also suitable for use on boats.

This product is only suitable for the intended purpose and application in accordance with these instructions.

This manual provides information that is necessary for proper installation and/or operation of the product. Poor installation and/or improper operating or maintenance will result in unsatisfactory performance and a possible failure.

The manufacturer accepts no liability for any injury or damage to the product resulting from:

- Incorrect assembly or connection, including excess voltage
- Incorrect maintenance or use of spare parts other than original spare parts provided by the manufacturer



- Alterations to the product without express permission from the manufacturer
- Use for purposes other than those described in this manual

Dometic reserves the right to change product appearance and product specifications.

## 6 Technical description

The cooling units are suitable for use with 12 V or 24 V DC voltage and can therefore be used for camping or on boats. Furthermore, you can connect them to a 230 V mains supply via the rectifiers (see chapter “Accessories” on page 16).

When used on boats, the cooling unit can withstand a constant heeling of 30°.

The cooling unit must be used together with an evaporator. In addition, you can use an accumulator with or without TEC control. The **CS-NC15** comprises a cooling unit and an evaporator.

Use the continuously variable thermostat on the evaporator to set the desired temperature.

The accumulator and TEC program control ensure a high cooling capacity and improve the unit's efficiency. The accumulator is charged when there is a sufficient supply of power (for example when powered by a mains adapter). In the event of accumulator usage or under-voltage, the coolant is drawn from the accumulator until it is empty. Thus, no power is taken from the battery during this time.

The TEC program control always ensures that

- Cold energy is stored if there is excess electrical energy (external supply of power by a generator).
- The coolant accumulator can be used at any time to ensure that the complete battery power is used for other consumers.
- Stored cold energy is automatically retrieved to preserve the interior cooling temperature of the cooling area, once the battery capacity is exhausted.



### NOTE

Further information on the coolant accumulator can be found in chapter “Use coolant accumulator” on page 27.

## 6.1 Battery monitor

The cooling device is equipped with an electronic device to protect against reversing the polarity when connecting to a battery. To protect the battery, the cooling device switches off automatically if the voltage is insufficient (see following table).

### Devices without TEC control

Connection voltage	Switch-off voltage	Restart voltage
12 V	10.4 V	11.7 V
24 V	22.8 V	24.2 V

### Devices with TEC control

Connection voltage	Switch-off voltage	Restart voltage
12 V	10.7 V	13.0 V
24 V	22.0 V	26.0 V

## 7 Installing the cooling unit



### WARNING!

The installation may only be performed by a qualified technician.

### 7.1 Tools required

For **installation and assembly**, you will need the following tools:

- Drill
- Screwdriver
- Open-ended spanner: 16 mm, 19 mm and 21 mm
- Sealant and PUR foam
- Cable, cable lugs and cable clips
- Ester oil

## 7.2 Notes on the cooling container

### Permitted cooling area contents

Make sure that maximum cooling area contents specified are not exceeded for the respective evaporator type (see chapter “Technical data” on page 31).

### Minimum insulation

The maximum cooling area contents are based on a minimum insulation thickness of 35 mm of foam polyurethane with a density of 40 kg/m<sup>3</sup>. If other insulating materials are used such as styrofoam, double the wall thickness to attain the same level of heat insulation.

### Installing the evaporator

The evaporator must be installed in the cooling container (except **CS-NC15**, the evaporator is premounted).

Observe the following in the process:

- Correct installation position (fig. **3**, page 4 up to fig. **9**, page 6)
- Arrangement in the cooling container as far to the top as possible
- Install a least 10 mm from the wall (**not VD-14N and VD-15**).



#### NOTICE!

For cooling units without valve couplings (ready-to install units): Do not open the refrigerant circuit during installation. You may have to make the wall openings larger to be able to slide the evaporator through them (fig. **11**, page 6). Or alternatively, you create an opening that allows you to install the cooling lines at the top (fig. **12**, page 6).

### Connecting the evaporator

- Connect the evaporators **VD-14N and VD-15** in accordance with fig. **10**, page 6.
- Connect evaporator **VD-16** according to fig. **9**, page 6.
- Connect other evaporators according to fig. **19**, page 9.

**Keys for the illustrations**

No. in fig. <b>8</b> , page 5	Explanation
1	DC fan
2	Thermostat button
3	Connection plug for DC fan
4	Thermostat
5	Connection cable

No. in fig. <b>9</b> , page 6	Explanation
1	Connection cable

No. in fig. <b>10</b> , page 6	Explanation
1	Connection cable

No. in fig. <b>19</b> , page 9 and fig. <b>20</b> , page 9	Explanation
1	Connection block
2	Compressor
3	Fan
4	Switch fig. <b>19</b> or TEC controller fig. <b>20</b>

**NOTICE!**

Carefully insulate and seal off the wall openings after installation to prevent moisture penetration.

**For cooling units with valve couplings**

- ▶ Cut out a hole with a diameter of at least 30 mm (fig. **13**, page 7) for the cooling lines. To do this, use a circular cutter.

**NOTICE!**

Never bend the connecting line between the evaporator and the unit. The minimum bending radius is 25 mm.

### 7.3 Installing the cooling unit

It is important to select the proper location for setting up the unit. To ensure trouble-free operation, please note the following points:

- Set up the cooling unit in a dry, sheltered place. Avoid placing it near heat sources such as radiators, gas ovens or hot water pipes. Do not place in direct sunlight.
- On a boat, install the cooling unit, if possible, below the waterline.
- The refrigeration unit functions at a tilt angle of up to 30°. Install the unit on a flat base so that it will still operate, even at the strongest possible inclination.
- The heated air must dissipate unhindered (fig. 14, page 7).
- When installing the cooling unit in a closed room such as a wardrobe, pantry or aft compartment, openings must have a cross section of at least 200 cm<sup>2</sup> (25 cm x 8 cm) for cooling and exhaust air.
- Make sure that the air flow on the condenser (fig. 14 C, page 7) is not restricted.
- Maintain a minimum distance between the condenser and adjoining wall of 50 mm.
- **CS-NC15:** Observe the drilling template (fig. 21, page 11) and the installation drawing (fig. 22, page 12).

### 7.4 Installing the external temperature regulator

#### Mechanical thermostat

The temperature regulator can be mounted either on the outside or inside of the cooling container. The interior temperature is regulated depending on the surface temperature of the evaporator, or **for VD-14N and VD-15**, depending on the room temperature.

- ▶ Connect the coiled end of the sensor cable to the evaporator (fig. 15, page 8, **not VD-14N, VD-15**) using the clamping plate. This is premounted on **VD-14N, VD-15**.
- ▶ Make sure that the sensor line does not make contact anywhere else with the evaporator or with the suction line.

## TEC control

The TEC control must be attached outside of the cooling container. The internal temperature is regulated according to the evaporator surface temperature.

The temperature sensor has been factory-mounted to the accumulator.

- ▶ Connect the temperature sensor with the TEC control via the plug-in coupling.

## Mount the one-way couplings (not CS-NC15)



### NOTICE!

Only persons who are skilled and knowledgeable in the field of refrigeration technology may connect one-way couplings. The general regulations for handling refrigerants must be observed!

The one-way couplings are only suitable for connecting the refrigeration units once. Re-opening or improper connection of the couplings will result in a complete loss of the refrigerant and in the failure of the refrigeration unit!

In such cases, the two previously connected parts of the cooling unit must be disassembled and sent in. At the factory, the one-way couplings are renewed and the product is refilled with refrigerant.

The two components of the refrigeration unit – the evaporator and the compressor-condenser unit – are supplied separately. The components are connected with one-way couplings. The refrigerant quantity required to operate the entire refrigeration unit is already contained in the two components. A subsequent filling with refrigerant is, therefore, not necessary.

- ▶ Assemble the compressor-condenser unit and the evaporator unit.
- ▶ Remove the protective caps and plugs from the unconnected halves of the one-way coupling of the compressor-condenser unit and the evaporator unit.
- ▶ Carefully clean the coupling seat and the threaded surface to prevent dirt or foreign material from entering the system.



### NOTICE! Risk of coolant leakage

- Always use two wrenches when tightening the one-way couplings to prevent the pipes from twisting!
- Reusing the one-way couplings is not permitted!
- Determine which of the two one-way clutch connections is more difficult to access with the wrench and connect it first.
- Always connect only one one-way coupling connection and then the second.

**NOTE**

The O-ring is only an interim seal during the initial connection of the one-way couplings. This O-ring is only used for the initial sealing between the piercing of the diaphragm and the final metallic sealing. A leak-free seal is only achieved by a metallic connection between the two coupling halves.

- ▶ Apply refrigerant oil to the internal and external threads and to the internal mandrels (fig. **16**, page 8).
- ▶ Connect the two halves of the coupling and screw them together by hand at first (fig. **17**, page 8). Do not use a wrench!

**One-way coupling with union nut:**

- ▶ Screw on the coupling half with the union nut using a wrench size 21 mm and a wrench size 19 mm up to the end of the thread or until a noticeable resistance is felt. Do not tighten the screw connection yet.

The wrench size 19 mm serves as a guide when screwing on the union nut.

**Connection of the one-way coupling with external thread:**

- ▶ Screw on the coupling half with the union nut using a wrench size 21 mm and a wrench size 16 mm up to the end of the thread or until a noticeable resistance is felt. Do not tighten the screw connection yet.

The wrench size 16 mm is used for counterholding when screwing on the union nut.

- ▶ Use a pencil to draw a line lengthwise from the union nut to the bracket of the opposite coupling half.
- ▶ Now tighten the union nut firmly with a torque of 30 Nm or another 1/4 turn. The offset of the line shows how strongly the one-way coupling was tightened. This last turn is necessary to ensure a leak-free connection between the coupling halves.

**NOTE**

The distance between the beginning of the union nut and the hexagon of the external thread must not exceed 3 mm (fig. **17**, page 8).

- ▶ Perform a leak test on the coupling connections. This ensures that the one-way couplings are correctly connected and the sealing is functional.

## 7.5 Connecting the cooling unit

### Connecting to a battery

The cooling unit can be operated from a 12 V or a 24 V DC voltage supply.



#### NOTICE!

To avoid voltage loss and therefore a drop in performance, the cable should be kept as short as possible and should not be interrupted. For this reason avoid additional switches, plugs or power strips.

- ▶ Determine the required cross section of the cable in relation to the cable length according to fig. **18**, page 8.

Key for fig. **18**, page 8

Co-ordinate axis	Meaning	Unit
l	Cable length	m
∅	Cable cross section	mm <sup>2</sup>



#### NOTICE!

Make sure that the polarity is correct.

- ▶ Before you start up the unit for the first time, check that the operating voltage matches the battery voltage (see type plate).
- ▶ Connect your cooling unit
  - as directly as possible to the pole of the battery or
  - to a plug socket which is fuse protected with at least 15 A (at 12 V) or 7.5 A (at 24 V).



#### NOTICE!

Disconnect the cooling device and other power consuming devices from the battery before you connect the battery to a quick charging device. Overvoltage can damage the electronics of the device.

For safety reasons the cooling unit is equipped with an electronic system to prevent polarity reversal. This protects the cooling unit when it is connected to a battery.



## Connecting to a 230 V mains supply



### WARNING!

- Never handle plugs and switches with wet hands or if you are standing on a wet surface.
- If you are operating your cooling device on board a boat with a mains connection of 230 V from the land, you must install a residual current circuit breaker between the 230 V mains supply and the cooling device.  
Seek advice from a trained technician.

- ▶ To operate the cooling unit from the 230 V mains, use the rectifier
  - CoolPower EPS100 for devices with BD35F compressor (50/80/CS/CS series),
  - CoolPower MPS35 for devices with BD35F compressor (50/80/CS/CS series),
  - CoolPower MPS50 for devices with BD50F compressor (90 series).



### NOTE

The output voltage of the described rectifier is 24 V. Please remember this when connecting other consumers at a later time.

## 8 Using the cooling unit

### 8.1 Energy saving tips

- Choose a well ventilated installation location which is protected from direct sunlight.
- Allow hot food to cool down first before placing it in the device.
- Do not open the refrigerated container more often than necessary.
- Do not leave the door open for longer than necessary.
- Defrost the refrigerated container once a layer of ice forms.
- Avoid unnecessary low temperatures.
- Clean the condenser of dust and dirt at regular intervals.
- Clean the lid seal regularly.

## 8.2 Start the cooling unit

### Devices without TEC control

- ▶ Switch in the cooling unit by turning the control button clockwise (fig. **1** A1 or B1, page 3).

If you turn the control button further, you can regulate the temperature. Devices with energy storage function offer a storage activation button (fig. **1** A2, page 3).



#### NOTE

If the red LED flashed or glows, a fault has occurred and the system cannot be operated (see error table in Chapter chapter "LED on the thermal element (fig. **1** 2, page 3)" on page 29).

### Devices with TEC control

Devices with TEC control are started by actuating the main switch (fig. **2** 6, page 3). You can then regulate the temperature (fig. **2** 5, page 3) with the temperature selector.

## 8.3 Shutting down the cooling unit

If you do not intend to use the cooling device for a prolonged period, proceed as follows:

- ▶ **Devices without TEC control:** Turn the control to 0.
- ▶ **Devices with TEC control:** Switch off the device with the main switch (fig. **2** 6, page 3).
- ▶ Disconnect the power cable from the battery or pull the DC cable plug out of the rectifier.
- ▶ Clean the cooling device.
- ▶ Leave the door slightly open over the cover.  
This prevents odour build-up.

## 9 Use coolant accumulator

### 9.1 Display and control elements of devices with TEC program control

No. in fig. <b>2</b> , page 3	Explanation
1	Green LED: Indicates that the compressor is working.
2	Yellow LED: indicates that the external power supply is present (voltage is higher than 13.5 V or 27.0 V). The LED flashes if the external power supply is too low (voltage $\leq 10.7$ V or 21.7 V. Version E: $\leq 10.7$ V or 22.0 V).
3	Red LED: indicates that the accumulator is being discharged because <ul style="list-style-type: none"> <li>• the discharge button has been pressed</li> <li>• Low voltage shutdown (voltage <math>\leq 10.7</math> V or 21.4 V. Version E: <math>\leq 10.7</math> V or 22.0 V).</li> </ul>
4	Accumulator discharge button: interrupts compressor operation until <ul style="list-style-type: none"> <li>• the stored cold energy is exhausted</li> <li>• The external supply voltage level is restored after low voltage.</li> </ul>
5	Temperature selector: allows the temperature in the cooling area to be set as required Min. (left limit) = warmest setting Max. (right limit) = coldest setting
6	Main switch: for switching the cooling device on and off. Position 0 = OFF Position – = ON

### 9.2 Accumulator function

The accumulator function ensures that cold energy is stored automatically (up to 8 hours) if enough electrical power is available, for example when supplied by a mains adapter.

Stored cooling power is discharged

- automatically when the switch-off voltage is reached (see the table on page 18)
- or manually by pressing the discharge button (fig. **1** A2 or fig. **2** 4, page 3).

**NOTE**

The cold accumulator can only be discharged manually if it was fully charged beforehand.

The accumulator is automatically charged if,

- the restart voltage is exceeded
- or the accumulator is empty and you switch the device off and on again using the control button (fig. **2** 6, page 3, does only function on VD-06).

**NOTICE!**

When you are discharging the accumulator, although there is an external supply of power – for example to avoid operating noise from the compressor – use the main switch to switch the unit off (fig. **1** B1 or fig. **2** 6, page 3).

**NOTE**

Please remember: Low internal temperature = high current consumption!

## 10 Warranty

The statutory warranty period applies. If the product is defective, please contact the manufacturer's branch in your country (see [dometic.com/dealer](http://dometic.com/dealer)) or your retailer.

For repair and warranty processing, please include the following documents when you send in the device:

- A copy of the receipt with purchasing date
- A reason for the claim or description of the fault

## 11 Disposal

- ▶ Place the packaging material in the appropriate recycling waste bins, wherever possible.



If you wish to finally dispose of the product, ask your local recycling center or specialist dealer for details about how to do this in accordance with the applicable disposal regulations.

## 12 Troubleshooting

### LED on the thermal element (fig. 1 2, page 3)

Number of flashes	Error type	Remedy
1	Battery protection shutdown	Check battery voltage, fuse and cable cross section
2	Fan overvoltage shutdown	Check condenser and evaporator fan current: total target value < 0.5 A
3	Compressor start-up fault	Reduce load on cooling system: <ul style="list-style-type: none"> <li>• Ensure good ventilation around the cooling unit</li> <li>• Store pre-cooled goods</li> </ul>
4	Compressor overload shutdown	Reduce load on cooling system: <ul style="list-style-type: none"> <li>• Ensure good ventilation around the cooling unit</li> <li>• Store pre-cooled goods</li> </ul>
5	Electronic fuse shutdown	Reduce load on cooling system: <ul style="list-style-type: none"> <li>• Ensure good ventilation around the cooling unit</li> </ul>

### Compressor does not run

Fault	Possible cause	Remedy
$U_T = 0V$	The connection between the battery and the – electronics is interrupted	Establish a connection
	Main switch defective (if installed)	Replace the main switch
	Additional supply line fuse has blown (if installed)	Replace the fuse
$U_T \leq U_{ON}$	Battery voltage is too low	Charge the battery
Start attempt with $U_T \leq U_{OFF}$	Loose cables	Establish a connection
	Poor contact (corrosion)	Establish a connection
	Battery capacity too low	Replace the battery
	Cable cross section too low	Replace the cable (fig. 18, page 8)

<b>Fault</b>	<b>Possible cause</b>	<b>Remedy</b>
Start attempt with $U_T \geq U_{ON}$	Ambient temperature too high	–
	Insufficient ventilation and/or cooling	Provide improved ventilation for the cooling unit
	Condenser is dirty	Clean the condenser
	Fan defective (if installed)	Replace the fan

$U_T$  Voltage between the positive and negative electronic terminals

$U_{ON}$  Switch-on voltage of the electronics

$U_{OFF}$  Switch-off voltage of the electronics

### Interior temperature too low in control setting 1

<b>Fault</b>	<b>Possible cause</b>	<b>Remedy</b>
Compressor runs constantly	Thermostat sensor has no contact on the evaporator	Secure the sensor
	Thermostat defective	Change the thermostat
Compressor runs for a long time	Large quantities have been frozen in the freezer compartment	–

### Cooling capacity drops, interior temperature rises

<b>Fault</b>	<b>Possible cause</b>	<b>Remedy</b>
Compressor runs for a long time/continuously	Evaporator is iced over	Defrost the evaporator
	Ambient temperature too high	–
	Insufficient ventilation and/or cooling	Provide improved ventilation for the cooling unit
	Condenser is dirty	Clean the condenser
Compressor runs infrequently	Fan defective (if installed)	Replace the fan
	Battery capacity exhausted	Charge the battery

## Unusual noises

Fault	Possible cause	Remedy
Loud humming	A component of the refrigerant circuit cannot move freely (lies against the wall)	Bend the component carefully away from the obstruction
	Foreign body jammed between the cooling device and the wall	Remove the foreign body
	Fan noise (if installed)	Clean the fan blades

## 13 Technical data

	50	54	55
Max. cooling area contents:	80 litres	130 litres	
Connection voltage:	12 V $\overline{=}$ or 24 V $\overline{=}$		
Power consumption:	35 – 40 W, depending on the evaporator type		
Coolant quantity:	28 g	35 g	
CO <sub>2</sub> equivalent:	0.040 t	0.050 t	
Global warming potential (GWP):	1430		
Dimensions (W x H x D) in mm:	315 x 140 x 170	386x155x130	220x160x220
Weight:	3.74 kg	6.0 kg	6.5 kg

	84	85	86
Max. cooling area contents:	250 litres		
Connection voltage:	12 V $\overline{=}$ or 24 V $\overline{=}$		
Coolant quantity:	45 g		
CO <sub>2</sub> equivalent:	0.064 t		
Global warming potential (GWP):	1430		
Dimensions (W x H x D) in mm:	386x155x130	220x155x220	220x230x177
Weight:	6.0 kg	6.0 kg	6.5 kg

	<b>94</b>	<b>95</b>	<b>96</b>
Max. cooling area contents:	400 litres		
Connection voltage:	12 V $\overline{=}$ or 24 V $\overline{=}$		
Coolant quantity:	60 g		
CO <sub>2</sub> equivalent:	0.086 t		
Global warming potential (GWP):	1430		
Dimensions (W x H x D) in mm:	386x155x130	220x155x220	220x230x177
Weight:	6.0 kg	6.0 kg	6.5 kg

	<b>CS-NC15</b>
Max. cooling area contents:	250 litres
Connection voltage:	12 V $\overline{=}$ or 24 V $\overline{=}$
Coolant quantity:	60 g
CO <sub>2</sub> equivalent:	0.086 t
Global warming potential (GWP):	1430
Dimensions (W x H x D) in mm:	360x255x275
Weight:	8.5 kg

	<b>VD-01</b>	<b>VD-02</b>	<b>VD-03</b>	<b>VD-04</b>
Max. cooling area content at 35 mm PU insulation:	80 litres	30 litres	170 litres	130 litres
Max. cooling area content at 50 mm PU insulation:	100 litres	50 litres	200 litres	170 litres
Power consumption:	35 W	35 W	50 W	45 W
Voltage	12 V $\overline{=}$ or 24 V $\overline{=}$			
Coolant quantity:	17 g		20 g	30 g
CO <sub>2</sub> equivalent:	0.024 t		0.029 t	0.043 t



	<b>VD-01</b>	<b>VD-02</b>	<b>VD-03</b>	<b>VD-04</b>
Global warming potential (GWP):	1430			
Dimensions (W x H x D) in mm:	300x245x110	275x215x25	380x230x82	375x255x100
Weight:	1.5 kg	1.0 kg	2.0 kg	1.5 kg
	<b>CU-50 + VD-01</b>	<b>CU-50 + VD-02</b>	<b>CU-50 + VD-07</b>	
Max. cooling area content at 35 mm PU insulation:	50 litres	30 litres	60 litres	
Max. cooling area content at 50 mm PU insulation:	75 litres	50 litres	80 litres	
Power consumption:	30 W			
Temperature:	ambient: 32 °C, internal: 5 °C			
	<b>VD-05</b>	<b>VD-07</b>	<b>VD-08</b>	<b>VD-09</b>
Max. cooling area content at 35 mm PU insulation:	130 litres	100 litres	160 litres	160 litres
Max. cooling area content at 50 mm PU insulation:	170 litres	130 litres	180 litres	180 litres
Power consumption:	45 W	35 W	60 W	60 W
Voltage	12 V <sup>===</sup> or 24 V <sup>===</sup>			
Coolant quantity:	30 g	45 g	15 g	65 g
CO <sub>2</sub> equivalent:	0.043 t	0.064 t	0.021 t	0.093 t
Global warming potential (GWP):	1430			
Dimensions (W x H x D) in mm:	375x350x25	255x210x90	450x270x340	365x140x270
Weight:	1.5 kg	1.5 kg	2.0 kg	2.0 kg

	<b>VD-14N</b>	<b>VD-15</b>	<b>VD-18</b>
Max. cooling area content at 35 mm PU insulation:	300 litres	200 litres	100 litres
Max. cooling area content at 50 mm PU insulation:	400 litres	250 litres	150 litres
Power consumption:	80 W	60 W	45 W
Voltage	12 V <sup>===</sup> or 24 V <sup>===</sup>		
Coolant quantity:	15 g		
CO2 equivalent:	0.021 t		
Global warming potential (GWP):	1430		
Dimensions (W x H x D) in mm:	220x275x65	220x275x65	350x250x25
Weight:	2.5 kg	1.5 kg	1.5 kg

	<b>VD-16</b>	<b>VD-21</b>
Max. cooling area content at 60 mm PU insulation:	130 litres	250 litres
Max. cooling area content at 100 mm PU insulation:	200 litres	300 litres
Power consumption:	60 W	60 W
Voltage	12 V <sup>===</sup> or 24 V <sup>===</sup>	
Coolant quantity:	40 g	10 g
CO2 equivalent:	0.057 t	0.014 t
Global warming potential (GWP):	1430	
Dimensions (W x H x D) in mm:	330x260x130	1370x305x10
Weight:	2.5 kg	4.0 kg

	<b>VD-16 for series 80</b>	<b>VD-16 for series 90</b>
Max. cooling area content at 35 mm PU insulation:	120 litres	200 litres
Max. cooling area content at 50 mm PU insulation:	200 litres	250 litres
Power consumption:	65 W	80 W
Voltage	12 V <sup>===</sup> or 24 V <sup>===</sup>	
Coolant quantity:	40 g	
CO2 equivalent:	0.057 t	
Global warming potential (GWP):	1430	
Dimensions (W x H x D) in mm:	380x300x62	
Weight:	5.0 kg	

**Test/certificates:**

The coolant circuit contains R-134a.

Contains fluorinated greenhouse gases

Lesen und befolgen Sie bitte alle Anweisungen, Richtlinien und Warnhinweise in diesem Produkthandbuch sorgfältig, um sicherzustellen, dass Sie das Produkt ordnungsgemäß installieren und stets ordnungsgemäß betreiben und warten. Diese Anleitung MUSS bei dem Produkt verbleiben.

Durch die Verwendung des Produktes bestätigen Sie hiermit, dass Sie alle Anweisungen, Richtlinien und Warnhinweise sorgfältig gelesen haben und dass Sie die hierin dargelegten Bestimmungen verstanden haben und ihnen zustimmen. Sie erklären sich damit einverstanden, dieses Produkt nur für den angegebenen Verwendungszweck und gemäß den Anweisungen, Richtlinien und Warnhinweisen dieses Produkthandbuchs sowie gemäß allen geltenden Gesetzen und Vorschriften zu verwenden. Eine Nichtbeachtung der hierin enthaltenen Anweisungen und Warnhinweise kann zu einer Verletzung Ihrer selbst und anderer Personen, zu Schäden an Ihrem Produkt oder zu Schäden an anderem Eigentum in der Umgebung führen. Dieses Produkthandbuch, einschließlich der Anweisungen, Richtlinien und Warnhinweise, sowie die zugehörige Dokumentation können Änderungen und Aktualisierungen unterliegen. Aktuelle Produktinformationen finden Sie unter [dometic.com](http://dometic.com).

## Inhalt

1	Erklärung der Symbole . . . . .	36
2	Sicherheitshinweise . . . . .	37
3	Lieferumfang . . . . .	39
4	Zubehör . . . . .	39
5	Bestimmungsgemäßer Gebrauch . . . . .	39
6	Technische Beschreibung . . . . .	40
7	Kühlaggregat einbauen . . . . .	42
8	Kühlaggregat benutzen . . . . .	49
9	Kältespeicher benutzen . . . . .	51
10	Gewährleistung . . . . .	52
11	Entsorgung . . . . .	52
12	Störungsbeseitigung . . . . .	53
13	Technische Daten . . . . .	55

## 1 Erklärung der Symbole



### GEFAHR!

**Sicherheitshinweis** auf eine Gefahrensituation, die zum Tod oder zu schwerer Verletzung führt, wenn sie nicht vermieden wird.



### WARNUNG!

**Sicherheitshinweis** auf eine Gefahrensituation, die zum Tod oder zu schwerer Verletzung führen kann, wenn sie nicht vermieden wird.

**VORSICHT!**

**Sicherheitshinweis** auf eine Gefahrensituation, die zu einer leichten oder mittelschweren Verletzung führen kann, wenn sie nicht vermieden wird.

**ACHTUNG!**

Hinweis auf eine Situation, die zu Sachschäden führen kann, wenn sie nicht vermieden wird.

**HINWEIS**

Ergänzende Informationen zur Bedienung des Produktes.

## 2 Sicherheitshinweise

### 2.1 Grundlegende Sicherheit

**GEFAHR!**

- **Gefahr von tödlichen Verletzungen!**

**Beim Einsatz auf Booten:** Sorgen Sie bei Netzbetrieb unbedingt dafür, dass Ihre Stromversorgung über einen FI-Schalter abgesichert ist!

**WARNUNG!**

- Der Einbau und die Reparatur des Geräts dürfen nur durch einen qualifizierten Techniker durchgeführt werden. Durch unsachgemäße Reparaturen können erhebliche Gefahren entstehen. Wenden Sie sich im Reparaturfall an den Kundendienst.
- Wenn das Gerät sichtbare Beschädigungen aufweist, dürfen Sie es nicht in Betrieb nehmen.
- Öffnen Sie auf keinen Fall den Kühlkreislauf. Eine Ausnahme besteht, wenn Sie das Gerät für den Rückversand entkoppeln müssen (Kapitel „Externen Temperaturregler einbauen“ auf Seite 45).
- Stellen Sie das Gerät an einem trockenen und gegen Spritzwasser geschützten Platz auf.
- Stellen Sie das Gerät nicht in der Nähe von offenen Flammen oder anderen Wärmequellen (Heizung, direkte Sonneneinstrahlung, Gasöfen usw.) auf.
- Achten Sie darauf, dass der Kompressor ausreichend belüftet wird.

- **Elektrogeräte sind kein Kinderspielzeug!**

Verwahren und benutzen Sie das Gerät außerhalb der Reichweite von Kindern.

- Personen (einschließlich Kinder), die aufgrund ihrer physischen, sensorischen oder geistigen Fähigkeiten oder ihrer Unerfahrenheit oder Unkenntnis nicht in der Lage sind, das Produkt sicher zu benutzen, sollten dieses Produkt nicht ohne Aufsicht oder Anweisung durch eine verantwortliche Person nutzen.
- Kontrollieren Sie vor Inbetriebnahme des Geräts, ob die Betriebsspannung und die Batteriespannung übereinstimmen (siehe Typenschild).
- Wenn das Anschlusskabel beschädigt ist, müssen Sie es ersetzen, um Gefährdungen zu vermeiden. Tauschen Sie ein beschädigtes Anschlusskabel nur gegen ein Anschlusskabel gleicher Art und Spezifikation aus.
- Lagern Sie keine explosionsfähigen Stoffe wie z. B. Sprühdosen mit brennbarem Treibgas im Gerät.

## 2.2 Sicherheit beim Betrieb des Gerätes



### **GEFAHR! Lebensgefahr!**

- Fassen Sie nie mit bloßen Händen an blanke Leitungen. Dies gilt vor allem beim Betrieb des Geräts am Wechselstromnetz.



### **ACHTUNG!**

- Verwenden Sie nie sand-, säure- oder lösungsmittelhaltige Putzmittel zur Reinigung des Verdampfers.
- Schützen Sie das Gerät vor Regen und Feuchtigkeit.
- Klemmen Sie das Kühlgerät und andere Verbraucher von der Batterie ab, bevor Sie ein Schnellladegerät anschließen.



### **HINWEIS**

- Klemmen Sie das Gerät ab, wenn Sie es für längere Zeit nicht benutzen.

## 2.3 Sicherheit beim Umgang mit Batterien



### VORSICHT! Verletzungsgefahr!

- Batterien enthalten aggressive und ätzende Säuren. Verhindern Sie jeden Körperkontakt mit der Batterieflüssigkeit. Sollte es doch zur Berührung mit Batterieflüssigkeit kommen, so spülen Sie das entsprechende Körperteil gründlich mit Wasser ab.
- Wenn Sie das Gerät an eine Batterie anschließen, stellen Sie sicher, dass Lebensmittel nicht mit Batteriesäure in Berührung kommen.

## 3 Lieferumfang

Anzahl	Beschreibung
1	Kühlaggregat oder Verdampfer
1	Bedienungsanleitung

## 4 Zubehör

Falls Sie das Kühlaggregat am 230-V-Wechselstromnetz betreiben wollen, verwenden Sie bitte einen der folgenden Gleichrichter.

Als Zubehör erhältlich (nicht im Lieferumfang enthalten):

Beschreibung	Artikelnummer
Gleichrichter CoolPower EPS100 für Geräte mit Kompressor BD35F (Serie 50/80/CS/CS)	9600000440
Gleichrichter CoolPower MPS35 für Geräte mit Kompressor BD35F (Serie 50/80/CS/CS)	9600000445
Gleichrichter CoolPower MPS50 für Geräte mit Kompressor BD50F (Serie 90)	9600000441

## 5 Bestimmungsgemäßer Gebrauch

Das Kühlaggregat eignet sich zum Selbstbau eines Kühlschranks oder einer Kühlbox.

Das Kühlgerät eignet sich zum Kühlen und Tiefkühlen von Lebensmitteln. Das Gerät ist auch für den Betrieb auf Booten geeignet.

Dieses Produkt ist nur für den angegebenen Verwendungszweck und die Anwendung gemäß dieser Anleitung geeignet.

Dieses Handbuch enthält Informationen, die für die ordnungsgemäße Installation und den ordnungsgemäßen Betrieb des Produkts erforderlich sind. Installationsfehler und/oder ein nicht ordnungsgemäßer Betrieb oder nicht ordnungsgemäße Wartung haben eine unzureichende Leistung und u. U. einen Ausfall des Geräts zur Folge.

Der Hersteller übernimmt keine Haftung für Verletzungen oder Schäden am Produkt, die durch Folgendes entstehen:

- Unsachgemäße Montage oder falscher Anschluss, einschließlich Überspannung
- Unsachgemäße Wartung oder Verwendung von anderen als den vom Hersteller gelieferten Original-Ersatzteilen
- Veränderungen am Produkt ohne ausdrückliche Genehmigung des Herstellers
- Verwendung für andere als die in der Anleitung beschriebenen Zwecke

Dometic behält sich das Recht vor, das Erscheinungsbild des Produkts und dessen technische Daten zu ändern.

## 6 Technische Beschreibung

Die Kühlaggregate sind geeignet für den Einsatz an einer Gleichspannung von 12 V oder 24 V und können somit z. B. auch beim Camping oder auf Booten eingesetzt werden. Außerdem können sie über Gleichrichter an ein 230-V-Netz angeschlossen werden (siehe Kapitel „Zubehör“ auf Seite 39).

Beim Einsatz auf Booten kann das Kühlaggregat einer Dauer-Krängung von 30° ausgesetzt werden.

Das Kühlaggregat muss mit einem Verdampfer komplettiert werden. Zusätzlich können Sie einen Kältespeicher mit oder ohne TEC-Steuerung einsetzen. Bei **CS-NC15** bilden das Kühlaggregat und der Verdampfer eine Einheit.

Über den Thermostat am Verdampfer kann die gewünschte Temperatur stufenlos eingestellt werden.



Kältespeicher und TEC-Programmsteuerung ermöglichen hohe Kühlleistungen und verbessern den Wirkungsgrad. Der Kältespeicher wird bei ausreichender Stromversorgung (z. B. bei Versorgung durch ein Netzgerät) aufgeladen. Bei Speicherabruf oder Unterspannung wird die Kälte dem Kältespeicher entnommen, bis er leer ist. So wird in dieser Zeit die Batterie nicht belastet.

Die TEC-Programmsteuerung sorgt dafür, dass

- Kälteenergie gespeichert wird, wenn überschüssige elektrische Energie vorhanden ist (Fremdversorgung durch Lichtmaschine, Ladegerät, Netzgerät usw.)
- der Kältespeicher jederzeit abgerufen werden kann, um die komplette Batterieenergie für andere Verbraucher zur Verfügung zu stellen
- gespeicherte Kälteenergie automatisch abgerufen wird, um die Innenkühltemperatur des Kühlraums zu erhalten, sobald die Batteriekapazität erschöpft ist.



### HINWEIS

Weitere Informationen zum Kältespeicher finden Sie im Kapitel „Kältespeicher benutzen“ auf Seite 51.

## 6.1 Batteriewächter

Ein elektronischer Verpolungsschutz schützt das Kühlgerät gegen Verpolung beim Batterieanschluss. Zum Schutz der Batterie schaltet sich das Kühlgerät automatisch ab, wenn die Spannung nicht mehr ausreicht (siehe folgende Tabelle).

### Geräte ohne TEC-Steuerung

Anschlussspannung	Ausschaltspannung	Wiedereinschaltspannung
12 V	10,4 V	11,7 V
24 V	22,8 V	24,2 V

### Geräte mit TEC-Steuerung

Anschlussspannung	Ausschaltspannung	Wiedereinschaltspannung
12 V	10,7 V	13,0 V
24 V	22,0 V	26,0 V

## 7 Kühlaggregat einbauen



### WARNUNG!

Der Einbau darf nur durch einen qualifizierten Techniker durchgeführt werden.

### 7.1 Benötigtes Werkzeug

Für **Einbau und Montage** benötigen Sie folgende Werkzeuge:

- Bohrmaschine
- Schraubendreher
- Maulschlüssel: 16 mm, 19 mm und 21 mm
- Dichtungsmasse und Montageschaum
- Kabel, Kabelschuhe und Kabelschellen
- Esteröl

### 7.2 Hinweise zum Kühlbehälter

#### Zulässige Kühlrauminhalte

Achten Sie darauf, dass der angegebene maximale Kühlrauminhalt für den jeweiligen Verdampfer-Typ nicht überschritten wird (siehe Kapitel „Technische Daten“ auf Seite 55).

#### Mindestisolierung

Der maximale Kühlrauminhalt basiert auf einer Mindestisolierung von 35 mm geschäumtem Polyurethan mit einem Raumgewicht von 40 kg/m<sup>3</sup>. Bei Verwendung anderer Isolierstoffe wie z. B. Styropor sind die Wandstärken zu verdoppeln, um die gleiche Wärmedämmung zu erreichen.

#### Verdampfer einbauen

Der Verdampfer muss in den Kühlcontainer eingebaut werden (außer **CS-NC15**, hier ist der Verdampfer vormontiert).

Beachten Sie dabei folgendes:

- Richtige Einbaulage (Abb. **3**, Seite 4 bis Abb. **9**, Seite 6)
- Anordnung im Kühlbehälter möglichst weit oben
- Einbau mindestens 10 mm von der Wand entfernt (**nicht VD-14N und VD-15**).

**ACHTUNG!**

Bei Kühlaggregaten ohne Ventilkupplungen (einbaufertige Einheiten): Öffnen Sie beim Einbau den Kühlkreislauf nicht. Gegebenenfalls müssen Sie die Wanddurchbrüche so groß vorsehen, dass Sie den Verdampfer durchschieben können (Abb. **11**, Seite 6). Oder Sie fertigen den Durchbruch so an, dass Sie die Kühlleitungen von oben einbauen können (Abb. **12**, Seite 6).

**Verdampfer anschließen**

- ▶ Schließen Sie die Verdampfer **VD-14N und VD-15** gemäß Abb. **10**, Seite 6 an.
- ▶ Schließen Sie den Verdampfer **VD-16** gemäß Abb. **9**, Seite 6 an.
- ▶ Schließen Sie andere Verdampfer gemäß Abb. **19**, Seite 9 an.

**Legenden zu den Abbildungen**

Nr. in Abb. <b>8</b> , Seite 5	Erläuterung
1	DC-Lüfter
2	Thermostatknopf
3	Anschlussstecker DC-Lüfter
4	Thermostatregler
5	Anschlussleitung

Nr. in Abb. <b>9</b> , Seite 6	Erläuterung
1	Anschlussleitung

Nr. in Abb. <b>10</b> , Seite 6	Erläuterung
1	Anschlussleitung

Nr. in Abb. 19, Seite 9 und Abb. 20, Seite 9	Erläuterung
1	Anschlussblock
2	Kompressor
3	Lüfter
4	Schalter Abb. 19 bzw. TEC-Steuerung Abb. 20

**ACHTUNG!**

Isolieren und dichten Sie die Wanddurchbrüche nach erfolgter Montage wieder sorgfältig gegen Eindringen von Feuchtigkeit ab.

**Bei Kühlaggregaten mit Ventilkupplungen**

- ▶ Fertigen Sie zur Durchführung der Kühlleitungen einen Ausschnitt mit einem Durchmesser von mindestens 30 mm an (Abb. 13, Seite 7). Verwenden Sie dazu einen Kreisschneider.

**ACHTUNG!**

Knicken Sie niemals die Verbindungsleitung zwischen Verdampfer und Aggregat. Biegeradius mindestens 25 mm.

**7.3 Kühlaggregat montieren**

Die richtige Platzwahl für die Aufstellung des Aggregates ist besonders wichtig. Um ein einwandfreies Funktionieren des Gerätes sicherzustellen, beachten Sie folgende Punkte:

- Stellen Sie das Kühlaggregat an einem trockenen, geschützten Platz auf. Vermeiden Sie das Aufstellen neben Wärmequellen wie Heizungen, Gasöfen, Warmwasserleitungen etc. Vermeiden Sie einen Aufstellungsort mit direkter Sonneneinstrahlung.
- Installieren Sie das Kühlaggregat auf Booten möglichst unterhalb der Wasseroberfläche.
- Das Kühlaggregat funktioniert bei einem Neigungswinkel von bis zu 30°. Installieren Sie es auf einer geraden Ebene, damit es auch bei möglichst starker Krängung noch arbeitet.
- Die erwärmte Luft muss ungehindert abziehen können (Abb. 14, Seite 7).

- Bei Einbau des Kühlaggregates in einen geschlossenen Raum wie Kleiderschrank, Pantry oder Backkiste müssen Öffnungen mit einem freien Querschnitt von je mindestens 200 cm<sup>2</sup> (25 cm x 8 cm) für Be- und Entlüftung vorgesehen werden.
- Achten Sie darauf, dass der Luftstrom am Kondensator (Abb. **14** C, Seite 7) nicht beeinträchtigt wird.
- Halten Sie einen Mindestabstand zwischen Kondensator und angrenzender Wand ein (50 mm).
- **CS-NC15:** Beachten Sie zur Montage die Abbildung der Bohrschablone (Abb. **21**, Seite 11) und die Einbauzeichnung (Abb. **22**, Seite 12).

## 7.4 Externen Temperaturregler einbauen

### Mechanischer Thermostat

Der Temperaturregler kann innerhalb oder außerhalb des Kühlbehälters angebracht werden. Die Regelung der Innentemperatur erfolgt in Abhängigkeit von der Verdampfer-Oberflächentemperatur bzw. **für VD-14N und VD-15** in Abhängigkeit von der Raumtemperatur.

- ▶ Verbinden Sie das schneckenförmig aufgewickelte Ende der Fühlerleitung mittels der Klemmplatte fest mit dem Verdampfer (Abb. **15**, Seite 8, **nicht VD-14N, VD-15**). Dieser ist bei **VD-14N, VD-15** vormontiert.
- ▶ Achten Sie darauf, dass die Fühlerleitung nicht an anderer Stelle mit dem Verdampfer oder mit der Saugleitung in Berührung kommt.

### TEC-Steuerung

Der TEC-Regler (Steuerung) muss außerhalb des Kühlbehälters angebracht werden. Die Regelung der Innentemperatur erfolgt in Abhängigkeit von der Verdampfer-Oberflächentemperatur.

Der Temperaturfühler ist werkseitig fest am Energiespeicher angebracht.

- ▶ Verbinden Sie den Temperaturfühler mit der TEC-Steuerung über die Steckkupplung.

## Einweg-Kupplungen montieren (nicht CS-NC15)



### ACHTUNG!

Der Anschluss von Einweg-Kupplungen darf nur von Personen vorgenommen werden, die auf dem Gebiet der Kältetechnik fachkundig und sachkundig sind. Die allgemeinen Vorschriften für den Umgang mit Kältemitteln sind zu beachten!

Die Einweg-Kupplungen sind nur zum einmaligen Verbinden der Kühlaggregate geeignet. Ein erneutes Öffnen oder unsachgemäßes Verbinden der Kupplungen führt zu einem vollständigen Verlust des Kältemittels und zum Ausfall des Kühlaggregats!

In solchen Fällen müssen die beiden zuvor verbundenen Teile des Kühlaggregats demontiert und eingeschickt werden. Im Werk werden die Einweg-Kupplungen erneuert und das Produkt wird wieder mit Kältemittel befüllt.

Die beiden Komponenten des Kühlaggregats – der Verdampfer und die Kompressor-Kondensator-Einheit – werden separat geliefert. Die Komponenten sind mit Einweg-Kupplungen verbunden. Die für den Betrieb des gesamten Kälteaggregats erforderliche Kältemittelmenge ist bereits in den beiden Komponenten enthalten. Ein nachträgliches Befüllen mit Kältemittel ist daher nicht erforderlich.

- ▶ Montieren Sie die Kompressor-Kondensator-Einheit und die Verdampfereinheit.
- ▶ Entfernen Sie die Schutzkappen und Stopfen von den unverbundenen Hälften der Einweg-Kupplung der Kompressor-Kondensator-Einheit und der Verdampfereinheit.
- ▶ Reinigen Sie den Kupplungssitz und die Gewindefläche sorgfältig, um das Eindringen von Schmutz oder Fremdkörpern in das System zu verhindern.



### ACHTUNG! Gefahr von Kühlmittleckagen

- Verwenden Sie beim Anziehen der Einweg-Kupplungen immer zwei Schraubenschlüssel, um ein Verdrehen der Rohre zu verhindern!
- Eine Wiederverwendung der Einweg-Kupplungen ist nicht zulässig!
- Stellen Sie fest, welcher der beiden Einweg-Kupplungsanschlüsse mit dem Schraubenschlüssel schwerer zugänglich ist und schließen Sie diesen zuerst an.
- Schließen Sie immer erst einen Einweg-Kupplungsanschluss an und dann den zweiten.

**HINWEIS**

Der O-Ring ist nur eine vorläufige Abdichtung beim erstmaligen Anschluss der Einweg-Kupplungen. Dieser O-Ring dient nur zur anfänglichen Abdichtung zwischen dem Durchstechen der Membran und der endgültigen Abdichtung mit der Metalldichtung. Eine leckagefreie Abdichtung wird nur durch eine Metallverbindung zwischen den beiden Kupplungshälften erreicht.

- ▶ Tragen Sie Kältemittelöl auf das Innen- und Außengewinde sowie auf die Innendorne auf (Abb. **16**, Seite 8).
- ▶ Verbinden Sie die beiden Kupplungshälften und schrauben Sie sie zunächst von Hand zusammen (Abb. **17**, Seite 8). Verwenden Sie keinen Schraubenschlüssel!

**Einweg-Kupplung mit Überwurfmutter:**

- ▶ Verschrauben Sie die Kupplungshälfte mit der Überwurfmutter mithilfe eines Schraubenschlüssels der Schlüsselweite 21 mm und eines Schraubenschlüssels der Schlüsselweite 19 mm bis zum Ende des Gewindes oder bis ein Widerstand spürbar ist. Ziehen Sie die Verschraubung noch nicht fest.

Der Schraubenschlüssel der Schlüsselweite 19 mm dient als Führung beim Verschrauben der Überwurfmutter.

**Anschluss der Einweg-Kupplung mit Außengewinde:**

- ▶ Verschrauben Sie die Kupplungshälfte mit der Überwurfmutter mithilfe eines Schraubenschlüssels der Schlüsselweite 21 mm und eines Schraubenschlüssels der Schlüsselweite 16 mm bis zum Ende des Gewindes oder bis ein Widerstand spürbar ist. Ziehen Sie die Verschraubung noch nicht fest.

Der Schraubenschlüssel der Schlüsselweite 16 mm dient zum Gegenhalten beim Verschrauben der Überwurfmutter.

- ▶ Ziehen Sie mit einem Bleistift eine Linie in Längsrichtung von der Überwurfmutter zur Halterung der gegenüberliegenden Kupplungshälfte.
- ▶ Ziehen Sie nun die Überwurfmutter mit einem Anzugsmoment von 30 Nm oder einer weiteren 1/4 Umdrehung fest an. Der Versatz der Linie zeigt an, wie stark die Einweg-Kupplung angezogen wurde.

Diese letzte Umdrehung ist notwendig, um einen leckagefreien Anschluss zwischen den Kupplungshälften zu gewährleisten.

**HINWEIS**

Der Abstand zwischen dem Anfang der Überwurfmutter und dem Sechskant des Außengewindes darf 3 mm nicht überschreiten (Abb. **17**, Seite 8).

- Führen Sie eine Dichtheitsprüfung an den Kupplungsanschlüssen durch. Dadurch wird sichergestellt, dass die Einweg-Kupplungen korrekt angeschlossen sind und die Dichtung richtig abdichtet.

## 7.5 Kühlaggregat anschließen

### An eine Batterie anschließen

Das Kühlaggregat kann mit 12 V oder mit 24 V Gleichspannung betrieben werden.



#### ACHTUNG!

Um Spannungs- und Leistungsverluste zu vermeiden, muss das Kabel möglichst kurz und nicht unterbrochen sein. Vermeiden Sie daher zusätzliche Schalter, Stecker oder Verteilerdosen.

- Bestimmen Sie den notwendigen Querschnitt des Kabels in Abhängigkeit von der Kabellänge gemäß Abb. **18**, Seite 8.  
Legende zu Abb. **18**, Seite 8

Koordinatenachse	Bedeutung	Einheit
l	Kabellänge	m
∅	Kabelquerschnitt	mm <sup>2</sup>



#### ACHTUNG!

Beachten Sie die richtige Polarität.

- Kontrollieren Sie vor Inbetriebnahme des Aggregates, ob die Betriebsspannung und die Batteriespannung übereinstimmen (siehe Typenschild).
- Schließen Sie Ihr Kühlaggregat
  - möglichst direkt an die Pole der Batterie an oder
  - an einen Steckplatz an, der mit mindestens 15 A (bei 12 V) bzw. 7,5 A (bei 24 V) abgesichert ist.



#### ACHTUNG!

Klemmen Sie das Kühlgerät und andere Verbraucher von der Batterie ab, bevor Sie die Batterie mit einem Schnellladegerät aufladen. Überspannungen können die Elektronik des Geräts beschädigen.

Zur Sicherheit ist das Kühlaggregat mit einem elektronischen Verpolungsschutz ausgestattet, der das Kühlaggregat vor Kurzschluss beim Batterieanschluss schützt.



## An ein 230-V-Netz anschließen



### WARNUNG!

- Hantieren Sie nie mit Steckern und Schaltern, wenn Sie nasse Hände haben oder mit den Füßen in der Nässe stehen.
- Wenn Sie Ihr Kühlgerät an Bord eines Bootes per Landanschluss am 230-V-Netz betreiben, müssen Sie auf jeden Fall einen FI-Schutzschalter zwischen 230-V-Netz und Kühlgerät schalten. Lassen Sie sich von einem Fachmann beraten.

- ▶ Um das Kühlaggregat am 230-V-Netz zu betreiben, verwenden Sie den Gleichrichter
  - CoolPower EPS100 bei Geräten mit Kompressor BD35F (Serie 50/80/CS/CS),
  - CoolPower MPS35 bei Geräten mit Kompressor BD35F (Serie 50/80/CS/CS),
  - CoolPower MPS50 bei Geräten mit Kompressor BD50F (Serie 90).



### HINWEIS

Die Ausgangsspannung der beschriebenen Gleichrichter beträgt 24 V. Bitte beachten Sie dies beim eventuellen Anschluss weiterer Verbraucher.

## 8 Kühlaggregat benutzen

### 8.1 Tipps zum Energiesparen

- Wählen Sie einen gut belüfteten und vor Sonneneinstrahlung geschützten Aufstellort.
- Lassen Sie warme Speisen erst abkühlen, bevor Sie sie in das Gerät einlagern.
- Öffnen Sie den Kühlcontainer nicht häufiger als nötig.
- Lassen Sie die Tür nicht länger offen stehen als nötig.
- Tauen Sie den Kühlcontainer ab, sobald sich eine Eisschicht gebildet hat.
- Vermeiden Sie eine unnötig tiefe Innentemperatur.
- Befreien Sie in regelmäßigen Abständen den Kondensator von Staub und Verunreinigungen.
- Reinigen Sie regelmäßig die Deckeldichtung.

## 8.2 Kühlaggregat in Betrieb nehmen

### Geräte ohne TEC-Steuerung

- ▶ Schalten Sie das Kühlaggregat mit einer Rechtsdrehung des Schaltknopfes ein (Abb. **1** A1 oder B1, Seite 3).

Wenn Sie den Knopf weiter drehen, können Sie die Temperatur regeln. Geräte mit Energiespeicherfunktion besitzen zusätzlich einen Speicherabrufknopf (Abb. **1** A2, Seite 3).



#### HINWEIS

Wenn die rote LED blinkt oder leuchtet, liegt ein Fehler vor und das System ist nicht betriebsbereit (siehe Fehlertabelle im Kapitel Kapitel „LED am Thermoelement (Abb. **1** 2, Seite 3)“ auf Seite 53).

### Geräte mit TEC-Steuerung

Geräte mit TEC-Steuerung werden über den Hauptschalter in Betrieb genommen (Abb. **2** 6, Seite 3). Mit dem Temperaturwähler können Sie dann die Temperatur regeln (Abb. **2** 5, Seite 3).

## 8.3 Kühlaggregat außer Betrieb nehmen

Wenn Sie das Kühlgerät für längere Zeit nicht benutzen wollen, gehen Sie wie folgt vor:

- ▶ **Geräte ohne TEC-Steuerung:** Drehen Sie den Regler auf Stufe „0“.
- ▶ **Geräte mit TEC-Steuerung:** Schalten Sie das Gerät mit dem Hauptschalter aus (Abb. **2** 6, Seite 3).
- ▶ Klemmen Sie die Anschlusskabel von der Batterie ab oder ziehen Sie den Stecker der Gleichstromleitung aus dem Gleichrichter.
- ▶ Reinigen Sie das Kühlgerät.
- ▶ Lassen Sie die Tür oder den Deckel leicht geöffnet.  
So verhindern Sie, dass sich Gerüche bilden.

## 9 Kältespeicher benutzen

### 9.1 Anzeige- und Bedienelemente von Geräten mit TEC-Programmsteuerung

Nr. in Abb. <b>2</b> , Seite 3	Erläuterung
1	grüne LED: zeigt an, dass der Kompressor arbeitet.
2	Gelbe LED: zeigt an, dass Fremdversorgung vorhanden ist (Klemmspannung über 13,5 V bzw. 27,0 V). Die LED blinkt, wenn die Fremdversorgungsspannung zu niedrig ist (Klemmspannung $\leq 10,7$ V oder 21,7 V. Version E: $\leq 10,7$ V oder 22,0 V).
3	Rote LED: zeigt an, dass der Kältespeicher abgerufen wird aufgrund <ul style="list-style-type: none"> <li>• manueller Betätigung der Speicherabrufaste</li> <li>• Unterspannungsabschaltung (Klemmspannung <math>\leq 10,7</math> V oder 21,4 V. Version E: <math>\leq 10,7</math> V oder 22,0 V).</li> </ul>
4	Kältespeicherabrufaste: unterbricht den Kompressorbetrieb bis <ul style="list-style-type: none"> <li>• gespeicherte Kälteenergie aufgebraucht ist</li> <li>• Fremdversorgungsspannung nach Unterspannung wieder erreicht wird.</li> </ul>
5	Temperaturwähler: ermöglicht eine stufenlos einstellbare Kühlraumtemperatur Min. (Linksanschlag) = wärmste Einstellung Max. (Rechtsanschlag) = kälteste Einstellung
6	Hauptschalter: erlaubt Ein- und Ausschalten des Kühlgerätes. Stellung 0 = AUS Stellung – = EIN

### 9.2 Kältespeicherfunktion

Die Kältespeicherfunktion sorgt dafür, dass automatisch Kälteenergie gespeichert wird (bis zu 8 Stunden), wenn ausreichend Strom verfügbar ist, z. B. bei Versorgung durch ein Netzgerät.

Der Abruf der gespeicherten Kälte geschieht

- automatisch bei Erreichen der Ausschaltspannung (siehe Tabelle auf Seite 41)

- oder manuell durch Drücken der Speicherabruf-taste (Abb. **1** A2 oder Abb. **2** 4, Seite 3).

**HINWEIS**

Der Kältespeicher kann manuell nur abgerufen werden, nachdem er zuvor vollständig geladen wurde.

Der Kältespeicher wird automatisch wieder aufgeladen,

- wenn die Wiedereinschaltspannung überschritten wird
- wenn der Kältespeicher entladen ist und Sie das Gerät einmal mittels des Schaltknopfes aus- und wieder einschalten (Abb. **2** 6, Seite 3, funktioniert nur bei VD-06).

**ACHTUNG!**

Wenn Sie den Kältespeicher abrufen, obwohl Fremdversorgung vorliegt – z. B. um Betriebsgeräusche des Kompressors zu vermeiden –, schalten Sie das Aggregat über den Hauptschalter aus (Abb. **1** B1 oder Abb. **2** 6, Seite 3).

**HINWEIS**

Beachten Sie: Niedrige Innentemperatur = hoher Stromverbrauch!

## 10 Gewährleistung

Es gilt die gesetzliche Gewährleistungsfrist. Sollte das Produkt defekt sein, wenden Sie sich bitte an die Niederlassung des Herstellers in Ihrem Land (siehe [dometic.com/dealer](http://dometic.com/dealer)) oder an Ihren Fachhändler.

Zur Reparatur- bzw. Gewährleistungsbearbeitung müssen Sie folgende Unterlagen mitschicken:

- eine Kopie der Rechnung mit Kaufdatum,
- einen Reklamationsgrund oder eine Fehlerbeschreibung.

## 11 Entsorgung

- ▶ Geben Sie das Verpackungsmaterial möglichst in den entsprechenden Recycling-Müll.



Wenn Sie das Produkt endgültig außer Betrieb nehmen, informieren Sie sich bitte beim nächsten Recyclingcenter oder bei Ihrem Fachhändler über die zutreffenden Entsorgungsvorschriften.

## 12 Störungsbeseitigung

### LED am Thermoelement (Abb. 1 2, Seite 3)

Anzahl Leuchtpulse	Fehlertyp	Beseitigung
1	Batterieschutzabschaltung	Batteriespannung, Sicherung und verwendeten Kabelquerschnitt prüfen
2	Lüfterüberstromabschaltung	Kondensator- und Verdampferlüfterstrom prüfen: gesamter Sollwert < 0,5 A
3	Verdichteranlauffehler	Kühlsystem entlasten: <ul style="list-style-type: none"> <li>• Be- und Entlüftung des Kühlaggregates gewährleisten</li> <li>• Lagerung vorgekühlter Waren</li> </ul>
4	Verdichterüberlastabschaltung	Kühlsystem entlasten: <ul style="list-style-type: none"> <li>• Be- und Entlüftung des Kühlaggregates gewährleisten</li> <li>• Lagerung vorgekühlter Waren</li> </ul>
5	Elektronikschutzabschaltung	Kühlsystem entlasten: <ul style="list-style-type: none"> <li>• Be- und Entlüftung des Kühlaggregates gewährleisten</li> </ul>

### Kompressor läuft nicht

Störung	Mögliche Ursache	Beseitigung
$U_T = 0V$	Unterbrechung in der Anschlussleitung zwischen Batterie und Elektronik	Verbindung herstellen
	Hauptschalter defekt (falls vorhanden)	Hauptschalter wechseln
	Zusätzliche Leitungsabsicherung durchgebrannt (falls vorhanden)	Sicherung ersetzen
$U_T \leq U_{ON}$	Batteriespannung zu niedrig	Batterie laden

Störung	Mögliche Ursache	Beseitigung
Startversuch mit $U_T \leq U_{OFF}$	Lose Kabelverbindung Schlechter Kontakt (Korrosion)	Verbindung herstellen
	Batteriekapazität zu gering	Batterie austauschen
	Kabelquerschnitt zu gering	Kabel wechseln (Abb. 18, Seite 8)
Startversuch mit $U_T \geq U_{ON}$	Umgebungstemperatur zu hoch	–
	Unzureichende Be- und Entlüftung und/oder Kühlung	Für bessere Be- und Entlüftung des Kühlaggregats sorgen
	Kondensator verschmutzt	Kondensator reinigen
	Lüfter defekt (falls vorhanden)	Lüfter wechseln

$U_T$  Spannung zwischen Plus- und Minusklemme der Elektronik

$U_{ON}$  Einschaltspannung der Elektronik

$U_{OFF}$  Ausschaltspannung der Elektronik

### Innentemperatur zu niedrig bei Reglerstufe 1

Störung	Mögliche Ursache	Beseitigung
Kompressor läuft dauernd	Thermostat-Fühler hat keinen Kontakt am Verdampfer	Fühler befestigen
	Thermostat defekt	Thermostat wechseln
Kompressor läuft lange	Im Gefrierfach wurde größere Menge eingefroren	–

**Kühlleistung fällt ab, Innenraumtemperatur steigt an**

Störung	Mögliche Ursache	Beseitigung
Kompressor läuft lange/dauernd	Verdampfer ist vereist	Verdampfer abtauen
	Umgebungstemperatur zu hoch	–
	Unzureichende Be- und Entlüftung und/oder Kühlung	Für bessere Be- und Entlüftung des Kühlaggregats sorgen
	Kondensator verschmutzt	Kondensator reinigen
	Lüfter defekt (falls vorhanden)	Lüfter wechseln
Kompressor läuft unregelmäßig	Batteriekapazität erschöpft	Batterie laden

**Ungewöhnliche Geräusche**

Störung	Mögliche Ursache	Beseitigung
Lautes Brummen	Ein Bauteil des Kältekreislaufes kann nicht frei schwingen (liegt an der Wand an)	Bauteil vorsichtig abbiegen
	Fremdkörper zwischen Kühlgerät und Wand eingeklemmt	Fremdkörper entfernen
	Lüftergeräusch (falls vorhanden)	Lüfterflügel reinigen

**13 Technische Daten**

	50	54	55
Max. Kühlrauminhalt:	80 Liter	130 Liter	
Anschlussspannung:	12 V $\overline{=}$ oder 24 V $\overline{=}$		
Leistungsaufnahme:	35–40 Watt, je nach Verdampfertyp		
Kühlmittelmenge:	28 g	35 g	
CO <sub>2</sub> -Äquivalent:	0,040 t	0,050 t	
Treibhauspotential (GWP):	1430		
Abmessungen (B x H x T) in mm:	315 x 140 x 170	386x155x130	220x160x220
Gewicht:	3,74 kg	6,0 kg	6,5 kg

	<b>84</b>	<b>85</b>	<b>86</b>
Max. Kühlrauminhalt:	250 Liter		
Anschlussspannung:	12 V <sup>===</sup> oder 24 V <sup>===</sup>		
Kühlmittelmenge:	45 g		
CO <sub>2</sub> -Äquivalent:	0,064 t		
Treibhauspotential (GWP):	1430		
Abmessungen (B x H x T) in mm:	386x155x130	220x155x220	220x230x177
Gewicht:	6,0 kg	6,0 kg	6,5 kg

	<b>94</b>	<b>95</b>	<b>96</b>
Max. Kühlrauminhalt:	400 Liter		
Anschlussspannung:	12 V <sup>===</sup> oder 24 V <sup>===</sup>		
Kühlmittelmenge:	60 g		
CO <sub>2</sub> -Äquivalent:	0,086 t		
Treibhauspotential (GWP):	1430		
Abmessungen (B x H x T) in mm:	386x155x130	220x155x220	220x230x177
Gewicht:	6,0 kg	6,0 kg	6,5 kg

	<b>CS-NC15</b>
Max. Kühlrauminhalt:	250 Liter
Anschlussspannung:	12 V <sup>===</sup> oder 24 V <sup>===</sup>
Kühlmittelmenge:	60 g
CO <sub>2</sub> -Äquivalent:	0,086 t
Treibhauspotential (GWP):	1430
Abmessungen (B x H x T) in mm:	360x255x275
Gewicht:	8,5 kg



	<b>VD-01</b>	<b>VD-02</b>	<b>VD-03</b>	<b>VD-04</b>
Max. Kühlrauminhalt bei 35 mm PU-Isolierung:	80 Liter	30 Liter	170 Liter	130 Liter
Max. Kühlrauminhalt bei 50 mm PU-Isolierung:	100 Liter	50 Liter	200 Liter	170 Liter
Leistungsaufnahme:	35 W	35 W	50 W	45 W
Spannung	12 V $\overline{\text{---}}$ oder 24 V $\overline{\text{---}}$			
Kühlmittelmenge:	17 g		20 g	30 g
CO <sub>2</sub> -Äquivalent:	0,024 t		0,029 t	0,043 t
Treibhauspotential (GWP):	1430			
Abmessungen (B x H x T) in mm:	300x245x110	275x215x25	380x230x82	375x255x100
Gewicht:	1,5 kg	1,0 kg	2,0 kg	1,5 kg

	<b>CU-50 + VD-01</b>	<b>CU-50 + VD-02</b>	<b>CU-50 + VD-07</b>
Max. Kühlrauminhalt bei 35 mm PU-Isolierung:	50 Liter	30 Liter	60 Liter
Max. Kühlrauminhalt bei 50 mm PU-Isolierung:	75 Liter	50 Liter	80 Liter
Leistungsaufnahme:	30 W		
Temperatur:	Umgebung: 32 °C, Innen: 5 °C		

	<b>VD-05</b>	<b>VD-07</b>	<b>VD-08</b>	<b>VD-09</b>
Max. Kühlrauminhalt bei 35 mm PU-Isolierung:	130 Liter	100 Liter	160 Liter	160 Liter
Max. Kühlrauminhalt bei 50 mm PU-Isolierung:	170 Liter	130 Liter	180 Liter	180 Liter
Leistungsaufnahme:	45 W	35 W	60 W	60 W
Spannung	12 V $\overline{\text{---}}$ oder 24 V $\overline{\text{---}}$			
Kühlmittelmenge:	30 g	45 g	15 g	65 g

	<b>VD-05</b>	<b>VD-07</b>	<b>VD-08</b>	<b>VD-09</b>
CO <sub>2</sub> -Äquivalent:	0,043 t	0,064 t	0,021 t	0,093 t
Treibhauspotential (GWP):	1430			
Abmessungen (B x H x T) in mm:	375x350x25	255x210x90	450x270x340	365x140x270
Gewicht:	1,5 kg	1,5 kg	2,0 kg	2,0 kg

	<b>VD-14N</b>	<b>VD-15</b>	<b>VD-18</b>
Max. Kühlrauminhalt bei 35 mm PU-Isolierung:	300 Liter	200 Liter	100 Liter
Max. Kühlrauminhalt bei 50 mm PU-Isolierung:	400 Liter	250 Liter	150 Liter
Leistungsaufnahme:	80 W	60 W	45 W
Spannung	12 V <sub>DC</sub> oder 24 V <sub>DC</sub>		
Kühlmittelmenge:	15 g		
CO <sub>2</sub> -Äquivalent:	0,021 t		
Treibhauspotential (GWP):	1430		
Abmessungen (B x H x T) in mm:	220x275x65	220x275x65	350x250x25
Gewicht:	2,5 kg	1,5 kg	1,5 kg

	<b>VD-16</b>	<b>VD-21</b>
Max. Kühlrauminhalt bei 60 mm PU-Isolierung:	130 Liter	250 Liter
Max. Kühlrauminhalt bei 100 mm PU-Isolierung:	200 Liter	300 Liter
Leistungsaufnahme:	60 W	60 W
Spannung	12 V <sub>DC</sub> oder 24 V <sub>DC</sub>	
Kühlmittelmenge:	40 g	10 g
CO <sub>2</sub> -Äquivalent:	0,057 t	0,014 t

	<b>VD-16</b>	<b>VD-21</b>
Treibhauspotential (GWP):	1430	
Abmessungen (B x H x T) in mm:	330x260x130	1370x305x10
Gewicht:	2,5 kg	4,0 kg
	<b>VD-16 für Serie 80</b>	<b>VD-16 für Serie 90</b>
Max. Kühlrauminhalt bei 35 mm PU-Isolierung:	120 Liter	200 Liter
Max. Kühlrauminhalt bei 50 mm PU-Isolierung:	200 Liter	250 Liter
Leistungsaufnahme:	65 W	80 W
Spannung	12 V <sup>===</sup> oder 24 V <sup>===</sup>	
Kühlmittelmenge:	40 g	
CO <sub>2</sub> -Äquivalent:	0,057 t	
Treibhauspotential (GWP):	1430	
Abmessungen (B x H x T) in mm:	380x300x62	
Gewicht:	5,0 kg	

**Prüfung/Zertifikate:**

Der Kühlkreis enthält R-134a.

Enthält fluoridierte Treibhausgase

Veillez lire et suivre attentivement l'ensemble des instructions, directives et avertissements figurant dans ce manuel afin de vous assurer que vous installez, utilisez et entretenez le produit correctement à tout moment. Ces instructions DOIVENT rester avec ce produit.

En utilisant le produit, vous confirmez par la présente que vous avez lu attentivement l'ensemble des instructions, directives et avertissements et que vous comprenez et acceptez de respecter les modalités et conditions énoncées dans le présent document. Vous acceptez d'utiliser ce produit uniquement pour l'usage et l'application prévus et conformément aux instructions, directives et avertissements figurant dans le manuel du produit, ainsi qu'à toutes les lois et réglementations applicables. Si vous ne lisez et ne respectez pas les instructions et les avertissements figurant dans ce manuel, vous risquez de vous blesser ou de blesser d'autres personnes, d'endommager votre produit ou d'endommager d'autres biens à proximité. Le présent manuel produit, y compris les instructions, directives et avertissements, ainsi que la documentation associée peuvent faire l'objet de modifications et de mises à jour. Pour obtenir des informations actualisées sur le produit, rendez-vous sur [dometic.com](http://dometic.com).

## Sommaire

1	Signification des symboles . . . . .	60
2	Consignes de sécurité . . . . .	61
3	Contenu de la livraison . . . . .	63
4	Accessoires . . . . .	63
5	Usage conforme . . . . .	63
6	Description technique . . . . .	64
7	Installation du groupe frigorifique . . . . .	66
8	Utilisation du groupe frigorifique . . . . .	73
9	Utilisation de l'accumulateur de liquide réfrigérant . . . . .	75
10	Garantie . . . . .	76
11	Mise au rebut . . . . .	77
12	Guide de dépannage . . . . .	77
13	Caractéristiques techniques . . . . .	79

## 1 Signification des symboles



### **DANGER !**

**Consigne de sécurité** signalant une situation dangereuse qui entraîne la mort ou de graves blessures si elle n'est pas évitée.



### **AVERTISSEMENT !**

**Consigne de sécurité** signalant une situation dangereuse qui peut entraîner la mort ou de graves blessures si elle n'est pas évitée.

**ATTENTION !**

**Consigne de sécurité** signalant une situation dangereuse qui peut entraîner des blessures de gravité moyenne ou légère si elle n'est pas évitée.

**AVIS !**

Remarque signalant une situation qui peut entraîner des dommages matériels si elle n'est pas évitée.

**REMARQUE**

Informations complémentaires sur l'utilisation du produit.

## 2 Consignes de sécurité

### 2.1 Sécurité générale

**DANGER !**

- **Risque de blessures mortelles !**

**En cas d'utilisation sur des bateaux :** si l'appareil est raccordé au secteur, veillez à ce que votre alimentation électrique soit équipée d'un disjoncteur différentiel.

**AVERTISSEMENT !**

- Seul un technicien qualifié est habilité à installer ou réparer cet appareil. Des réparations inadéquates peuvent engendrer des risques considérables.  
Si des réparations sont nécessaires, adressez-vous au service après-vente.
- Si l'appareil présente des dégâts visibles, ne le mettez pas en service.
- N'ouvrez jamais le circuit frigorifique. La seule exception à cela est si l'appareil doit être débranché pour être renvoyé (chapitre « Installation du régulateur de température externe », page 69).
- Installez l'appareil dans un endroit sec et à l'abri des éclaboussures d'eau.
- Ne placez pas l'appareil à proximité de flammes nues ou d'autres sources de chaleur (chauffage, rayonnement solaire direct, fours à gaz, etc.).
- Assurez-vous que le compresseur est suffisamment ventilé.

- **Les appareils électroniques ne sont pas des jouets pour enfants !**

Placez et utilisez l'appareil hors de leur portée.

- Les personnes (y compris les enfants) qui ne sont pas en mesure d'utiliser l'appareil en toute sécurité — que ce soit en raison de déficiences physiques, sensorielles ou mentales ou bien par manque d'expérience ou de connaissances — ne sont pas autorisées à le faire, sauf si une personne garante de leur sécurité les surveille ou leur fournit des explications sur son utilisation.
- Avant la première mise en service de l'appareil, vérifiez que la tension de fonctionnement et la tension de la batterie sont identiques (voir plaque signalétique).
- Si le câble de raccordement est endommagé, vous devez le remplacer afin d'éviter tout danger. Remplacez toujours un câble de raccordement endommagé par un câble de raccordement de même type et spécifications électriques.
- Ne stockez aucune substance explosive, telle que des aérosols contenant des agents propulseurs dans l'appareil.

## 2.2 Consignes de sécurité concernant le fonctionnement de l'appareil



### **DANGER ! Risque de blessures mortelles !**

- Ne touchez jamais les lignes électriques dénudées avec les mains nues. Cette consigne s'applique particulièrement en cas de raccordement de l'appareil au secteur CA.



### **AVIS !**

- N'utilisez jamais de produits de nettoyage contenant du sable, des acides ou des solvants pour nettoyer l'évaporateur.
- Tenez l'appareil à l'abri de la pluie et de l'humidité.
- Débranchez l'appareil de réfrigération et les autres dispositifs électriques de la batterie avant de brancher le chargeur rapide.



### **REMARQUE**

- Débranchez l'appareil si vous prévoyez de ne pas l'utiliser pendant une période prolongée.

## 2.3 Précautions appropriées lors de la manipulation des piles



### ATTENTION ! Risque de blessures !

- Les batteries peuvent contenir des acides agressifs et corrosifs. Évitez tout contact avec le liquide que contient la batterie. Si votre peau entre en contact avec le liquide de la batterie, lavez soigneusement la partie du corps en question avec de l'eau.
- Lorsque vous raccordez l'appareil à une batterie, assurez-vous que les aliments n'entrent pas en contact avec l'acide de la batterie.

## 3 Contenu de la livraison

Quantité	Description
1	Groupe frigorifique ou évaporateur
1	Manuel d'utilisation

## 4 Accessoires

Si vous souhaitez alimenter le groupe frigorifique via une prise secteur 230 V CA, veuillez utiliser l'un des redresseurs suivants.

Disponibles en accessoire (non compris dans les pièces fournies) :

Description	Numéro d'article
Redresseur CoolPower EPS100 Pour appareils avec compresseur BD 35F (séries 50/80/CS/CS)	9600000440
Redresseur CoolPower MPS35 Pour appareils avec compresseur BD 35F (séries 50/80/CS/CS)	9600000445
Redresseur CoolPower MPS50 Pour appareils avec compresseur BD 50F (séries 90)	9600000441

## 5 Usage conforme

Le groupe frigorifique est conçu pour monter un réfrigérateur ou une glacière personnalisée.

Le groupe frigorifique est conçu pour la réfrigération et la congélation d'aliments. L'appareil peut également être utilisé sur des bateaux.

Ce produit convient uniquement à l'usage et à l'application prévus, conformément au présent manuel d'instructions.

Ce manuel fournit les informations nécessaires à l'installation et/ou à l'utilisation correcte du produit. Une installation, une utilisation ou un entretien inappropriés entraînera des performances insatisfaisantes et une éventuelle défaillance.

Le fabricant décline toute responsabilité en cas de blessure ou de dommage résultant :

- d'un montage ou d'un raccordement incorrect, y compris d'une surtension
- d'un entretien inadapté ou de l'utilisation de pièces de rechange autres que les pièces de rechange d'origine fournies par le fabricant
- des modifications apportées au produit sans autorisation explicite du fabricant ;
- des usages différents de ceux décrits dans le manuel.

Dometic se réserve le droit de modifier l'apparence et les spécifications produit.

## 6 Description technique

Les groupes frigorifiques sont adaptés à une alimentation 12 V ou 24 V CC ; ils conviennent donc au camping comme à la navigation de plaisance. Par ailleurs, vous pouvez les raccorder à une prise secteur 230 V par le biais des redresseurs (voir chapitre « Accessoires », page 63).

En cas d'utilisation sur bateaux, le groupe frigorifique peut supporter un angle de gîte permanent de 30°.

Le groupe frigorifique doit être utilisé avec un évaporateur. En outre, vous pouvez utiliser un accumulateur avec ou sans contrôleur TEC. Le **CS-NC15** est composé d'un groupe de refroidissement et d'un évaporateur.

Utilisez le thermostat variable de l'évaporateur pour sélectionner la température désirée.

L'accumulateur et le contrôleur TEC assurent une capacité de refroidissement élevée et améliorent l'efficacité du groupe. L'accumulateur est chargé lorsque l'alimentation électrique est suffisante (par exemple, lorsqu'il est raccordé à une prise secteur). En cas d'utilisation de l'accumulateur ou de sous-tension, le liquide de refroidissement est puisé dans l'accumulateur jusqu'à ce qu'il soit vide. Ainsi, aucune alimentation ne provient de la batterie pendant cette période.



Le contrôleur TEC garantit toujours que

- L'énergie frigorifique est stockée en cas d'excédent d'énergie électrique (alimentation externe par un générateur).
- L'accumulateur de liquide de refroidissement peut être utilisé à tout moment pour garantir que la totalité de l'énergie de la batterie est disponible pour d'autres dispositifs électriques.
- L'énergie frigorifique stockée est automatiquement récupérée pour préserver la température de refroidissement interne, une fois la capacité de la batterie épuisée.



### REMARQUE

Pour plus d'informations sur l'accumulateur de liquide réfrigérant, reportez-vous à la section chapitre « Utilisation de l'accumulateur de liquide réfrigérant », page 75.

## 6.1 Protecteur de batterie

Le dispositif de réfrigération est équipé d'une protection électronique contre les inversions de polarité en cas de raccordement à une batterie. Pour protéger la batterie, le dispositif de réfrigération s'éteint automatiquement lorsque la tension n'est plus suffisante (voir tableau ci-dessous).

### Appareils sans contrôleur TEC

Tension de raccordement	Tension d'arrêt	Tension de remise en marche
12 V	10,4 V	11,7 V
24 V	22,8 V	24,2 V

### Appareils avec contrôleur TEC

Tension de raccordement	Tension d'arrêt	Tension de remise en marche
12 V	10,7 V	13,0 V
24 V	22,0 V	26,0 V

## 7 Installation du groupe frigorifique



### AVERTISSEMENT !

Seul un technicien qualifié est habilité à installer le produit.

### 7.1 Outils nécessaires

Pour l'**installation et le montage**, vous devez disposer des outils suivants :

- Perceuse
- Tournevis
- Clé plate : 16 mm, 19 mm et 21 mm
- Mastic et mousse de montage
- Câbles, cosses de câble et colliers de câbles
- Huile Ester

### 7.2 Remarques concernant le conteneur frigorifique

#### Volume du compartiment de réfrigération autorisé

Veillez à ne pas dépasser le volume maximal indiqué pour le compartiment de réfrigération selon le type d'évaporateur (voir chapitre « Caractéristiques techniques », page 79).

#### Isolation minimale

Le volume maximal du compartiment de réfrigération repose sur une isolation d'au moins 35 mm composée de mousse de polyuréthane pour un poids volumique de 40 kg/m<sup>3</sup>. Si vous utilisez d'autres matériaux isolants, comme du polystyrène, il convient de doubler les épaisseurs de paroi afin d'obtenir les mêmes propriétés isothermiques.

#### Montage de l'évaporateur

L'évaporateur doit être installé dans le conteneur de refroidissement (sauf **CS-NC15**, l'évaporateur est prémonté).

Tenez compte des remarques suivantes:

- Position d'installation correcte (fig. **3**, page 4 jusqu'à fig. **9**, page 6)
- Installation aussi loin que possible vers le haut dans le conteneur de refroidissement.

- Observez un dégagement d'au moins 10 mm par rapport à la paroi (**sauf VD-14N et VD-15**).



### AVIS !

Pour les groupes frigorifiques sans raccord de vanne (unités prêtes à installer) : N'ouvrez pas le circuit frigorifique pendant l'installation. Il se peut que vous deviez agrandir les ouvertures murales pour pouvoir y glisser l'évaporateur (fig. **11**, page 6). Vous pouvez également créer une ouverture dans la partie supérieure afin d'installer les conduites de refroidissement (fig. **12**, page 6).

### Raccordement de l'évaporateur

- ▶ Raccordez les évaporateurs **VD-14N et VD-15** conformément à la fig. **10**, page 6.
- ▶ Raccordez l'évaporateur **VD-16** conformément à la fig. **9**, page 6.
- ▶ Raccordez les autres évaporateurs conformément à la fig. **19**, page 9.

### Légendes des illustrations

N° sur la fig. <b>8</b> , page 5	Explication
1	Ventilateur CC
2	Bouton du thermostat
3	Prise de raccordement du ventilateur CC
4	Thermostat
5	Câble de raccordement

N° sur la fig. <b>9</b> , page 6	Explication
1	Câble de raccordement

N° sur la fig. <b>10</b> , page 6	Explication
1	Câble de raccordement

No. dans fig. 19, page 9 et fig. 20, page 9	Explication
1	Bloc de connexion
2	Compresseur
3	Ventilateur
4	Interrupteur fig. 19 ou contrôleur TEC fig. 20

**AVIS !**

Une fois le montage terminé, veillez à isoler et sceller les perçages dans la paroi afin d'éviter toute infiltration d'humidité.

**Pour les groupes frigorifiques avec raccords de vanne**

- ▶ Percez un trou d'un diamètre minimum de 30 mm (fig. 13, page 7) pour les conduites de refroidissement. Pour ce faire, utilisez une fraise circulaire.

**AVIS !**

Ne pliez jamais la conduite de raccordement entre l'évaporateur et le groupe. Le rayon de courbure minimum est de 25 mm.

**7.3 Installation du groupe frigorifique**

Le choix de l'emplacement du groupe revêt un caractère particulièrement important. Afin de garantir un fonctionnement sans faille de l'appareil, veillez à respecter les points suivants :

- Installez le groupe frigorifique dans un endroit sec et protégé. Évitez de placer le groupe frigorifique près de sources de chaleur telles que radiateurs, fours à gaz ou conduites d'eau chaude. Ne laissez pas le groupe frigorifique en plein soleil.
- Si vous installez le groupe frigorifique sur un bateau, veuillez le placer au-dessous du niveau de l'eau.
- Le groupe de froid fonctionne à un angle d'inclinaison allant jusqu'à 30°. Installez-le sur une surface plane, de sorte qu'il fonctionne toujours, même dans la plus forte inclinaison possible.
- L'air chauffé doit pouvoir se dissiper librement (fig. 14, page 7).
- Lors du montage du groupe frigorifique dans un local fermé, par ex. une armoire à vêtements, un garde-manger ou un compartiment arrière, il convient de prévoir des orifices dont le diamètre disponible est au moins égal à 200 cm<sup>2</sup> (25 cm x 8 cm) pour assurer la ventilation et l'aération.

- Veillez à ce que le flux d'air du condenseur (fig. **14** C, page 7) ne soit pas obstrué.
- Maintenez un écart entre le condensateur et la paroi adjacente de 50 mm.
- **CS-NC15** : Respectez le modèle de perçage (fig. **21**, page 11) et le plan d'installation (fig. **22**, page 12).

## 7.4 Installation du régulateur de température externe

### Thermostat mécanique

Le régulateur de température peut être monté à l'extérieur ou à l'intérieur du conteneur frigorifique. La température intérieure est régulée en fonction de la température de surface de l'évaporateur, ou **pour les modèles VD-14N et VD-15**, en fonction de la température ambiante.

- ▶ Raccordez l'extrémité en spirale du câble du capteur à l'évaporateur (fig. **15**, page 8, **sauf sur les modèles VD-14N, VD-15**) à l'aide de la plaque de serrage. Celle-ci est prémontée sur les modèles **VD-14N, VD-15**.
- ▶ Veillez à ce que le câble du capteur n'entre en contact avec aucune autre partie de l'évaporateur ou avec la conduite d'aspiration.

### Contrôleur TEC

Le contrôleur TEC doit être fixé à l'extérieur du conteneur de refroidissement. La température interne est régulée en fonction de la température de surface de l'évaporateur.

Le capteur de température a été monté en usine sur l'accumulateur.

- ▶ Connectez le capteur de température au contrôleur TEC via le couplage enfichable.

**Installez les couplages unidirectionnels (sauf sur le modèle CS-NC15).****AVIS !**

Seul un technicien qualifié en technologie frigorifique est habilité à installer les couplages unidirectionnels. Les consignes générales concernant la manipulation des liquides réfrigérants doivent être respectées ! Les couplages unidirectionnels ne peuvent être utilisés qu'une seule fois pour connecter les groupes frigorifiques. La réouverture ou le raccordement incorrect des couplages entraînera une perte totale de liquide réfrigérant et la défaillance du groupe frigorifique !

Dans ce cas, les deux parties du groupe frigorifique précédemment raccordées doivent être démontées et renvoyées en usine, où les couplages unidirectionnels et le liquide réfrigérant du produit seront remplacés.

Les deux composants du groupe frigorifique - l'évaporateur et l'unité compresseur-condenseur - sont fournis séparément. Les composants sont reliés par des couplages unidirectionnels. La quantité de liquide réfrigérant nécessaire au fonctionnement de l'ensemble du groupe frigorifique est déjà contenue dans les deux composants. Il n'est donc pas nécessaire de procéder à un remplissage ultérieur de réfrigérant.

- ▶ Assemblez le compresseur-condenseur et l'évaporateur.
- ▶ Retirez les capuchons de protection et les bouchons des extrémités non connectées du couplage unidirectionnel du groupe compresseur-condenseur et de l'évaporateur.
- ▶ Nettoyez soigneusement le siège du raccord et la surface fileté afin d'éviter que des saletés ou des corps étrangers ne pénètrent dans le système.

**AVIS ! Risque de fuite de liquide réfrigérant**

- Utilisez toujours deux clés pour serrer les couplages unidirectionnels afin d'éviter de tordre les conduites.
- Ne réutilisez jamais les couplages unidirectionnels.
- Déterminez laquelle des deux connexions de l'embrayage unidirectionnel est la plus difficile d'accès avec la clé et raccordez-la en premier.
- Raccordez toujours une connexion du couplage unidirectionnel, puis la seconde.

**REMARQUE**

Le joint torique est un composant intermédiaire utilisé lors de la connexion initiale des couplages unidirectionnels. Ce joint torique est uniquement utilisé pour l'étanchéité initiale entre le perçage du diaphragme et le raccordement métallique final. Seul un raccordement métallique entre les deux parties du couplage permet de garantir une connexion étanche.

- Appliquez de l'huile réfrigérante sur les filetages internes et externes et sur les mandrins internes (fig. **16**, page 8).
- Raccordez les deux moitiés du couplage et vissez-les d'abord à la main (fig. **17**, page 8). N'utilisez pas de clé à molette.

**Couplage unidirectionnel avec écrou-raccord :**

- Vissez la partie du couplage avec l'écrou-raccord à l'aide d'une clé de 21 mm et d'une clé de 19 mm jusqu'à la fin du filetage ou jusqu'à ce qu'une résistance significative se fasse sentir. Ne serrez pas encore le raccord à vis.

La clé de 19 mm sert de guide lors du vissage de l'écrou-raccord.

**Raccordement du couplage unidirectionnel avec filetage extérieur :**

- Vissez la partie du couplage avec l'écrou-raccord à l'aide d'une clé de 21 mm et d'une clé de 16 mm jusqu'à la fin du filetage ou jusqu'à ce qu'une résistance significative se fasse sentir. Ne serrez pas encore le raccord à vis.

La clé de 16 mm sert de retenue lors du vissage de l'écrou-raccord.

- À l'aide d'un crayon, tracez une ligne dans le sens de la longueur entre l'écrou-raccord et le support de la partie opposée du couplage.
- Serrez ensuite fermement l'écrou-raccord avec un couple de 30 Nm ou faites 1/4 de tour supplémentaire. Le décalage de la ligne indique la force avec laquelle le couplage unidirectionnel a été serré.

Ce dernier tour est nécessaire pour assurer une connexion étanche entre les deux moitiés du couplage.

**REMARQUE**

La distance entre le début de l'écrou-raccord et l'hexagone du filetage extérieur ne doit pas dépasser 3 mm (fig. **17**, page 8).

- Effectuez un test d'étanchéité sur les raccords de couplage. Cela permet de s'assurer que les couplages unidirectionnels sont correctement connectés et que le joint est fonctionnel.

## 7.5 Raccordement du groupe frigorifique

### Raccordement à une batterie

Le groupe frigorifique peut fonctionner sur une alimentation 12 V ou 24 V CC.



#### AVIS !

Pour éviter des pertes de tension et de puissance frigorifique, le câble doit être le plus court possible et ne doit pas être interrompu. Évitez pour cette raison de placer des interrupteurs, des connecteurs ou des répartiteurs supplémentaires.

- Déterminez la section nécessaire du câble en fonction de sa longueur, selon fig. **18**, page 8.

Légende de fig. **18**, page 8

Axe des coordonnées	Signification	Unité
l	Longueur de câble	m
∅	Diamètre de câble	mm <sup>2</sup>



#### AVIS !

Respectez la polarité.

- Avant de mettre l'appareil en service, vérifiez que la tension de service et la tension de la batterie sont identiques (voir plaque signalétique).
- Raccordement du groupe frigorifique
  - aussi directement que possible aux pôles de la batterie ou
  - à une prise femelle protégée par un fusible d'au moins 15 A (pour une tension de 12 V) ou 7,5 A (pour une tension de 24 V).



#### AVIS !

Débranchez le groupe frigorifique et les autres dispositifs électriques de la batterie du véhicule avant de la raccorder à un chargeur rapide. Les surtensions peuvent endommager les composants électroniques de l'appareil.

Pour des raisons de sécurité, le groupe frigorifique est équipé d'un système électronique pour empêcher l'inversion de polarité. Cela protège le groupe frigorifique contre un court-circuit lors de la connexion à une batterie.



## Raccordement à une alimentation électrique de 230 V



### AVERTISSEMENT !

- Ne vous approchez pas de fiches ou de commutateurs lorsque vous avez les mains mouillées ou les pieds dans l'eau.
- Si vous raccordez le groupe frigorifique à bord d'un bateau à une alimentation secteur 230 V à quai, vous devez dans tous les cas brancher un disjoncteur différentiel entre l'alimentation secteur 230 V et le groupe frigorifique.  
Veuillez vous renseigner auprès d'un spécialiste.

- ▶ Si vous souhaitez utiliser le groupe frigorifique avec une alimentation 230 V CA, utilisez le redresseur
  - CoolPower EPS100 pour appareils avec compresseur BD 35F (séries 50/80/CS/CS)
  - CoolPower MPS35 pour appareils avec compresseur BD 35F (séries 50/80/CS/CS)
  - CoolPower MPS50 pour appareils avec compresseur BD 50F (série 90)



### REMARQUE

La tension de sortie des redresseurs de courant décrits est de 24 V. Veuillez en tenir compte en cas de raccordement éventuel d'autres consommateurs.

## 8 Utilisation du groupe frigorifique

### 8.1 Comment économiser de l'énergie ?

- Choisissez un emplacement bien aéré et à l'abri du rayonnement solaire direct.
- Laissez refroidir les aliments chauds avant de les mettre dans l'appareil.
- N'ouvrez pas le conteneur réfrigérant plus souvent que nécessaire.
- Ne laissez pas la porte ouverte plus longtemps que nécessaire.
- Dégivrez le conteneur réfrigérant dès qu'une couche de glace s'est formée.
- Évitez les basses températures inutiles.
- Nettoyez régulièrement le condenseur pour enlever la poussière et les salissures.
- Nettoyez régulièrement le joint du couvercle.

## 8.2 Mise en service du groupe frigorifique

### Appareils sans contrôleur TEC

- Mettez en marche le groupe frigorifique en tournant le bouton de commande dans le sens horaire (fig. **1** A1 ou B1, page 3).

Si vous continuez de tourner le bouton, vous pouvez régler la température. Les appareils avec fonction de stockage d'énergie disposent d'un bouton d'activation du stockage (fig. **1** A2, page 3).



#### REMARQUE

Si la LED rouge clignote ou s'allume, un défaut s'est produit et le système ne peut pas être utilisé (voir le tableau des erreurs au chapitre chapitre « LED sur l'élément thermique (fig. **1** 2, page 3) », page 77).

### Appareils avec contrôleur TEC

Les appareils avec contrôleur TEC sont mis en marche en actionnant l'interrupteur principal (fig. **2** 6, page 3). Vous pouvez ensuite régler la température (fig. **2** 5, page 3) à l'aide du sélecteur de température.

## 8.3 Mise hors service du groupe frigorifique

Si vous prévoyez de ne pas utiliser l'appareil pendant une période prolongée, procédez de la façon suivante :

- **Appareils sans contrôleur TEC** : Placez le régulateur sur le niveau « 0 ».
- **Appareils avec contrôleur TEC** : Mettez le commutateur principal en position Arrêt (fig. **2** 6, page 3).
- Débranchez le câble d'alimentation de la batterie ou débranchez du redresseur la prise de la ligne de courant continu.
- Nettoyez l'appareil de réfrigération.
- Laissez la porte légèrement ouverte au-dessus du couvercle. Vous évitez ainsi la formation d'odeurs.

## 9 Utilisation de l'accumulateur de liquide réfrigérant

### 9.1 Éléments d'affichage et de commande des appareils avec contrôleur TEC

N° sur la fig. 2, page 3	Explication
1	LED verte : Indique que le compresseur fonctionne.
2	LED jaune : indique que l'alimentation externe est présente (la tension est supérieure à 13,5 V ou 27,0 V). La LED clignote si l'alimentation externe est trop faible (tension $\leq 10,7$ V ou 21,7 V. Version E : $\leq 10,7$ V, 22,0 V).
3	LED rouge : indique que l'accumulateur est en train de se décharger car <ul style="list-style-type: none"> <li>• le bouton de décharge a été actionné</li> <li>• Arrêt en cas de baisse de tension (tension <math>\leq 10,7</math> V ou 21,4 V. Version E : <math>\leq 10,7</math> V, 22,0 V).</li> </ul>
4	Bouton de décharge de l'accumulateur : interrompt le fonctionnement du compresseur jusqu'à ce que <ul style="list-style-type: none"> <li>• l'énergie frigorifique accumulée soit épuisée</li> <li>• Le niveau de tension de l'alimentation externe est rétabli après la baisse de tension.</li> </ul>
5	Sélecteur de température : permet de régler la température de la zone de refroidissement selon les besoins. Min. (limite gauche) = réglage le plus chaud Max. (limite droite) = réglage le plus froid
6	Interrupteur principal : permet d'allumer et d'éteindre le dispositif de refroidissement. Position 0 = ARRÊT Position – = MARCHÉ

## 9.2 Fonction Accumulateur

La fonction Accumulateur permet de stocker automatiquement l'énergie frigorifique (pendant jusqu'à 8 heures) lorsque l'alimentation électrique est suffisante, par exemple lorsqu'elle est raccordée à une prise secteur.

L'énergie frigorifique stockée est déchargée

- automatiquement lorsque la tension de coupure est atteinte (voir le tableau page 65)
- ou manuellement en appuyant sur le bouton de décharge (fig. **1** A2 ou fig. **2** 4, page 3).



### REMARQUE

L'accumulateur frigorifique ne peut être déchargé manuellement que s'il a été entièrement chargé au préalable.

L'accumulateur est automatiquement chargé si,

- la tension de redémarrage est dépassée
- ou si l'accumulateur est vide et que vous éteignez et rallumez l'appareil à l'aide du bouton de commande (fig. **2** 6, page 3, fonctionne uniquement sur le modèle VD-06).



### AVIS !

Lorsque vous déchargez l'accumulateur, même si une alimentation externe est présente ; par exemple pour éviter le bruit de fonctionnement du compresseur, utilisez l'interrupteur principal pour éteindre l'appareil (fig. **1** B1 ou fig. **2** 6, page 3).



### REMARQUE

N'oubliez pas : Température interne basse = consommation d'énergie élevée

## 10 Garantie

Le délai légal de garantie s'applique. Si le produit s'avérait défectueux, veuillez vous adresser à la filiale du fabricant située dans votre pays (voir [dometic.com/dealer](http://dometic.com/dealer)) ou à votre revendeur spécialisé.

Veuillez y joindre les documents suivants pour la gestion des réparations et de la garantie :

- une copie de la facture avec la date d'achat,

- le motif de la réclamation ou une description du dysfonctionnement.

## 11 Mise au rebut

- Jetez les emballages dans les conteneurs de déchets recyclables prévus à cet effet.



Lorsque vous mettez votre produit définitivement hors service, informez-vous auprès du centre de recyclage le plus proche ou auprès de votre revendeur spécialisé sur les prescriptions relatives au retraitement des déchets.

## 12 Guide de dépannage

### LED sur l'élément thermique (fig. 1 2, page 3)

Nombre d'impulsions lumineuses	Type d'erreur	Solution
1	Déclenchement du dispositif de protection de la batterie	Vérifier la tension de la batterie, le fusible et la section du câble.
2	Arrêt du ventilateur en cas de surtension	Vérifier le courant du condenseur et du ventilateur de l'évaporateur : valeur cible totale < 0,5 A
3	Défaut de démarrage du compresseur	Réduire la charge du système de refroidissement : <ul style="list-style-type: none"> <li>• Vérifier que la ventilation est suffisante autour du groupe frigorifique</li> <li>• Stocker les produits pré-réfrigérés</li> </ul>
4	Arrêt du compresseur en cas de surcharge	Réduire la charge du système de refroidissement : <ul style="list-style-type: none"> <li>• Vérifier que la ventilation est suffisante autour du groupe frigorifique</li> <li>• Stocker les produits pré-réfrigérés</li> </ul>
5	Arrêt du fusible électronique	Réduire la charge du système de refroidissement : <ul style="list-style-type: none"> <li>• Vérifier que la ventilation est suffisante autour du groupe frigorifique</li> </ul>

## Le compresseur ne fonctionne pas

Panne	Cause possible	Solution
$U_T = 0V$	La connexion entre la batterie et l'électronique est interrompue.	Établir la connexion
	Commutateur principal défectueux (s'il fait partie des composants)	Changer l'interrupteur principal
	Le fusible supplémentaire de la ligne est grillé (s'il fait partie des composants)	Changement du fusible
$U_T \leq U_{Marche}$	Tension de batterie trop faible	Charger la batterie
Tentative de démarrage avec $U_T \leq U_{Marche}$	Les câbles sont débranchés Mauvais contact (corrosion)	Établir la connexion
	Capacité de batterie trop faible	Remplacer la batterie
	Section du câble trop petite	Changer le câble (fig. 18, page 8)
Tentative de démarrage avec $U_T \geq U_{Arrêt}$	Température ambiante trop élevée	–
	Ventilation et/ou réfrigération insuffisante	Placer le groupe frigorifique à un endroit mieux ventilé et mieux aéré.
	Le condenseur est sale	Nettoyer le condenseur
	Ventilateur défectueux (s'il fait partie des composants)	Changer le ventilateur

$U_T$  Tension entre la borne positive et la borne négative de l'électronique

$U_{Marche}$  Tension de démarrage de l'électronique

$U_{Arrêt}$  Tension d'arrêt de l'électronique

## Température intérieure trop basse sur le niveau « 1 » du régulateur

Panne	Cause possible	Solution
Le compresseur fonctionne en permanence	Aucun contact n'est établi entre la sonde du thermostat et l'évaporateur	Fixer la sonde
	Thermostat défectueux	Changer le thermostat
Longue durée de fonctionnement du compresseur	Grandes quantités de givre dans le compartiment congélateur	–

## Diminution de la puissance frigorifique, augmentation de la température intérieure

Panne	Cause possible	Solution
Longue durée de fonctionnement / fonctionnement continu du compresseur	L'évaporateur est givré	Dégivrer l'évaporateur
	Température ambiante trop élevée	–
	Ventilation et/ou réfrigération insuffisante	Placer le groupe frigorifique à un endroit mieux ventilé
	Le condenseur est sale	Nettoyer le condenseur
	Ventilateur défectueux (s'il fait partie des composants)	Changer le ventilateur
Le compresseur fonctionne rarement	Batterie à plat	Charger la batterie

## Bruits inhabituels

Panne	Cause possible	Solution
Fort ronflement	Les mouvements d'un élément du circuit frigorifique sont bloqués (l'élément est coincé contre la paroi)	Redresser l'élément avec précaution pour l'éloigner de la paroi
	Corps étranger coincé entre l'unité de réfrigération et une paroi	Retirer le corps étranger
	Bruit du ventilateur (s'il fait partie des composants)	Nettoyer les pales du ventilateur

# 13 Caractéristiques techniques

	50	54	55
Volume max. du compartiment de réfrigération :	80 litres	130 litres	
Tension de raccordement :	12 V <sub>DC</sub> ou 24 V <sub>DC</sub>		
Consommation électrique :	35 - 40 W, en fonction du type d'évaporateur		
Quantité de fluide frigorigène :	28 g	35 g	

	<b>50</b>	<b>54</b>	<b>55</b>
Équivalent CO <sub>2</sub> :	0,040 t	0,050 t	
Potentiel d'effet de serre (GWP) :	1430		
Dimensions (L x H x P) en mm :	315 x 140 x 170	386 x 155 x 130	220x160x220
Poids :	3,74 kg	6,0 kg	6,5 kg

	<b>84</b>	<b>85</b>	<b>86</b>
Volume max. du compartiment de réfrigération :	250 litres		
Tension de raccordement :	12 V <sub>===</sub> ou 24 V <sub>===</sub>		
Quantité de fluide frigorigène :	45 g		
Équivalent CO <sub>2</sub> :	0,064 t		
Potentiel d'effet de serre (GWP) :	1430		
Dimensions (L x H x P) en mm :	386 x 155 x 130	220x155x220	220x230x177
Poids :	6,0 kg	6,0 kg	6,5 kg

	<b>94</b>	<b>95</b>	<b>96</b>
Volume max. du compartiment de réfrigération :	400 litres		
Tension de raccordement :	12 V <sub>===</sub> ou 24 V <sub>===</sub>		
Quantité de fluide frigorigène :	60 g		
Équivalent CO <sub>2</sub> :	0,086 t		
Potentiel d'effet de serre (GWP) :	1430		
Dimensions (L x H x P) en mm :	386 x 155 x 130	220x155x220	220x230x177
Poids :	6,0 kg	6,0 kg	6,5 kg



	<b>CS-NC15</b>
Volume max. du compartiment de réfrigération :	250 litres
Tension de raccordement :	12 V <sup>===</sup> ou 24 V <sup>===</sup>
Quantité de fluide frigorigène :	60 g
Équivalent CO2 :	0,086 t
Potentiel d'effet de serre (GWP) :	1430
Dimensions (L x H x P) en mm :	360 x 255 x 275
Poids :	8,5 kg

	<b>VD-01</b>	<b>VD-02</b>	<b>VD-03</b>	<b>VD-04</b>
Volume max. du compartiment de réfrigération avec isolation polyuréthane de 35 mm :	80 litres	30 litres	170 litres	130 litres
Volume max. du compartiment de réfrigération avec isolation polyuréthane de 50 mm :	100 litres	50 litres	200 litres	170 litres
Consommation électrique :	35 W	35 W	50 W	45 W
Tension	12 V <sup>===</sup> ou 24 V <sup>===</sup>			
Quantité de fluide frigorigène :	17 g		20 g	30 g
Équivalent CO2 :	0,024 t		0,029 t	0,043 t
Potentiel d'effet de serre (GWP) :	1430			
Dimensions (L x H x P) en mm :	300 x 245 x 110	275x215x25	380x230x82	375x255x100
Poids :	1,5 kg	1,0 kg	2,0 kg	1,5 kg

	<b>CU-50 + VD-01</b>	<b>CU-50 + VD-02</b>	<b>CU-50 + VD-07</b>
Volume max. du compartiment de réfrigération avec isolation polyuréthane de 35 mm :	50 litres	30 litres	60 litres
Volume max. du compartiment de réfrigération avec isolation polyuréthane de 50 mm :	75 litres	50 litres	80 litres
Consommation électrique :	30 W		
Température :	ambiante : 32 °C, interne : 5 °C.		

	<b>VD-05</b>	<b>VD-07</b>	<b>VD-08</b>	<b>VD-09</b>
Volume max. du compartiment de réfrigération avec isolation polyuréthane de 35 mm :	130 litres	100 litres	160 litres	160 litres
Volume max. du compartiment de réfrigération avec isolation polyuréthane de 50 mm :	170 litres	130 litres	180 litres	180 litres
Consommation électrique :	45 W	35 W	60 W	60 W
Tension	12 V $\overline{=}$ ou 24 V $\overline{=}$			
Quantité de fluide frigorigène :	30 g	45 g	15 g	65 g
Équivalent CO2 :	0,043 t	0,064 t	0,021 t	0,093 t
Potentiel d'effet de serre (GWP) :	1430			
Dimensions (L x H x P) en mm :	375 x 350 x 25	255x210x90	450x270x340	365x140x270
Poids :	1,5 kg	1,5 kg	2,0 kg	2,0 kg

	<b>VD-14N</b>	<b>VD-15</b>	<b>VD-18</b>
Volume max. du compartiment de réfrigération avec isolation polyuréthane de 35 mm :	300 litres	200 litres	100 litres
Volume max. du compartiment de réfrigération avec isolation polyuréthane de 50 mm :	400 litres	250 litres	150 litres
Consommation électrique :	80 W	60 W	45 W
Tension	12 V <sub>===</sub> ou 24 V <sub>===</sub>		
Quantité de fluide frigorigène :	15 g		
Équivalent CO2 :	0,021 t		
Potentiel d'effet de serre (GWP) :	1430		
Dimensions (L x H x P) en mm :	220 x 275 x 65	220 x 275 x 65	350 X 250 x 25
Poids :	2,5 kg	1,5 kg	1,5 kg

	<b>VD-16</b>	<b>VD-21</b>
Volume max. du compartiment de réfrigération avec isolation polyuréthane de 60 mm :	130 litres	250 litres
Volume max. du compartiment de réfrigération avec isolation polyuréthane de 100 mm :	200 litres	300 litres
Consommation électrique :	60 W	60 W
Tension	12 V <sub>===</sub> ou 24 V <sub>===</sub>	
Quantité de fluide frigorigène :	40 g	10 g
Équivalent CO2 :	0,057 t	0,014 t

	<b>VD-16</b>	<b>VD-21</b>
Potentiel d'effet de serre (GWP) :	1430	
Dimensions (L x H x P) en mm :	330 x 260 x 130	1370x305x10
Poids :	2,5 kg	4,0 kg
	<b>VD-16 pour la série 80</b>	<b>VD-16 pour la série 90</b>
Volume max. du compartiment de réfrigération avec isolation polyuréthane de 35 mm :	120 litres	200 litres
Volume max. du compartiment de réfrigération avec isolation polyuréthane de 50 mm :	200 litres	250 litres
Consommation électrique :	65 W	80 W
Tension	12 V <sup>===</sup> ou 24 V <sup>===</sup>	
Quantité de fluide frigorigène :	40 g	
Équivalent CO <sub>2</sub> :	0,057 t	
Potentiel d'effet de serre (GWP) :	1430	
Dimensions (L x H x P) en mm :	380 x 300 x 62	
Poids :	5,0 kg	

**Contrôle/certificats :**

Le circuit frigorifique contient du R-134a.

Contient des gaz à effet de serre fluorés

Lea atentamente estas instrucciones y siga las indicaciones, directrices y advertencias incluidas en este manual para asegurarse de que instala, utiliza y mantiene correctamente el producto en todo momento. Estas instrucciones DEBEN permanecer con este producto.

Al utilizar el producto, usted confirma que ha leído cuidadosamente todas las instrucciones, directrices y advertencias, y que entiende y acepta cumplir los términos y condiciones aquí establecidos. Usted se compromete a utilizar este producto solo para el propósito y la aplicación previstos y de acuerdo con las instrucciones, directrices y advertencias establecidas en este manual del producto, así como de acuerdo con todas las leyes y reglamentos aplicables. La no lectura y observación de las instrucciones y advertencias aquí expuestas puede causarle lesiones a usted o a terceros, daños en el producto o daños en otras propiedades cercanas. Este manual del producto, incluyendo las instrucciones, directrices y advertencias, y la documentación relacionada, pueden estar sujetos a cambios y actualizaciones. Para obtener información actualizada sobre el producto, visite la página [dometic.com](http://dometic.com).

## Índice

1	Explicación de los símbolos . . . . .	85
2	Indicaciones de seguridad . . . . .	86
3	Volumen de entrega . . . . .	88
4	Accesorios. . . . .	88
5	Uso adecuado . . . . .	88
6	Descripción técnica . . . . .	89
7	Instalación de la unidad de refrigeración . . . . .	91
8	Uso de la unidad de refrigeración . . . . .	98
9	Uso del acumulador de refrigerante . . . . .	100
10	Garantía legal . . . . .	101
11	Gestión de residuos . . . . .	102
12	Resolución de problemas. . . . .	102
13	Datos técnicos. . . . .	104

## 1 Explicación de los símbolos



### ¡PELIGRO!

**Aviso de seguridad** sobre una situación de peligro que, si no se evita, es causa de muerte o heridas graves.



### ¡ADVERTENCIA!

**Aviso de seguridad** sobre una situación de peligro que, si no se evita, puede causar la muerte o heridas graves.

**¡ATENCIÓN!**

**Aviso de seguridad** sobre una situación de peligro que, si no se evita, puede causar heridas leves o de consideración.

**¡AVISO!**

Aviso sobre una situación que, si no se evita, puede causar daños materiales.

**NOTA**

Información complementaria para el manejo del producto.

## 2 Indicaciones de seguridad

### 2.1 Seguridad general

**¡PELIGRO!**

- **¡Peligro de lesiones mortales!**

**Cuando se utilice el aparato en embarcaciones:** si el aparato está alimentado por red eléctrica, asegúrese de que el suministro de corriente disponga de interruptor diferencial.

**¡ADVERTENCIA!**

- Este aparato solo puede ser instalado y reparado por personal técnico cualificado. Las reparaciones inadecuadas pueden conllevar peligros considerables.  
Diríjase al servicio de atención al cliente en caso de que sea necesario reparar el aparato.
- No ponga el aparato en funcionamiento si presenta desperfectos visibles.
- No abra nunca el circuito de refrigerante. Hágalo solamente si el aparato se tiene que desconectar para un envío de devolución (capítulo “Instalación del regulador de temperatura externo” en la página 94).
- Instale el aparato en un lugar seco y protegido contra posibles salpicaduras de agua.
- No coloque el aparato cerca de una llama o una fuente de calor (calefacción, luz solar directa, estufas de gas, etc.).
- Asegúrese de que el compresor está suficientemente ventilado.

- **Los aparatos eléctricos no son juguetes.**  
Por este motivo, mantenga y utilice el aparato fuera del alcance de los niños.
- Las personas (incluidos los niños) que, debido a discapacidades físicas, sensoriales o mentales, o que por falta de experiencia no puedan manejar este producto de forma segura, no deberían utilizarlo sin la vigilancia o las instrucciones de una persona responsable.
- Antes de poner en funcionamiento el aparato por primera vez, compruebe que la tensión de funcionamiento y la tensión de la batería coincidan (véase la placa de características).
- Sustituya el cable de conexión cuando esté dañado para evitar cualquier peligro. Si el cable de conexión está dañado, sustitúyalo por otro del mismo tipo y características.
- No guarde en el aparato sustancias explosivas, tales como latas de spray con aerosoles propelentes.

## 2.2 Uso seguro del aparato



### ¡PELIGRO! ¡Peligro de lesiones mortales!

- No toque los cables sin aislamiento directamente con las manos. Tenga especialmente esto en cuenta si el aparato funciona conectado a una red de corriente alterna.



### ¡AVISO!

- Cuando limpie el evaporador no utilice productos que contengan arena, ácidos o disolventes.
- Proteja el aparato de la lluvia y la humedad.
- Antes de conectar el cargador rápido, desconecte de la batería la nevera y otros aparatos consumidores.



### NOTA

- Desconecte el aparato si no va a utilizarlo durante un período prolongado.

## 2.3 Precauciones de seguridad durante la manipulación de las baterías



### ¡ATENCIÓN! ¡Peligro de lesión!

- Las baterías pueden contener ácidos agresivos y cáusticos. Evite que el líquido de la batería entre en contacto con su cuerpo. Si el líquido de la batería entra en contacto con la piel, lave cuidadosamente con agua la parte del cuerpo afectada.
- Si conecta el aparato a una batería, asegúrese de que los alimentos no entren en contacto con el ácido de la batería.

## 3 Volumen de entrega

Cantidad	Descripción
1	Unidad de refrigeración o evaporador
1	Instrucciones de uso

## 4 Accesorios

Si desea utilizar la unidad de refrigeración conectada a una red de corriente alterna de 230 voltios, utilice uno de los siguientes rectificadores.

Disponible como accesorio (no incluido en el volumen de entrega):

Descripción	Número de artículo
Rectificador CoolPower EPS100 Para aparatos con compresor BD35F (50/80/CS/serie CS)	9600000440
Rectificador CoolPower MPS35 Para aparatos con compresor BD35F (50/80/CS/serie CS)	9600000445
Rectificador CoolPower MPS50 Para aparatos con compresor BD50F (serie 90)	9600000441

## 5 Uso adecuado

La unidad de refrigeración está diseñada para construir un frigorífico o nevera propios.



La unidad de refrigeración es adecuada para enfriar y congelar alimentos. Asimismo, también es idóneo para su utilización en embarcaciones.

Este producto solo es apto para el uso previsto y la aplicación de acuerdo con estas instrucciones.

Este manual proporciona la información necesaria para la correcta instalación y/o funcionamiento del producto. Una instalación deficiente y/o un uso y mantenimiento inadecuados conllevan un rendimiento insatisfactorio y posibles fallos.

El fabricante no se hace responsable de ninguna lesión o daño en el producto ocasionados por:

- Un montaje o conexión incorrectos, incluido un exceso de tensión
- Un mantenimiento incorrecto o el uso de piezas de repuesto distintas de las originales proporcionadas por el fabricante
- Modificaciones realizadas en el producto sin el expreso consentimiento del fabricante
- Uso con una finalidad distinta de la descrita en las instrucciones

Dometic se reserva el derecho de cambiar la apariencia y las especificaciones del producto.

## 6 Descripción técnica

Las unidades de refrigeración pueden funcionar con tensión continua de 12 o 24 voltios y, por lo tanto, son adecuadas para el uso en campings o embarcaciones. También se pueden conectar a una red de 230 voltios mediante rectificadores (véase el capítulo "Accesorios" en la página 88).

En embarcaciones, la unidad de refrigeración puede resistir escoras constantes de hasta 30°.

La unidad de refrigeración debe utilizarse junto con un evaporador. Además, se puede utilizar un acumulador con o sin control TEC. El modelo **CS-NC15** se compone de una unidad de refrigeración y un evaporador.

Utilice el termostato de variación continua del evaporador para ajustar la temperatura deseada.

El acumulador y el control de programa TEC garantizan una alta capacidad de refrigeración y mejoran la eficiencia de la unidad. El acumulador se carga cuando hay un suministro suficiente de energía (por ejemplo, cuando se alimenta con un adaptador de red). En caso de uso del acumulador o de baja tensión, se extrae el refrigerante del acumulador hasta que se vacía. Por consiguiente, durante este tiempo no se toma energía del acumulador.

El control del programa TEC garantiza en todo momento que:

- Se almacene energía fría si hay un exceso de energía eléctrica (suministro externo de energía mediante un generador).
- El acumulador de refrigerante se pueda utilizar en cualquier momento para asegurar que la toda la energía de la batería se utilice para otros consumidores.
- La energía fría almacenada se recupere automáticamente para mantener la temperatura interior de la zona de refrigeración una vez agotada la capacidad de la batería.



#### NOTA

Encontrará más información sobre el acumulador de refrigerante en capítulo "Uso del acumulador de refrigerante" en la página 100.

## 6.1 Controlador de la batería

El aparato refrigerador dispone de un dispositivo electrónico que evita la polaridad errónea al conectarlo a una batería. Para proteger la batería, el aparato se apaga automáticamente cuando la tensión es insuficiente (véase la tabla siguiente).

### Aparatos sin control TEC

Tensión de conexión	Tensión de desconexión	Tensión de reconexión
12 V	10,4 V	11,7 V
24 V	22,8 V	24,2 V

### Aparatos con control TEC

Tensión de conexión	Tensión de desconexión	Tensión de reconexión
12 V	10,7 V	13,0 V
24 V	22,0 V	26,0 V

# 7 Instalación de la unidad de refrigeración



## ¡ADVERTENCIA!

La instalación solo debe ser realizada por personal cualificado.

## 7.1 Herramientas necesarias

Para realizar la **instalación y montaje** son necesarias las siguientes herramientas:

- Taladradora
- Destornillador
- Llaves de boca fija: 16 mm, 19 mm y 21 mm
- Sellador y espuma de poliuretano
- Cable, terminales de cable y abrazaderas de cable
- Aceite de éster

## 7.2 Indicaciones sobre el recipiente de refrigeración

### Volumen de refrigeración permitido

Asegúrese de que el volumen máximo de refrigeración no se supere según el tipo de evaporador (véase el capítulo “Datos técnicos” en la página 104).

### Aislamiento mínimo

El volumen máximo de refrigeración se basa en un grosor de aislamiento mínimo de 35 mm de espuma de poliuretano, con una densidad de 40 kg/m<sup>3</sup>. Si se utiliza otro material aislante, como el poliestireno expandido, duplique el grosor de la pared para obtener el mismo nivel de aislamiento del calor.

### Instalación del evaporador

El evaporador debe instalarse en el contenedor de refrigeración (excepto el modelo **CS-NC15**, donde el evaporador viene montado).

Al hacerlo, preste atención a lo siguiente:

- Posición de instalación correcta (fig. **3**, página 4 a fig. **9**, página 6)
- Ubicación en el punto más alto posible dentro del contenedor de refrigeración
- Instalación a una distancia de la pared de al menos 10 mm (**excepto los modelos VD-14N y VD-15**).



**¡AVISO!**

Para unidades de refrigeración sin acoplamientos de válvulas (unidades listas para instalar): No abra el circuito de refrigerante durante la instalación. Es posible que tenga que agrandar las aberturas existentes en la pared para poder introducir el evaporador (fig. 11, página 6). O bien, realizar una abertura que le permita instalar los conductos de refrigeración en la parte superior (fig. 12, página 6).

**Conexión del evaporador**

- ▶ Conecte los evaporadores **VD-14N y VD-15** tal como se indica en la fig. 10, página 6.
- ▶ Conecte el evaporador **VD-16** tal como se indica en la fig. 9, página 6.
- ▶ Conecte el resto de evaporadores tal como se indica en la fig. 19, página 9.

**Leyenda de las ilustraciones**

N.º en fig. 8, página 5	Explicación
1	Ventilador de corriente continua
2	Botón del termostato
3	Clavija de conexión del ventilador de corriente continua
4	Termostato
5	Cable de conexión

N.º en fig. 9, página 6	Explicación
1	Cable de conexión

N.º en fig. 10, página 6	Explicación
1	Cable de conexión

**N.º en  
fig. 19, página 9 y  
fig. 20, página 9**

**Explicación**

1	Bloque de conexión
2	Compresor
3	Ventilador
4	Conmutador fig. 19 o controlador TEC fig. 20



**¡AVISO!**

Después de la instalación, aísle cuidadosamente las aberturas de la pared para evitar la entrada de humedad.

**Para unidades de refrigeración con acoplamiento de válvulas**

- Realice un orificio de un diámetro mínimo de 30 mm (fig. 13, página 7) para los conductos de refrigeración. Para ello, utilice un cortador circular.



**¡AVISO!**

No doble nunca el conducto de conexión entre el evaporador y la unidad. El radio de curvatura mínimo es de 25 mm.

## 7.3 Instalación de la unidad de refrigeración

Es importante elegir una ubicación adecuada para instalar la unidad. Para evitar problemas, tenga siempre en cuenta las siguientes observaciones:

- Instale la unidad de refrigeración en un lugar seco y protegido. Evite situarlo cerca de fuentes de calor, como radiadores, hornos o estufas de gas, o tuberías de agua caliente. No lo exponga a la luz solar directa.
- En una embarcación, instale la unidad de refrigeración a ser posible por debajo de la línea de flotación.
- La unidad de refrigeración puede funcionar con inclinaciones de hasta de hasta 30°. Instale la unidad sobre una base plana para que pueda seguir funcionando incluso con la mayor inclinación posible.
- El aire caliente debe disiparse sin obstáculos (fig. 14, página 7).
- Si se instala la unidad de refrigeración en un espacio cerrado, como un armario, bodega o compartimento de popa, las aberturas deberán tener una sección transversal de, como mínimo, 200 cm<sup>2</sup> (25 cm x 8 cm) para el aire de refrigeración y escape.

- Asegúrese de que no haya obstáculos para el flujo de aire en el condensador (fig. **14** C, página 7).
- Entre el condensador y la pared adyacente debe haber una distancia mínima de 50 mm.
- **CS-NC15:** Respete las medidas de la plantilla de perforación (fig. **21**, página 11) y el plano de instalación (fig. **22**, página 12).

## 7.4 Instalación del regulador de temperatura externo

### Termostato mecánico

El regulador de temperatura puede instalarse dentro o fuera del contenedor de refrigeración. La temperatura interior se regula en función de la temperatura de la superficie del evaporador o, **en el caso de los modelos VD-14N y VD-15**, en función de la temperatura ambiente.

- ▶ Conecte el extremo enrollado del cable del sensor al evaporador (fig. **15**, página 8, **excepto en VVD-14N y VD-15**) utilizando la placa de fijación. Este elemento viene montado en los modelos **VD-14N y VD-15**.
- ▶ Asegúrese de que el cable del sensor no haga contacto en ningún otro punto con el evaporador o con el conducto de aspiración.

### Control TEC

El control TEC debe montarse fuera del contenedor de refrigeración. La temperatura interna se regula en función de la temperatura de la superficie del evaporador.

El sensor de temperatura viene montado de fábrica junto al acumulador.

- ▶ Conecte el sensor de temperatura al control TEC mediante el acoplamiento de clavija.

## Montaje de los acoplamientos unidireccionales (excepto CS-NC15)



### ¡AVISO!

Los acoplamientos unidireccionales solo pueden ser conectados por personas expertas y conocedoras de la técnica de refrigeración. ¡Respete en todo momento las normas generales de manipulación de refrigerantes!

Los acoplamientos unidireccionales solo son adecuados para conectar las unidades de refrigeración una sola vez. Si los acoplamientos están mal conectados o se vuelven a abrir, se provocará la pérdida total del refrigerante y el fallo de la unidad de refrigeración.

En estos casos, los dos elementos de la unidad de refrigeración previamente conectados deben ser desmontados y enviados a la fábrica, donde se sustituirán los acoplamientos unidireccionales y se rellenará el aparato con refrigerante.

Los dos componentes de la unidad de refrigeración –el evaporador y el compresor-condensador– se suministran por separado. Los componentes se conectan con acoplamientos unidireccionales. La cantidad de refrigerante necesaria para el funcionamiento de toda la unidad de refrigeración ya está contenida en ambos componentes. Por lo tanto, no es necesario añadir refrigerante con posterioridad.

- ▶ Ensamble el compresor-condensador y el evaporador.
- ▶ Retire las tapas y los tapones protectores de las mitades no conectadas del acoplamiento unidireccional del compresor-condensador y del evaporador.
- ▶ Limpie cuidadosamente el asiento del acoplamiento y la superficie roscada para evitar la entrada de suciedad o materiales extraños en el sistema.



### ¡AVISO! Riesgo de pérdida de refrigerante

- Al apretar los acoplamientos unidireccionales, utilice siempre dos llaves para evitar que los tubos se retuerzan.
- No está permitido reutilizar los acoplamientos unidireccionales.
- Determine cuál de los dos acoplamientos de agarre unidireccional tiene un acceso más difícil con la llave y conéctela en primer lugar.
- Conecte siempre solo uno de los acoplamientos de agarre unidireccional y, después, el segundo.

**NOTA**

La junta tórica solamente es un sellado provisional durante la conexión inicial de los acoplamientos unidireccionales. Esta junta tórica solo se utiliza para el sellado inicial entre la perforación de la membrana y el sellado metálico final. Solo mediante la conexión metálica entre las dos mitades del acoplamiento se consigue un sellado estanco.

- ▶ Aplique aceite refrigerante en las roscas interiores y exteriores y en los mandriles interiores (fig. **16**, página 8).
- ▶ Conecte las dos mitades del acoplamiento y atorníllelas primero a mano (fig. **17**, página 8). ¡No utilice llave inglesa!

**Acoplamiento unidireccional con racor:**

- ▶ Atornille la mitad del acoplamiento al racor con una llave de 21 mm y una llave de 19 mm hasta el límite de la rosca o hasta que se note una resistencia. No apriete todavía la unión roscada.

La llave de 19 mm sirve de guía al atornillar el racor.

**Conexión del acoplamiento unidireccional con rosca exterior:**

- ▶ Atornille la mitad del acoplamiento al racor con una llave de 21 mm y una llave de 16 mm hasta el límite de la rosca o hasta que se note una resistencia. No apriete todavía la unión roscada.

La llave de 16 mm se utiliza para hacer contrapresión al atornillar el racor.

- ▶ Dibuje con un lápiz una línea longitudinal desde el racor hasta el soporte de la mitad opuesta del acoplamiento.
- ▶ Después, apriete el racor con un par de 30 Nm o un cuarto de vuelta más. El desplazamiento de la línea indica la fuerza con la que se ha apretado el acoplamiento unidireccional.

Esta última vuelta es necesaria para asegurar una conexión estanca entre las mitades del acoplamiento.

**NOTA**

La distancia entre el inicio del racor y el hexágono de la rosca exterior no debe superar los 3 mm (fig. **17**, página 8).

- ▶ Realice una prueba de estanqueidad en las conexiones del acoplamiento. Con ello se asegura que los acoplamientos unidireccionales estén correctamente conectados y que el sellado sea funcional.



## 7.5 Conexión de la unidad de refrigeración

### Conexión a una batería

La unidad de refrigeración puede funcionar con una tensión continua de 12 o 24 voltios.



#### ¡AVISO!

Para evitar una pérdida de tensión y, con ello, un descenso del rendimiento, el cable debería ser lo más corto posible y sin interrupciones. Por ello, evite instalar interruptores, enchufes o cajas de distribución adicionales.

- Determine la sección del cable necesaria dependiendo de su longitud según fig. **18**, página 8.

Leyenda para fig. **18**, página 8

Eje de coordenadas	Significado	Unidad
I	Longitud de cable	m
∅	Sección de cable	mm <sup>2</sup>



#### ¡AVISO!

Asegúrese de que la polaridad sea la correcta.

- Antes de poner en funcionamiento la unidad por primera vez, compruebe que la tensión de servicio y la tensión de la batería coincidan (véase la placa de características).
- Conecte la unidad de refrigeración
  - por la vía más directa posible al polo de la batería, o bien
  - a un enchufe con fusible de, como mínimo, 15 A (para 12 V) o 7,5 A (para 24 V).



#### ¡AVISO!

Antes de conectar la batería a un cargador rápido, desconecte de ella la unidad de refrigeración y otros aparatos consumidores de energía. La sobretensión puede dañar el sistema electrónico del aparato.

Por razones de seguridad, la unidad de refrigeración está dotada de un sistema electrónico para prevenir la inversión de polaridad. Con ello se protege la unidad de refrigeración al conectarla a una batería.

## Conexión a una red de 230 voltios



### ¡ADVERTENCIA!

- No manipule los enchufes ni interruptores con las manos mojadas ni con los pies sobre una superficie mojada.
- Si va a utilizar el aparato de refrigeración en una embarcación con una conexión de red de 230 voltios procedente de tierra firme, deberá instalar un interruptor diferencial de corriente residual entre la red de 230 voltios y el aparato de refrigeración. Consulte con un especialista.

- ▶ Para hacer funcionar la unidad de refrigeración desde una red de 230 voltios, utilice uno de los siguientes rectificadores:
  - CoolPower EPS100 para aparatos con compresor BD 35F (50/80/CS/serie CS)
  - CoolPower MPS35 para aparatos con compresor BD 35F (50/80/CS/serie CS)
  - CoolPower MPS50 para aparatos con compresor BD 50F (serie 90)



### NOTA

La tensión de salida del rectificador descrito es de 24 voltios. Recuerde este dato cuando conecte otros consumidores posteriormente.

## 8 Uso de la unidad de refrigeración

### 8.1 Consejos para el ahorro de energía

- Elija un lugar de instalación bien ventilado y protegido de la luz solar directa.
- Deje enfriar los alimentos cocinados antes de meterlos en el aparato.
- No abra el recipiente de refrigeración con mayor frecuencia de la necesaria.
- No deje la puerta abierta más tiempo del necesario.
- Descongele el recipiente de refrigeración cuando se haya formado una capa de escarcha.
- Evite temperaturas innecesariamente bajas.
- Limpie con frecuencia el condensador de impurezas y polvo.
- Limpie el sellado de la tapa con regularidad.

## 8.2 Puesta en marcha de la unidad de refrigeración

### Aparatos sin control TEC

- ▶ Encienda la unidad de refrigeración girando el botón de control en sentido horario (fig. **1** A1 o B1, página 3).

Si sigue girando el botón de control, puede regular la temperatura. Los aparatos con función de almacenamiento de energía disponen de un botón de activación del almacenamiento (fig. **1** A2, página 3).



#### NOTA

Si el LED rojo parpadea o se ilumina, significa que se ha producido un fallo y el sistema no puede funcionar (véase la tabla de errores en el capítulo capítulo “LED del elemento térmico (fig. **1** 2, página 3)” en la página 102).

### Aparatos con control TEC

Los aparatos con control TEC se ponen en funcionamiento accionando el interruptor principal (fig. **2** 6, página 3). Después se puede regular la temperatura (fig. **2** 5, página 3) con el selector de temperatura.

## 8.3 Apagado de la unidad de refrigeración

Si no va a usar el aparato de refrigeración durante un período prolongado, proceda como se indica a continuación:

- ▶ **Aparatos sin control TEC:** Gire el botón de control a 0.
- ▶ **Aparatos con control TEC:** Apague el aparato mediante el interruptor principal (fig. **2** 6, página 3).
- ▶ Desconecte el cable de conexión de la batería o extraiga el enchufe de corriente continua del rectificador.
- ▶ Vacíe el aparato refrigerador.
- ▶ Deje la puerta o la tapa entreabiertas.  
De esta forma, evitará la formación de olores.

## 9 Uso del acumulador de refrigerante

### 9.1 Elementos de indicación y control de los aparatos con control de programa TEC

N.º en fig. 2, página 3	Explicación
1	LED verde: indica que el compresor está funcionando.
2	LED amarillo: indica que la fuente de alimentación externa está presente (la tensión es superior a 13,5 o 27,0 voltios). El LED parpadea si la fuente alimentación externa es demasiado baja (tensión $\leq 10,7$ o 21,7 voltios; versión E: $\leq 10,7$ o 22,0 voltios).
3	LED rojo: indica que el acumulador se está descargando porque <ul style="list-style-type: none"> <li>• se ha pulsado el botón de descarga</li> <li>• se ha producido una desconexión por baja tensión (tensión <math>\leq 10,7</math> o 21,4 voltios; versión E: <math>\leq 10,7</math> o 22,0 voltios).</li> </ul>
4	Botón de descarga del acumulador: interrumpe el funcionamiento del compresor hasta que <ul style="list-style-type: none"> <li>• se agote la energía de frío almacenada</li> <li>• el nivel de tensión de alimentación externa se restablezca después de la bajada tensión</li> </ul>
5	Selector de temperatura: permite ajustar la temperatura de la zona de refrigeración según las necesidades Mín. (tope izquierdo) = ajuste más caliente Máx. (tope derecho) = ajuste más frío
6	Interruptor principal: para encender y apagar el aparato de refrigeración. Posición 0 = apagado Posición – = encendido

## 9.2 Función de acumulador

La función de acumulador garantiza que la energía fría se almacene automáticamente (hasta 8 horas) si se dispone de suficiente energía eléctrica, por ejemplo, cuando se alimenta con un adaptador de red.

La potencia de refrigeración almacenada se descarga

- automáticamente cuando se alcanza la tensión de desconexión (véase la tabla en página 90)
- o manualmente pulsando el botón de descarga (fig. **1** A2 o fig. **2** 4, página 3).



### NOTA

El acumulador de frío solo puede descargarse manualmente si antes se ha cargado completamente.

El acumulador se carga automáticamente si

- se supera la tensión de reinicio
- o el acumulador está vacío y usted apaga y vuelve a encender el aparato con el botón de control (fig. **2** 6, página 3; solo funciona en el VD-06).



### ¡AVISO!

Cuando descargue el acumulador, aunque haya una fuente de alimentación externa –por ejemplo, para evitar el ruido del funcionamiento del compresor– utilice el interruptor principal para desconectar la unidad (fig. **1** B1 o fig. **2** 6, página 3).



### NOTA

Tenga en cuenta lo siguiente: ¡temperatura interior baja = consumo de corriente alto!

## 10 Garantía legal

Rige el plazo de garantía legal. Si el producto presenta algún defecto, diríjase a la sucursal del fabricante de su país (véase [dometic.com/dealer](http://dometic.com/dealer)) o a su establecimiento especializado.

Para la tramitación de la reparación y de la garantía debe enviar también los siguientes documentos:

- una copia de la factura con fecha de compra,
- el motivo de la reclamación o una descripción de la avería.

## 11 Gestión de residuos

► Deseche el material de embalaje en el contenedor de reciclaje correspondiente.



Cuando vaya a desechar definitivamente el producto, infórmese en el centro de reciclaje más cercano o en un comercio especializado sobre las normas pertinentes de eliminación de materiales.

## 12 Resolución de problemas

**LED del elemento térmico (fig. 1 2, página 3)**

Número de pulsos luminosos	Tipo de error	Solución
1	Desconexión de la protección de la batería	Compruebe la tensión de la batería, el fusible y la sección del cable
2	Desconexión por sobretensión del ventilador	Compruebe la corriente del ventilador del condensador y el evaporador: valor objetivo total < 0,5 A
3	Fallo de arranque del compresor	Reduzca la carga en el sistema de refrigeración: <ul style="list-style-type: none"> <li>• Asegure una buena ventilación alrededor de la unidad de refrigeración</li> <li>• Introduzca productos ya refrigerados</li> </ul>
4	Desconexión por sobrecarga del compresor	Reduzca la carga en el sistema de refrigeración: <ul style="list-style-type: none"> <li>• Asegure una buena ventilación alrededor de la unidad de refrigeración</li> <li>• Introduzca productos ya refrigerados</li> </ul>
5	Desconexión por fusible electrónico	Reduzca la carga en el sistema de refrigeración: <ul style="list-style-type: none"> <li>• Asegure una buena ventilación alrededor de la unidad de refrigeración</li> </ul>

## El compresor no funciona

Fallo	Posible causa	Solución
$U_T = 0V$	No hay conexión entre la batería y la electrónica.	Establezca la conexión
	Interruptor principal averiado (si existe)	Cambie el interruptor principal
	Se ha quemado el fusible adicional del cable (si existe)	Sustituya el fusible
$U_T \leq U_{ON}$	Tensión de la batería demasiado baja	Cargue la batería
Intento de encendido con $U_T \leq U_{OFF}$	Cables sueltos	Establezca la conexión
	Contacto defectuoso (corrosión)	
	Capacidad de la batería insuficiente	Cambie la batería
Intento de encendido con $U_T \geq U_{ON}$	Sección del cable insuficiente	Cambie el cable (fig. 18, página 8)
	La temperatura ambiente es demasiado alta.	–
	Ventilación y/o refrigeración insuficiente	Mejore la ventilación de la unidad de refrigeración
	Suciedad en el condensador	Limpie el condensador
	Ventilador averiado (si está instalado)	Sustituya el ventilador

$U_T$  Tensión entre el borne positivo y el negativo

$U_{ON}$  Tensión de encendido de la electrónica

$U_{OFF}$  Tensión de apagado de la electrónica

## Temperatura interior demasiado baja en el ajuste de control 1

Fallo	Posible causa	Solución
El compresor está en marcha constantemente	El sensor del termostato no hace contacto con el evaporador	Fije el sensor.
	Termostato defectuoso	Cambie el termostato.
El compresor permanece en funcionamiento demasiado tiempo	En el compartimento del congelador se ha congelado una gran cantidad de alimentos	–

**La potencia de refrigeración disminuye y la temperatura interior aumenta**

Fallo	Posible causa	Solución
El compresor permanece en funcionamiento demasiado tiempo/continuamente	El evaporador está cubierto de hielo	Descongele el evaporador
	La temperatura ambiente es demasiado alta.	–
	Ventilación y/o refrigeración insuficiente	Mejore la ventilación de la unidad de refrigeración
	Suciedad en el condensador	Limpie el condensador
	Ventilador averiado (si está instalado)	Sustituya el ventilador
El compresor se pone en marcha con poca frecuencia	Batería agotada	Cargue la batería

**Ruidos inusuales**

Fallo	Posible causa	Solución
Fuerte zumbido	Un componente del circuito de refrigeración no puede vibrar libremente (está en contacto con la pared)	Doble el componente con cuidado para separarlo de la superficie obstructora
	Un cuerpo extraño se ha metido entre el aparato refrigerador y la pared	Retire el cuerpo extraño
	Ruidos del ventilador (si está instalado)	Limpie las aspas del ventilador

**13 Datos técnicos**

	50	54	55
Volumen de refrigeración máx.:	80 litros	130 litros	
Tensión de conexión:	12 V $\overline{=}$ o 24 V $\overline{=}$		
Consumo de energía:	35–40 W, dependiendo del tipo de evaporador		
Cantidad de refrigerante:	28 g	35 g	
Equivalente de CO2:	0,040 t	0,050 t	



	<b>50</b>	<b>54</b>	<b>55</b>
Índice GWP (Global warming potential):	1430		
Dimensiones (A x H x P) en mm:	315 x 140 x 170	386x155x130	220x160x220
Peso:	3,74 kg	6,0 kg	6,5 kg

	<b>84</b>	<b>85</b>	<b>86</b>
Volumen de refrigeración máx.:	250 litros		
Tensión de conexión:	12 V $\overline{=}$ o 24 V $\overline{=}$		
Cantidad de refrigerante:	45 g		
Equivalente de CO2:	0,064 t		
Índice GWP (Global warming potential):	1430		
Dimensiones (A x H x P) en mm:	386x155x130	220x155x220	220x230x177
Peso:	6,0 kg	6,0 kg	6,5 kg

	<b>94</b>	<b>95</b>	<b>96</b>
Volumen de refrigeración máx.:	400 litros		
Tensión de conexión:	12 V $\overline{=}$ o 24 V $\overline{=}$		
Cantidad de refrigerante:	60 g		
Equivalente de CO2:	0,086 t		
Índice GWP (Global warming potential):	1430		
Dimensiones (A x H x P) en mm:	386x155x130	220x155x220	220x230x177
Peso:	6,0 kg	6,0 kg	6,5 kg

	<b>CS-NC15</b>
Volumen de refrigeración máx.:	250 litros
Tensión de conexión:	12 V $\overline{=}$ o 24 V $\overline{=}$

	<b>CS-NC15</b>
Cantidad de refrigerante:	60 g
Equivalente de CO2:	0,086 t
Índice GWP (Global warming potential):	1430
Dimensiones (A x H x P) en mm:	360x255x275
Peso:	8,5 kg

	<b>VD-01</b>	<b>VD-02</b>	<b>VD-03</b>	<b>VD-04</b>
Volumen de refrigeración máx. con 35 mm de aislamiento de PU:	80 litros	30 litros	170 litros	130 litros
Volumen de refrigeración máx. con 50 mm de aislamiento de PU:	100 litros	50 litros	200 litros	170 litros
Consumo de energía:	35 W	35 W	50 W	45 W
Tensión	12 V $\overline{=}$ o 24 V $\overline{=}$			
Cantidad de refrigerante:	17 g		20 g	30 g
Equivalente de CO2:	0,024 t		0,029 t	0,043 t
Índice GWP (Global warming potential):	1430			
Medidas (A x H x P) en mm:	300x245x110	275x215x25	380x230x82	375x255x100
Peso:	1,5 kg	1,0 kg	2,0 kg	1,5 kg

	<b>CU-50 + VD-01</b>	<b>CU-50 + VD-02</b>	<b>CU-50 + VD-07</b>
Volumen de refrigeración máx. con 35 mm de aislamiento de PU:	50 litros	30 litros	60 litros
Volumen de refrigeración máx. con 50 mm de aislamiento de PU:	75 litros	50 litros	80 litros
Consumo de energía:	30 W		
Temperatura:	ambiente: 32 °C, interior: 5 °C		

	<b>VD-05</b>	<b>VD-07</b>	<b>VD-08</b>	<b>VD-09</b>
Volumen de refrigeración máx. con 35 mm de aislamiento de PU:	130 litros	100 litros	160 litros	160 litros
Volumen de refrigeración máx. con 50 mm de aislamiento de PU:	170 litros	130 litros	180 litros	180 litros
Consumo de energía:	45 W	35 W	60 W	60 W
Tensión	12 V $\overline{=}$ o 24 V $\overline{=}$			
Cantidad de refrigerante:	30 g	45 g	15 g	65 g
Equivalente de CO <sub>2</sub> :	0,043 t	0,064 t	0,021 t	0,093 t
Índice GWP (Global warming potential):	1430			
Medidas (A x H x P) en mm:	375x350x25	255x210x90	450x270x340	365x140x270
Peso:	1,5 kg	1,5 kg	2,0 kg	2,0 kg

	<b>VD-14N</b>	<b>VD-15</b>	<b>VD-18</b>
Volumen de refrigeración máx. con 35 mm de aislamiento de PU:	300 litros	200 litros	100 litros
Volumen de refrigeración máx. con 50 mm de aislamiento de PU:	400 litros	250 litros	150 litros
Consumo de energía:	80 W	60 W	45 W
Tensión	12 V $\overline{=}$ o 24 V $\overline{=}$		
Cantidad de refrigerante:	15 g		
Equivalente de CO <sub>2</sub> :	0,021 t		
Índice GWP (Global warming potential):	1430		
Medidas (A x H x P) en mm:	220x275x65	220x275x65	350x250x25
Peso:	2,5 kg	1,5 kg	1,5 kg

	<b>VD-16</b>	<b>VD-21</b>
Volumen de refrigeración máx. con 60 mm de aislamiento de PU:	130 litros	250 litros
Volumen de refrigeración máx. con 100 mm de aislamiento de PU:	200 litros	300 litros
Consumo de energía:	60 W	60 W
Tensión	12 V <sup>===</sup> o 24 V <sup>===</sup>	
Cantidad de refrigerante:	40 g	10 g
Equivalente de CO2:	0,057 t	0,014 t
Índice GWP (Global warming potential):	1430	
Medidas (A x H x P) en mm:	330x260x130	1370x305x10
Peso:	2,5 kg	4,0 kg
	<b>VD-16 para la serie 80</b>	<b>VD-16 para la serie 90</b>
Volumen de refrigeración máx. con 35 mm de aislamiento de PU:	120 litros	200 litros
Volumen de refrigeración máx. con 50 mm de aislamiento de PU:	200 litros	250 litros
Consumo de energía:	65 W	80 W
Tensión	12 V <sup>===</sup> o 24 V <sup>===</sup>	
Cantidad de refrigerante:	40 g	
Equivalente de CO2:	0,057 t	
Índice GWP (Global warming potential):	1430	
Medidas (A x H x P) en mm:	380x300x62	
Peso:	5,0 kg	

**Inspección/certificados:**

El circuito refrigerante contiene R-134a.

Contiene gases de efecto invernadero fluorados

Leia atentamente as presentes instruções e siga todas as instruções, orientações e avisos incluídos neste manual, de modo a garantir a correta instalação, utilização e manutenção do produto. É OBRIGATÓRIO manter estas instruções junto com o produto.

Ao utilizar o produto, está a confirmar que leu atentamente todas as instruções, orientações e avisos, e que compreende e aceita cumprir os termos e condições estabelecidos no presente manual. Aceita utilizar este produto exclusivamente para o fim e a aplicação a que se destina e de acordo com as instruções, orientações e avisos estabelecidos neste manual, assim como de acordo com todas as leis e regulamentos aplicáveis. Caso não leia nem siga as instruções e os avisos aqui estabelecidos, poderá sofrer ferimentos pessoais ou causar ferimentos a terceiros e o produto ou outros materiais nas proximidades poderão ficar danificados. Este manual do produto, incluindo as instruções, orientações e avisos, bem como a documentação relacionada, podem estar sujeitos a alterações e atualizações. Para consultar as informações atualizadas do produto, visite [dometic.com](http://dometic.com).

## Índice

1	Explicação dos símbolos . . . . .	110
2	Indicações de segurança . . . . .	111
3	Material fornecido . . . . .	113
4	Acessórios . . . . .	113
5	Utilização adequada . . . . .	113
6	Descrição técnica . . . . .	114
7	Montar a unidade de refrigeração . . . . .	115
8	Utilizar a unidade de refrigeração . . . . .	123
9	Utilizar o acumulador de frio . . . . .	124
10	Garantia . . . . .	126
11	Eliminação . . . . .	126
12	Resolução de falhas . . . . .	126
13	Dados técnicos . . . . .	129

## 1 Explicação dos símbolos



### PERIGO!

**Indicação de segurança** sobre uma situação de perigo que leva à morte ou a ferimentos graves se não for evitada.



### AVISO!

**Indicação de segurança** sobre uma situação de perigo que pode levar à morte ou a ferimentos graves se não for evitada.

**PRECAUÇÃO!**

**Indicação de segurança** sobre uma situação de perigo que pode levar a ferimentos ligeiros ou moderados se não for evitada.

**NOTA!**

Indicação sobre uma situação que leva a danos materiais se não for evitada.

**OBSERVAÇÃO**

Informações complementares sobre a operação do produto.

## 2 Indicações de segurança

### 2.1 Princípios básicos de segurança

**PERIGO!**

- **Perigo de ferimentos mortais!**

**Ao utilizar o aparelho em barcos:** se o aparelho for alimentado pela rede elétrica, certifique-se de que a fonte de alimentação está protegida por um disjuntor de corrente residual!

**AVISO!**

- Este aparelho deve ser instalado e reparado apenas por técnicos qualificados. Reparações desadequadas podem dar origem a perigos consideráveis.  
Em caso de necessidade de reparação, dirija-se à assistência técnica.
- Não coloque o aparelho em funcionamento se este apresentar danos visíveis.
- Não abra, em caso algum, o circuito de refrigeração. Exceto se pretender desacoplar o aparelho para o devolver (capítulo “Instalar o regulador de temperatura externo” na página 119).
- Coloque o aparelho num local seco e protegido contra salpicos de água.
- Não coloque o aparelho na proximidade de chamas abertas ou de outras fontes de calor (aquecedores, radiação solar direta, fornos a gás, etc.).
- Certifique-se de que o compressor está suficientemente ventilado.

- **Os aparelhos eletrônicos não são brinquedos!**

Guarde e utilize sempre o aparelho fora do alcance das crianças.

- As pessoas (incluindo as crianças) que não estão aptas a utilizar o produto de modo seguro devido a incapacidade física, sensorial ou mental ou devido à sua inexperiência, não devem utilizar o produto sem a supervisão ou as instruções de uma pessoa responsável.
- Antes de colocar o aparelho em funcionamento pela primeira vez, verifique se a tensão de funcionamento e a tensão da bateria estão em conformidade (ver chapa de características).
- Se o cabo de conexão estiver danificado, tem de ser substituído para evitar perigos. Substitua um cabo de conexão danificado apenas por um cabo de conexão do mesmo tipo e especificação.
- Não guarde no aparelho substâncias com risco de explosão, tais como, por exemplo, latas de spray com gás carburante.

## 2.2 Utilização segura do aparelho



### **PERIGO! Perigo de ferimentos mortais!**

- Nunca toque em cabos não blindados com as mãos desprotegidas. Isto aplica-se, em especial, durante o funcionamento do aparelho com uma rede elétrica de corrente alternada.



### **NOTA!**

- Para limpar o evaporador nunca utilize produtos de limpeza que contenham areia, ácidos ou solventes.
- Proteja o aparelho e os cabos da chuva e da humidade.
- Desligue a unidade de refrigeração e outros consumidores da bateria antes de ligar o carregador rápido.



### **OBSERVAÇÃO**

- Desligue o aparelho se não necessitar dele durante algum tempo.

## 2.3 Medidas de segurança ao manusear as baterias



### **PRECAUÇÃO! Perigo de ferimentos!**

- As baterias podem conter ácidos agressivos e cáusticos. Evite qualquer tipo de contacto do corpo com o líquido das baterias. Se a sua pele entrar em contacto com o líquido da bateria, lave bem a zona afetada com água abundante.



- Se ligar o aparelho a uma bateria, certifique-se de que nenhum género alimentício entra em contacto com o ácido da bateria.

### 3 Material fornecido

Quantidade	Descrição
1	Unidade de refrigeração ou evaporador
1	Manual de instruções

### 4 Acessórios

Caso pretenda utilizar a unidade de refrigeração através da rede de corrente alterada de 230 V, utilize um dos seguintes retificadores de corrente.

Disponível como acessório (não incluído no material fornecido):

Descrição	Número de artigo
Retificador CoolPower EPS100 Para aparelhos com compressor BD 35F (séries 50/80/CS/CS)	9600000440
Retificador CoolPower MPS35 Para aparelhos com compressor BD 35F (séries 50/80/CS/CS)	9600000445
Retificador CoolPower MPS 50 Para aparelhos com compressor BD 50F (série 90)	9600000441

### 5 Utilização adequada

A unidade destina-se à construção, por conta própria, de um frigorífico.

A unidade de refrigeração é adequada para refrigerar e congelar géneros alimentícios. O aparelho também é adequado para a utilização em embarcações.

Este produto destina-se exclusivamente à aplicação e aos fins pretendidos com base nestas instruções.

Este manual fornece informações necessárias para proceder a uma instalação e/ou a uma operação adequadas do produto. Uma instalação e/ou uma operação ou manutenção incorretas causarão um desempenho insatisfatório e uma possível avaria.

O fabricante não aceita qualquer responsabilidade por danos ou prejuízos no produto resultantes de:

- Montagem ou ligação incorreta, incluindo sobretensões
- Manutenção incorreta ou utilização de peças sobressalentes não originais fornecidas pelo fabricante
- Alterações ao produto sem autorização expressa do fabricante
- Utilização para outras finalidades que não as descritas no presente manual

A Dometic reserva-se o direito de alterar o design e as especificações do produto.

## 6 Descrição técnica

As unidades de refrigeração são apropriadas para serem utilizadas tanto com uma tensão de 12 V CC como de 24 V CC, o que permite que sejam utilizadas no campismo ou em barcos. Além disso, poderá ligá-las a uma rede elétrica de 230 V através dos retificadores (ver capítulo “Acessórios” na página 113).

Ao ser utilizada em embarcações, a unidade pode ser instalada com uma inclinação constante de 30°.

A unidade de refrigeração deve ser utilizada em conjunto com um evaporador. Adicionalmente também pode ser utilizado um acumulador de frio com ou sem controlo TEC. A **CS-NC15** inclui uma unidade de refrigeração e um evaporador.

Utilize o termóstato continuamente variável existente no evaporador para definir a temperatura a desejada.

O acumulador de frio e o controlo do programa TEC permitem uma elevada potência de refrigeração, melhorando a eficiência da unidade. O acumulador de frio é carregado quando o abastecimento de energia é suficiente (por exemplo, quando alimentado através de um adaptador de rede). No caso de utilização de um acumulador de frio ou de subtensão, o agente de refrigeração é removido do acumulador de frio até este ficar vazio. Deste modo, durante esse espaço de tempo a bateria não é sobrecarregada.

O controlo do programa TEC serve para

- acumular energia frigorífica, sempre que existir energia elétrica excedente (fornecimento externo através de gerador elétrico, carregadores, unidades de alimentação, etc.)
- garantir que o acumulador de frio pode ser utilizado a qualquer momento para disponibilizar a outros consumidores toda a energia da bateria

- ativar automaticamente a energia de refrigeração armazenada, de modo a manter a temperatura de refrigeração interior da área de refrigeração quando a capacidade da bateria tiver sido consumida.



### OBSERVAÇÃO

Mais informações referentes ao acumulador de frio estão disponíveis na capítulo “Utilizar o acumulador de frio” na página 124.

## 6.1 Monitorizador da bateria

O aparelho de refrigeração está equipado com um aparelho eletrónico que protege contra a inversão da polaridade ao efetuar a ligação com uma bateria. Para proteção da bateria, o aparelho de refrigeração desliga-se automaticamente em caso de insuficiência de tensão (consulte as tabelas seguintes).

### Aparelhos sem controlo TEC

Tensão de conexão	Tensão de desconexão	Tensão de novo arranque
12 V	10,4 V	11,7 V
24 V	22,8 V	24,2 V

### Aparelhos com controlo TEC

Tensão de conexão	Tensão de desconexão	Tensão de novo arranque
12 V	10,7 V	13,0 V
24 V	22,0 V	26,0 V

## 7 Montar a unidade de refrigeração



### AVISO!

A instalação só pode ser realizada por um técnico qualificado.

### 7.1 Ferramentas necessárias

Para a **instalação e montagem** são necessárias as seguintes ferramentas:

- Berbequim

- Chave de parafusos
- Chave de bocas: 16 mm, 19 mm e 21 mm
- Massa de vedação e espuma de montagem
- Cabos, terminais de cabos e braçadeiras para cabos
- Óleo éster

## 7.2 Indicações referentes ao recipiente de refrigeração

### Capacidade máxima do compartimento de refrigeração

Certifique-se de que não ultrapassa a capacidade máxima do compartimento de refrigeração especificada para o respetivo tipo de evaporador (ver capítulo “Dados técnicos” na página 129).

### Isolamento mínimo

A capacidade máxima do compartimento de refrigeração tem como base um isolamento mínimo em espuma de poliuretano de 35 mm com um peso específico de 40 kg/m<sup>3</sup>. Caso sejam utilizados outros materiais isolantes, como esferovite, por exemplo, torna-se necessário duplicar a espessura das paredes por forma a conseguir o mesmo isolamento térmico.

### Montar o evaporador

O evaporador tem de ser instalado no recipiente de refrigeração (exceto na **CS-NC15**, em que o evaporador está pré-montado).

Durante a montagem preste atenção ao seguinte:

- posição de instalação correta (fig. **3**, página 4 até fig. **9**, página 6)
- colocação no recipiente de refrigeração o mais para cima possível
- instalação a uma distância mínima de 10 mm da parede (**exceto VD-14N e VD-15**).



#### NOTA!

Em caso de unidades de refrigeração sem acoplamentos de válvula (unidades prontas a ser montadas): durante a montagem, não abra o circuito de refrigeração. Se necessário, preveja aberturas suficientemente grandes por onde possa passar o evaporador (fig. **11**, página 6). Ou prepare uma abertura de modo a que seja possível passar os cabos de refrigeração por cima (fig. **12**, página 6).

## Ligar o evaporador

- ▶ Ligue os evaporadores **VD-14N e VD-15** de acordo com fig. **10**, página 6.
- ▶ Ligue o evaporador **VD-16** de acordo com fig. **9**, página 6.
- ▶ Ligue os restantes evaporadores de acordo com fig. **19**, página 9.

## Legendas referentes às figuras

N.º na fig. <b>8</b> , página 5	Explicação
1	Ventilador CC
2	Botão do termóstato
3	Ficha de conexão do ventilador CC
4	Termóstato
5	Cabo de conexão

N.º na fig. <b>9</b> , página 6	Explicação
1	Cabo de conexão

N.º na fig. <b>10</b> , página 6	Explicação
1	Cabo de conexão

N.º na fig. <b>19</b> , página 9 e fig. <b>20</b> , página 9	Explicação
1	Bloco de conexão
2	Compressor
3	Ventilador
4	Interruptor fig. <b>19</b> ou controlador TEC fig. <b>20</b>

**NOTA!**

Após a montagem bem-sucedida, isole e impermeabilize cuidadosamente as aberturas da parede para impedir uma eventual infiltração de humidade.

**Para unidades de refrigeração com acoplamentos de válvula**

- ▶ Para passar os cabos de refrigeração, recorte uma abertura com um diâmetro de pelo menos 30 mm (fig. 13, página 7). Para tal, utilize um cortador circular.

**NOTA!**

Nunca dobre o cabo de conexão entre o evaporador e a unidade. Raio mínimo de curvatura 25 mm.

## 7.3 Montar a unidade de refrigeração

A escolha correta do local para instalação da unidade é crucial. Para garantir um funcionamento correto tenha em conta os seguintes pontos:

- Instale a unidade de refrigeração num lugar seco e protegido. Evite a instalação junto a fontes de calor como radiadores, fogões a gás ou canalizações de água quente. Não deixe a unidade exposta à luz solar direta.
- Instale a unidade de refrigeração em embarcações, se possível, abaixo da linha de água.
- A unidade de refrigeração funciona com um ângulo de inclinação máximo de 30°. Instale-a numa superfície plana, para que o seu funcionamento seja assegurado mesmo com inclinação forte.
- O ar aquecido deve dissipar-se sem obstruções (fig. 14, página 7).
- Caso a unidade seja montada em compartimentos fechados como roupeiros, dispensas ou cofres devem ser previstas aberturas com uma secção transversal de pelo menos 200 cm<sup>2</sup> (25 cm x 8 cm) para fins de ventilação.
- Certifique-se de que o fluxo de ar do condensador não é obstruído (fig. 14 C, página 7).
- Mantenha uma distância mínima de 50 mm entre o condensador e a parede limitadora.
- **CS-NC15:** Tenha em atenção o molde de perfuração (fig. 21, página 11) e o esquema de instalação (fig. 22, página 12).

## 7.4 Instalar o regulador de temperatura externo

### Termóstato mecânico

O regulador de temperatura pode ser montado no interior ou no exterior do recipiente de refrigeração. A temperatura interior é regulada em função da temperatura de superfície do evaporador ou, **no caso do VD-14N e VD-15**, dependendo da temperatura ambiente.

- ▶ Ligue a extremidade enrolada do cabo do sensor ao evaporador (fig. **15**, página 8, **exceto VD-14N, VD-15**), utilizando a placa de fixação. No **VD-14N, VD-15**, estas peças já estão pré-montadas.
- ▶ Tenha cuidado para que o cabo do sensor não entre em contacto com o evaporador ou com o tubo de aspiração em nenhum outro ponto.

### Controlador TEC

O controlador TEC tem de ser montado no exterior do recipiente de refrigeração. A regulação da temperatura interior efetua-se em função da temperatura de superfície do evaporador.

O sensor de temperatura vem instalado de fabrica ao acumulador de energia de forma fixa.

- ▶ Ligue o sensor de temperatura ao controlo TEC através do acoplamento de encaixe.

### Montar os acoplamentos unidireccionais (exceto CS-NC15)



#### NOTA!

Os acoplamentos unidireccionais só podem ser ligados por técnicos formados e qualificados na área da tecnologia de refrigeração. É obrigatório cumprir os regulamentos gerais relativos ao manuseamento de agentes de refrigeração!

Os acoplamentos unidireccionais são adequados para unir as unidades de refrigeração apenas uma única vez. A reabertura ou a ligação incorreta dos acoplamentos resultará na perda completa do agente de refrigeração e na avaria da unidade de refrigeração!

Nestes casos, as duas peças da unidade de refrigeração previamente ligadas devem ser desmontadas e enviadas para o fabricante. Em fábrica, os acoplamentos unidireccionais serão renovados e o produto será reabastecido com agente de refrigeração.

Os dois componentes da unidade de refrigeração – o evaporador e o grupo compressor-condensador – são fornecidos em separado. Os componentes estão ligados mediante acoplamentos unidirecionais. A quantidade de agente de refrigeração necessária para utilizar a unidade de refrigeração completa já está incluída nos dois componentes. Deste modo, não é necessário abastecer posteriormente com agente de refrigeração.

- ▶ Monte o grupo compressor-condensador e a unidade do evaporador.
- ▶ Remova as tampas protetoras e as fichas das metades livres do acoplamento unidirecional do grupo compressor-condensador e da unidade do evaporador.
- ▶ Limpe cuidadosamente o assento do acoplamento e a superfície roscada para evitar a infiltração de sujidade e materiais estranhos no sistema.



#### **NOTA! Risco de fuga do agente de refrigeração**

- Para evitar que os tubos torçam, utilize sempre duas chaves ao apertar os acoplamentos unidirecionais!
- Não é permitido reutilizar os acoplamentos unidirecionais!
- Com a chave, determine qual das duas ligações de aperto unidirecionais é mais difícil de alcançar e ligue a dita ligação primeiro.
- Ligue sempre primeiro uma ligação de acoplamento unidirecional e depois a outra.



#### **OBSERVAÇÃO**

O o-ring é apenas um vedante temporário durante a ligação inicial dos acoplamentos unidirecionais. Este o-ring é utilizado apenas como vedante inicial entre a perfuração do diafragma e a vedação metálica final. Uma vedação sem fugas só pode ser obtida mediante uma ligação metálica entre as duas metades do acoplamento.

- ▶ Aplique óleo de refrigeração às roscas internas e externas, assim como aos mandris internos (fig. **16**, página 8).
- ▶ Ligue as duas metades do acoplamento e enrosque-as à mão primeiro (fig. **17**, página 8). Não utilize uma chave!

#### **Acoplamento unidirecional com porca de união:**

- ▶ Com uma chave de 21 mm e uma chave de 19 mm, aparafuse a metade do acoplamento com a porca de união até ao final da rosca ou até sentir resistência. Ainda não aperte a união roscada.

A chave de 19 mm serve de guia ao aparafusar a porca de união.

#### **Ligar o acoplamento unidirecional à rosca externa:**



- ▶ Com uma chave de 21 mm e uma chave de 16 mm, aparafuse a metade do acoplamento com a porca de união até ao final da rosca ou até sentir resistência. Ainda não aperte a união roscada.  
A chave de 16 mm serve de encosto ao aparafusar a porca de união.
- ▶ Com um lápis, desenhe uma linha longitudinal desde a porca de união ao suporte da metade oposta do acoplamento.
- ▶ Agora, aperte firmemente a porca de união com um torque de 30 Nm ou com mais um quarto de volta. O desvio da linha indica a força com que foi apertado o acoplamento unidirecional.  
Esta última volta é necessária para assegurar uma ligação sem fugas entre as metades do acoplamento.



### OBSERVAÇÃO

A distância entre o início da porca de união e o hexágono da rosca externa não deve ser superior a 3 mm (fig. 17, página 8).

- ▶ Teste a estanqueidade das ligações de acoplamento. Esta ação assegura que os acoplamentos unidirecionais estão corretamente unidos e que a vedação funciona.

## 7.5 Ligar a unidade de refrigeração

### Conexão a uma bateria

A unidade de refrigeração pode funcionar com uma alimentação de tensão de 12 V CC ou de 24 V CC.



### NOTA!

Para evitar perdas de tensão e potência, o cabo deve ser o mais curto possível e não deve ser interrompido.  
Evite, por isso, interruptores, fichas ou distribuidores adicionais.

- ▶ Determine o corte transversal necessário do cabo de acordo com o comprimento do cabo, conforme a fig. 18, página 8.

Legenda da fig. 18, página 8

Eixo de coordenada	Significado	Unidade
I	Comprimento do cabo	m
∅	Secção transversal do cabo	mm <sup>2</sup>

**NOTA!**

Tenha atenção à polaridade correta.

- ▶ Antes de colocar a unidade em funcionamento pela primeira vez, verifique se a tensão de funcionamento e a tensão da bateria estão em conformidade (ver chapa de características).
- ▶ Ligue a sua unidade de refrigeração
  - o mais diretamente possível ao polo da bateria ou
  - a uma tomada que assegure, no mínimo, 15 A (a 12 V) ou 7,5 A (a 24 V).

**NOTA!**

Desconecte o aparelho de refrigeração e outros consumidores da bateria antes de ligar a bateria a um carregador rápido. As sobretensões podem danificar o sistema eletrónico do aparelho.

Por motivos de segurança, a unidade está equipada com um sistema eletrónico para evitar a inversão da polaridade. Desta forma, protege-se a unidade quando está ligada a uma bateria.

**Ligar a uma rede de 230 V****AVISO!**

- Nunca manuseie fichas e interruptores quando tiver as mãos molhadas ou quando tiver os pés em pavimento molhado.
- Se estiver a utilizar o aparelho de refrigeração a bordo de um barco com uma conexão à rede elétrica de 230 V em terra firme, terá de instalar sempre um disjuntor de corrente residual entre a rede elétrica de 230 V e o aparelho de refrigeração.  
Solicite o parecer de um técnico especializado.

- ▶ Para utilizar a unidade com a rede elétrica de 230 V, utilize o retificador
  - CoolPower EPS100 para aparelhos com compressor BD35F (séries 50/80/CS/CS),
  - CoolPower MPS35 para aparelhos com compressor BD35F (séries 50/80/CS/CS),
  - CoolPower MPS50 para aparelhos com compressor BD50F (série 90).

**OBSERVAÇÃO**

A tensão de saída do retificador descrito é de 24 V. Tenha este facto em atenção quando ligar outros consumidores posteriormente.

## 8 Utilizar a unidade de refrigeração

### 8.1 Sugestões para poupar energia

- Escolha um local de montagem bem ventilado e protegido da luz solar direta.
- Deixe os géneros alimentícios quentes arrefecerem primeiro antes de os colocar no aparelho.
- Não abra a arca de refrigeração mais vezes do que o necessário.
- Não deixe a porta aberta durante mais tempo do que o necessário.
- Descongele a arca de refrigeração assim que se forme uma camada de gelo.
- Evite temperaturas desnecessariamente baixas.
- Limpe regularmente o condensador para eliminar o pó e a sujidade.
- Limpe regularmente a vedação da tampa.

### 8.2 Colocar a unidade a funcionar

#### Aparelhos sem controlo TEC

- ▶ Ligue a unidade rodando o botão de controlo para a direita (fig. **1** A1 ou B1, página 3).

Se rodar mais o botão de controlo, pode regular a temperatura. Os aparelhos com função de acumulação de energia possuem adicionalmente um botão de ativação (fig. **1** A2, página 3).



#### OBSERVAÇÃO

Se o LED vermelho acender de modo intermitente ou permanente, o sistema apresenta uma falha e não está operacional (consulte a tabela de erros no capítulo “LED no elemento térmico (fig. **1** 2, página 3)” na página 126).

#### Aparelhos com controlo TEC

Os aparelhos com controlo TEC são colocados em funcionamento através do interruptor principal (fig. **2** 6, página 3). Em seguida, pode regular a temperatura (fig. **2** 5, página 3) com o regulador de temperatura.

## 8.3 Desligar a unidade de refrigeração

Se não pretender utilizar a unidade de refrigeração durante um longo período, proceda do seguinte modo:

- ▶ **Aparelhos sem controlo TEC:** Rode o botão para a posição 0.
- ▶ **Aparelhos com controlo TEC:** Desligue o aparelho através do interruptor principal (fig. 2 6, página 3).
- ▶ Desconecte o cabo de alimentação da bateria ou retire a ficha do cabo CC do retificador.
- ▶ Limpe o aparelho de refrigeração.
- ▶ Deixe a tampa ou a porta ligeiramente aberta. Evita-se, assim, a formação de odores.

## 9 Utilizar o acumulador de frio

### 9.1 Elementos de indicação e de comando de aparelhos com controlo do programa TEC

N.º na fig. 2, página 3	Explicação
1	LED verde: indica que o compressor funciona.
2	LED amarelo: indica que existe uma fonte de alimentação externa (tensão superior a 13,5 V ou 27,0 V). O LED acende de modo intermitente se a fonte de alimentação externa for muito baixa (tensão $\leq 10,7$ V ou 21,7 V. Versão E: $\leq 10,7$ V ou 22,0 V).
3	LED vermelho: indica que o acumulador está a ser descarregado devido a <ul style="list-style-type: none"> <li>• um acionamento manual da tecla de ativação do acumulador</li> <li>• um encerramento por subtensão (tensão <math>\leq 10,7</math> V ou 21,4 V. Versão E: <math>\leq 10,7</math> V ou 22,0 V).</li> </ul>
4	Tecla de ativação do acumulador: interrompe o funcionamento do compressor até que <ul style="list-style-type: none"> <li>• a energia frigorífica acumulada tenha sido consumida</li> <li>• a tensão de alimentação externa tenha sido alcançada de novo após subtensão.</li> </ul>

N.º na fig. <b>2</b> , página 3	Explicação
5	Regulador de temperatura: permite definir a temperatura pretendida para a área de refrigeração mín. (batente esquerdo) = regulação mais quente máx. (batente direito) = regulação mais fria
6	Interruptor principal: para ligar e desligar o aparelho de refrigeração. Posição 0 = DESLIGADO Posição – = LIGADO

## 9.2 Função de acumulação de frio

A função de acumulação de frio garante o armazenamento automático da energia de refrigeração (até 8 horas) se houver energia elétrica suficiente, por exemplo, quando é fornecida por um adaptador de rede.

A ativação do frio acumulado ocorre

- automaticamente quando é alcançada a tensão de desconexão (consulte a tabela na página 115)
- ou manualmente ao carregar na tecla de ativação do acumulador (fig. **1** A2 ou fig. **2** 4, página 3).



### OBSERVAÇÃO

O acumulador de frio apenas pode ser acionado após ter sido devidamente carregado.

O acumulador de frio volta a ser carregado automaticamente

- quando a tensão de reativação tiver sido ultrapassada
- ou se o acumulador estiver vazio e o utilizador desligar e ligar novamente o aparelho com o botão de controlo (fig. **2** 6, página 3, funciona apenas no VD-06).



### NOTA!

Se for acionado o acumulador de frio embora exista fornecimento externo de energia – para, por exemplo, evitar ruídos de funcionamento do compressor –, a unidade deve ser desligada com o interruptor principal (fig. **1** B1 ou fig. **2** 6, página 3).

**OBSERVAÇÃO**

Tenha em conta: temperatura interior baixa = maior consumo de energia!

## 10 Garantia

É válido o prazo de garantia legal. Se o produto estiver com defeito, por favor, dirija-se à representação do fabricante no seu país (ver [dometic.com/dealer](http://dometic.com/dealer)) ou ao seu revendedor.

Para fins de reparação ou de garantia, terá de enviar os seguintes documentos em conjunto:

- uma cópia da factura com a data de aquisição,
- um motivo de reclamação ou uma descrição da falha.

## 11 Eliminação

- Sempre que possível, coloque o material de embalagem no respectivo contentor de reciclagem.



Para colocar o aparelho definitivamente fora de funcionamento, por favor, informe-se junto do centro de reciclagem mais próximo ou revendedor sobre as disposições de eliminação aplicáveis.

## 12 Resolução de falhas

### LED no elemento térmico (fig. 1 2, página 3)

Número de impulsos luminosos	Tipo de erro	Resolução
1	Desconexão por proteção da bateria	Verificar a tensão da bateria, o fusível e a secção transversal do cabo
2	Desconexão por sobretensão do ventilador	Verificar a corrente do ventilador do condensador e do evaporador: valor teórico total < 0,5 A

Número de impulsos luminosos	Tipo de erro	Resolução
3	Falha no arranque do condensador	Descarregar o sistema de refrigeração: <ul style="list-style-type: none"> <li>• Assegurar boa ventilação em redor da unidade de refrigeração</li> <li>• Armazenar produtos pré-refrigerados</li> </ul>
4	Desconexão do condensador por sobrecarga	Descarregar o sistema de refrigeração: <ul style="list-style-type: none"> <li>• Assegurar boa ventilação em redor da unidade de refrigeração</li> <li>• Armazenar produtos pré-refrigerados</li> </ul>
5	Desconexão de proteção do sistema eletrónico	Descarregar o sistema de refrigeração: <ul style="list-style-type: none"> <li>• Assegurar boa ventilação em redor da unidade de refrigeração</li> </ul>

## O compressor não funciona

Falha	Possível causa	Resolução
$U_T = 0V$	A ligação entre a bateria e o sistema eletrónico está interrompida	Efetuar a conexão
	Interruptor principal com avaria (caso exista)	Substituir o interruptor principal
	Fusível adicional na linha de alimentação queimado (se instalado)	Substitua o fusível
$U_T \leq U_{ON}$	Tensão da bateria demasiado baixa	Carregar a bateria
Tentativa de arranque com $U_T \leq U_{OFF}$	Cabos soltos	Efetuar a conexão
	Mau contacto (corrosão)	
	Capacidade da bateria demasiado baixa	Substituir a bateria
Tentativa de arranque com $U_T \geq U_{ON}$	Corte transversal do cabo demasiado pequeno	Substituir o cabo (fig. 18, página 8)
	Temperatura ambiente demasiado elevada	–
	Ventilação e/ou arrefecimento insuficiente	Garantir uma melhor ventilação e exaustão de ar da unidade refrigeradora
	O condensador está sujo	Limpar o condensador
	Ventilador com avaria (caso exista)	Substitua o ventilador

$U_T$  Tensão entre os terminais eletrónicos positivo e negativo

$U_{LIG}$  Tensão de ligação do sistema eletrónico

$U_{DES-LIG}$  Tensão de desconexão do sistema eletrónico

## Temperatura interior muito baixa com o regulador na posição 1

Falha	Possível causa	Resolução
O compressor está sempre a funcionar	O sensor do termostato não está em contacto com o evaporador	Fixar o sensor
	Avaria no termostato	Substituir o termostato
O compressor está a funcionar há muito tempo	Foram congeladas grandes quantidades de alimentos no congelador	–

## Perda da potência de refrigeração, a temperatura interior sobe

Falha	Possível causa	Resolução
O compressor está a funcionar há muito tempo/permanentemente	Evaporador congelado	Descongelar o evaporador
	Temperatura ambiente demasiado elevada	–
	Ventilação e/ou arrefecimento insuficiente	Garantir uma melhor ventilação e exaustão de ar da unidade de refrigeração
	O condensador está sujo	Limpar o condensador
	Ventilador com avaria (caso exista)	Substitua o ventilador
O compressor funciona esporadicamente	A capacidade da bateria está esgotada	Carregar a bateria

## Ruídos não habituais

Falha	Possível causa	Resolução
Ruído agudo	Um componente do circuito de refrigeração não consegue deslocar-se livremente (está encostado à parede)	Afastar cuidadosamente o componente da obstrução
	Corpo estranho preso entre o aparelho de refrigeração e a parede	Remover o corpo estranho
	Ruído do ventilador (se existente)	Limpar as pás do ventilador



## 13 Dados técnicos

	<b>50</b>	<b>54</b>	<b>55</b>
Capacidade máx. do compartimento de refrigeração:	80 litros	130 litros	
Tensão de conexão:	12 V $\overline{\text{---}}$ ou 24 V $\overline{\text{---}}$		
Consumo de corrente:	35–40 W, de acordo com o tipo de evaporador		
Quantidade de agente de refrigeração:	28 g	35 g	
Equivalente a CO <sub>2</sub> :	0,040 t	0,050 t	
Potencial de aquecimento global (PAG):	1430		
Dimensões (L x A x P) em mm:	315 x 140 x 170	386x155x130	220x160x220
Peso:	3,74 kg	6,0 kg	6,5 kg

	<b>84</b>	<b>85</b>	<b>86</b>
Capacidade máx. do compartimento de refrigeração:	250 litros		
Tensão de conexão:	12 V $\overline{\text{---}}$ ou 24 V $\overline{\text{---}}$		
Quantidade de agente de refrigeração:	45 g		
Equivalente a CO <sub>2</sub> :	0,064 t		
Potencial de aquecimento global (PAG):	1430		
Dimensões (L x A x P) em mm:	386x155x130	220x155x220	220x230x177
Peso:	6,0 kg	6,0 kg	6,5 kg

	<b>94</b>	<b>95</b>	<b>96</b>
Capacidade máx. do compartimento de refrigeração:	400 litros		
Tensão de conexão:	12 V $\overline{\text{---}}$ ou 24 V $\overline{\text{---}}$		
Quantidade de agente de refrigeração:	60 g		

	<b>94</b>	<b>95</b>	<b>96</b>
Equivalente a CO2:	0,086 t		
Potencial de aquecimento global (PAG):	1430		
Dimensões (L x A x P) em mm:	386x155x130	220x155x220	220x230x177
Peso:	6,0 kg	6,0 kg	6,5 kg

<b>CS-NC15</b>	
Capacidade máx. do compartimento de refrigeração:	250 litros
Tensão de conexão:	12 V <sup>===</sup> ou 24 V <sup>===</sup>
Quantidade de agente de refrigeração:	60 g
Equivalente a CO2:	0,086 t
Potencial de aquecimento global (PAG):	1430
Dimensões (L x A x P) em mm:	360x255x275
Peso:	8,5 kg

	<b>VD-01</b>	<b>VD-02</b>	<b>VD-03</b>	<b>VD-04</b>
Capacidade máx. da área de refrigeração com isolamento PU de 35 mm:	80 litros	30 litros	170 litros	130 litros
Capacidade máx. da área de refrigeração com isolamento PU de 50 mm:	100 litros	50 litros	200 litros	170 litros
Consumo de corrente:	35 W	35 W	50 W	45 W
Tensão	12 V <sup>===</sup> ou 24 V <sup>===</sup>			
Quantidade de agente de refrigeração:	17 g		20 g	30 g
Equivalente a CO2:	0,024 t		0,029 t	0,043 t
Potencial de aquecimento global (PAG):	1430			

	<b>VD-01</b>	<b>VD-02</b>	<b>VD-03</b>	<b>VD-04</b>
Dimensões (L x A x P) em mm:	300x245x110	275x215x25	380x230x82	375x255x100
Peso:	1,5 kg	1,0 kg	2,0 kg	1,5 kg

	<b>CU-50 + VD-01</b>	<b>CU-50 + VD-02</b>	<b>CU-50 + VD-07</b>
Capacidade máx. da área de refrigeração com isolamento PU de 35 mm:	50 litros	30 litros	60 litros
Capacidade máx. da área de refrigeração com isolamento PU de 50 mm:	75 litros	50 litros	80 litros
Consumo de corrente:	30 W		
Temperatura:	ambiente: 32 °C, interior: 5 °C		

	<b>VD-05</b>	<b>VD-07</b>	<b>VD-08</b>	<b>VD-09</b>
Capacidade máx. da área de refrigeração com isolamento PU de 35 mm:	130 litros	100 litros	160 litros	160 litros
Capacidade máx. da área de refrigeração com isolamento PU de 50 mm:	170 litros	130 litros	180 litros	180 litros
Consumo de corrente:	45 W	35 W	60 W	60 W
Tensão	12 V $\equiv$ ou 24 V $\equiv$			
Quantidade de agente de refrigeração:	30 g	45 g	15 g	65 g
Equivalente a CO <sub>2</sub> :	0,043 t	0,064 t	0,021 t	0,093 t
Potencial de aquecimento global (PAG):	1430			
Dimensões (L x A x P) em mm:	375x350x25	255x210x90	450x270x340	365x140x270
Peso:	1,5 kg	1,5 kg	2,0 kg	2,0 kg

	<b>VD-14N</b>	<b>VD-15</b>	<b>VD-18</b>
Capacidade máx. da área de refrigeração com isolamento PU de 35 mm:	300 litros	200 litros	100 litros
Capacidade máx. da área de refrigeração com isolamento PU de 50 mm:	400 litros	250 litros	150 litros
Consumo de corrente:	80 W	60 W	45 W
Tensão	12 V <sup>===</sup> ou 24 V <sup>===</sup>		
Quantidade de agente de refrigeração:	15 g		
Equivalente a CO2:	0,021 t		
Potencial de aquecimento global (PAG):	1430		
Dimensões (L x A x P) em mm:	220x275x65	220x275x65	350x250x25
Peso:	2,5 kg	1,5 kg	1,5 kg

	<b>VD-16</b>	<b>VD-21</b>
Capacidade máx. da área de refrigeração com isolamento PU de 60 mm:	130 litros	250 litros
Capacidade máx. da área de refrigeração com isolamento PU de 100 mm:	200 litros	300 litros
Consumo de corrente:	60 W	60 W
Tensão	12 V <sup>===</sup> ou 24 V <sup>===</sup>	
Quantidade de agente de refrigeração:	40 g	10 g
Equivalente a CO2:	0,057 t	0,014 t
Potencial de aquecimento global (PAG):	1430	

	<b>VD-16</b>	<b>VD-21</b>
Dimensões (L x A x P) em mm:	330x260x130	1370x305x10
Peso:	2,5 kg	4,0 kg
	<b>VD-16 para série 80</b>	<b>VD-16 para série 90</b>
Capacidade máx. da área de refrigeração com isolamento PU de 35 mm:	120 litros	200 litros
Capacidade máx. da área de refrigeração com isolamento PU de 50 mm:	200 litros	250 litros
Consumo de corrente:	65 W	80 W
Tensão	12 V <sup>===</sup> ou 24 V <sup>===</sup>	
Quantidade de agente de refrigeração:	40 g	
Equivalente a CO2:	0,057 t	
Potencial de aquecimento global (PAG):	1430	
Dimensões (L x A x P) em mm:	380x300x62	
Peso:	5,0 kg	

**Teste/certificados:**

O circuito do agente de refrigeração contém R-134a.

Contém gases fluorados com efeito de estufa

Si prega di leggere attentamente e di seguire tutte le istruzioni, le linee guida e le avvertenze incluse in questo manuale del prodotto, al fine di garantire che il prodotto venga sempre installato, utilizzato e mantenuto nel modo corretto. Queste istruzioni DEVONO essere conservate insieme al prodotto.

Utilizzando il prodotto, l'utente conferma di aver letto attentamente tutte le istruzioni, le linee guida e le avvertenze e di aver compreso e accettato di rispettare i termini e le condizioni qui espressamente indicati. L'utente accetta di utilizzare questo prodotto solo per lo scopo e l'applicazione previsti e in conformità con le istruzioni, le linee guida e le avvertenze indicate nel presente manuale del prodotto, nonché in conformità con tutte le leggi e i regolamenti applicabili. La mancata lettura e osservanza delle istruzioni e delle avvertenze qui espressamente indicate può causare lesioni personali e a terzi, danni al prodotto o ad altre proprietà nelle vicinanze. Il presente manuale del prodotto, comprese le istruzioni, le linee guida e le avvertenze e la relativa documentazione possono essere soggetti a modifiche e aggiornamenti. Per informazioni aggiornate sul prodotto, si prega di visitare il sito [dometic.com](http://dometic.com).

## Indice

1	Spiegazione dei simboli . . . . .	134
2	Istruzioni per la sicurezza . . . . .	135
3	Dotazione . . . . .	137
4	Accessori . . . . .	137
5	Conformità d'uso . . . . .	137
6	Descrizione delle caratteristiche tecniche . . . . .	138
7	Installazione del gruppo refrigerante . . . . .	140
8	Utilizzo del gruppo refrigerante . . . . .	147
9	Utilizzo dell'accumulatore di refrigerante . . . . .	149
10	Garanzia . . . . .	150
11	Smaltimento . . . . .	150
12	Eliminazione dei guasti . . . . .	151
13	Specifiche tecniche. . . . .	153

## 1 Spiegazione dei simboli



### PERICOLO!

**Indicazione di sicurezza** che segnala una situazione di pericolo che se non evitata provoca morte o gravi lesioni.



### AVVERTENZA!

**Indicazione di sicurezza** che segnala una situazione di pericolo che se non evitata può provocare morte o gravi lesioni.

**ATTENZIONE!**

**Indicazione di sicurezza** che segnala una situazione di pericolo che se non evitata può provocare lesioni lievi o di gravità media.

**AVVISO!**

Indicazione di una situazione che se non evitata può provocare danni materiali.

**NOTA**

Informazioni integranti relative all'impiego del prodotto.

## 2 Istruzioni per la sicurezza

### 2.1 Sicurezza generale

**PERICOLO!**

- **Pericolo di lesioni mortali!**

**Quando si utilizza l'apparecchio su imbarcazioni:** se l'apparecchio è alimentato dalla rete, assicurarsi che l'alimentazione sia dotata di interruttore differenziale!

**AVVERTENZA!**

- Questo apparecchio può essere installato e riparato solo da un tecnico qualificato. Riparazioni eseguite non correttamente possono creare considerevoli rischi.  
Per le riparazioni rivolgersi al servizio assistenza clienti.
- Non mettere in funzione l'apparecchio se presenta danni visibili.
- Non aprire in nessun caso il circuito di raffreddamento. Un'eccezione è quando l'apparecchio deve essere scollegato per rispedirlo indietro (capitolo "Installazione del regolatore di temperatura esterno" a pagina 143).
- Installare l'apparecchio in un luogo asciutto e protetto da eventuali spruzzi d'acqua.
- Non posizionare l'apparecchio in prossimità di fiamme libere o di altre fonti di calore (radiatori, esposizione diretta ai raggi solari, forni a gas ecc.).
- Assicurarsi che il compressore sia sufficientemente ventilato.

- **Gli apparecchi elettronici non sono giocattoli!**

Conservare e utilizzare il dispositivo lontano dalla portata dei bambini.

- Le persone (bambini inclusi) che, a causa delle proprie capacità fisiche, sensoriali o mentali oppure della propria inesperienza o scarsa conoscenza, non sono in grado di utilizzare il prodotto in modo sicuro, non devono utilizzare questo prodotto in assenza di supervisione o istruzioni da parte di una persona responsabile.
- Prima di avviare l'apparecchio per la prima volta controllare che la tensione di esercizio e quella della batteria corrispondano (vedi targhetta).
- Se il cavo di collegamento è danneggiato, per evitare eventuali pericoli elettrici è necessario sostituirlo. Sostituire un cavo di collegamento danneggiato solo con un cavo dello stesso tipo e con le stesse specifiche.
- Nell'apparecchio non conservare sostanze esplosive come ad es. bombolette spray con gas propellente.

## 2.2 Sicurezza durante l'utilizzo del dispositivo



### **PERICOLO! Pericolo di lesioni mortali!**

- Non toccare mai i cavi esposti a mani nude. Questo vale soprattutto per il funzionamento con rete di alimentazione CA.



### **AVVISO!**

- Non utilizzare detergenti contenenti sabbia, acidi o solventi per pulire l'evaporatore.
- Proteggere l'apparecchio da pioggia e umidità.
- Staccare il gruppo refrigerante e le altre utenze dalla batteria prima di collegarla a un caricabatterie rapido.



### **NOTA**

- Scollegare l'apparecchio se non verrà utilizzato per un periodo di tempo prolungato.



## 2.3 Precauzioni per la sicurezza durante la manipolazione delle batterie



### ATTENZIONE! Pericolo di lesioni!

- Le batterie contengono acidi aggressivi e corrosivi. Evitare che il liquido delle batterie venga a contatto con la pelle. In caso di contatto della pelle con il liquido delle batterie, lavare accuratamente la parte del corpo interessata con acqua.
- Quando l'apparecchio viene collegato a una batteria, assicurarsi che gli alimenti non vengano in contatto con l'acido della stessa.

## 3 Dotazione

Quantità	Descrizione
1	Gruppo refrigerante o evaporatore
1	Manuale di istruzioni

## 4 Accessori

Per utilizzare il gruppo refrigerante con la rete di alimentazione 230 V CA, utilizzare uno dei raddrizzatori seguenti.

Disponibili come accessorio (non in dotazione):

Descrizione	Numero articolo
Raddrizzatore CoolPower EPS100 Per apparecchi con compressore BD 35F (50/80/CS/serie CS)	9600000440
Raddrizzatore CoolPower MPS 35 Per apparecchi con compressore BD 35F (50/80/CS/serie CS)	9600000445
Raddrizzatore CoolPower MPS 50 Per apparecchi con compressore BD 50F (serie 90)	9600000441

## 5 Conformità d'uso

Il gruppo refrigerante è adatto per costruire il proprio frigorifero o frigorifero portatile.

Il gruppo refrigerante è adatto per raffreddare e congelare gli alimenti. L'apparecchio è anche adatto per il funzionamento su imbarcazioni.

Questo prodotto è adatto solo per l'uso e l'applicazione previsti in conformità con le presenti istruzioni.

Questo manuale fornisce le informazioni necessarie per la corretta installazione e/o il funzionamento del prodotto. Una cattiva installazione e/o un funzionamento o una manutenzione impropria comporteranno prestazioni insoddisfacenti e un possibile guasto.

Il produttore non si assume alcuna responsabilità per eventuali lesioni o danni al prodotto che derivino da:

- montaggio o collegamento non corretti, compresa la sovratensione
- manutenzione o uso non corretti di ricambi diversi da quelli originali forniti dal produttore
- modifiche al prodotto senza esplicita autorizzazione del produttore
- impiego per fini diversi rispetto a quelli descritti nel presente manuale

Dometic si riserva il diritto di modificare l'aspetto e le specifiche del prodotto.

## 6 Descrizione delle caratteristiche tecniche

I gruppi refrigeranti sono adatti per essere impiegati con una tensione di 12 V o 24 V CC e possono quindi essere utilizzati ad es. anche in campeggio o su imbarcazioni. Inoltre, è possibile collegarli a un'alimentazione 230 V tramite i raddrizzatori (vedi capitolo "Accessori" a pagina 137).

Nel caso di impiego su imbarcazioni, il gruppo refrigerante può sopportare uno sbandamento continuo di 30°.

Il gruppo refrigerante deve essere usato insieme a un evaporatore. Inoltre, è possibile utilizzare un accumulatore con o senza controllo TEC. **CS-NC15** comprende un gruppo refrigerante e un evaporatore.

Utilizzare il termostato regolabile in modo continuo sull'evaporatore per impostare la temperatura desiderata.

L'accumulatore e il controllo del programma TEC assicurano un'elevata capacità di raffreddamento e migliorano l'efficienza dell'unità. L'accumulatore viene caricato quando c'è un'alimentazione sufficiente (per esempio quando è alimentato da un adattatore di rete). In caso di utilizzo dell'accumulatore o di sottotensione, il refrigerante viene prelevato dall'accumulatore finché non è vuoto. In questo modo, durante questo periodo non viene prelevata energia dalla batteria.

Il controllo del programma TEC assicura sempre che

- sia immagazzinata energia fredda in presenza di un eccesso di energia elettrica (alimentazione esterna tramite un generatore)
- l'accumulatore di freddo possa essere utilizzato in qualsiasi momento per garantire che l'intera potenza della batteria sia utilizzata per altre utenze
- l'energia fredda immagazzinata venga recuperata automaticamente per preservare la temperatura interna del vano refrigerato una volta esaurita la capacità della batteria.



#### NOTA

Ulteriori informazioni sull'accumulatore di freddo sono disponibili nel capitolo "Utilizzo dell'accumulatore di refrigerante" a pagina 149.

## 6.1 Dispositivo di controllo automatico della batteria

Il gruppo refrigerante è dotato di un dispositivo elettronico per la protezione contro l'inversione di polarità durante il collegamento a una batteria. Per proteggere la batteria, il gruppo refrigerante si spegne automaticamente se la tensione non è sufficiente (vedi la tabella seguente).

### Dispositivi senza controllo TEC

Tensione di allacciamento	Tensione di interruzione	Tensione di riaccensione
12 V	10,4 V	11,7 V
24 V	22,8 V	24,2 V

## Apparecchi con controllo TEC

Tensione di allacciamento	Tensione di interruzione	Tensione di riaccensione
12 V	10,7 V	13,0 V
24 V	22,0 V	26,0 V

# 7 Installazione del gruppo refrigerante



### AVVERTENZA!

L'installazione può essere eseguita esclusivamente da un tecnico qualificato.

## 7.1 Attrezzi necessari

Per l'**installazione e il montaggio** sono necessari i seguenti attrezzi:

- trapano
- cacciavite
- chiave fissa: 16 mm, 19 mm e 21 mm
- mastice e schiuma per montaggio
- cavi, capicorda, fascette serracavi
- olio estere.

## 7.2 Note sul contenitore di raffreddamento

### Contenuto permesso per il vano refrigerato

Assicurarsi di non superare il contenuto massimo del vano refrigerato per il rispettivo tipo di evaporatore (vedi capitolo "Specifiche tecniche" a pagina 153).

### Isolamento minimo

Il contenuto massimo del vano refrigerato è basato su uno spessore minimo dell'isolamento di 35 mm di schiuma di poliuretano con una densità di 40 kg/m<sup>3</sup>. Se vengono impiegati altri materiali isolanti come il polistirolo espanso, raddoppiare lo spessore della parete per raggiungere lo stesso livello di isolamento termico.

## Installazione dell'evaporatore

L'evaporatore deve essere installato nel contenitore di raffreddamento (tranne **CS-NC15**, l'evaporatore è premontato).

Durante l'esecuzione osservare quanto segue:

- posizione di installazione corretta (da fig. **3**, pagina 4 a fig. **9**, pagina 6)
- disposizione nel contenitore di raffreddamento il più in alto possibile
- installare ad almeno 10 mm dalla parete (**non VD-14N e VD-15**).



### AVVISO!

Per i gruppi refrigeranti senza accoppiamenti valvole (unità pronte per l'installazione): Non aprire il circuito di raffreddamento durante l'installazione. Potrebbe essere necessario allargare le aperture nel muro per potervi far passare l'evaporatore (fig. **11**, pagina 6). Oppure, in alternativa, creare un'apertura che permetta di installare i tubi di raffreddamento in alto (fig. **12**, pagina 6).

## Collegamento dell'evaporatore

- ▶ Collegare gli evaporatori **VD-14N e VD-15** secondo fig. **10**, pagina 6.
- ▶ Collegare l'evaporatore **VD-16** secondo fig. **9**, pagina 6.
- ▶ Collegare gli altri evaporatori secondo fig. **19**, pagina 9.

## Legenda delle illustrazioni

N. nella fig. <b>8</b> , pagina 5	Spiegazione
1	Ventola CC
2	Pulsante del termostato
3	Connettore per la ventola CC
4	Termostato
5	Cavo di collegamento

N. nella fig. <b>9</b> , pagina 6	Spiegazione
1	Cavo di collegamento

N. nella fig. <b>10</b> , pagina 6	Spiegazione
1	Cavo di collegamento

N. nella fig. <b>19</b> , pagina 9 e fig. <b>20</b> , pagina 9	Spiegazione
1	Blocco di collegamento
2	Compressore
3	Ventola
4	Interruttore fig. <b>19</b> o controllo TEC fig. <b>20</b>



**AVVISO!**

Isolare e sigillare attentamente le aperture nella parete dopo l'installazione per prevenire la penetrazione di umidità.

**Per i gruppi refrigeranti con accoppiamenti valvole**

- ▶ Praticare un foro con un diametro di almeno 30 mm (fig. **13**, pagina 7) per i tubi di raffreddamento. A tal fine, utilizzare una taglierina circolare.



**AVVISO!**

Non piegare mai la linea di collegamento tra l'evaporatore e l'unità. Il raggio di curvatura minimo è di 25 mm.

**7.3 Installazione del gruppo refrigerante**

È importante scegliere una posizione idonea per installare l'unità. Per assicurare un funzionamento senza problemi, tenere presenti i punti seguenti.

- Installare il gruppo refrigerante in un posto asciutto e coperto. Evitare di posizionarlo vicino a fonti di calore quali radiatori, forni a gas o tubi dell'acqua calda. Non esporlo alla luce del sole diretta.
- Su un'imbarcazione, installare il gruppo refrigerante, se possibile, al di sotto della linea di galleggiamento.
- Il gruppo refrigerante funziona fino a un angolo d'inclinazione di 30°. Installarlo su una superficie piana affinché funzioni anche con la massima inclinazione possibile.
- L'aria riscaldata deve disperdersi senza ostacoli (fig. **14**, pagina 7).

- Quando si installa un gruppo refrigerante in un ambiente chiuso come un armadio, la cambusa o un vano a poppa, le aperture devono avere una sezione di almeno 200 cm<sup>2</sup> (25 cm x 8 cm) per l'aria di raffreddamento e di scarico.
- Assicurarsi che il flusso d'aria sul condensatore (fig. **14** C, pagina 7) non sia limitato.
- Mantenere una distanza minima di 50 mm tra il condensatore e la parete adiacente.
- **CS-NC15**: Osservare la dima di foratura (fig. **21**, pagina 11) e il disegno di installazione (fig. **22**, pagina 12).

## 7.4 Installazione del regolatore di temperatura esterno

### Termostato meccanico

Il regolatore di temperatura può essere montato all'esterno o all'interno del contenitore di raffreddamento. La temperatura interna viene regolata in base alla temperatura superficiale dell'evaporatore o, **per VD-14N e VD-15**, in base alla temperatura ambiente.

- ▶ Collegare l'estremità a spirale del cavo del sensore all'evaporatore (fig. **15**, pagina 8, **non VD-14N, VD-15**) utilizzando la piastra di fissaggio. Questa è pre-montata su **VD-14N, VD-15**.
- ▶ Assicurarsi che il cavo del sensore non faccia contatto in nessun altro punto con l'evaporatore o con la linea di aspirazione.

### Controllo TEC

Il controllo TEC deve essere montato all'esterno del contenitore di raffreddamento. La temperatura interna è regolata in base alla temperatura superficiale dell'evaporatore.

Il sensore di temperatura è stato montato in fabbrica sull'accumulatore.

- ▶ Collegare il sensore di temperatura con il controllo TEC tramite il raccordo a innesto.

## Montaggio dei raccordi unidirezionali (non CS-NC15)



### AVVISO!

Il collegamento dei raccordi unidirezionali può essere effettuato solo da persone esperte e competenti nel campo della tecnologia di refrigerazione. Si devono osservare le norme generali per la manipolazione dei refrigeranti!

I raccordi unidirezionali sono adatti per collegare i gruppi refrigeranti solo una volta. La riapertura o il collegamento improprio dei raccordi provoca una perdita completa del refrigerante e il guasto del gruppo refrigerante!

In questi casi, le due parti del gruppo refrigerante collegate in precedenza devono essere smontate e spedite. In fabbrica, i raccordi unidirezionali vengono sostituiti e il prodotto viene riempito di nuovo di refrigerante.

I due componenti del gruppo refrigerante - l'evaporatore e il gruppo compressore-condensatore - sono forniti separatamente. I componenti sono collegati con raccordi unidirezionali. La quantità di refrigerante necessaria per far funzionare l'intero gruppo refrigerante è già contenuta nei due componenti. Un successivo riempimento con il refrigerante non è quindi necessario.

- ▶ Montare il gruppo compressore-condensatore e l'unità evaporatore.
- ▶ Rimuovere i cappucci di protezione e i tappi dai semigiunti non collegati del raccordo unidirezionale del gruppo compressore-condensatore e dell'unità evaporatore.
- ▶ Pulire accuratamente la sede del giunto e la superficie filettata per evitare che sporcizia o materiale estraneo entrino nel sistema.



### AVVISO! Rischio di perdita di refrigerante

- Usare sempre due chiavi per serrare i raccordi unidirezionali per evitare che i tubi si attorciglino!
- Non è consentito riutilizzare i raccordi unidirezionali!
- Determinare quale dei due raccordi unidirezionali è più difficile da raggiungere con la chiave e collegarlo per primo.
- Collegare sempre prima un solo raccordo unidirezionale e poi il secondo.



**NOTA**

L'O-ring è solo una guarnizione provvisoria durante il collegamento iniziale dei raccordi unidirezionali. Questo O-ring serve solo per la tenuta iniziale tra la foratura della membrana e la tenuta metallica finale. Una tenuta senza perdite si ottiene solo con una connessione metallica tra i due semigiunti.

- ▶ Applicare olio refrigerante alle filettature interne ed esterne e ai mandrini interni (fig. **16**, pagina 8).
- ▶ Collegare i due semigiunti e avvitarli inizialmente a mano (fig. **17**, pagina 8). Non usare una chiave!

**Raccordo unidirezionale con dado di raccordo:**

- ▶ Avvitare il semigiunto con il dado di raccordo con una chiave da 21 mm e una chiave da 19 mm fino alla fine della filettatura o finché non si avverte una notevole resistenza. Non serrare ancora il collegamento a vite.

La chiave da 19 mm serve come guida quando si avvita il dado di raccordo.

**Collegamento del raccordo unidirezionale con filettatura esterna:**

- ▶ Avvitare il semigiunto con il dado di raccordo con una chiave da 21 mm e una chiave da 16 mm fino alla fine della filettatura o finché non si avverte una notevole resistenza. Non serrare ancora il collegamento a vite.

La chiave da 16 mm serve per bloccare quando si avvita il dado di raccordo.

- ▶ Con una matita tracciare una linea nel senso della lunghezza dal dado di raccordo alla staffa del semigiunto opposto.
- ▶ Ora stringere saldamente il dado di raccordo con una coppia di 30 Nm o un altro 1/4 di giro. Lo scostamento della linea mostra quanto forte è stato serrato il raccordo unidirezionale.

Quest'ultimo giro è necessario per garantire un collegamento senza perdite tra i semigiunti.

**NOTA**

La distanza tra l'inizio del dado di raccordo e l'esagono della filettatura esterna non deve superare i 3 mm (fig. **17**, pagina 8).

- ▶ Eseguire una prova di tenuta sui raccordi. Questo assicura che i raccordi unidirezionali siano collegati correttamente e che la tenuta sia funzionale.

## 7.5 Collegamento del gruppo refrigerante

### Collegamento a una batteria

Il gruppo refrigerante può essere allacciato a una tensione continua da 12 V o 24 V.



#### AVVISO!

Per evitare perdite di tensione e pertanto un calo delle prestazioni, il cavo deve essere tenuto più corto possibile e non deve essere interrotto.

Per questo motivo evitare interruttori, spine o prese multiple supplementari.

- Determinare la sezione del cavo necessaria in funzione della sua lunghezza, come da fig. **18**, pagina 8.

Legenda per fig. **18**, pagina 8

Asse delle coordinate	Significato	Unità
l	Lunghezza del cavo	m
∅	Sezione del cavo	mm <sup>2</sup>



#### AVVISO!

Rispettare la giusta polarità.

- Prima di avviare l'unità per la prima volta controllare che la tensione di esercizio e quella della batteria corrispondano (vedi targhetta).
- Collegare il gruppo refrigerante
  - il più direttamente possibile al polo della batteria oppure
  - a una presa con una protezione minima di 15 A (con 12 V) o 7,5 A (con 24 V).



#### AVVISO!

Staccare il gruppo refrigerante e le altre utenze elettriche dalla batteria prima di collegare la batteria a un caricabatterie rapido. Le sovratensioni possono danneggiare il sistema elettronico dell'apparecchio.

Per motivi di sicurezza, il gruppo refrigerante è dotato di un sistema elettronico che lo protegge contro l'inversione di polarità. In questo modo il gruppo refrigerante è protetto durante il collegamento a una batteria.

## Collegamento a un'alimentazione 230 V



### AVVERTENZA!

- Non toccare mai spine e interruttori con le mani bagnate o se si sta con i piedi su una superficie bagnata.
- Se si aziona il gruppo refrigerante a bordo di un'imbarcazione mediante un collegamento a terra da 230 V, è necessario inserire un interruttore differenziale di protezione fra la rete di alimentazione 230 V e il gruppo refrigerante.  
Farsi consigliare da un esperto.

- ▶ Per utilizzare il gruppo refrigerante con un'alimentazione 230 V, utilizzare il raddrizzatore
  - CoolPower EPS100 per gli apparecchi con compressore BD 35F (50/80/CS/serie CS),
  - CoolPower MPS35 per gli apparecchi con compressore BD 35F (50/80/CS/serie CS),
  - CoolPower MPS50 per gli apparecchi con compressore BD 50F (serie 90).



### NOTA

La tensione di uscita del raddrizzatore indicato è 24 V. Tenerlo a mente quando successivamente si collegheranno altre utenze.

## 8 Utilizzo del gruppo refrigerante

### 8.1 Suggerimenti per risparmiare energia

- Scegliere un luogo di installazione ben aerato e al riparo dalla luce solare diretta.
- Prima di inserire alimenti caldi nell'apparecchio, lasciarli raffreddare.
- Non aprire il frigo container più spesso del necessario.
- Non lasciare la porta aperta più del necessario.
- Sbrinare il frigorifero se si forma uno strato di ghiaccio.
- Evitare temperature inutilmente basse.
- Pulire il condensatore dalla polvere e dalla sporcizia a intervalli regolari.
- Pulire la guarnizione del coperchio regolarmente.

## 8.2 Avvio del gruppo refrigerante

### Dispositivi senza controllo TEC

- ▶ Per accendere il gruppo refrigerante ruotare il pulsante di comando in senso orario (fig. **1** A1 o B1, pagina 3).

Ruotando ulteriormente il pulsante di comando è possibile regolare la temperatura. Gli apparecchi con funzione di accumulo di energia offrono un pulsante di attivazione dell'accumulo (fig. **1** A2, pagina 3).



#### NOTA

Se il LED rosso lampeggia o si accende, si è verificato un guasto e il sistema non può essere azionato (vedi tabella degli errori nel capitolo "LED sull'elemento termico (fig. **1** 2, pagina 3)" a pagina 151).

### Apparecchi con controllo TEC

Gli apparecchi con controllo TEC vengono avviati azionando l'interruttore principale (fig. **2** 6, pagina 3). È quindi possibile regolare la temperatura (fig. **2** 5, pagina 3) con il selettore di temperatura.

## 8.3 Spegnimento del gruppo refrigerante

Nel caso in cui il gruppo refrigerante non venga utilizzato per un periodo di tempo prolungato, procedere come segue.

- ▶ **Dispositivi senza controllo TEC:** Ruotare il comando su 0.
- ▶ **Apparecchi con controllo TEC:** Spegnerne l'apparecchio con l'interruttore principale (fig. **2** 6, pagina 3).
- ▶ Staccare il cavo di allacciamento della batteria oppure estrarre la spina del cavo CC dal raddrizzatore.
- ▶ Pulire il gruppo refrigerante.
- ▶ Lasciare la porta leggermente aperta sopra il coperchio per prevenire la formazione di odori.

## 9 Utilizzo dell'accumulatore di refrigerante

### 9.1 Elementi di visualizzazione e comando degli apparecchi con controllo del programma TEC

N. nella fig. 2, pagina 3	Spiegazione
1	LED verde: indica che il compressore è in funzione.
2	LED giallo: indica la presenza dell'alimentazione esterna (tensione superiore a 13,5 V o 27,0 V). Il LED lampeggia se l'alimentazione esterna è troppo bassa (tensione $\leq 10,7$ V o 21,7 V. Versione E: $\leq 10,7$ V o 22,0 V).
3	LED rosso: indica che l'accumulatore si sta scaricando perché <ul style="list-style-type: none"> <li>• è stato premuto il pulsante di scarica</li> <li>• spegnimento per bassa tensione (tensione <math>\leq 10,7</math> V o 21,4 V. Versione E: <math>\leq 10,7</math> V o 22,0 V).</li> </ul>
4	Pulsante di scarico dell'accumulatore: interrompe il funzionamento del compressore finché <ul style="list-style-type: none"> <li>• l'energia fredda accumulata non è esaurita</li> <li>• Il livello di tensione di alimentazione esterna non viene ripristinato dopo la bassa tensione.</li> </ul>
5	Selettore di temperatura: permette di impostare la temperatura nel vano refrigerato come richiesto min. (arresto sinistro) = temperatura regolata al massimo max. (arresto destro) = temperatura regolata al minimo.
6	Interruttore principale: per accendere e spegnere il gruppo refrigerante. Posizione 0 = OFF Posizione - = ON

### 9.2 Funzione di accumulo

La funzione di accumulo assicura che l'energia fredda venga immagazzinata automaticamente (fino a 8 ore) se è disponibile abbastanza energia elettrica, per esempio quando viene fornita da un adattatore di rete.

La potenza di raffreddamento accumulata viene scaricata

- automaticamente al raggiungimento della tensione di spegnimento (vedi tabella a pagina 139)
- o manualmente premendo il pulsante di scarico (fig. **1** A2 o fig. **2** 4, pagina 3).

**NOTA**

L'accumulatore del freddo può essere scaricato manualmente solo se prima è stato completamente caricato.

L'accumulatore viene caricato automaticamente se

- viene superata la tensione di riavvio
- o se l'accumulatore è vuoto e si spegne e riaccende l'apparecchio con il pulsante di comando (fig. **2** 6, pagina 3, funziona solo su VD-06).

**AVVISO!**

Quando si scarica l'accumulatore, anche se c'è un'alimentazione esterna – ad esempio per evitare il rumore di funzionamento del compressore – spegnere l'apparecchio con l'interruttore principale (fig. **1** B1 o fig. **2** 6, pagina 3).

**NOTA**

Ricordare: bassa temperatura interna = alto consumo di corrente!

## 10 Garanzia

Vale il termine di garanzia previsto dalla legge. Qualora il prodotto risultasse difettoso, La preghiamo di rivolgersi alla filiale del produttore del suo Paese (vedi [dometic.com/dealer](http://dometic.com/dealer)), oppure al rivenditore specializzato di riferimento.

Per la riparazione e per il disbrigo delle condizioni di garanzia è necessario inviare la seguente documentazione:

- una copia della fattura con la data di acquisto del prodotto,
- un motivo su cui fondare il reclamo, oppure una descrizione del guasto.

## 11 Smaltimento

- ▶ Raccogliere il materiale di imballaggio possibilmente negli appositi contenitori di riciclaggio.



Quando il prodotto viene messo fuori servizio definitivamente, informarsi al centro di riciclaggio più vicino, oppure presso il proprio rivenditore specializzato, sulle prescrizioni adeguate concernenti lo smaltimento.

## 12 Eliminazione dei guasti

### LED sull'elemento termico (fig. 1 2, pagina 3)

Numero di lampeggi	Tipo di errore	Soluzione
1	Spegnimento per protezione della batteria	Controllare la tensione della batteria, il fusibile e la sezione del cavo
2	Spegnimento per sovratensione della ventola	Controllare la corrente del condensatore e della ventola dell'evaporatore: valore nominale totale < 0,5 A
3	Guasto all'avvio del compressore	Ridurre il carico sul sistema di raffreddamento: <ul style="list-style-type: none"> <li>• assicurare una buona ventilazione intorno al gruppo refrigerante</li> <li>• conservare merce pre-raffreddata</li> </ul>
4	Spegnimento per sovraccarico del compressore	Ridurre il carico sul sistema di raffreddamento: <ul style="list-style-type: none"> <li>• assicurare una buona ventilazione intorno al gruppo refrigerante</li> <li>• conservare merce pre-raffreddata</li> </ul>
5	Spegnimento a causa del fusibile elettrico	Ridurre il carico sul sistema di raffreddamento: <ul style="list-style-type: none"> <li>• assicurare una buona ventilazione intorno al gruppo refrigerante</li> </ul>

### Il compressore non gira

Guasto	Possibile causa	Soluzione
$U_T = 0V$	Il collegamento tra la batteria e l'elettronica è interrotto	Stabilire un collegamento
	Interruttore principale guasto (se disponibile)	Sostituire l'interruttore principale
	Fusibile supplementare della linea di alimentazione bruciato (se installato)	Sostituire il fusibile

<b>Guasto</b>	<b>Possibile causa</b>	<b>Soluzione</b>
$U_T \leq U_{ON}$	Tensione della batteria insufficiente	Caricare la batteria
Tentativo di avviamento con $U_T \leq U_{OFF}$	Collegamento cavi allentato Cattivo contatto (corrosione)	Stabilire un collegamento
	Capacità della batteria insufficiente	Sostituire la batteria
	Sezione cavo insufficiente	Sostituire il cavo (fig. 18, pagina 8)
Tentativo di avviamento con $U_T \geq U_{ON}$	Temperatura ambiente troppo alta	–
	Ventilazione e/o raffreddamento insufficienti	Garantire una migliore ventilazione al gruppo refrigerante
	Condensatore sporco	Pulire il condensatore
	Ventola difettosa (se disponibile)	Sostituire la ventola

$U_T$  Tensione fra i morsetti positivo e negativo

$U_{ON}$  Tensione di accensione del sistema elettronico

$U_{OFF}$  Tensione di interruzione del sistema elettronico

### Temperatura interna troppo fredda con l'impostazione 1

<b>Guasto</b>	<b>Possibile causa</b>	<b>Soluzione</b>
Il compressore gira ininterrottamente	Il sensore del termostato non è in contatto con l'evaporatore	Fissare il sensore
	Termostato guasto	Sostituire il termostato
Il compressore gira da molto tempo	Nel freezer è stata congelata una quantità eccessiva di alimenti	–



**La capacità di raffreddamento cala, la temperatura interna aumenta**

<b>Guasto</b>	<b>Possibile causa</b>	<b>Soluzione</b>
Il compressore gira da molto tempo/ininterrottamente	L'evaporatore è ghiacciato	Sbrinare l'evaporatore
	Temperatura ambiente troppo alta	–
	Ventilazione e/o raffreddamento insufficienti	Garantire una migliore ventilazione al gruppo refrigerante
	Condensatore sporco	Pulire il condensatore
Il compressore gira raramente	Ventola difettosa (se disponibile)	Sostituire la ventola
	Capacità della batteria esaurita	Caricare la batteria

**Rumori insoliti**

<b>Guasto</b>	<b>Possibile causa</b>	<b>Soluzione</b>
Forte ronzio	Un componente del circuito di raffreddamento non può muoversi liberamente (è contro la parete)	Allontanare con cautela il componente dall'ostruzione
	Corpo estraneo incastrato tra il gruppo refrigerante e la parete	Eliminare il corpo estraneo
	Rumore della ventola (se disponibile)	Pulire le pale della ventola

**13 Specifiche tecniche**

	<b>50</b>	<b>54</b>	<b>55</b>
Contenuto max. del vano refrigerato:	80 litri	130 litri	
Tensione di allacciamento:	12 V <sub>===</sub> o 24 V <sub>===</sub>		
Potenza assorbita:	35 – 40 W, a seconda del tipo di evaporatore		
Quantità di refrigerante:	28 g	35 g	
Equivalente CO <sub>2</sub> :	0,040 t	0,050 t	
Potenziale di riscaldamento globale (GWP):	1430		

	<b>50</b>	<b>54</b>	<b>55</b>
Dimensioni (L x A x P) in mm:	315 x 140 x 170	386x155x130	220x160x220
Peso:	3,74 kg	6,0 kg	6,5 kg

	<b>84</b>	<b>85</b>	<b>86</b>
Contenuto max. del vano refrigerato:	250 litri		
Tensione di allacciamento:	12 V <sub>~</sub> o 24 V <sub>~</sub>		
Quantità di refrigerante:	45 g		
Equivalente CO2:	0,064 t		
Potenziale di riscaldamento globale (GWP):	1430		
Dimensioni (L x A x P) in mm:	386x155x130	220x155x220	220x230x177
Peso:	6,0 kg	6,0 kg	6,5 kg

	<b>94</b>	<b>95</b>	<b>96</b>
Contenuto max. del vano refrigerato:	400 litri		
Tensione di allacciamento:	12 V <sub>~</sub> o 24 V <sub>~</sub>		
Quantità di refrigerante:	60 g		
Equivalente CO2:	0,086 t		
Potenziale di riscaldamento globale (GWP):	1430		
Dimensioni (L x A x P) in mm:	386x155x130	220x155x220	220x230x177
Peso:	6,0 kg	6,0 kg	6,5 kg

	<b>CS-NC15</b>
Contenuto max. del vano refrigerato:	250 litri
Tensione di allacciamento:	12 V <sub>~</sub> o 24 V <sub>~</sub>

	<b>CS-NC15</b>
Quantità di refrigerante:	60 g
Equivalente CO2:	0,086 t
Potenziale di riscaldamento globale (GWP):	1430
Dimensioni (L x A x P) in mm:	360x255x275
Peso:	8,5 kg

	<b>VD-01</b>	<b>VD-02</b>	<b>VD-03</b>	<b>VD-04</b>
Contenuto max. del vano refrigerato con 35 mm di isolamento in PU:	80 litri	30 litri	170 litri	130 litri
Contenuto max. del vano refrigerato con 50 mm di isolamento in PU:	100 litri	50 litri	200 litri	170 litri
Potenza assorbita:	35 W	35 W	50 W	45 W
Tensione	12 V <sub>DC</sub> o 24 V <sub>DC</sub>			
Quantità di refrigerante:	17 g		20 g	30 g
Equivalente CO2:	0,024 t		0,029 t	0,043 t
Potenziale di riscaldamento globale (GWP):	1430			
Dimensioni (L x A x P) in mm:	300x245x110	275x215x25	380x230x82	375x255x100
Peso:	1,5 kg	1,0 kg	2,0 kg	1,5 kg

	<b>CU-50 + VD-01</b>	<b>CU-50 + VD-02</b>	<b>CU-50 + VD-07</b>
Contenuto max. del vano refrigerato con 35 mm di isolamento in PU:	50 litri	30 litri	60 litri
Contenuto max. del vano refrigerato con 50 mm di isolamento in PU:	75 litri	50 litri	80 litri

	<b>CU-50 + VD-01</b>	<b>CU-50 + VD-02</b>	<b>CU-50 + VD-07</b>	
Potenza assorbita:	30 W			
Temperatura:	ambiente: 32 °C, interna: 5 °C			
	<b>VD-05</b>	<b>VD-07</b>	<b>VD-08</b>	<b>VD-09</b>
Contenuto max. del vano refrigerato con 35 mm di isolamento in PU:	130 litri	100 litri	160 litri	160 litri
Contenuto max. del vano refrigerato con 50 mm di isolamento in PU:	170 litri	130 litri	180 litri	180 litri
Potenza assorbita:	45 W	35 W	60 W	60 W
Tensione	12 V $\overline{=}$ o 24 V $\overline{=}$			
Quantità di refrigerante:	30 g	45 g	15 g	65 g
Equivalente CO2:	0,043 t	0,064 t	0,021 t	0,093 t
Potenziale di riscaldamento globale (GWP):	1430			
Dimensioni (L x A x P) in mm:	375x350x25	255x210x90	450x270x340	365x140x270
Peso:	1,5 kg	1,5 kg	2,0 kg	2,0 kg
	<b>VD-14N</b>	<b>VD-15</b>	<b>VD-18</b>	
Contenuto max. del vano refrigerato con 35 mm di isolamento in PU:	300 litri	200 litri	100 litri	
Contenuto max. del vano refrigerato con 50 mm di isolamento in PU:	400 litri	250 litri	150 litri	
Potenza assorbita:	80 W	60 W	45 W	
Tensione	12 V $\overline{=}$ o 24 V $\overline{=}$			
Quantità di refrigerante:	15 g			
Equivalente CO2:	0,021 t			

	<b>VD-14N</b>	<b>VD-15</b>	<b>VD-18</b>
Potenziale di riscaldamento globale (GWP):	1430		
Dimensioni (L x A x P) in mm:	220x275x65	220x275x65	350x250x25
Peso:	2,5 kg	1,5 kg	1,5 kg
	<b>VD-16</b>	<b>VD-21</b>	
Contenuto max. del vano refrigerato con 60 mm di isolamento in PU:	130 litri	250 litri	
Contenuto max. del vano refrigerato con 100 mm di isolamento in PU:	200 litri	300 litri	
Potenza assorbita:	60 W	60 W	
Tensione	12 V <sup>---</sup> o 24 V <sup>---</sup>		
Quantità di refrigerante:	40 g	10 g	
Equivalente CO <sub>2</sub> :	0,057 t	0,014 t	
Potenziale di riscaldamento globale (GWP):	1430		
Dimensioni (L x A x P) in mm:	330x260x130	1370x305x10	
Peso:	2,5 kg	4,0 kg	
	<b>VD-16 per la serie 80</b>	<b>VD-16 per la serie 90</b>	
Contenuto max. del vano refrigerato con 35 mm di isolamento in PU:	120 litri	200 litri	
Contenuto max. del vano refrigerato con 50 mm di isolamento in PU:	200 litri	250 litri	
Potenza assorbita:	65 W	80 W	
Tensione	12 V <sup>---</sup> o 24 V <sup>---</sup>		

	<b>VD-16 per la serie 80</b>	<b>VD-16 per la serie 90</b>
Quantità di refrigerante:	40 g	
Equivalente CO2:	0,057 t	
Potenziale di riscaldamento globale (GWP):	1430	
Dimensioni (L x A x P) in mm:	380x300x62	
Peso:	5,0 kg	

**Certificati di controllo:**

Il circuito di raffreddamento contiene R-134a.

Contiene gas fluorurati a effetto serra

Lees alle instructies, richtlijnen en waarschuwingen in deze gebruiksaanwijzing en volg ze zorgvuldig op om ervoor te zorgen dat u het product te allen tijde op de juiste manier installeert, gebruikt en onderhoudt. Deze instructies MOETEN bij dit product bewaard worden.

Door het product te gebruiken, bevestigt u hierbij dat u alle instructies, richtlijnen en waarschuwingen zorgvuldig hebt gelezen en dat u de voorwaarden en condities zoals die hierin zijn beschreven begrijpt en accepteert. U gaat ermee akkoord dit product alleen te gebruiken voor het beoogde doel en de beoogde toepassing en in overeenstemming met de instructies, richtlijnen en waarschuwingen zoals beschreven in deze gebruiksaanwijzing en in overeenstemming met de geldende wet- en regelgeving. Het niet lezen en opvolgen van de hierin beschreven instructies en waarschuwingen kan leiden tot letsel voor uzelf en anderen, schade aan uw product of schade aan andere eigendommen in de omgeving. Deze gebruiksaanwijzing, met inbegrip van de instructies, richtlijnen en waarschuwingen, en de bijbehorende documentatie kan onderhevig zijn aan wijzigingen en updates. Actuele productinformatie vindt u op [dometic.com](http://dometic.com).

## Inhoudsopgave

1	Verklaring van de symbolen . . . . .	159
2	Veiligheidsaanwijzingen . . . . .	160
3	Omvang van de levering . . . . .	162
4	Accessoires . . . . .	162
5	Beoogd gebruik . . . . .	162
6	Technische beschrijving . . . . .	163
7	Het koelaggregaat monteren . . . . .	164
8	Het koelaggregaat gebruiken . . . . .	172
9	De koelmiddelaccumulator gebruiken . . . . .	173
10	Garantie . . . . .	174
11	Afvoer . . . . .	175
12	Verhelpen van storingen . . . . .	175
13	Technische gegevens . . . . .	177

## 1 Verklaring van de symbolen



### **GEVAAR!**

**Veiligheidsaanwijzing** met betrekking tot een gevaarlijke situatie die leidt tot ernstig letsel of de dood, als deze niet wordt vermeden.



### **WAARSCHUWING!**

**Veiligheidsaanwijzing** met betrekking tot een gevaarlijke situatie die kan leiden tot ernstig letsel of de dood, als deze niet wordt vermeden.

**VOORZICHTIG!**

**Veiligheidsaanwijzing** met betrekking tot een gevaarlijke situatie die kan leiden tot licht of gemiddeld letsel, als deze niet wordt vermeden.

**LET OP!**

Aanwijzing met betrekking tot een situatie die kan leiden tot materiële schade, als deze niet wordt vermeden.

**INSTRUCTIE**

Meer informatie over de bediening van het product.

## 2 Veiligheidsaanwijzingen

### 2.1 Algemene veiligheid

**GEVAAR!**

- **Gevaar voor dodelijk letsel!**

**Bij gebruik van het toestel op boten:** als het toestel wordt gevoed door het stroomnet, zorg er dan voor dat de stroomvoorziening een aardlekschakelaar heeft!

**WAARSCHUWING!**

- Dit toestel mag uitsluitend worden geïnstalleerd en gerepareerd door gekwalificeerde technici. Ondeugdelijke reparaties kunnen aanzienlijke gevaren tot gevolg hebben.  
Neem contact op met de klantenservice indien uw toestel moet worden gerepareerd.
- Gebruik het toestel niet als het zichtbaar beschadigd is.
- Open in geen geval de koelkring. Dit is uitsluitend toegestaan als het toestel moet worden ontkoppeld voor retournering (hoofdstuk „De externe temperatuurregelaar monteren” op pagina 167).
- Stel het toestel op een droge en tegen spatwater beschermde plaats op.
- Plaats het toestel niet in de buurt van open vuur of andere warmtebronnen (verwarming, direct zonlicht, gasovens etc.).
- Zorg ervoor dat de compressor voldoende geventileerd is.
- **Elektrische toestellen zijn geen speelgoed!**  
Bewaar en gebruik het toestel buiten het bereik van kinderen.



- Personen (ook kinderen) die door hun fysiek, zintuiglijk of geestelijk vermogen of door hun gebrek aan kennis en ervaring niet in staat zijn om het product veilig te gebruiken, mogen dit niet zonder toezicht of instructie door een verantwoordelijke persoon doen.
- Controleer voor de eerste inbedrijfstelling of de bedrijfsspanning en de accuspanning overeenkomen (zie typeplaatje).
- Als de aansluitkabel is beschadigd, moet deze worden vervangen om mogelijke elektrische gevaren te voorkomen. Vervang een beschadigde aansluitkabel uitsluitend door een aansluitkabel van hetzelfde type en met dezelfde specificaties.
- Bewaar geen explosiegevaarlijke stoffen zoals spuitbussen met drijfgas in het toestel.

## 2.2 Veiligheid bij het gebruik van het toestel



### **GEVAAR! Gevaar voor dodelijk letsel!**

- Raak blanke leidingen nooit met blote handen aan. Dit geldt vooral bij gebruik van het toestel op het wisselstroomnet.



### **LET OP!**

- Gebruik nooit reinigingsmiddelen die zand, zuren of oplosmiddelen bevatten om de verdamper te reinigen.
- Bescherm het toestel tegen regen en vocht.
- Ontkoppel het koeltoestel en andere verbruikers van de accu alvorens de snellader aan te sluiten.



### **INSTRUCTIE**

- Ontkoppel het toestel, als u het langdurig niet gaat gebruiken.

## 2.3 Veiligheid bij de omgang met accu's



### **VOORZICHTIG! Gevaar voor letsel!**

- Accu's kunnen agressieve en bijtende zuren bevatten. Vermijd elk lichamelijk contact met de accuvloeistof. Indien uw huid in aanraking komt met accuvloeistof, was het desbetreffende lichaamsdeel dan grondig met water.
- Indien u het toestel aansluit op een accu, voorkom dan dat levensmiddelen in aanraking komen met accuzuur.

### 3 Omvang van de levering

Aantal	Beschrijving
1	Koelaggregaat of verdamper
1	Gebruiksaanwijzing

### 4 Accessoires

Als u het koelaggregaat met het 230V-wisselstroomnet wilt gebruiken, gebruik dan één van de volgende gelijkrichters.

Verkrijgbaar als accessoire (niet bij de levering inbegrepen):

Beschrijving	Artikelnummer
Gelijkrichter CoolPower EPS100 Voor toestellen met compressor BD35F (50/80/CS/CS-serie)	9600000440
Gelijkrichter CoolPower MPS35 Voor toestellen met compressor BD35F (50/80/CS/CS-serie)	9600000445
Gelijkrichter CoolPower MPS50 Voor toestellen met compressor BD50F (90-serie)	9600000441

### 5 Beoogd gebruik

Het koelaggregaat is geschikt om uw eigen koelkast of koelbox te bouwen.

Het koelaggregaat is geschikt voor het koelen en invriezen van levensmiddelen. Het toestel is ook geschikt voor gebruik op boten.

Dit product is alleen geschikt voor het beoogde gebruik en de toepassing in overeenstemming met deze gebruiksaanwijzing.

Deze handleiding geeft informatie die nodig is voor een goede installatie en/of bediening van het product. Een slechte installatie en/of verkeerde bediening of onderhoud leidt tot onbevredigende prestaties en mogelijke storingen.

De fabrikant aanvaardt geen aansprakelijkheid voor letsel of schade aan het product die het gevolg is van:

- Onjuiste montage of aansluiting, inclusief te hoge spanning
- Onjuist onderhoud of gebruik van andere dan door de fabrikant geleverde originele reserveonderdelen

- Wijzigingen van het product zonder uitdrukkelijke toestemming van de fabrikant
- Gebruik voor andere doeleinden dan beschreven in deze handleiding

Dometic behoudt zich het recht voor om het uiterlijk en de specificaties van het product te wijzigen.

## 6 Technische beschrijving

De koelaggregaten zijn geschikt voor gebruik met 12V- of 24V-gelijkspanning en kunnen dus worden gebruikt tijdens het kamperen of op boten. Verder kunt u ze aansluiten op een 230V-stroomnet via de gelijkrichters (zie hoofdstuk „Accessoires“ op pagina 162).

Bij gebruik op boten is het koelaggregaat bestand tegen een constante helling van 30°.

Het koelaggregaat moet samen met een verdampers worden gebruikt. Daarnaast kunt u een accumulator met of zonder TEC-regelaar gebruiken. De **CS-NC15** bestaat uit een koelaggregaat en een verdampers.

Gebruik de continu variabele thermostaat om de verdampers op de gewenste temperatuur in te stellen.

De accumulator en TEC-programmaregelaar zorgen voor een hoge koelcapaciteit en verbeteren de efficiëntie van het aggregaat. De accumulator wordt opgeladen als er voldoende spanning is (bijvoorbeeld bij voeding door een netadapter). In geval van gebruik van de accumulator of onderspanning wordt het koelmiddel uit de accumulator getrokken totdat deze leeg is. Gedurende deze tijd wordt er dus geen stroom van de accu gebruikt.

De TEC-programmaregeling zorgt er altijd voor dat

- de koelenergie wordt opgeslagen als er overtollige elektrische energie is (externe voeding door een generator).
- de koelmiddelaccumulator te allen tijde kan worden gebruikt om ervoor te zorgen dat de volledige accuspanning beschikbaar is voor andere verbruikers.
- de opgeslagen koelenergie automatisch wordt teruggewonnen om de interne koeltemperatuur van het koelbereik te behouden zodra de accucapaciteit is uitgeput.



### INSTRUCTIE

Meer informatie over de koelmiddelaccumulator is te vinden in hoofdstuk „De koelmiddelaccumulator gebruiken“ op pagina 173.

## 6.1 Accubewaker

Het koeltoestel is uitgerust met een elektronisch toestel dat beschermt tegen omgekeerde polariteit bij aansluiting op een accu. Ter bescherming van de accu schakelt het koeltoestel automatisch uit, als de spanning niet meer voldoende is (zie volgende tabel).

### Toestellen zonder TEC-regelaar

Aansluitspanning	Uitschakelspanning	Herstartspanning
12 V	10,4 V	11,7 V
24 V	22,8 V	24,2 V

### Toestellen met TEC-regelaar

Aansluitspanning	Uitschakelspanning	Herstartspanning
12 V	10,7 V	13,0 V
24 V	22,0 V	26,0 V

# 7 Het koelaggregaat monteren



### WAARSCHUWING!

De montage mag uitsluitend worden uitgevoerd door een gekwalificeerde technicus.

## 7.1 Benodigd gereedschap

Voor **inbouw en montage** heeft u de volgende gereedschappen nodig:

- Boormachine
- Schroevendraaier
- Steeksleutel: 16 mm, 19 mm en 21 mm
- Afdichtingsmiddel en montageschuim
- Kabels, kabelschoenen en kabelklemmen
- Esterolie

## 7.2 Opmerkingen over de koelcontainer

### Toegestane inhoud koelbereik

Zorg ervoor dat de maximuminhoud van het koelbereik niet groter is dan de specificaties voor het desbetreffende verdampertype (zie hoofdstuk „Technische gegevens“ op pagina 177).

### Minimum isolatie

De maximum inhoud van het koelbereik is gebaseerd op een minimum isolatiedikte van 35 mm schuim met een dichtheid van 40 kg/m<sup>3</sup>. Indien andere isolatiematerialen zoals styrofoam worden gebruikt, moet de wanddikte worden verdubbeld om hetzelfde isolatieniveau te bereiken.

### De verdamper monteren

De verdamper moet in de koelcontainer worden gemonteerd (behalve **CS-NC15**, hier is de verdamper voorgemonteerd).

Neem bij het proces het volgende in acht:

- Correcte montagepositie (afb. **3**, pagina 4 tot en met afb. **9**, pagina 6)
- Plaatsing in de koelcontainer zo ver mogelijk naar de bovenzijde
- Montage ten minste 10 mm van de wand (**niet VD-14N en VD-15**).



#### LET OP!

Voor koelaggregaten zonder klepkoppelingen (aansluitklare aggregaten): Open in geen geval de koelkring tijdens de montage. U moet de openingen in de wand eventueel groter maken om de verdamper erdoorheen te kunnen schuiven (afb. **11**, pagina 6). U kunt ook een opening maken die het mogelijk maakt de koelleidingen aan de bovenzijde te monteren (afb. **12**, pagina 6).

### De verdamper aansluiten

- Sluit de verdampers **VD-14N en VD-15** aan in overeenstemming met afb. **10**, pagina 6.
- Sluit de verdamper **VD-16** aan in overeenstemming met afb. **9**, pagina 6.
- Sluit de overige verdampers aan in overeenstemming met afb. **19**, pagina 9.

### Legenda bij de afbeeldingen

Nr. in afb. <b>8</b> , pagina 5	Toelichting
1	Gelijkstroomventilator
2	Thermostaatknop
3	Aansluiting voor gelijkstroomventilator
4	Thermostaat
5	Aansluitkabel

Nr. in afb. <b>9</b> , pagina 6	Toelichting
1	Aansluitkabel

Nr. in afb. <b>10</b> , pagina 6	Toelichting
1	Aansluitkabel

Nr. in afb. <b>19</b> , pagina 9 en afb. <b>20</b> , pagina 9	Toelichting
1	Verbindingsblok
2	Compressor
3	Ventilator
4	Schakelaar afb. <b>19</b> of TEC-regelaar afb. <b>20</b>



#### LET OP!

Isoleer de wandopeningen en dicht deze na de montage zorgvuldig af om te voorkomen dat er vocht binnendringt.

### Voor koelaggregaten met klepkoppelingen

- Snijd een gat uit met een diameter van ten minste 30 mm (afb. **13**, pagina 7) voor de koelleidingen. Gebruik hiervoor een gatenzaag.

**LET OP!**

Buig de aansluitleiding tussen de verdampers en het aggregaat nooit. De minimale buigradius is 25 mm.

### 7.3 Het koelaggregaat monteren

Het is belangrijk om de juiste locatie voor de eenheid te kiezen. Om storingsvrij gebruik te garanderen, het volgende in acht nemen:

- Plaats het koelaggregaat op een droge, beschermde plaats. Blijf uit de buurt van warmtebronnen als radiators, gaskachels of warmwaterbuizen. Plaats het toestel niet in direct zonlicht.
- Monteer het koelaggregaat op boten, indien mogelijk, onder de waterlijn.
- Het koelaggregaat functioneert bij een helling van tot 30°. Installeer het op een effen ondergrond zodat het ook bij een sterke helling nog werkt.
- De verwarmde lucht moet ongehinderd kunnen vervliegen (afb. **14**, pagina 7).
- Bij installatie van het koelaggregaat in een gesloten ruimte, zoals een kast, bijkeuken of achterdek, moeten openingen voor koeling en ventilatie een dwarsdoorsnede hebben van minstens 200 cm<sup>2</sup> (25 cm x 8 cm).
- Zorg ervoor dat de luchtstroom in de condensor (afb. **14** C, pagina 7) niet gehinderd is.
- Handhaaf een minimumafstand tussen de condensor en de aangrenzende muur van 50 mm.
- **CS-NC15:** Neem de boorsjabloon (afb. **21**, pagina 11) en de montagetekening (afb. **22**, pagina 12) in acht.

### 7.4 De externe temperatuurregelaar monteren

#### Mechanische thermostaat

De temperatuurregelaar kan ofwel aan de buitenzijde ofwel aan de binnenzijde van de koelcontainer worden gemonteerd. De binnentemperatuur wordt gereguleerd afhankelijk van de oppervlaktetemperatuur van de verdampers, of **voor VD-14N en VD-15** afhankelijk van de ruimtetemperatuur.

- Sluit het gewikkelde uiteinde van de sensorkabel aan op de verdampers (afb. **15**, pagina 8, **niet VD-14N, VD-15**) met behulp van de klemplaat. Op **VD-14N en VD-15** is dit voorgegemonteerd.
- Zorg ervoor dat de sensorkabel nergens anders contact maakt met de verdampers of met de aanzuigleiding.

## TEC-regelaar

De TEC-regelaar moet aan de buitenzijde van de koelcontainer worden gemonteerd. De binnentemperatuur wordt gereguleerd afhankelijk van de oppervlakte-temperatuur van de verdamper.

De temperatuursensor is af fabriek op de accumulator gemonteerd.

- Sluit de temperatuursensor aan op de TEC-regelaar via de stekkerverbinding.

## De 1-weg koppelingen monteren (niet CS-NC15)



### LET OP!

Uitsluitend personen met kennis en vaardigheden op het gebied van koeltechniek mogen 1-weg koppelingen aansluiten. De algemene regelgeving voor het gebruik van koelmiddelen moet worden nageleefd!

De 1-weg koppelingen zijn uitsluitend geschikt voor eenmalige aansluiting van de koelaggregaten. Opnieuw openen of onjuist aansluiten van de koppelingen zal volledig verlies van het koelmiddel en storingen van het koelaggregaat tot gevolg hebben!

In dergelijke gevallen moeten de twee eerder aangesloten onderdelen van het koelaggregaat worden gedemonteerd en worden opgestuurd. In de fabriek worden de 1-weg koppelingen vernieuwd en wordt het product opnieuw met koelmiddel gevuld.

De twee componenten van het koelaggregaat – de verdamper en de compressor-condensoreenheid – worden apart geleverd. De componenten worden verbonden door middel van 1-weg koppelingen. De twee componenten zijn reeds gevuld met de vereiste koelmiddelhoeveelheid voor het gebruik van het koelaggregaat. Daarom is een latere vulling met koelmiddel niet nodig.

- Verbind de compressor-condensoreenheid met de verdampereenheid.
- Verwijder de beschermkappen en pluggen van de niet-verbonden helften van de 1-weg koppeling van de compressor-condensoreenheid en de verdampereenheid.
- Reinig de koppelingszitting en het schroefdraadoppervlak om te voorkomen dat vuil of vreemde stoffen het systeem binnendringen.





### **LET OP! Gevaar voor koelmiddellekkage**

- Gebruik altijd twee moersleutels bij het vastdraaien van de 1-weg koppelingen om te voorkomen dat de leidingen verdraaien!
- Hergebruik van de 1-weg koppelingen is niet toegestaan!
- Bepaal welke van de twee 1-weg koppelingsverbindingen moeilijker toegankelijk is met de moersleutel en sluit deze als eerste aan.
- Sluit altijd eerst één 1-weg koppelingsverbinding aan en daarna de tweede.



### **INSTRUCTIE**

De O-ring is slechts een tijdelijke afdichting tijdens de eerste aansluiting van de 1-weg koppelingen. Deze O-ring wordt alleen gebruikt voor de aanvankelijke afdichting tussen het openen van het diafragma en de uiteindelijke metaalafdichting. Een lekvrije afdichting wordt alleen bereikt met een metalen verbinding tussen de twee koppelingshelften.

- Breng koelolie aan op de binnenste en buitenste schroefdraden en op de binnenste doorns (afb. **16**, pagina 8).
- Verbind de twee helften van de koppeling en schroef ze eerst handmatig vast (afb. **17**, pagina 8). Gebruik geen moersleutel!

### **1-weg koppeling met wartelmoer:**

- Schroef de koppelingshelft erop met de wartelmoer met behulp van een moersleutel 21 mm en een moersleutel 19 mm tot het einde van de schroefdraad of totdat er merkbare weerstand te voelen is. Draai de schroefverbinding nog niet vast.

De moersleutel 19 mm dient als een geleiding bij het erop schroeven van de wartelmoer.

### **Verbinding van de 1-weg koppeling met externe schroefdraad:**

- Schroef de koppelingshelft erop met de wartelmoer met behulp van een moersleutel 21 mm en een moersleutel 16 mm tot het einde van de schroefdraad of totdat er merkbare weerstand te voelen is. Draai de schroefverbinding nog niet vast.

De moersleutel 16 mm wordt gebruikt om de koppeling tegen te houden wanneer de wartelmoer erop wordt geschroefd.

- Gebruik een potlood om een lijn te trekken van de wartelmoer tot de steun van de tegenoverliggende koppelingshelft.

- Draai de wartelmoer nu nog een kwartdraai stevig vast of met een draaimoment van 30 Nm. De verschuiving van de lijn toont aan hoe stevig de 1-weg koppeling is vastgedraaid.

Deze laatste draai is nodig om een lekvrije verbinding tussen de koppelingshelften te garanderen.



### INSTRUCTIE

De afstand tussen het begin van de wartelmoer en de zeskant van de externe schroefdraad mag niet meer dan 3 mm bedragen (afb. 17, pagina 8).

- Voer een lektest van de koppelingsverbindingen uit. Dit garandeert dat de 1-weg koppelingen correct zijn verbonden en dat de afdichting effectief is.

## 7.5 Het koelaggregaat aansluiten

### Aansluiten op een accu

Het koelaggregaat kan met 12V- of met 24V-voedingsspanning worden gebruikt.



### LET OP!

Om spanningsverlies en daardoor slechtere prestaties te voorkomen, moet de kabel zo kort mogelijk worden gehouden en mag deze niet worden onderbroken.

Vermijd daarom extra schakelaars, stekkers of verdeel dozen.

- Bepaal de vereiste kabeldiameter afhankelijk van de kabellengte conform afb. 18, pagina 8.

Legenda bij afb. 18, pagina 8

Coördinatenas	Betekenis	Apparaat
l	Kabellengte	m
∅	Kabeldiameter	mm <sup>2</sup>



### LET OP!

Let op de juiste polariteit.

- Controleer voor de eerste inbedrijfstelling of de bedrijfsspanning en de accuspanning overeenkomen (zie typeplaatje).

- ▶ Sluit uw koelaggregaat aan
  - zo dicht mogelijk bij de accupool of
  - op een contactdoos die met een zekering is beveiligd met minstens 15 A (bij 12 V) of 7,5 A (bij 24 V).

**LET OP!**

Ontkoppel het koeltoestel en andere verbruikers van de accu voordat u de accu aansluit op een snellader. Overspanning kan de elektronica van het toestel beschadigen.

Om veiligheidsredenen is het koelaggregaat uitgerust met een elektronisch systeem dat beschermt tegen verkeerd polen. Dit beschermt het koelaggregaat wanneer het wordt aangesloten op een accu.

**Aansluiten op een 230V-stroomnet****WAARSCHUWING!**

- Raak stekkers en schakelaars nooit aan als u natte handen heeft of met uw voeten op een natte ondergrond staat.
- Als u uw koeltoestel aan boord van een boot per landaansluiting op een stroomnet van 230 V gebruikt, moet u in ieder geval een aardlekschakelaar tussen het 230V-stroomnet en het koeltoestel installeren.  
Laat u adviseren door een opgeleid technicus.

- ▶ Om het koelaggregaat op het 230V-stroomnet te gebruiken, gebruikt u de gelijkrichter
  - CoolPower EPS100 voor toestellen met compressor BD 35F (50/80/CS/CS-serie),
  - CoolPower MPS35 voor toestellen met compressor BD 35F (50/80/CS/CS-serie),
  - CoolPower MPS50 voor toestellen met compressor BD 50F (90-serie).

**INSTRUCTIE**

De uitgangsspanning van de beschreven gelijkrichter is 24 V. Houd hier rekening mee wanneer u later andere verbruikers aansluit.

## 8 Het koelaggregaat gebruiken

### 8.1 Tips om energie te sparen

- Kies een goed geventileerde en tegen zonnestralen beschermde opstellingsplaats.
- Laat warme levensmiddelen eerst afkoelen alvorens ze in het toestel te leggen.
- Open de koelcontainer niet vaker dan nodig.
- Laat de deur niet langer openstaan dan nodig.
- Ontdooi de koelcontainer zodra zich een ijslaag heeft gevormd.
- Voorkom onnodige lage temperaturen.
- Verwijder regelmatig stof- en vuilafzettingen van de condensor.
- Reinig de afdekkingsafdichting regelmatig.

### 8.2 Het koelaggregaat starten

#### Toestellen zonder TEC-regelaar

- Schakel het koelaggregaat in door de regelknop rechtsom te draaien (afb. **1** A1 of B1, pagina 3).

Door de regelknop nog verder te draaien kan de temperatuur worden geregeld. Toestellen met energieopslagfunctie hebben een knop om de opslag te activeren (afb. **1** A2, pagina 3).



#### INSTRUCTIE

Als de rode led knippert of brandt, is er een fout opgetreden en mag het systeem niet worden gebruikt (zie storingstabel in hoofdstuk hoofdstuk „Led op het thermisch element (afb. **1** 2, pagina 3)” op pagina 175).

#### Toestellen met TEC-regelaar

Toestellen met TEC-regelaar worden gestart door de hoofdschakelaar in te schakelen (afb. **2** 6, pagina 3). U kunt de temperatuur daarna regelen met de temperatuurregelknop (afb. **2** 5, pagina 3).

### 8.3 Het koelaggregaat uitschakelen

Als u het koeltoestel langdurig niet wilt gebruiken, gaat u als volgt te werk:

- **Toestellen zonder TEC-regelaar:** Zet de regelknop op 0.

- ▶ **Toestellen met TEC-regelaar:** Schakel het toestel uit met de hoofdschakelaar (afb. **2** 6, pagina 3).
- ▶ Ontkoppel de aansluitkabel van de accu of trek de stekker van de gelijkstroomkabel uit de gelijkrichter.
- ▶ Reinig het koeltoestel.
- ▶ Laat de deur op een kier staan.  
Dit voorkomt geurvorming.

## 9 De koelmiddelaccumulator gebruiken

### 9.1 Display en bedieningselementen van toestellen met TEC-programmaregeling

Nr. in afb. <b>2</b> , pagina 3	Toelichting
1	Groene led: duidt aan dat de compressor werkt.
2	Gele led: duidt aan dat de externe stroomvoorziening aanwezig is (spanning is hoger dan 13,5 V of 27,0 V). De led knippert als de externe stroomvoorziening te laag is (spanning $\leq 10,7$ V of 21,7 V. Versie E: $\leq 10,7$ V of 22,0 V).
3	Rode led: duidt aan dat de accumulator wordt ontladen, omdat <ul style="list-style-type: none"> <li>• de ontladingsknop is ingedrukt,</li> <li>• hij wordt uitgeschakeld vanwege te lage spanning (spanning <math>\leq 10,7</math> V of 21,4 V. Versie E: <math>\leq 10,7</math> V of 22,0 V).</li> </ul>
4	Accumulatorontladingsknop: onderbreekt compressorbedrijf totdat <ul style="list-style-type: none"> <li>• de opgeslagen koelenergie is opgebruikt,</li> <li>• het niveau van de externe voedingsspanning is hersteld na te lage spanning.</li> </ul>
5	Temperatuurregelknop: hiermee kan de temperatuur in het koelbereik op het gewenste niveau worden ingesteld. Min. (aanslag links) = warmste instelling Max. (aanslag rechts) = koudste instelling
6	Hoofdschakelaar: voor het in- en uitschakelen van het koeltoestel. Positie 0 = UIT Positie – = AAN

## 9.2 Werking van de accumulator

De accumulator zorgt ervoor dat de koelenergie automatisch wordt opgeslagen (tot 8 uur) indien er voldoende elektrisch vermogen beschikbaar is, bijvoorbeeld bij voeding door een netadapter.

Het opslagen koelvermogen wordt ontladen

- automatisch als de uitschakelspanning is bereikt (zie tabel op pagina 164),
- handmatig door op de ontladingsknop te drukken (afb. **1** A2 of afb. **2** 4, pagina 3).



### INSTRUCTIE

De koelaccumulator kan alleen handmatig worden ontladen als deze volledig was opgeladen.

De accumulator wordt automatisch opgeladen als

- de herinschakelspanning is overschreden of
- de accumulator leeg is en u het toestel uit- en weer inschakelt met behulp van de regelknop (afb. **2** 6, pagina 3, werkt alleen op VD-06).



### LET OP!

Als u de accumulator ontdaadt hoewel er een externe spanningsvoorziening is – bijvoorbeeld om geluiden van de compressor te vermijden – gebruik dan de hoofdschakelaar (afb. **1** B1 of afb. **2** 6, pagina 3) om het aggregaat uit te schakelen.



### INSTRUCTIE

Let op: lage binnentemperatuur = hoog stroomverbruik!

## 10 Garantie

De wettelijke garantieperiode is van toepassing. Als het product defect is, wendt u zich tot het filiaal van de fabrikant in uw land (zie [dometic.com/dealer](http://dometic.com/dealer)) of tot uw speciaalzaak.

Voor de afhandeling van de reparatie of garantie dient u de volgende documenten mee te sturen:

- een kopie van de factuur met datum van aankoop,
- reden van de klacht of een beschrijving van de storing.

## 11 Afvoer

► Laat het verpakkingsmateriaal indien mogelijk recylen.



Als u het product definitief buiten bedrijf stelt, informeer dan bij het dichtstbijzijnde recyclingcentrum of uw speciaalzaak naar de betreffende afvoervoorschriften.

## 12 Verhelpen van storingen

Led op het thermisch element (afb. **1** 2, pagina 3)

Aantal knip- perimpul- sen	Fouttype	Oplossing
1	Uitschakeling ter bescherming van de accu	Controleer de accuspanning, zekering en kabeldoorsnede
2	Uitschakeling ventilator als gevolg van te hoge spanning	Controleer stroom van condensor- en verdampventilator: Totale beoogde waarde < 0,5 A
3	Opstartfout compressor	Verlaag de last op het koelsysteem: <ul style="list-style-type: none"> <li>• Zorg voor goede ventilatie rondom het koelaggregaat</li> <li>• Bewaar uitsluitend voorgekoelde levensmiddelen</li> </ul>
4	Uitschakeling door overbelasting van compressor	Verlaag de last op het koelsysteem: <ul style="list-style-type: none"> <li>• Zorg voor goede ventilatie rondom het koelaggregaat</li> <li>• Bewaar uitsluitend voorgekoelde levensmiddelen</li> </ul>
5	Uitschakeling door elektronische zekering	Verlaag de last op het koelsysteem: <ul style="list-style-type: none"> <li>• Zorg voor goede ventilatie rondom het koelaggregaat</li> </ul>

**Compressor loopt niet**

Fout	Mogelijke oorzaak	Oplossing
$U_T = 0\text{ V}$	De verbinding tussen de accu en de elektronica is onderbroken	Breng een verbinding tot stand
	Hoofdschakelaar defect (indien aanwezig)	Vervang de hoofdschakelaar
	Extra leidingzekering doorgebrand (indien aanwezig)	Vervang de zekering
$U_T \leq U_{AAN}$	Accuspanning te laag	Laad de accu op
Startpoging met $U_T \leq U_{UIT}$	Losse kabels	Breng een verbinding tot stand
	Slecht contact (corrosie)	
	Accucapaciteit te gering	Vervang de accu
Startpoging met $U_T \geq U_{AAN}$	Kabeldiameter te gering	Vervang de kabel (afb. 18, pagina 8)
	Omgevingstemperatuur te hoog	–
	Onvoldoende ventilatie en/of koeling	Zorg voor betere ventilatie van het koelaggregaat
	Condensor is vuil	Reinig de condensor
	Ventilator defect (indien aanwezig)	Vervang de ventilator

$U_T$  Spanning tussen plus- en minpool aansluitingen

$U_{AAN}$  Inschakelspanning van de elektronica

$U_{UIT}$  Uitschakelspanning van de elektronica

**Binnentemperatuur te laag in regelingstelling 1**

Fout	Mogelijke oorzaak	Oplossing
Compressor loopt permanent	Thermostaatsensor heeft geen contact met de verdamper	Bevestig de sensor
	Thermostaat defect	Vervang de thermostaat
Compressor loopt lang	In het vriesvak is een grotere hoeveelheid ingevroren	–



**Koelcapaciteit daalt, binnentemperatuur stijgt**

Fout	Mogelijke oorzaak	Oplossing
Compressor loopt lang/permanent	Ijsvorming op verdamper	Ontdooi de verdamper
	Omgevingstemperatuur te hoog	–
	Onvoldoende ventilatie en/of koeling	Zorg voor betere ventilatie van het koelaggregaat
	Condensor is vuil	Reinig de condensor
	Ventilator defect (indien aanwezig)	Vervang de ventilator
Compressor loopt onregelmatig	Accu capaciteit uitgeput	Laad de accu op

**Ongebruikelijke geluiden**

Fout	Mogelijke oorzaak	Oplossing
Luid brommen	Een component van de koelkring kan niet vrij bewegen (ligt tegen de wand aan)	Buig de component voorzichtig van het obstakel af
	Vreemd voorwerp ingeklemd tussen koeltoestel en wand	Verwijder het voorwerp
	Ventilatorgeluid (indien aanwezig)	Reinig de ventilatorbladen

**13 Technische gegevens**

	50	54	55
Max. inhoud koelbereik:	80 liter	130 liter	
Aansluitspanning:	12 V <sup>---</sup> of 24 V <sup>---</sup>		
Opgenomen vermogen:	35–40 W, afhankelijk van verdampertype		
Koelmiddelhoeveelheid:	28 g	35 g	
CO <sub>2</sub> -equivalent:	0,040 t	0,050 t	
Aardopwarmingsvermogen (GWP):	1430		

	<b>50</b>	<b>54</b>	<b>55</b>
Afmetingen (W x H x D) in mm:	315 x 140 x 170	386x155x130	220x160x220
Gewicht:	3,74 kg	6,0 kg	6,5 kg

	<b>84</b>	<b>85</b>	<b>86</b>
Max. inhoud koelbereik:	250 liter		
Aansluitspanning:	12 V $\overline{=}$ of 24 V $\overline{=}$		
Koelmiddelhoeveelheid:	45 g		
CO <sub>2</sub> -equivalent:	0,064 t		
Aardopwarmingsvermogen (GWP):	1430		
Afmetingen (W x H x D) in mm:	386x155x130	220x155x220	220x230x177
Gewicht:	6,0 kg	6,0 kg	6,5 kg

	<b>94</b>	<b>95</b>	<b>96</b>
Max. inhoud koelbereik:	400 liter		
Aansluitspanning:	12 V $\overline{=}$ of 24 V $\overline{=}$		
Koelmiddelhoeveelheid:	60 g		
CO <sub>2</sub> -equivalent:	0,086 t		
Aardopwarmingsvermogen (GWP):	1430		
Afmetingen (W x H x D) in mm:	386x155x130	220x155x220	220x230x177
Gewicht:	6,0 kg	6,0 kg	6,5 kg

	<b>CS-NC15</b>
Max. inhoud koelbereik:	250 liter
Aansluitspanning:	12 V $\overline{=}$ of 24 V $\overline{=}$
Koelmiddelhoeveelheid:	60 g

	<b>CS-NC15</b>
CO <sub>2</sub> -equivalent:	0,086 t
Aardopwarmingsvermogen (GWP):	1430
Afmetingen (W x H x D) in mm:	360x255x275
Gewicht:	8,5 kg

	<b>VD-01</b>	<b>VD-02</b>	<b>VD-03</b>	<b>VD-04</b>
Max. inhoud koelbereik bij 35 mm PU-isolatie:	80 liter	30 liter	170 liter	130 liter
Max. inhoud koelbereik bij 50 mm PU-isolatie:	100 liter	50 liter	200 liter	170 liter
Opgenomen vermogen:	35 W	35 W	50 W	45 W
Spanning	12 V <sup>---</sup> of 24 V <sup>---</sup>			
Koelmiddelhoeveelheid:	17 g		20 g	30 g
CO <sub>2</sub> -equivalent:	0,024 t		0,029 t	0,043 t
Aardopwarmingsvermogen (GWP):	1430			
Afmetingen (b x h x d) in mm:	300x245x110	275x215x25	380x230x82	375x255x100
Gewicht:	1,5 kg	1,0 kg	2,0 kg	1,5 kg

	<b>CU-50 + VD-01</b>	<b>CU-50 + VD-02</b>	<b>CU-50 + VD-07</b>
Max. inhoud koelbereik bij 35 mm PU-isolatie:	50 liter	30 liter	60 liter
Max. inhoud koelbereik bij 50 mm PU-isolatie:	75 liter	50 liter	80 liter
Opgenomen vermogen:	30 W		
Temperatuur:	Omgeving: 32 °C, binnenin: 5 °C		

	<b>VD-05</b>	<b>VD-07</b>	<b>VD-08</b>	<b>VD-09</b>
Max. inhoud koelbereik bij 35 mm PU-isolatie:	130 liter	100 liter	160 liter	160 liter
Max. inhoud koelbereik bij 50 mm PU-isolatie:	170 liter	130 liter	180 liter	180 liter
Opgenomen vermogen:	45 W	35 W	60 W	60 W
Spanning	12 V $\overline{=}$ of 24 V $\overline{=}$			
Koelmiddelhoeveelheid:	30 g	45 g	15 g	65 g
CO <sub>2</sub> -equivalent:	0,043 t	0,064 t	0,021 t	0,093 t
Aardopwarmingsvermogen (GWP):	1430			
Afmetingen (b x h x d) in mm:	375x350x25	255x210x90	450x270x340	365x140x270
Gewicht:	1,5 kg	1,5 kg	2,0 kg	2,0 kg

	<b>VD-14N</b>	<b>VD-15</b>	<b>VD-18</b>
Max. inhoud koelbereik bij 35 mm PU-isolatie:	300 liter	200 liter	100 liter
Max. inhoud koelbereik bij 50 mm PU-isolatie:	400 liter	250 liter	150 liter
Opgenomen vermogen:	80 W	60 W	45 W
Spanning	12 V $\overline{=}$ of 24 V $\overline{=}$		
Koelmiddelhoeveelheid:	15 g		
CO <sub>2</sub> -equivalent:	0,021 t		
Aardopwarmingsvermogen (GWP):	1430		
Afmetingen (b x h x d) in mm:	220x275x65	220x275x65	350x250x25
Gewicht:	2,5 kg	1,5 kg	1,5 kg

	<b>VD-16</b>	<b>VD-21</b>
Max. inhoud koelbereik bij 60 mm PU-isolatie:	130 liter	250 liter
Max. inhoud koelbereik bij 100 mm PU-isolatie:	200 liter	300 liter
Opgenomen vermogen:	60 W	60 W
Spanning	12 V <sup>===</sup> of 24 V <sup>===</sup>	
Koelmiddelhoeveelheid:	40 g	10 g
CO <sub>2</sub> -equivalent:	0,057 t	0,014 t
Aardopwarmingsvermogen (GWP):	1430	
Afmetingen (b x h x d) in mm:	330x260x130	1370x305x10
Gewicht:	2,5 kg	4,0 kg

	<b>VD-16 voor 80-serie</b>	<b>VD-16 voor 90-serie</b>
Max. inhoud koelbereik bij 35 mm PU-isolatie:	120 liter	200 liter
Max. inhoud koelbereik bij 50 mm PU-isolatie:	200 liter	250 liter
Opgenomen vermogen:	65 W	80 W
Spanning	12 V <sup>===</sup> of 24 V <sup>===</sup>	
Koelmiddelhoeveelheid:	40 g	
CO <sub>2</sub> -equivalent:	0,057 t	
Aardopwarmingsvermogen (GWP):	1430	
Afmetingen (b x h x d) in mm:	380x300x62	
Gewicht:	5,0 kg	

**Keuring/certificaten:**



De koelkring bevat R-134a.

Bevat gefluoreerde broeikasgassen

Læs og følg alle disse anvisninger, retningslinjer og advarsler i denne produktvejledning grundigt for at sikre, at du altid installerer, bruger og vedligeholder produktet korrekt. Disse anvisninger SKAL opbevares sammen med dette produkt.

Ved at benytte produktet bekræfter du hermed, at du har læst alle anvisninger, retningslinjer og advarsler grundigt, og at du forstår og er indforstået med de vilkår og betingelser, der er fastlagt heri. Du er indforstået med kun at bruge dette produkt til det beregnede formål og anvendelse i overensstemmelse med anvisningerne, retningslinjerne og advarslerne i denne produktvejledning samt i overensstemmelse med alle de gældende love og forskrifter. Manglende læsning og ignorering af disse anvisninger og advarsler kan medføre kvæstelser på dig selv og andre, skade på dit produkt eller skade på anden ejendom i nærheden. Der tages forbehold for eventuelle ændringer og opdateringer af denne produktvejledning samt anvisningerne, retningslinjerne og advarslerne samt den tilhørende dokumentation. Se [dometic.com](http://dometic.com) for de nyeste produktinformationer.

## Indhold

1	Forklaring af symboler . . . . .	183
2	Sikkerhedshenvisninger . . . . .	184
3	Leveringsomfang . . . . .	186
4	Tilbehør . . . . .	186
5	Korrekt brug . . . . .	186
6	Teknisk beskrivelse . . . . .	187
7	Installation af køleaggregatet . . . . .	188
8	Brug af køleaggregatet . . . . .	195
9	Brug af kølemiddelakkumulator . . . . .	197
10	Garanti . . . . .	198
11	Bortskaffelse . . . . .	198
12	Udbedring af fejl . . . . .	199
13	Tekniske data . . . . .	201

## 1 Forklaring af symboler



### FARE!

**Sikkerhedshenvisning** til en farlig situation, der medfører død eller alvorlige kvæstelser, hvis den ikke undgås.



### ADVARSEL!

**Sikkerhedshenvisning** til en farlig situation, der kan medføre død eller alvorlige kvæstelser, hvis den ikke undgås.

**FORSIGTIG!**

**Sikkerhedshenvisning** til en farlig situation, der kan medføre lette eller mindre kvæstelser, hvis den ikke undgås.

**VIGTIGT!**

Henvisning til en situation, der kan medføre materielle skader, hvis den ikke undgås.

**BEMÆRK**

Supplerende informationer om betjening af produktet.

## 2 Sikkerhedshenvisninger

### 2.1 Grundlæggende sikkerhed

**FARE!**

- **Fare for dødelige kvæstelser!**

**Når apparatet anvendes på både:** Hvis apparatet forsynes af det elektriske system, skal du sørge for, at strømforsyningen har fejlstrømsrelæ!

**ADVARSEL!**

- Dette apparat må kun installeres og repareres af en kvalificeret tekniker. Utilstrækkelige reparationer kan medføre betydelige farer. Kontakt kundeserviceafdelingen i forbindelse med reparationer.
- Hvis apparatet har synlige beskadigelser, må apparatet ikke tages i brug.
- Åbn under ingen omstændigheder kølekredsløbet. En undtagelse herfra er, når aggregatet skal afbrydes for at blive sendt retur (kapitlet „Installation af den udvendige temperaturregulator“ på side 191).
- Stil apparatet på et tørt sted, der er beskyttet mod stænkvand.
- Stil ikke aggregatet i nærheden af åben ild eller andre varmekilder (varmeapparater, stærk sol, gasovne osv.).
- Sørg for, at kompressoren er tilstrækkeligt ventileret.
- **El-apparater er ikke legetøj!**  
Opbevar og anvend apparatet uden for børns rækkevidde.



- Personer (inkl. børn), der på grund af deres fysiske, sans- eller mentale evner eller deres uerfarenhed eller uvidenhed ikke er i stand til at anvende produktet sikkert, bør kun anvende dette produkt under en ansvarlig persons opsyn eller anvisning.
- Kontrollér før start af apparatet, om driftsspændingen og batterispændingen stemmer overens (se typeskiltet).
- Hvis tilslutningskablet er beskadiget, skal du udskifte det for at undgå farer. Udskift kun et beskadiget tilslutningskabel med et tilslutningskabel af samme type og med samme specifikation.
- Opbevar ikke eksplosive stoffer som f.eks. spraydåser med drivgas i apparatet.

## 2.2 Sikkerhed under anvendelse af apparatet



### **FARE! Fare for dødelige kvæstelser!**

- Tag aldrig fat i uisolerede ledninger med bare hænder. Dette gælder frem for alt ved tilslutning til vekselstrømnettet.



### **VIGTIGT!**

- Anvend aldrig rengøringsmidler, som indeholder sand, syrer eller opløsningsmidler, til at rengøre fordampere.
- Beskyt apparatet mod regn og fugtighed.
- Afbryd køleapparatet og andre forbrugerenheder fra batteriet, før du tilslutter hurtigopladeren.



### **BEMÆRK**

- Afbryd apparatet, hvis du ikke bruger det i en længere periode.

## 2.3 Sikkerhedsforanstaltninger ved håndtering af batterier



### **FORSIGTIG! Fare for kvæstelser!**

- Batterier indeholder aggressive og ætsende syrer. Undgå, at batterivæske kommer i kontakt med din krop. Skyl den pågældende legemsdel grundigt med vand, hvis din hud kommer i kontakt med batterivæske.
- Hvis du tilslutter apparatet til et batteri, skal du kontrollere, at fødevarer ikke kommer i berøring med batterisyren.

### 3 Leveringsomfang

Antal	Beskrivelse
1	Køleenhed eller fordampner
1	Betjeningsvejledning

### 4 Tilbehør

Hvis du ønsker at tilslutte aggregatet til en 230 V vekselstrømforsyning, skal du anvende en af følgende ensrettere.

Kan fås som tilbehør (ikke indeholdt i leveringsomfanget):

Beskrivelse	Artikelnummer
CoolPower EPS100 ensretter Til apparater med BD35F-kompressor (50/80/CS/CS-serien)	9600000440
CoolPower MPS35 ensretter Til apparater med BD35F-kompressor (50/80/CS/CS-serien)	9600000445
CoolPower MPS50 ensretter Til apparater med BD50F-kompressor (90-serien)	9600000441

### 5 Korrekt brug

Aggregatet er egnet til at bygge dit eget køleskab eller køleboks.

Køleaggregatet egner sig til at køle og dybfryse fødevarer. Apparatet er også egnet til anvendelse på både.

Dette produkt er kun egnet til dets beregnede formål og anvendelse i overensstemmelse med disse anvisninger.

Denne vejledning giver dig oplysninger om, hvad der er nødvendigt med henblik på en korrekt montering og/eller drift af produktet. Dårlig montering og/eller ukorrekt drift eller vedligeholdelse medfører utilstrækkelig ydeevne og mulige fejl.

Producenten påtager sig intet ansvar for kvæstelser eller skader i forbindelse med produktet, der skyldes:

- Ukorrekt samling eller forbindelse inklusive for høj spænding
- Ukorrekt vedligeholdelse eller brug af uoriginale reservedele, der ikke stammer fra producenten

- Ændringer på produktet uden udtrykkelig tilladelse fra producenten
- Brug til andre formål end dem, der er beskrevet i vejledningen

Dometic forbeholder sig ret til at ændre produktets udseende og produktspecifikationer.

## 6 Teknisk beskrivelse

Køleaggregaterne er egnede til tilslutning til en jævnspænding på 12 V eller 24 V og kan dermed f.eks. anvendes i forbindelse med camping eller på både. Derudover kan du tilslutte dem til en 230 V-strømforsyning via ensretterne (se kapitlet „Tilbehør“ på side 186).

Hvis køleenheden anvendes på både, kan det udsættes for en konstant hældning på 30°.

Køleaggregatet skal anvendes sammen med en fordamper. Derudover kan du benytte en akkumulator med eller uden TEC-styring. **CS-NC15** består af et køleaggregat og en fordamper.

Anvend den trinløst variable termostat på fordamperen for at indstille den ønskede temperatur.

Akkumulatoren og TEC-programstyringen sikrer en høj kølekapacitet og forbedrer aggregatets effektivitet. Akkumulatoren oplades, når der er en tilstrækkelig strømforsyning (f.eks. når strømforsyningen sker via en netadapter). I tilfælde af akkumulatorbrug eller underspænding trækkes kølemidlet fra akkumulatoren, indtil den er tom. Dermed bruges der på dette tidspunkt ingen strøm fra batteriet.

TEC-programstyringen sørger altid for følgende:

- Køleenergien lagres, hvis der er overskydende elektrisk energi (ekstern strømforsyningen fra en generator).
- Kølemiddelakkumulatoren kan altid anvendes til at sikre, at den komplette batteristrøm anvendes til andre forbrugere.
- Lagret køleenergi hentes automatisk for at bevare den indvendige køletemperatur i køleområdet, når batterikapaciteten er opbrugt.



### BEMÆRK

Du kan finde flere oplysninger om kølemiddelakkumulatoren i kapitlet „Brug af kølemiddelakkumulator“ på side 197.

## 6.1 Batteriovervågning

Køleapparatet er udstyret med et elektronisk apparat til at beskytte mod forkert tilslutning af polerne, når det tilsluttes til et batteri. For at beskytte batteriet frakobles køleapparatet automatisk, hvis spændingen ikke er længere er tilstrækkelig (se følgende tabel).

### Aggregater uden TEC-styring

Tilslutningsspænding	Frakoblingsspænding	Gentilkoblingsspænding
12 V	10,4 V	11,7 V
24 V	22,8 V	24,2 V

### Aggregater med TEC-styring

Tilslutningsspænding	Frakoblingsspænding	Gentilkoblingsspænding
12 V	10,7 V	13,0 V
24 V	22,0 V	26,0 V

## 7 Installation af køleaggregatet



### ADVARSEL!

Installationen må kun foretages af en uddannet tekniker.

### 7.1 Nødvendigt værktøj

Til **installation og montering** har du brug for følgende værktøj:

- Boremaskine
- Skruetrækker
- Gaffelnøgle: 16 mm, 19 mm og 21 mm
- Tætningsmasse og monteringskum
- Kabel, kabelsko og kabelbånd
- Esterolie

## 7.2 Bemærkninger om kølebeholderen

### Tilladte køleområdeindhold

Sørg for, at det specificerede maksimale køleområdeindhold ikke overskrides for den pågældende fordampertype (se kapitlet „Tekniske data“ på side 201).

### Minimumisolering

Den maksimale køleområdeindhold er baseret på en minimumisoleringstykkelse på 35 mm polyurethanskum med en tæthed på 40 kg/m<sup>3</sup>. Hvis der anvendes andre isoleringsmaterialer som f.eks. styrofoam, skal vægtykkelsen fordobles for at opnå det samme varmeisoleringsniveau.

### Montering af fordamperen

Fordamperen skal installeres i kølebeholderen (undtagen **CS-NC15**, fordamperen er formonteret).

Vær opmærksom på følgende under processen:

- Korrekt installationsposition (fig. **3**, side 4 op til fig. **9**, side 6)
- Placering i kølebeholderen så langt oppe som muligt
- Foretag installationen mindst 10 mm fra væggen (**ikke VD-14N og VD-15**).



#### VIGTIGT!

For køleaggregater uden ventilkoblinger (installationsparate aggregater): Du må ikke åbne kølekredsløbet under installationen. Du skal evt. lave åbningerne i væggen større for at kunne skubbe fordamperen gennem dem (fig. **11**, side 6). Eller som alternativ kan du lave en åbning, så du kan installere køleledningerne øverst (fig. **12**, side 6).

### Tilslutning af fordamperen

- ▶ Tilslut fordamperne **VD-14N and VD-15** i overensstemmelse med fig. **10**, side 6.
- ▶ Tilslut fordamperen **VD-16** i overensstemmelse med fig. **9**, side 6.
- ▶ Tilslut andre fordampere i overensstemmelse med fig. **19**, side 9.

## Forklaringer til illustrationerne

Nr. på fig. <b>8</b> , side 5	Forklaring
1	Jævnstrømsventilator
2	Termostatknop
3	Tilslutningsstik til jævnstrømsventilator
4	Termostat
5	Tilslutningskabel

Nr. på fig. <b>9</b> , side 6	Forklaring
1	Tilslutningskabel

Nr. på fig. <b>10</b> , side 6	Forklaring
1	Tilslutningskabel

Nr. på fig. <b>19</b> , side 9 og fig. <b>20</b> , side 9	Forklaring
1	Tilslutningsblok
2	Kompressor
3	Ventilator
4	Tilslut fig. <b>19</b> eller TEC-styring fig. <b>20</b>



### VIGTIGT!

Isolér og tættn vægåbningerne omhyggeligt efter montering for at forhindre, at der trænger fugt ind.

### For køleaggregater med ventilkoblinger

- Skær et hul med en diameter på mindst 30 mm (fig. **13**, side 7) til køleledningerne. Brug en rundskærer til dette.

**VIGTIGT!**

Du må aldrig bøje forbindelsesledningen mellem fordamperen og aggregatet. Den min. bøjningsradius er på 25 mm.

### 7.3 Installation af køleaggregatet

Det er vigtigt at vælge det rigtige monteringssted for aggregatet. Overhold følgende punkter for at sikre fejlfri drift:

- Opstil aggregatet på en tør, beskyttet plads. Undgå at placere det i nærheden af varmekilder som f.eks. radiatorer, gasovne eller varme vandrør. Placér det ikke i direkte sollys.
- Installér på både så vidt muligt aggregatet under vandlinjen.
- Køleaggregatet fungerer ved en hældningsvinkel på op til 30°. Installér det på en lige flade, så det også fungerer ved så muligt kraftig krængning.
- Den opvarmede luft skal kunne bortledes uhindret (fig. 14, side 7).
- Når aggregatet monteres i et lukket rum som f.eks. en garderobe, køkkenskab eller rum i agterenden, skal åbninger have et tværsnit på mindst 200 cm<sup>2</sup> (25 cm x 8 cm) til køle- og udstødningsluft.
- Sørg for, at luftstrømmen på kondensatoren (fig. 14 Cside 7) ikke forhindres.
- Overhold en minimumafstand mellem kondensatoren og den tilstødende væg på 50 mm.
- **CS-NC15:** Brug boreskabelonen (fig. 21, side 11) og installationstegningen (fig. 22, side 12).

### 7.4 Installation af den udvendige temperaturregulator

#### Mekanisk termostat

Temperaturregulatoren kan enten monteres på den udvendige side eller den indvendige side af kølebeholderen. Den indvendige temperatur reguleres afhængigt af fordampers overfladetemperatur, eller **for VD-14N og VD-15**, afhængigt af rumtemperaturen.

- ▶ Tilslut sensorkablets spoledede ende til fordamperen (fig. 15, side 8, **ikke VD-14N, VD-15**) ved at bruge klemmepladen. Den er formonteret på **VD-14N, VD-15**.
- ▶ Kontrollér, at sensorledningen ikke har kontakt andre steder med fordamperen eller sugeledningen.

## TEC-styring

TEC-styringen skal monteres udvendigt på kølebeholderen. Den indvendige temperatur reguleres efter fordampersensens overfladetemperatur.

Temperatursensoren er blevet monteret på akkumulatoren fra fabrikken.

- Tilslut temperatursensoren med TEC-styringen via indstikskoblingen.

## Montering af envejskoblinger (ikke CS-NC15)



### VIGTIGT!

Kun personer, som er uddannet og har kendskab inden for køleteknologien, må tilslutte envejskoblingerne. De generelle forskrifter for håndtering af kølemidler skal overholdes!

Envejskoblingerne er kun egnede til tilslutning af køleaggregaterne én gang. En genåbning eller ukorrekt tilslutning af koblingerne medfører et komplet tab af kølemidlet og i svigt af køleaggregatet!

I sådanne tilfælde skal de to tidligere tilsluttede dele af køleaggregatet afmonteres og sendes ind. På fabrikken fornyes envejskoblingerne, og produktet genfyldes med kølemiddel.

De to komponenter i køleaggregatet – fordampersensens og kompressor-kondensatoren – leveres separat. Komponenterne tilsluttes med envejskoblinger. Kølemiddel-mængden, der kræves for at drive hele køleaggregatet, er allerede i de to komponenter. Det er altså ikke nødvendigt at efterfylde kølemiddel.

- Saml kompressor-kondensatoren og fordampersensens.
- Fjern beskyttelseshætterne og propperne fra de ikke-tilsluttede halvdele på envejskoblingerne til kompressor-kondensatoren og fordampersensens.
- Rengør koblingssædet og gevindoverfladen grundigt for at undgå, at der kommer smuds eller fremmedlegemer ind i systemet.



### VIGTIGT! Fare for lækage af kølemiddel

- Brug altid to nøgler, når envejskoblingerne spændes, så man undgå, at rørene drejer!
- Det er ikke tilladt at bruge envejskoblingerne igen!
- Bestem, hvilken af de to envejskoblingsforbindelser, der er mest vanskelig at få adgang til med nøglen, og tilslut den først.
- Tilslut altid kun en envejskoblingsforbindelse og derefter den anden.



**BEMÆRK**

O-ringen er kun en midlertidig tætning under den indledende tilslutning af envejskoblingerne. Denne O-ring er kun regnet til den indledende tætning mellem hullet i blænden og den endelige metallisk tætning. Der kan kun opnås en lækagefri tætning vha. en metallisk tætning mellem de to koblingshalvdele.

- ▶ Påfør kølemiddelolie på de indvendige og udvendige gevind og på de indvendige mandreller (fig. **16**, side 8).
- ▶ Tilslut de to koblingshalvdele, og skru dem først sammen med hånden (fig. **17**, side 8). Du må ikke bruge en nøgle!

**Envejskobling med omløbermøtrik:**

- ▶ Skru koblingshalvdelen på med omløbermøtrikken vha. en nøgle med en størrelse på 21 mm og en nøgle med en størrelse på 19 mm op til anden af gevindet, eller indtil der mærkes en modstand. Spænd ikke skrueforbindelsen endnu. Nøglen med størrelsen på 19 mm fungerer som en føring, når omløbermøtrikken skrues på.

**Tilslutning af envejskoblingen med udvendigt gevind:**

- ▶ Skru koblingshalvdelen på med omløbermøtrikken vha. en nøgle med en størrelse på 21 mm og en nøgle med en størrelse på 16 mm op til anden af gevindet, eller indtil der mærkes en modstand. Spænd ikke skrueforbindelsen endnu. Nøglen med en størrelse på 16 mm anvendes til at holde kontra, når omløbermøtrikken skrues på.
- ▶ Brug en blyant til at tegne en linje fra omløbermøtrikken til beslaget på den overfor liggende koblingshalvdel.
- ▶ Spænd nu omløbermøtrikken fast med et moment på 30 Nm eller en ekstra 1/4 omdrejning. Forskydningen af linjen viser, hvor kraftigt envejskoblingen var spændt. Den sidste omdrejning er nødvendig for at sikre en lækagefri tilslutning mellem koblingshalvdelene.

**BEMÆRK**

Afstanden mellem begyndelsen af omløbermøtrikken og sekskanten på det udvendige gevind må ikke være over 3 mm (fig. **17**, side 8).

- ▶ Foretag en lækagetest på koblingsforbindelserne. Dette sikrer, at envejskoblingerne er tilsluttet korrekt, og at tætningen fungerer.

## 7.5 Tilslutning af køleaggregatet

### Tilslutning til et batteri

Køleaggregatet kan tilsluttes til 12 V eller til 24 V jævnspænding.



#### VIGTIGT!

For at undgå spændingstab og derfor et fald i ydeevne skal kablet holdes så kort som muligt og bør ikke afbrydes.

Undgå af denne grund ekstra kontakter, stik eller fordelerdåser.

- ▶ Bestem kablets nødvendige tværsnit afhængigt af kabellængden iht. fig. **18**, side 8.

Nøgle til fig. **18**, side 8

Koordinatakse	Betydning	Enhed
I	Kabellængde	m
Ø	Kabeltværsnit	mm <sup>2</sup>



#### VIGTIGT!

Byt ikke om på polerne.

- ▶ Kontrollér før start af aggregatet, om driftsspændingen og batterispændingen stemmer overens (se typeskilt).
- ▶ Tilslut dit aggregat
  - så direkte som muligt til batteriets pol eller
  - til et stik, der er beskyttet med en sikring med mindst 15 A (ved 12 V) eller 7,5 A (ved 24 V).



#### VIGTIGT!

Afbryd køleapparatet og andre forbrugere fra batteriet, før du tilslutter batteriet til en hurtigoplader. Overspænding kan beskadige apparatets elektronik.

Af sikkerhedsmæssige årsager er aggregatet udstyret med et elektronisk system, så man undgår at vende på polerne. Det beskytter aggregatet, når det tilsluttes til et batteri.

## Tilslutning til en 230 V-strømforsyning



### ADVARSEL!

- Berør aldrig stik og kontakter, når du har våde hænder eller står med fødderne i vand.
- Hvis du anvender køleapparatet på en båd ved hjælp af en 230 V-vekselstrømsnettilslutning på land, skal du montere et fejlstrømsrelæ mellem 230 V-vekselstrømnettet og køleapparatet. Få råd hos en fagmand.

- ▶ For at anvende køleaggregatet via et 230 V-strømforsyningsnet skal du benytte ensretteren
  - CoolPower EPS100 til apparater med BD35F-kompressor (50/80/CS/CS-serien)
  - CoolPower MPS35 til apparater med BD35F-kompressor (50/80/CS/CS-serien)
  - CoolPower MPS50 til apparater med BD50F-kompressor (90-serien).



### BEMÆRK

Udgangsspændingen på den beskrevne ensretter er 24 V. Husk dette, når du tilslutter andre forbrugere senere.

## 8 Brug af køleaggregatet

### 8.1 Tips til energibesparelse

- Vælg et monteringssted, der er godt ventileret og beskyttet mod sol.
- Lad først varm mad køle af, før du lægger det ind i apparatet.
- Åbn ikke den kølede beholder hyppigere end nødvendigt.
- Lad ikke døren være åben længere end nødvendigt.
- Afrim den kølede beholder, når der dannes et islag.
- Undgå unødigt lave temperaturer.
- Rengør regelmæssigt kondensatoren for støv og snavs.
- Rengør lågets pakning regelmæssigt.

## 8.2 Start af køleaggregatet

### Aggregater uden TEC-styring

- ▶ Tænd for køleaggregatet ved at dreje betjeningsknappen med uret (fig. **1** A1 eller B1, side 3).

Hvis du drejer betjeningsknappen længere, kan de regulere temperaturen. Aggregater med energilagringsfunktion har en knap til aktivering af lagringen (fig. **1** A2, side 3).



#### BEMÆRK

Hvis den røde LED blinker eller lyser, er der opstået en fejl, og systemet kan ikke anvendes (se fejltabellen i kapitel kapitlet „LED på termoelementet (fig. **1** 2, side 3)“ på side 199).

### Aggregater med TEC-styring

Aggregater med TEC-styring startes ved at trykke på hovedafbryderen (fig. **2** 6, side 3). Du kan derefter regulere temperaturen (fig. **2** 5, side 3) med temperaturvælgeren.

## 8.3 Nedlukning af aggregatet

Hvis du vil tage køleaggregatet ud af drift i længere tid, skal du gå frem på følgende måde:

- ▶ **Aggregater uden TEC-styring:** Drej betjeningen hen på 0.
- ▶ **Aggregater med TEC-styring:** Sluk for aggregatet med hovedafbryderen (fig. **2** 6, side 3).
- ▶ Tag tilslutningskablet af batteriet, eller træk stikket på jævnstrømsledningen ud af ensretteren.
- ▶ Rengør køleapparatet.
- ▶ Lad døren stå en smule åben over afdækningen. Det forhindrer, at der dannes lugt.

## 9 Brug af kølemiddelakkumulator

### 9.1 Visnings- og betjeningslementer på aggregater med TEC-programstyring

Nr. på fig. <b>2</b> , side 3	Forklaring
1	Grøn LED: Viser, at kompressoren kører.
2	Gul LED: Viser, at der findes ekstern strømforsyning (spændingen er over 13,5 V eller 27,0 V). LED ≤ 10,7 V eller 21,7 V. Version E: ≤ 10,7 V eller 22,0 V).
3	Rød LED: Viser, at akkumulatoren aflades, fordi <ul style="list-style-type: none"> <li>• der er blevet trykket på afladningsknappen</li> <li>• Nedlukning pga. lav spænding (spænding ≤ 10,7 V eller 21,4 V. Version E: ≤ 10,7 V eller 22,0 V).</li> </ul>
4	Afladningsknap til akkumulator: Afbryder kompressordriften, indtil <ul style="list-style-type: none"> <li>• den lagrede køleenergi er opbrugt</li> <li>• Niveaulet for den eksterne spændingsforsyning er genoprettet efter lav spænding.</li> </ul>
5	Temperaturvælger: Gør det muligt at indstille temperaturen efter ønske i køleområdet Min. (helt mod venstre) = varmeste indstilling Maks. (helt mod højre) = koldeste indstilling
6	Hovedafbryder: Til at tænde og slukke køleaggregatet med. Position 0 = OFF Position – = ON

### 9.2 Akkumulatorens funktion

Akkumulatorens funktion sikrer, at køleenergien lagres automatisk (op til 8 timer), hvis der er nok elektrisk strøm til rådighed, f.eks. ved forsyning fra en netadapter.

Der aflades lagret køleeffekt

- automatisk, når frakoblingspændingen er nået (se tabellen på side 188)
- eller manuelt ved at trykke på afladningsknappen (fig. **1** A2 eller fig. **2** 4, side 3).

**BEMÆRK**

Køleakkumulatoren kan kun aflades manuelt, hvis den var helt oplades i forvejen.

Akkumulatoren aflades automatisk, hvis

- genstartspændingen overskrides
- eller hvis akkumulatoren er tom, og du genstarter aggregatet igen på betjeningsknappen (fig. **2** 6, side 3, fungerer kun på VD-06).

**VIGTIGT!**

Når du aflader akkumulatoren, selv om der findes en ekstern strømkilde, f.eks. for at undgå driftsstøj fra kompressoren, skal du bruge hovedafbryderen for at slukke for aggregatet (fig. **1** B1 eller fig. **2** 6, side 3).

**BEMÆRK**

Vær opmærksom på følgende: Lav indvendig temperatur = højt strømforbrug!

## 10 Garanti

Den lovbestemte garantiperiode gælder. Hvis produktet er defekt, skal du kontakte producentens afdeling i dit land (se [dometic.com/dealer](http://dometic.com/dealer)) eller din forhandler.

Ved reparation eller krav om garanti skal du medsende følgende bilag:

- En kopi af regningen med købsdato
- En reklameringsgrund eller en fejlbeskrivelse

## 11 Bortskaffelse

► Bortskaf så vidt muligt emballagen sammen med det tilsvarende genbrugsaffald.



Hvis du tager produktet endegyldigt ud af drift, skal du kontakte det nærmeste recyclingcenter eller din faghandel for at få de pågældende forskrifter om bortskaffelse.

## 12 Udbedring af fejl

### LED på termoelementet (fig. 1 2, side 3)

Antal blink	Fejltype	Afhjælpning
1	Nedlukning pga. batteribeskyttelse	Kontrollér batterispændingen, sikringen og kabeltværnsnittet
2	Nedlukning pga. ventilatoroverspænding	Kontrollér ventilatorspændingen for kondensatoren og fordamperen: samlet målværdi $< 0,5 \text{ A}$
3	Opstartsfejl i kompressoren	Sænk belastningen af kølesystemet: <ul style="list-style-type: none"> <li>• Kontrollér, at der er god ventilation omkring køleaggregatet</li> <li>• Opbevar allerede nedkølede varer</li> </ul>
4	Nedlukning pga. kompressoroverbelastning	Sænk belastningen af kølesystemet: <ul style="list-style-type: none"> <li>• Kontrollér, at der er god ventilation omkring køleaggregatet</li> <li>• Opbevar allerede nedkølede varer</li> </ul>
5	Nedlukning pga. elektronisk sikring	Sænk belastningen af kølesystemet: <ul style="list-style-type: none"> <li>• Kontrollér, at der er god ventilation omkring køleaggregatet</li> </ul>

### Kompressoren kører ikke

Fejl	Mulig årsag	Afhjælpning
$U_T = 0 \text{ V}$	Forbindelsen mellem batteriet og – elektronikken er afbrudt	Etablér forbindelsen
	Hovedafbryder defekt (hvis den findes)	Udskift hovedafbryderen
	Ekstra ledningssikring brændt over (hvis den findes)	Udskift sikringen
$U_T \leq U_{ON}$	Batterispænding for lav	Oplad batteriet
Startforsøg med $U_T \leq U_{OFF}$	Løs kabelforbindelse	Etablér forbindelsen
	Dårlig forbindelse (korrosion)	
	Batterikapacitet for lav	Udskift batteriet
	Kabeltværnsnit for lille	Udskift kablet (fig. 18, side 8)

Fejl	Mulig årsag	Afhjælpning
Startforsøg med $U_T \geq U_{ON}$	Udenomstemperatur for høj	–
	Utilstrækkelig ventilation og/eller køling	Sørg for forbedret ventilation for aggregatet
	Kondensatoren er snavset	Rengør kondensatoren
	Ventilator defekt (hvis den findes)	Udskift ventilatoren

$U_T$  Spænding mellem elektronikkens positive og negative klemmer

$U_{TIL}$  Elektronikkens tilkoblingsspænding

$U_{FRA}$  Elektronikkens frakoblingsspænding

### Indvendig temperatur for lav på reguleringstrin 1

Fejl	Mulig årsag	Afhjælpning
Kompressoren kører konstant	Termostatføleren har ikke forbindelse til fordampere	Fastgør føleren
	Termostat defekt	Udskift termostaten
Kompressoren kører længe	I fryseboksen blev der nedfrosset en større mængde	–

### Kølekapaciteten falder, indvendig temperatur stiger

Fejl	Mulig årsag	Afhjælpning
Kompressoren kører længe/konstant	Der dannes islag på fordampere	Afrim fordampere
	Udenomstemperatur for høj	–
	Utilstrækkelig ventilation og/eller køling	Sørg for forbedret ventilation for aggregatet
	Kondensatoren er snavset	Rengør kondensatoren
Kompressoren kører uregelmæssigt	Ventilator defekt (hvis den findes)	Udskift ventilatoren
	Batterikapacitet opbrugt	Oplad batteriet



## Usædvanlig støj

Fejl	Mulig årsag	Afhjælpning
Høj brummen	En af kølekredsløbets komponenter kan ikke svinge frit (ligger op mod væggen)	Bøj forsigtigt komponenten væk fra forhindringen
	Fremmedlegeme i klemme mellem køleapparatet og væggen	Fjern fremmedlegemet
	Ventilatorstøj (hvis den findes)	Rengør ventilatorvingerne

## 13 Tekniske data

	50	54	55
Maks. indhold for køleområdet:	80 liter	130 liter	
Tilslutningsspænding:	12 V $\overline{=}$ eller 24 V $\overline{=}$		
Effektforbrug:	35–40 W, afhængigt af fordampertypen		
Kølemiddelmængde:	28 g	35 g	
CO <sub>2</sub> -ækvivalent:	0,040 t	0,050 t	
Drivhuspotentiale (GWP):	1430		
Mål (B x H x T) i mm:	315 x 140 x 170	386x155x130	220x160x220
Vægt:	3,74 kg	6,0 kg	6,5 kg

	84	85	86
Maks. indhold for køleområdet:	250 liter		
Tilslutningsspænding:	12 V $\overline{=}$ eller 24 V $\overline{=}$		
Kølemiddelmængde:	45 g		
CO <sub>2</sub> -ækvivalent:	0,064 t		
Drivhuspotentiale (GWP):	1430		
Mål (B x H x T) i mm:	386x155x130	220x155x220	220x230x177
Vægt:	6,0 kg	6,0 kg	6,5 kg

	<b>94</b>	<b>95</b>	<b>96</b>
Maks. indhold for køleområdet:	400 liter		
Tilslutningsspænding:	12 V <sup>===</sup> eller 24 V <sup>===</sup>		
Kølemiddelmængde:	60 g		
CO <sub>2</sub> -ækvivalent:	0,086 t		
Drivhuspotentiale (GWP):	1430		
Mål (B x H x T) i mm:	386x155x130	220x155x220	220x230x177
Vægt:	6,0 kg	6,0 kg	6,5 kg

	<b>CS-NC15</b>
Maks. indhold for køleområdet:	250 liter
Tilslutningsspænding:	12 V <sup>===</sup> eller 24 V <sup>===</sup>
Kølemiddelmængde:	60 g
CO <sub>2</sub> -ækvivalent:	0,086 t
Drivhuspotentiale (GWP):	1430
Mål (B x H x T) i mm:	360x255x275
Vægt:	8,5 kg

	<b>VD-01</b>	<b>VD-02</b>	<b>VD-03</b>	<b>VD-04</b>
Maks. indhold for køleområdet ved 35 mm PU-isolering:	80 liter	30 liter	170 liter	130 liter
Maks. indhold for køleområdet ved 50 mm PU-isolering:	100 liter	50 liter	200 liter	170 liter
Effektforbrug:	35 W	35 W	50 W	45 W
Spænding	12 V <sup>===</sup> eller 24 V <sup>===</sup>			
Kølemiddelmængde:	17 g		20 g	30 g
CO <sub>2</sub> -ækvivalent:	0,024 t		0,029 t	0,043 t
Drivhuspotentiale (GWP):	1430			

	<b>VD-01</b>	<b>VD-02</b>	<b>VD-03</b>	<b>VD-04</b>
Mål (B x H x D) i mm:	300x245x110	275x215x25	380x230x82	375x255x100
Vægt:	1,5 kg	1,0 kg	2,0 kg	1,5 kg

	<b>CU-50 + VD-01</b>	<b>CU-50 + VD-02</b>	<b>CU-50 + VD-07</b>
Maks. indhold for køleområdet ved 35 mm PU-isolering:	50 liter	30 liter	60 liter
Maks. indhold for køleområdet ved 50 mm PU-isolering:	75 liter	50 liter	80 liter
Effektforbrug:	30 W		
Temperatur:	omgivelse: 32 °C, indvendig: 5 °C		

	<b>VD-05</b>	<b>VD-07</b>	<b>VD-08</b>	<b>VD-09</b>
Maks. indhold for køleområdet ved 35 mm PU-isolering:	130 liter	100 liter	160 liter	160 liter
Maks. indhold for køleområdet ved 50 mm PU-isolering:	170 liter	130 liter	180 liter	180 liter
Effektforbrug:	45 W	35 W	60 W	60 W
Spænding	12 V <sup>===</sup> eller 24 V <sup>===</sup>			
Kølemiddelmængde:	30 g	45 g	15 g	65 g
CO2-ækvivalent:	0,043 t	0,064 t	0,021 t	0,093 t
Drivhuspotentiale (GWP):	1430			
Mål (B x H x D) i mm:	375x350x25	255x210x90	450x270x340	365x140x270
Vægt:	1,5 kg	1,5 kg	2,0 kg	2,0 kg

	<b>VD-14N</b>	<b>VD-15</b>	<b>VD-18</b>
Maks. indhold for køleområdet ved 35 mm PU-isolering:	300 liter	200 liter	100 liter
Maks. indhold for køleområdet ved 50 mm PU-isolering:	400 liter	250 liter	150 liter

	<b>VD-14N</b>	<b>VD-15</b>	<b>VD-18</b>
Effektforbrug:	80 W	60 W	45 W
Spænding	12 V <sup>===</sup> eller 24 V <sup>===</sup>		
Kølemiddelmængde:	15 g		
CO <sub>2</sub> -ækvivalent:	0,021 t		
Drivhuspotentiale (GWP):	1430		
Mål (B x H x D) i mm:	220x275x65	220x275x65	350x250x25
Vægt:	2,5 kg	1,5 kg	1,5 kg

	<b>VD-16</b>	<b>VD-21</b>
Maks. indhold for køleområdet ved 60 mm PU-isolering:	130 liter	250 liter
Maks. indhold for køleområdet ved 100 mm PU-isolering:	200 liter	300 liter
Effektforbrug:	60 W	60 W
Spænding	12 V <sup>===</sup> eller 24 V <sup>===</sup>	
Kølemiddelmængde:	40 g	10 g
CO <sub>2</sub> -ækvivalent:	0,057 t	0,014 t
Drivhuspotentiale (GWP):	1430	
Mål (B x H x D) i mm:	330x260x130	1370x305x10
Vægt:	2,5 kg	4,0 kg

	<b>VD-16 til serie 80</b>	<b>VD-16 til serie 90</b>
Maks. indhold for køleområdet ved 35 mm PU-isolering:	120 liter	200 liter
Maks. indhold for køleområdet ved 50 mm PU-isolering:	200 liter	250 liter
Effektforbrug:	65 W	80 W
Spænding	12 V <sup>===</sup> eller 24 V <sup>===</sup>	
Kølemiddelmængde:	40 g	

	<b>VD-16 til serie 80</b>	<b>VD-16 til serie 90</b>
CO2-ækvivalent:	0,057 t	
Drivhuspotential (GWP):	1430	
Mål (B x H x D) i mm:	380x300x62	
Vægt:	5,0 kg	

**Godkendelse/certifikater:**

Kølekredsløbet indeholder R-134a.

Indeholder fluorerede drivhusgasser

Läs och följ noggrant alla instruktioner, direktiv och varningar i den här produkthandboken för att säkerställa att du alltid installerar, använder och underhåller produkten på rätt sätt. Dessa instruktioner MÅSTE förvaras tillsammans med produkten.

Genom att använda produkten bekräftar du härmed att du noggrant har läst alla instruktioner, direktiv och varningar och att du förstår och är införstådd med att följa de villkor som anges häri. Du är införstådd med att endast använda denna produkt i avsett syfte och i enlighet med instruktionerna, direktiven och varningarna som anges i denna produkthandbok samt i enlighet med alla gällande lagar och bestämmelser. Om du inte läser och följer instruktionerna och varningarna som anges här kan det leda till personsador på dig eller andra, på produkten eller annan egendom i närheten. Denna produkthandbok, inklusive instruktionerna, direktiven och varningarna samt relaterad information, kan ändras och uppdateras. För uppdaterad produktinformation, besök [dometic.com](http://dometic.com).

## Innehållsförteckning

1	Förklaring av symboler . . . . .	206
2	Säkerhetsanvisningar . . . . .	207
3	Leveransomfattning. . . . .	209
4	Tillbehör . . . . .	209
5	Avsedd användning . . . . .	209
6	Teknisk beskrivning. . . . .	210
7	Installera kylaggregatet. . . . .	211
8	Använda kylaggregatet. . . . .	218
9	Använda kylackumulator. . . . .	220
10	Garanti. . . . .	221
11	Avfallshantering. . . . .	221
12	Felsökning. . . . .	222
13	Tekniska data. . . . .	224

## 1 Förklaring av symboler



### FARA!

**Säkerhetsanvisning** för en farlig situation som, om den inte går att undvika, ger upphov till dödsfall eller allvarliga personsador.



### VARNING!

**Säkerhetsanvisning** för en farlig situation som, om den inte går att undvika, kan ge upphov till dödsfall eller allvarliga personsador.

**AKTA!**

**Säkerhetsanvisning** för en farlig situation som, om den inte går att undvika, kan ge upphov till en lindrig eller måttlig personskada.

**OBSERVERA!**

Anvisning för en situation som, om den inte går att undvika, kan ge upphov till materiella skador.

**ANVISNING**

Kompletterande information om användning av produkten.

## 2 Säkerhetsanvisningar

### 2.1 Allmänna säkerhetsanvisningar

**FARA!**

- **Risk för dödliga skador!**

**Vid användning av apparaten på båtar:** Om apparaten strömförsörjs via elnätet ska man kontrollera att elförsörjningen har en jordfelsbrytare!

**VARNING!**

- Denna apparat får endast installeras och repareras av kvalificerade tekniker. Felaktigt utförda reparationer kan leda till betydande faror. Vänd dig till kundtjänsten när det gäller reparationer.
- Om apparaten uppvisar synliga skador får den ej tas i drift.
- Öppna aldrig kylkretsloppet. Detta gäller dock inte om apparaten behöver kopplas bort på grund av returnering (kapitel "Installera det externa temperaturreglaget" på sidan 214).
- Ställ apparaten i ett torrt utrymme, se till att den skyddas mot vattenstänk.
- Ställ inte upp apparaten i närheten av öppen eld eller andra värmekällor (värmeelement, starkt solljus, gasspisar osv.).
- Kontrollera att kompressorn har tillräckligt med ventilation.
- **Elapparater är inga leksaker!**  
Förvara och använd apparaten utom räckhåll för barn.

- Personer (och barn), som på grund av fysiska, sensoriska eller mentala funktionshinder eller på grund av bristande erfarenhet eller kunskap inte kan använda produkten på ett säkert sätt, bör inte använda denna produkt utan uppsikt eller hjälp av en ansvarig person.
- Kontrollera att driftspänningen och batterispänningen stämmer överens innan apparaten tas i drift första gången (se typskylten).
- Om anslutningskabeln är skadad måste den ersättas, annars äventyras den elektriska säkerheten. Byt endast ut en skadad anslutningskabel mot en anslutningskabel av samma typ och med samma specifikationer.
- Lagra inga ämnen som kan explodera i apparaten, som t.ex. sprayburkar med drivgas.

## 2.2 Säkerhet vid användning av apparaten



### **FARA! Risk för dödliga skador!**

- Ta inte tag i avskalade ledningar med händerna. Detta gäller framför allt när apparaten drivs med växelspanning från elnätet.



### **OBSERVERA!**

- Använd aldrig rengöringsmedel med sand, syror eller lösningsmedel för att rengöra förångaren.
- Skydda apparaten mot regn och fukt.
- Koppla bort kylaggregatet och andra förbrukare från batteriet innan en snabbbladdare ansluts.



### **ANVISNING**

- Koppla bort apparaten om du inte har för avsikt att använda den under en längre tid.

## 2.3 Säkerhet vid hantering av batterier



### **AKTA! Risk för skada!**

- Batterier innehåller aggressiva och frätande syror. Undvik kontakt med batterivätskan. Om huden kommer i kontakt med batterivätska ska stället på kroppen rengöras noggrant med vatten.
- Om apparaten ska drivas med batteri, se till att batterisyran inte kan komma i kontakt med livsmedlen.



### 3 Leveransomfattning

Mängd	Beskrivning
1	Kylaggregat eller förångare
1	Bruksanvisning

### 4 Tillbehör

Använd någon av de nedanstående likriktarna om du vill använda 230 V växelström för att driva kylaggregatet.

Finns som tillbehör (ingår inte i leveransen):

Beskrivning	Artikelnummer
CoolPower EPS100-likriktare För apparater med BD35F-kompressor (50/80/CS/CS-serien)	9600000440
CoolPower MPS35-likriktare För apparater med BD35F-kompressor (50/80/CS/CS-serien)	9600000445
CoolPower MPS50-likriktare För apparater med BD50F-kompressor (90-serien)	9600000441

### 5 Avsedd användning

Aggregatet är avsett att användas om man vill bygga sitt eget kylskåp eller sin egen kylbox.

Kylaggregatet är avsedd för kylning och djupfrysning av livsmedel. Den kan även användas på båtar.

Den här produkten lämpar sig endast för avsedd användning i enlighet med denna bruksanvisning.

Den här manualen informerar om vad som krävs för att installera och/eller använda produkten på rätt sätt. Felaktig installation och/eller användning eller felaktigt underhåll kommer leda till att produkten inte fungerar optimalt och riskerar gå sönder.

Tillverkaren åtar sig inget ansvar för personskador eller materiella skador på produkten som uppstår till följd av:

- Felaktig montering eller anslutning, inklusive för hög spänning

- Felaktigt underhåll eller användning av reservdelar som inte är originaldelar från tillverkaren
- Ändringar som utförts utan uttryckligt medgivande från tillverkaren
- Användning för andra ändamål än de som beskrivs i denna bruksanvisning

Dometic förbehåller sig rätten att ändra produktens utseende och specifikationer.

## 6 Teknisk beskrivning

Kylaggregaten kan anslutas till 12 V- eller 24 V-likström och kan alltså användas för camping eller på båtar. Det går dessutom att ansluta dem till 230 V-nätet med hjälp av likriktarna (se kapitel "Tillbehör" på sidan 209).

Aggregaten tål konstant krängning på 30° vid användning på båtar.

Kylaggregatet måste användas tillsammans med en förångare. Dessutom kan du använda en ackumulator med eller utan TEC-styrning. **CS-NC15** består av ett kylaggregat och en förångare.

Använd termostaten för steglös inställning av temperaturen på förångaren.

Ackumulatorn och TEC-programstyrningen säkerställer hög kyl effekt och förbättrar enhetens effektivitet. Ackumulatorn laddas när strömförsörjningen är tillräcklig (exempelvis vid drivning via nätadapter). Om ackumulator används, eller vid under spänning, tas köldmediet från ackumulatorn tills den är tom. Det innebär att ingen ström tas från batteriet under den här tiden.

TEC-programstyrningen säkerställer alltid följande:

- Kylenergi lagras om det finns ett överskott av elenergi (extern strömförsörjning med generator).
- Kylackumulatorn kan när som helst användas för att se till att hela batteriströmmen används för andra förbrukare.
- Lagrad kylenergi hämtas automatiskt för att bevara kylområdet innerkyltemperatur när batteriet är tomt.



### ANVISNING

Mer information om kylackumulatorn finns i kapitel "Använda kylackumulator" på sidan 220.

## 6.1 Batterivakt

Kylapparaten är försedd med en elektronisk anordning som skyddar mot omvänd polaritet när man ansluter till ett batteri. Som skydd för batteriet stängs kylapparaten av automatiskt om spänningen inte längre räcker till (se den nedanstående tabellen).

### Apparater utan TEC-styrning

Anslutningsspänning	Frånkopplingsspänning	Återinkopplingsspänning
12 V	10,4 V	11,7 V
24 V	22,8 V	24,2 V

### Apparater med TEC-styrning

Anslutningsspänning	Frånkopplingsspänning	Återinkopplingsspänning
12 V	10,7 V	13,0 V
24 V	22,0 V	26,0 V

## 7 Installera kylaggregatet



### VARNING!

Denna installation får endast utföras av kvalificerade tekniker.

### 7.1 Verktyg

För **installation och montering** krävs nedanstående verktyg:

- Borrmaskin
- Skruvmejsel
- U-nycklar: 16 mm, 19 mm och 21 mm
- Tätningsmassa och monteringskum
- Kabel, kabelskor och kabelklammer
- Ester-olja

## 7.2 Information på kylbehållaren

### Tillåtet innehåll i kylområdet

Kontrollera att det angivna maximala innehållet i kylområdet inte överskrider för de olika typerna av förångare (se kapitel "Tekniska data" på sidan 224).

### Minsta isolering

Det maximala innehållet i kylområdet baseras på en minimal isoleringstjocklek på 35 mm polyuretanskum med en densitet på 40 kg/m<sup>3</sup>. Vid användning av andra isoleringsmaterial som frigolit, måste väggstjockleken vara dubbelt så stor för att man ska uppnå samma värmeisoleringseffekt.

### Montera förångaren

Förångaren måste installeras i kylbehållaren (gäller inte **CS-NC15** där förångaren är förmonterad).

Observera följande:

- Rätt monteringsläge (bild **3**, sida 4 upp till bild **9**, sida 6)
- Placering så långt upp som möjligt i kylbehållaren
- Montera minst 10 mm från väggen (**inte VD-14N och VD-15**).



#### **OBSERVERA!**

För kylaggregat utan ventilkopplingar (enheter klara att installeras): Öppna inte köldmediekretsen vid installationen. Du måste göra väggöppningarna större så att det går att föra igenom förångaren (bild **11**, sida 6). Alternativt kan du göra en öppning som gör det möjligt att montera kylledningarna längst upp (bild **12**, sida 6).

### Ansluta förångaren

- ▶ Anslut förångarna **VD-14N och VD-15** enligt bild **10**, sida 6.
- ▶ Anslut förångaren **VD-16** enligt bild **9**, sida 6.
- ▶ Anslut övriga förångare enligt bild **19**, sida 9.

## Förklaringar till bilderna

Nr på bild <b>8</b> , sida 5	Förklaring
1	Likströmsfläkt
2	Termostatknapp
3	Anslutningskontakt för likströmsfläkt
4	Termostat
5	Anslutningskabel

Nr på bild <b>9</b> , sida 6	Förklaring
1	Anslutningskabel

Nr på bild <b>10</b> , sida 6	Förklaring
1	Anslutningskabel

Nr på bild <b>19</b> , sida 9 och bild <b>20</b> , sida 9	Förklaring
1	Anslutningsblock
2	Kompressor
3	Fläkt
4	Brytare bild <b>19</b> eller TEC-reglage bild <b>20</b>



### OBSERVERA!

Isolera noggrant och täta väggöppningarna efter installationen för att förhindra inträngande fukt.

## För kylaggregat med ventilkopplingar

- Skär ut ett hål med minst 30 mm (bild **13**, sida 7) diameter för kylledningarna. Använd en cirkelskärare för detta.

**OBSERVERA!**

Böj aldrig anslutningsledningen mellan förångaren och enheten. Minsta böjradie är 25 mm.

### 7.3 Installera aggregatet

Det är viktigt att man väljer korrekt installationsplats för enheten. Observera de nedanstående punkterna så att enheten fungerar korrekt:

- Ställ aggregatet i ett torrt, skyddat utrymme. Ställ den inte i närheten av värmekällor som element, gasugnar eller varmvattenledningar. Placera inte i direkt solsken.
- På en båt, ska man, om möjligt, installera aggregatet under vattenlinjen.
- Kylaggregatet fungerar upp till 30° lutning. Installera på en plan yta för att garantera en funktion även under stark krängning.
- Den uppvärmda luften måste avledas utan hinder (bild **14**, sida 7).
- Om man installerar aggregatet i ett stängt utrymme, som till exempel i en garderob, ett pentry eller ett akterutrymme, måste öppningarnas area vara minst 200 cm<sup>2</sup> (25 cm x 8 cm) för kyl- och utloppsluft.
- Kontrollera att luftflödet på kondensorn (bild **14** C, sida 7) inte hindras.
- Iaktta ett minsta avstånd på 50 mm mellan kondensatorn och den angränsande väggen.
- **CS-NC15:** Följ bormallen (bild **21**, sida 11) och monteringsritningen (bild **22**, sida 12).

### 7.4 Installera det externa temperaturreglaget

#### Mekanisk termostat

Temperaturreglaget kan monteras antingen på utsidan eller insidan av kylbehållaren. Innertemperaturen regleras beroende av förångarens ytemperatur, eller **för VD-14N och VD-15**, beroende på rumstemperaturen.

- ▶ Anslut sensor-kabelns lindade ände till förångaren (bild **15**, sida 8, **inte VD-14N, VD-15**) med fästplattan. Denna är förmonterad på **VD-14N, VD-15**.
- ▶ Se till att sensorledningen inte har någon kontakt med förångaren eller sugledningen någon annanstans.

## TEC-styrning

TEC-styrningen måste monteras utanför kylbehållaren. Innertemperaturen regleras i enlighet med förångarens yttemperatur.

Temperaturgivaren är fabriksmonterad på ackumulatorn.

- Anslut temperaturgivaren till TEC-styrningen via instickskopplingen.

## Montera engångskopplingarna (inte CS-NC15)



### OBSERVERA!

Endast personer som är kvalificerade och kompetenta inom kylteknik får ansluta engångskopplingarna. De allmänna bestämmelserna för hantering av köldmedium måste följas!

Engångskopplingarna är endast avsedda att ansluta kylaggregaten en enda gång. Att öppna kopplingarna eller ansluta dem felaktigt leder till total köldmedieförlust och till att kylaggregatet slutar fungera!

I ett sådant fall måste de två tidigare anslutna delarna av kylaggregatet demonteras och skickas in. På fabriken byts engångskopplingarna ut och produkten fylls på med nytt köldmedium.

De två komponenterna i kylaggregatet – förångaren och kompressorkondensorenheten – levereras separat. Komponenterna ansluts med engångskopplingar. Köldmediemängden som krävs för att driva hela kylaggregatet finns redan i de två komponenterna. Någon ytterligare påfyllning behövs därför inte.

- Montera samman kompressorkondensorenheten och förångarenheten.
- Ta bort skyddshättorna från de oanslutna halvorna av engångskopplingen till kompressorkondensorenheten och förångarenheten.
- Rengör noggrant kopplingens säte och den gängytan så att inte smuts eller främmande föremål kan komma in i systemet.



### OBSERVERA! Risk för läckage av köldmedium

- Använd alltid två nycklar när du drar åt engångskopplingarna så att inte rören förvrids!
- Det är inte tillåtet att återanvända engångskopplingarna!
- Bestäm vilken av de två engångskopplingarna som är svårast att nå med nyckeln och anslut den först.
- Anslut alltid endast en engångskoppling och därefter den andra.

**ANVISNING**

O-ringen är bara en tillfällig tätning medan den första anslutningen av engångskopplingarna pågår. O-ringen används enbart för den första tätningen, mellan håltagningen i membranet och den slutliga metalltätningen. En läckagefri tätning uppnås bara med en metallanslutning mellan de två kopplingshalvorna.

- ▶ Stryk på köldmedieolja på de inre och yttre gängorna och på de inre splintarna (bild **16**, sida 8).
- ▶ Anslut de två halvorna och skruva ihop dem för hand först (bild **17**, sida 8). Använd inte nyckel!

**Engångskoppling med anslutningsmutter:**

- ▶ Skruva på kopplingshalvan med anslutningsmuttern, en 21 mm nyckel och en 19 mm nyckel upp till gängans ände eller tills du känner ett tydligt motstånd. Dra inte åt skruvanslutningen än.

Nyckelstorleken 19 mm är en riktlinje när anslutningsmuttern skruvas på.

**Anslutning av engångskopplingen med extern gänga:**

- ▶ Skruva på kopplingshalvan med anslutningsmuttern, en 21 mm nyckel och en 16 mm nyckel upp till gängans ände eller tills du känner ett tydligt motstånd. Dra inte åt skruvanslutningen än.

Nyckelstorlek 16 mm används för mothåll när anslutningsmuttern skruvas på.

- ▶ Använd en penna och dra en linje i längsled från anslutningsmuttern till fästet för den motsatta kopplingshalvan.
- ▶ Dra nu åt anslutningsmuttern ordentligt med 30 Nm eller ett ytterligare 1/4 varv. Förskjutningen av linjen visar hur kraftigt engångskopplingen drogs åt. Det sista varvet krävs för att säkerställa en läckagefri anslutning mellan de båda kopplingshalvorna.

**ANVISNING**

Avståndet mellan början av anslutningsmuttern och sexkanten på den externa gängan får inte överstiga 3 mm (bild **17**, sida 8).

- ▶ Gör ett läckagetest på kopplingsanslutningarna. Detta säkerställer att engångskopplingarna är rätt anslutna och att tätningen fungerar.



## 7.5 Ansluta aggregatet

### Ansluta till ett batteri

Kylaggregatet kan anslutas till 12 V- eller 24 V-likspänning.



#### OBSERVERA!

Använd kortast möjliga kabel och bryt inte av den så att du inte drabbas av spännings- och effektförluster.

Undvik därför ytterligare brytare, kontakter och fördelningsdosor.

- Bestäm kabelarean så att den passar till kabellängden, se bild **18**, sida 8.  
Teckenförklaring till bild **18**, sida 8

Koordinataxel	Betydelse	Enhet
I	Kabellängd	m
Ø	Kabelarea	mm <sup>2</sup>



#### OBSERVERA!

Beakta polariteten.

- Kontrollera att driftspänningen och batterispänningen stämmer överens innan apparaten tas i drift (se typskylten).
- Anslut aggregatet
  - om möjligt direkt till batteripolerna eller
  - till en anslutning som säkras med minst 15 A (vid 12 V) eller 7,5 A (vid 24 V).



#### OBSERVERA!

Koppla bort kylapparaten och andra förbrukare från batteriet innan en snabbbladdare ansluts. Överspänning kan skada apparatens elektronik.

Av säkerhetsskäl är aggregatet utrustat med ett elektroniskt system för att förhindra att polerna omvänds. Vid anslutning till ett batteri skyddas aggregatet på det här sättet.

## Ansluta till 230 V-nätspänning



### VARNING!

- Ta inte i brytare eller kontakter med våta händer eller om du står på ett fuktigt underlag.
- Om man använder kylapparaten på en båt med en elanslutning på 230 V från land, måste man installera en jordfelsbrytare mellan 230 V-nätet och kylapparaten.  
Kontakta en behörig elektriker.

- ▶ Driv kylaggregatet med 230 V-nätspänning genom att använda likriktare
  - CoolPower EPS100 för apparater med BD35F-kompressor (50/80/CS/CS-serien),
  - CoolPower MPS35 för apparater med BD35F-kompressor (50/80/CS/CS-serien),
  - CoolPower MPS50 för apparater med BD50F-kompressor (90-serien).



### ANVISNING

Den beskrivna likriktarens utspänning är 24 V. Detta är viktigt att komma ihåg när man ansluter andra förbrukare vid ett senare tillfälle.

## 8 Använda kylaggregatet

### 8.1 Tips för att spara energi

- Välj en installationsplats med god ventilation som är skyddad mot direkt solljus.
- Låt varm mat svalna innan du ställer in den i kylapparaten.
- Öppna inte kylbehållaren oftare än nödvändigt.
- Låt inte dörren vara öppen längre än nödvändigt.
- Frosta av kylbehållaren så snart det bildas is i den.
- Undvik onödigt låga temperaturer.
- Rengör kondensatorn genom att med jämna mellanrum ta bort damm och smuts.
- Rengör med jämna mellanrum lockets tätning.

## 8.2 Starta aggregatet

### Apparater utan TEC-styrning

- ▶ Koppla in kylaggregatet genom att vrida reglaget medurs (bild **1** A1 eller B1, sida 3).

Om man fortsätter att vrida på reglaget är det möjligt att reglera temperaturen. Apparater med energisparfunktion har en energisparaktiveringsknapp (bild **1** A2, sida 3).



#### ANVISNING

Om den röda lysdioden blinkar eller lyser har ett fel inträffat och systemet kan inte användas (se feltabell i kapitel kapitel "Lysdiod på termoelementet (bild **1** 2, sida 3)" på sidan 222).

### Apparater med TEC-styrning

Apparater med TEC-styrning startas med huvudbrytaren (bild **2** 6, sida 3). Därefter kan du ställa in temperaturen (bild **2** 5, sida 3) med temperaturväljaren.

## 8.3 Stänga av aggregatet

Om kylaggregatet ska stå oanvänt under en längre tid:

- ▶ **Apparater utan TEC-styrning:** Vrid reglaget till 0.
- ▶ **Apparater med TEC-styrning:** Stäng av apparaten med huvudbrytaren (bild **2** 6, sida 3).
- ▶ Koppla bort nätkabeln från batteriet eller dra ut likströmkabelns kontakt från likriktaren.
- ▶ Rengöra aggregatet.
- ▶ Lämna dörren lite på glänt över skyddet.  
Detta gör att det inte alstras lukt.

## 9 Använda kylackumulator

### 9.1 Displayer och reglage på apparater med TEC-programstyrning

Nr på bild <b>2</b> , sida <b>3</b>	Förklaring
1	Grön lysdiod: Visar att kompressorn arbetar.
2	Gul lysdiod: visar att extern strömförsörjning finns (spänningen är över 13,5 V eller 27,0 V). Lysdioden blinkar om den externa strömförsörjningen är för låg (spänning $\leq 10,7$ V eller 21,7 V. Version E: $\leq 10,7$ V eller 22,0 V).
3	Röd lysdiod: visar att ackumulatortöms eftersom <ul style="list-style-type: none"> <li>• tömningsknappen har tryckts in</li> <li>• Lågspänningsavstängning (spänning <math>\leq 10,7</math> V eller 21,4 V. Version E: <math>\leq 10,7</math> V eller 22,0 V).</li> </ul>
4	Ackumulatortömningsknapp: avbryter kompressordriften tills <ul style="list-style-type: none"> <li>• den lagrade kylenergin är slut</li> <li>• Den externa spänningsförsörjningen återställs efter låg spänning.</li> </ul>
5	Temperaturväljare: med denna kan temperaturen i kylområdet ställas in efter behov Min. (vänster gräns) = varmaste inställningen Max. (höger gräns) = kallaste inställningen
6	Huvudbrytare: för att slå på och av kylapparaten. Läge 0 = AV Läge – = PÅ

### 9.2 Ackumulatorfunktion

Akkumulatorfunktionen ser till att kylenergi lagras automatiskt (upp till 8 timmar) om det finns tillräckligt mycket el, exempelvis vid försörjning via nätadapter.

Lagrad kylenergi töms

- automatiskt när avstängningsspänningen nås (se tabellen på sida 211)
- eller manuellt genom att man trycker på tömningsknappen (bild **1** A2 eller bild **2** 4, sida 3).

**ANVISNING**

Kylackumulatort kan bara tömmas manuellt om den dessförinnan var helt fylld.

Ackumulatort fylls automatiskt om

- omstartspänningen nås
- Eller ackumulatort är tom och du slår av och sedan på apparaten igen med reglaget (bild **2** 6, sida 3, fungerar bara på VD-06).

**OBSERVERA!**

När du tömmer ackumulatort även om det finns en extern strömförsörjning – exempelvis för att undvika buller från kompressort – använder du huvudbrytare för att stänga av aggregatet (bild **1** B1 eller bild **2** 6, sida 3).

**ANVISNING**

Kom ihåg: Låg innertemperatur = hög strömförbrukning!

## 10 Garanti

Den lagstadgade garantitiden gäller. Om produkten är defekt: kontakta tillverkarens kontor i ditt land (se [dometic.com/dealer](http://dometic.com/dealer)) eller återförsäljaren.

Vid reparations- resp. garantiärenden ska följande skickas med:

- en kopia på fakturan med inköpsdatum,
- en reklambeskrivning/felbeskrivning.

## 11 Avfallshandling

- ▶ Lämna om möjligt förpackningsmaterialet till återvinning.



När produkten slutgiltigt tas ur bruk: informera dig om gällande bestämmelser hos närmaste återvinningscentral eller hos återförsäljaren.

## 12 Felsökning

### Lysdiod på termoelementet (bild **1** 2, sida 3)

Antal blinkningar	Feltyp	Åtgärd
1	Batteriskyddsavstängning	Kontrollera batterispänning, säkring och kabelns tvärsnittsarea
2	Fläktavstängning pga överspänning	Kontrollera kondensor- och förångarfläktström: Totalt börvärde < 0,5 A
3	Startfel i kompressorn	Minska lasten på kylsystemet: <ul style="list-style-type: none"> <li>• Säkerställ god ventilation runt kylaggregatet</li> <li>• Förvara varor som redan är kylda</li> </ul>
4	Kompressoravstängning överbelastning	Minska lasten på kylsystemet: <ul style="list-style-type: none"> <li>• Säkerställ god ventilation runt kylaggregatet</li> <li>• Förvara varor som redan är kylda</li> </ul>
5	Elektronisk säkringsavstängning	Minska lasten på kylsystemet: <ul style="list-style-type: none"> <li>• Säkerställ god ventilation runt kylaggregatet</li> </ul>

### Kompressorn går inte

Fel	Möjlig orsak	Åtgärd
$U_T = 0V$	Anslutningen mellan batteriet och – elektroniken är bruten	Upprätta en anslutning
	Huvudbrytare defekt (i förekommande fall)	Byt huvudbrytare
	Extra säkring utlöst (om sådan finns)	Byta säkringen
$U_T \leq U_{P\dot{A}}$	Batterispänningen är för låg	Ladda batteriet
Startförsök med $U_T \leq U_{AV}$	Lösa kablar	Upprätta en anslutning
	Dålig kontakt (korrosion)	
	Batterikapaciteten är för dålig	Byt batteri
	För låg kabelarea	Byta kabel (bild <b>18</b> , sida 8)

Fel	Möjlig orsak	Åtgärd
Startförsök med $U_T \geq U_{pA}$	Omgivningstemperaturen är för hög	–
	Otillräcklig ventilation och/eller kyleffekt	Förbättra aggregatets ventilation
	Kondensatorn smutsig	Rengör kondensatorn
	Fläkt defekt (om sådan finns)	Byt fläkten

$U_T$  Spänning mellan de positiva och negativa elplintarna

$U_{ON}$  Startspänning för elektroniken

$U_{OFF}$  Frånkopplingsspänning för elektroniken

### Temperaturen i aggregatet är för låg när reglaget står på 1

Fel	Möjlig orsak	Åtgärd
Kompressorn går hela tiden	Termostatsensorn har ingen kontakt på förångaren	Sätt fast sensorn
	Fel på termostat	Byt ut termostaten
Kompressorn är igång länge	Stora mängder i frysfacket	–

### Avtagande kyleffekt, ökande temperatur inuti aggregatet

Fel	Möjlig orsak	Åtgärd
Kompressorn är igång för länge/oavbrutet	Förångaren är nedisad	Frosta av förångaren
	Omgivningstemperaturen är för hög	–
	Otillräcklig ventilation och/eller kyleffekt	Förbättra kylaggregatets ventilation
	Kondensatorn smutsig	Rengör kondensatorn
	Fläkt defekt (om sådan finns)	Byt fläkten
Kompressorn körs sällan	Batterikapaciteten är uttömd	Ladda batteriet

## Ovanliga ljud

Fel	Möjlig orsak	Åtgärd
Högt brummande	En komponent i köldmediekretsen kan inte röra sig fritt (ligger mot väggen)	Böj ut komponenten försiktigt
	Främmande objekt sitter fast mellan aggregatet och väggen	Ta bort det främmande föremålet
	Oljud från fläkten (om sådan finns)	Rengör fläktbladen

## 13 Tekniska data

	50	54	55
Max. tillåtet innehåll i kylområdet:	80 liter	130 liter	
Anslutningsspänning:	12 V <sub>AC</sub> eller 24 V <sub>AC</sub>		
Effektförbrukning:	35–40 W beroende på typ av förångare		
Mängd kylvätska:	28 g	35 g	
Motsvarande CO <sub>2</sub> :	0,040 t	0,050 t	
Global uppvärmningspotential (GWP):	1430		
Mått (B x H x D) i mm:	315 x 140 x 170	386x155x130	220x160x220
Vikt:	3,74 kg	6,0 kg	6,5 kg

	84	85	86
Max. tillåtet innehåll i kylområdet:	250 liter		
Anslutningsspänning:	12 V <sub>AC</sub> eller 24 V <sub>AC</sub>		
Mängd kylvätska:	45 g		
Motsvarande CO <sub>2</sub> :	0,064 t		
Global uppvärmningspotential (GWP):	1430		
Mått (B x H x D) i mm:	386x155x130	220x155x220	220x230x177
Vikt:	6,0 kg	6,0 kg	6,5 kg



	<b>94</b>	<b>95</b>	<b>96</b>
Max. tillåtet innehåll i kylområdet:	400 liter		
Anslutningsspänning:	12 V <sub>DC</sub> eller 24 V <sub>DC</sub>		
Mängd kylvätska:	60 g		
Motsvarande CO <sub>2</sub> :	0,086 t		
Global uppvärmningspotential (GWP):	1430		
Mått (B x H x D) i mm:	386x155x130	220x155x220	220x230x177
Vikt:	6,0 kg	6,0 kg	6,5 kg

	<b>CS-NC15</b>
Max. tillåtet innehåll i kylområdet:	250 liter
Anslutningsspänning:	12 V <sub>DC</sub> eller 24 V <sub>DC</sub>
Mängd kylvätska:	60 g
Motsvarande CO <sub>2</sub> :	0,086 t
Global uppvärmningspotential (GWP):	1430
Mått (B x H x D) i mm:	360x255x275
Vikt:	8,5 kg

	<b>VD-01</b>	<b>VD-02</b>	<b>VD-03</b>	<b>VD-04</b>
Max. tillåtet innehåll i kylområdet vid 35 mm polyuretanisolering:	80 liter	30 liter	170 liter	130 liter
Max. tillåtet innehåll i kylområdet vid 50 mm polyuretanisolering:	100 liter	50 liter	200 liter	170 liter
Effektförbrukning:	35 W	35 W	50 W	45 W
Spänning	12 V <sub>DC</sub> eller 24 V <sub>DC</sub>			
Mängd kylvätska:	17 g		20 g	30 g
Motsvarande CO <sub>2</sub> :	0,024 t		0,029 t	0,043 t
Global uppvärmningspotential (GWP):	1430			

	<b>VD-01</b>	<b>VD-02</b>	<b>VD-03</b>	<b>VD-04</b>
Mått (B x H x D) i mm:	300x245x110	275x215x25	380x230x82	375x255x100
Vikt:	1,5 kg	1,0 kg	2,0 kg	1,5 kg

	<b>CU-50 + VD-01</b>	<b>CU-50 + VD-02</b>	<b>CU-50 + VD-07</b>
Max. tillåtet innehåll i kylområdet vid 35 mm polyuretansolering:	50 liter	30 liter	60 liter
Max. tillåtet innehåll i kylområdet vid 50 mm polyuretansolering:	75 liter	50 liter	80 liter
Effektförbrukning:	30 W		
Temperatur:	omgivning: 32 °C, internt: 5 °C		

	<b>VD-05</b>	<b>VD-07</b>	<b>VD-08</b>	<b>VD-09</b>
Max. tillåtet innehåll i kylområdet vid 35 mm polyuretansolering:	130 liter	100 liter	160 liter	160 liter
Max. tillåtet innehåll i kylområdet vid 50 mm polyuretansolering:	170 liter	130 liter	180 liter	180 liter
Effektförbrukning:	45 W	35 W	60 W	60 W
Spänning	12 V <sup>===</sup> eller 24 V <sup>===</sup>			
Mängd kylvätska:	30 g	45 g	15 g	65 g
Motsvarande CO2:	0,043 t	0,064 t	0,021 t	0,093 t
Global uppvärmningspotential (GWP):	1430			
Mått (B x H x D) i mm:	375x350x25	255x210x90	450x270x340	365x140x270
Vikt:	1,5 kg	1,5 kg	2,0 kg	2,0 kg

	<b>VD-14N</b>	<b>VD-15</b>	<b>VD-18</b>
Max. tillåtet innehåll i kylområdet vid 35 mm polyuretansolering:	300 liter	200 liter	100 liter
Max. tillåtet innehåll i kylområdet vid 50 mm polyuretansolering:	400 liter	250 liter	150 liter

	<b>VD-14N</b>	<b>VD-15</b>	<b>VD-18</b>
Effektförbrukning:	80 W	60 W	45 W
Spänning	12 V <sup>===</sup> eller 24 V <sup>===</sup>		
Mängd kylvätska:	15 g		
Motsvarande CO2:	0,021 t		
Global uppvärmning- spotential (GWP):	1430		
Mått (B x H x D) i mm:	220x275x65	220x275x65	350x250x25
Vikt:	2,5 kg	1,5 kg	1,5 kg

	<b>VD-16</b>	<b>VD-21</b>
Max. tillåtet innehåll i kylområdet vid 60 mm polyuretanisolering:	130 liter	250 liter
Max. tillåtet innehåll i kylområdet vid 100 mm polyureta- nisolering:	200 liter	300 liter
Effektförbrukning:	60 W	60 W
Spänning	12 V <sup>===</sup> eller 24 V <sup>===</sup>	
Mängd kylvätska:	40 g	10 g
Motsvarande CO2:	0,057 t	0,014 t
Global uppvärmning- spotential (GWP):	1430	
Mått (B x H x D) i mm:	330x260x130	1370x305x10
Vikt:	2,5 kg	4,0 kg

	<b>VD-16 för serie 80</b>	<b>VD-16 för serie 90</b>
Max. tillåtet innehåll i kylområdet vid 35 mm polyuretanisolering:	120 liter	200 liter
Max. tillåtet innehåll i kylområdet vid 50 mm polyuretanisolering:	200 liter	250 liter
Effektförbrukning:	65 W	80 W
Spänning	12 V <sup>===</sup> eller 24 V <sup>===</sup>	
Mängd kylvätska:	40 g	

	<b>VD-16 för serie 80</b>	<b>VD-16 för serie 90</b>
Motsvarande CO2:	0,057 t	
Global uppvärmning- spotential (GWP):	1430	
Mått (B x H x D) i mm:	380x300x62	
Vikt:	5,0 kg	

**Provning/certifikat:**

Kylvätskekretsen innehåller R-134a.

Innehåller fluorerade växthusgaser

Vennligst les disse instruksjonene nøye og følg alle instruksjoner, retningslinjer og advarsler som er inkludert i denne produktveiledningen for å sikre at du installerer, bruker og vedlikeholder produktet ordentlig til enhver tid. Disse instruksjonene MÅ følge med dette produktet.

Ved å bruke dette produktet bekrefter du at du har lest alle instruksjoner, retningslinjer og advarsler nøye, og at du forstår og aksepterer å overholde betingelsene og vilkårene slik de er presentert her. Du godtar å bruke dette produktet kun til tiltenkt formål og anvendelse, og i samsvar med instruksjonene, retningslinjene og advarslene slik de er presentert i denne produktveiledningen, så vel som i samsvar med alle gjeldende lovbestemmelser og forskrifter. Hvis instruksjonene og advarslene som er presentert her, ikke blir lest og fulgt, kan dette resultere i personskader hos deg selv eller andre, skade på produktet eller skade på annen eiendom i nærheten. Denne produktveiledningen, inkludert instruksjonene, retningslinjene og advarslene, samt relatert dokumentasjon, kan være underlagt endringer og oppdateringer. For oppdatert produktinformasjon, se [dometic.com](http://dometic.com).

## Innhold

1	Symbolforklaringer . . . . .	229
2	Sikkerhetsregler . . . . .	230
3	Leveringsomfang . . . . .	232
4	Tilbehør . . . . .	232
5	Forskriftsmessig bruk . . . . .	232
6	Teknisk beskrivelse . . . . .	233
7	Installere kjøleaggregatet . . . . .	234
8	Bruke kjøleaggregatet . . . . .	241
9	Bruke kjølemiddelakkumulator . . . . .	242
10	Garanti . . . . .	244
11	Avfallsbehandling . . . . .	244
12	Feilretting . . . . .	244
13	Tekniske spesifikasjoner . . . . .	246

## 1 Symbolforklaringer



### FARE!

**Sikkerhetshenvisning** til en faresituasjon som fører til alvorlige personskader, eventuelt med døden til følge, dersom de ikke blir unngått.



### ADVARSEL!

**Sikkerhetshenvisning** til en faresituasjon som kan føre til alvorlige personskader, eventuelt med døden til følge, dersom de ikke blir unngått.

**FORSIKTIG!**

**Sikkerhetshenvisning** til en faresituasjon som kan føre til lette eller middels alvorlige personskader, dersom de ikke blir unngått.

**PASS PÅ!**

Henvisning til en situasjon som kan føre til tingskader dersom den ikke blir unngått.

**MERK**

Utfyllende informasjon om betjening av produktet.

## 2 Sikkerhetsregler

### 2.1 Grunnleggende sikkerhet

**FARE!**

- **Fare for livstruende skader!**

**Ved bruk av enheten på båter:** hvis enheten går på nettstrøm, må det sørges for at strømforsyningen har en jordfeilbryter!

**ADVARSEL!**

- Denne enheten skal kun installeres og repareres av kvalifiserte fagfolk. Utilstrekkelige reparasjoner kan medføre betydelige farer. Ta kontakt med kundeservice ved behov for reparasjon.
- Apparatet må ikke tas i bruk hvis det har synlige skader.
- Kjølekretsløpet må ikke åpnes under noen omstendigheter. Ett unntak er hvis enheten må frakobles for returnering (kapittel «Installere eksternt temperaturregulator» på side 237).
- Sett apparatet på et tørt sted som er beskyttet mot vannsprut.
- Ikke plasser apparatet i nærheten av åpen ild eller andre varmekilder (radiatorer, direkte sollys, gassovner osv.).
- Sørg for at kompressoren er tilstrekkelig ventilert.
- **Elektroniske apparater er ikke leketøy!**  
Oppbevar og bruk apparatet utenfor barns rekkevidde.

- Personer (også barn) som på grunn av sine fysiske, sensoriske eller mentale ferdigheter, eller på grunn av sin uerfarenhet eller manglende kjennskap, ikke er i stand til å bruke produktet på en sikker måte, må ikke bruke dette produktet uten oppsyn eller anvisning fra en ansvarlig person.
- Kontroller om driftsspenningen og batterispenningen stemmer overens (se merkeskiltet) før apparatet startes opp for første gang.
- Hvis tilkoblingskabelen er skadet, må den byttes for å unngå farer. Erstatt en skadet tilkoblingskabel kun med en tilkoblingskabel av samme type og med samme spesifikasjoner.
- Ikke lagre eksplosjonsfarlige stoffer, som f.eks. spraybokser med drivgass, i apparatet.

## 2.2 Sikkerhet ved bruk av apparatet



### **FARE! Fare for livstruende skader!**

- Ikke berør blanke ledninger med bare hender. Dette gjelder spesielt ved drift fra vekselstrømnettet.



### **PASS PÅ!**

- Bruk aldri rengjøringsmidler som inneholder sand, syrer eller løsemidler, for å rengjøre fordampere.
- Beskytt apparatet mot regn og fuktighet.
- Koble fra kjøleapparatet og andre forbrukere fra batteriet før du kobler til hurtigladeren.



### **MERK**

- Frakoble apparat hvis du ikke skal bruke det på en god stund.

## 2.3 Sikkerhetsregler ved håndtering av batterier



### **FORSIKTIG! Fare for personskader!**

- Batterier inneholder aggressive og etsende syrer. Unngå at batterivæske kommer i kontakt med kroppen. Hvis huden kommer i kontakt med batterivæske, må det aktuelle området av kroppen vaskes grundig med vann.
- Hvis du kobler apparatet til et batteri, må du forsikre deg om at matvarer ikke kommer i berøring med batterisyre.

### 3 Leveringsomfang

Antall	Beskrivelse
1	Kjøleaggregat eller fordamper
1	Bruksanvisning

### 4 Tilbehør

Hvis du ønsker å drive kjøleaggregatet fra 230 V vekselstrømmettet, må du bruke en av følgende likerettere.

Tilgjengelig som tilbehør (ikke inkludert i leveransen):

Beskrivelse	Artikkelnummer
CoolPower EPS100 likeretter For apparater med BD35F kompressor (serie 50 / 80 / CS / CS)	9600000440
CoolPower MPS35 likeretter For apparater med BD35F kompressor (serie 50 / 80 / CS / CS)	9600000445
CoolPower MPS50 likeretter For apparater med BD50F kompressor (serie 90)	9600000441

### 5 Forskriftsmessig bruk

Kjøleaggregatet er egnet for å bygge ditt eget kjøleskap eller kjøleboks.

Kjøleaggregatet er egnet for kjøling og frysing av matvarer. Apparatet er også egnet til bruk på båter.

Dette produktet er kun egnet for det tiltenkte formålet og anvendelsen i samsvar med disse instruksjonene.

Denne håndboken gir informasjon som er nødvendig for en ordentlig installasjon og/eller drift av produktet. Dårlig installasjon og/eller upassende drift eller vedlikehold vil resultere i en utilfredsstillende ytelse og en mulig svikt.

Produsenten påtar seg intet ansvar for personskader eller materielle skader på produktet som følge av:

- Ikke korrekt montering eller tilkobling, inkludert for høy spenning



- Ikke korrekt vedlikehold eller bruk av reservedeler foruten de originale reservedelene som leveres av produsenten
- Endringer på produktet uten at det er gitt uttrykkelig godkjenning av produsenten
- Bruk til andre formål enn det som er beskrevet i denne håndboken

Dometic forbeholder seg rettigheten til å endre produktet ytre og produktspesifikasjoner.

## 6 Teknisk beskrivelse

Kjøleaggregatene er egnet til å brukes på en likespenning på 12 V eller 24 V, og kan dermed brukes ved camping eller om bord på båter. Videre kan du koble dem til en 230 V strømforsyning via likerettere (se kapittel «Tilbehør» på side 232).

Ved bruk i båter tåler kjøleaggregatet en konstant krenkning på 30°.

Kjøleaggregatet må brukes sammen med en fordamper. I tillegg kan du bruke en akkumulator med eller uten TEC-kontrollenhet. **CS-NC15** omfatter et kjøleaggregat og en fordamper.

Temperaturen kan justeres trinnløst med temperaturregulatoren på fordamperen.

Akkumulatoren og TEC-programkontrollenheten sørger for en høy kjølekapasitet og forsikrer enhetens effektivitet. Akkumulatoren lades når det er en tilstrekkelig strømforsyning (for eksempel ved drift med nettadapter). Ved akkumulatorbruk eller underspenning, hentes kjølemiddelet fra akkumulatoren helt til den er tom. Dermed tapes ikke batteriet for strøm i denne perioden.

TEC-programkontrollenheten sørger alltid for at

- Kald energi lagres hvis det er overskudd av elektrisk energi (ekstern forsyning av strøm fra en generator)
- Kjølemiddelakkumulatoren kan brukes når som helst for å sikre at den komplette batteristrømmen brukes på andre forbrukere
- Lagret kald energi automatisk hentes opp for å bevare den innvendige kjøletemperaturen i kjøleområdet straks batterikapasiteten er oppbrukt



### MERK

Ytterligere informasjon om kjølemiddelakkumulatoren finner du i kapittel «Bruke kjølemiddelakkumulator» på side 242.

## 6.1 Batterivakt

Kjøleapparatet er utstyrt med en elektronisk enhet som beskytter det mot feil polaritet ved batteritilkobling. For å beskytte batteriet, kobles kjøleapparatet ut automatisk når spenningen ikke lenger er tilstrekkelig (se påfølgende tabell).

### Apparater uten TEC-kontrollenhet

Tilkoblingsspenning	Utkoblingsspenning	Gjeninnkoblingsspenning
12 V	10,4 V	11,7 V
24 V	22,8 V	24,2 V

### Apparater med TEC-kontrollenhet

Tilkoblingsspenning	Utkoblingsspenning	Gjeninnkoblingsspenning
12 V	10,7 V	13,0 V
24 V	22,0 V	26,0 V

## 7 Installere kjøleaggregatet



### ADVARSEL!

Installasjonen må kun utføres av kvalifisert fagpersonale.

### 7.1 Nødvendig verktøy

Til **installering og sammenmontering** trenger du følgende verktøy:

- Bormaskin
- Skrutrekker
- Gaffelnøkkel: 16 mm, 19 mm og 21 mm
- Tetningsmasse og monteringseskum
- Kabel, kabelsko og kabelklips
- Ester-olje

## 7.2 Merknader på kjølebeholderen

### Godkjent kjøleområdeinnhold

Sørg for at maksimalt kjøleområdeinnhold som er spesifisert, ikke overskrides for den respektive fordampertypen (se kapittel «Tekniske spesifikasjoner» på side 246).

### Minimum isolering

Det maksimale kjøleområdeinnholdet er basert på en minste isoleringstykkelse på 35 mm med polyuretanskum med en tetthet på 40 kg/m<sup>3</sup>. Hvis andre isoleringsmaterialer benyttes, slik som styroskum, dobler du veggtykkelsen for å oppnå samme nivå på varmeisoleringen.

### Montere fordamperen

Fordamperen må installeres i kjølebeholderen (unntatt for **CS-NC15**, fordamperen er forhåndsmontert).

Ta hensyn til følgende under prosessen:

- Korrekt installasjonsposisjon (fig. **3**, side 4 til fig. **9**, side 6)
- Organisering i kjølebeholderen så høyt oppe som mulig
- Installer minst 10 mm fra veggen (**gjelder ikke VD-14N og VD-15**)



#### PASS PÅ!

For kjøleaggregater uten ventilkoblinger (installasjonsklare enheter): Kjølekretsløpet må ikke åpnes under installasjon. Det kan være at du må gjøre veggåpningene større for å kunne skyve fordamperen gjennom dem (fig. **11**, side 6). Alternativt kan du lage en åpning som gjør at du kan installere kjøleledningene på toppen (fig. **12**, side 6).

### Tilkoble fordamperen

- ▶ Tilkoble fordamperne **VD-14N og VD-15** i samsvar med fig. **10**, side 6.
- ▶ Tilkoble fordamper **VD-16** i samsvar med fig. **9**, side 6.
- ▶ Tilkoble andre fordampere i samsvar med fig. **19**, side 9.

### Nøkler til illustrasjonene

Nr. i fig. <b>8</b> , side 5	Forklaring
1	Likestrømsvifte
2	Termostatknapp

**Nr. i fig. 8, side 5 Forklaring**

3 Tilkoblingsplugg for likestrømvifte

4 Termostat

5 Tilkoblingskabel

**Nr. i fig. 9, side 6 Forklaring**

1 Tilkoblingskabel

**Nr. i fig. 10, side 6 Forklaring**

1 Tilkoblingskabel

**Nr. i  
fig. 19, side 9 og  
fig. 20, side 9 Forklaring**

1 Koblingsblokk

2 Kompressor

3 Vifte

4 Bryter fig. 19 eller TEC-kontrollenhet fig. 20

**PASS PÅ!**

Isoler og tett veggåpningene forsiktig etter installasjon for å unngå inn-trengning av fuktighet.

**For kjøleaggregater med ventilkoblinger**

- Skjær et hull med en diameter på minst 30 mm (fig. 13, side 7) for kjøleledningene. Bruk en sirkelkniv.

**PASS PÅ!**

Bøy aldri forbindelsesledningen mellom fordampere og enheten. Minste bøyeradius er 25 mm.

**7.3 Installere kjøleaggregatet**

Det er viktig å velge passende plass for å sette opp aggregatet. For å sikre en problemfri drift må det tas hensyn til følgende punkter:

- Sett kjøleaggregatet på et tørt og beskyttet sted. Unngå å plassere det i nærheten av varmekilder som radiatorer, gassovner eller varme vannrør. Ikke utsett det for direkte sollys.
- På en båt installerer du om mulig aggregatet under vannflaten.
- Kjøleaggregatet fungerer ved en hellingsvinkel på opptil 30°. Installer det på en vannrett flate slik at det fortsatt går ved en sterk helling.
- Den oppvarmede luften må føres bort uten hindringer (fig. **14**, side 7).
- Hvis kjøleaggregatet installeres i et lukket rom, slik som en garderobe, pantry eller akterrom, må åpningene ha et tverrsnitt på minst 200 cm<sup>2</sup> (25 cm x 8 cm) for kjøle- og eksosluft.
- Sørg for at luftstrømmen på kondensatoren (fig. **14** C, side 7) ikke er innskrenket.
- Oppretthold en minsteavstand mellom kondensatoren og tilstøtende vegg på 50 mm.
- **CS-NC15:** Følg boremalen (fig. **21**, side 11) og installasjonstegningen (fig. **22**, side 12).

## 7.4 Installere eksternt temperaturregulator

### Mekanisk termostat

Temperaturregulatoren kan monteres enten på utsiden eller innsiden av kjølebeholderen. Den innvendige temperaturen reguleres avhengig av overflatetemperaturen på fordampere, eller avhengig av romtemperaturen **for VD-14N og VD-15**.

- ▶ Tilkoble spoleenden på sensorkabelen til fordampere (fig. **15**, side 8, **ikke VD-14N, VD-15**) ved hjelp av kleplaten. Denne er forhåndsmontert på **VD-14N, VD-15**.
- ▶ Sørg for at sensorledningen ikke kommer i kontakt med fordampere noe annet sted, eller med sugeledningen.

### TEC-kontrollenhet

TEC-kontrollenheten må festes på utsiden av kjølebeholderen. Den innvendige temperaturen reguleres i henhold til fordampere overflatetemperatur.

Temperatursensoren har blitt montert på akkumulatoren ved fabrikken.

- ▶ Tilkoble temperatursensoren til TEC-kontrollenheten med stikkoblingen.

**Montere enveiskoblingene (ikke CS-NC15)****PASS PÅ!**

Kun personer som er kompetente innen kjøleteknologi, skal tilkoble enveiskoblinger. De generelle retningslinjene for håndtering av kjølemiddel må følges!

Enveiskoblingene er bare egnet for tilkobling av kjøleenhetene én gang. Gjenåpning eller feilaktig tilkobling av koblingene fører til et fullstendig tap av kjølemiddelet og svikt på kjøleenheten!

I slike tilfeller må de to tidligere tilkoblede delene på kjøleenheten demonteres og sendes inn. Ved fabrikken fornyes enveiskoblingene og produktet fylles opp med kjølemiddel igjen.

De to komponentene på kjøleenheten – fordampere og kompressor-kondensator-enheten – leveres separat. Komponentene er forbundet med enveiskoblinger. Mengden kjølemiddel som er nødvendig for å betjene hele kjøleenheten, befinner seg allerede i de to komponentene. Det er derfor ikke nødvendig med en senere påfylling av kjølemiddel.

- ▶ Monter sammen kompressor-kondensator-enheten og fordampere-enheten.
- ▶ Fjern beskyttelsesdekslene og pluggene som ikke er tilkoblet, fra halvdelene på enveiskoblingen til kompressor-kondensator-enheten og fordampere-enheten.
- ▶ Rengjør koblingssettet og den gjengede overflaten forsiktig for å unngå at smuss og fremmedlegemer kommer inn i systemet.

**PASS PÅ! Fare for kjølemiddellekkasje**

- Bruk alltid to skiftnøkler for å stramme enveiskoblingene slik at du unngår vridning på rørene!
- Gjenbruk av enveiskoblingene er ikke tillatt!
- Finn ut hvilken av de to enveiskoblingene som er mest utligjengelig for skiftnøkkelen, og forbinde den først.
- Forbind alltid bare en enveiskobling om gangen.

**MERK**

O-ringen er bare en midlertidig tetning under den initielle forbindelsen av enveiskoblingene. O-ringen brukes bare for initieell tetning mellom hullet på membranen og den endelige metalliske tetningen. En lekkasjefri tetning oppnås kun av en metallisk forbindelse mellom de to koblingsdelene.

- ▶ Påfør kjølemiddelolje på de innvendige og utvendige gjengene, og på de innvendige dorene (fig. 16, side 8).

- Forbind koblingens to halvdelar og skru dem sammen for hånd til å begynne med (fig. **17**, side 8). Ikke bruk en skiftnøkkel!

### Enveiskobling med overfalsmutter:

- Skru på koblingshalvdelen og overfalsmutteren med en skiftnøkkel på 21 mm og en på 19 mm, opp til enden på gjengen eller til du merker en tydelig motstand. Ikke stram til skruforbindelsen ennå.

Skiftnøkkelen på 19 mm tjener som guide når du skrur på overfalsmutteren.

### Tilkobling av enveiskoblingen med ekstern gjenge:

- Skru på koblingshalvdelen og overfalsmutteren med en skiftnøkkel på 21 mm og en på 16 mm, opp til enden på gjengen eller til du merker en tydelig motstand. Ikke stram til skruforbindelsen ennå.

Skiftnøkkelen på 16 mm brukes for å holde imot når du skrur til overfalsmutteren.

- Bruk en blyant for å lage en langsgående strek fra overfalsmutteren til braketten på motsatte koblingshalvdel.
- Nå strammer du overfalsmutteren stramt til med et dreiemoment på 30 Nm eller nok en kvart omdreining. Forskyvningen av linjen viser hvor stramt enveiskoblingen ble strammet.

Denne siste dreiningen er nødvendig for å sikre en lekkasjefri forbindelse mellom koblingshalvdelen.



#### MERK

Avstanden mellom begynnelsen av overfalsmutteren og sekskanten på den eksterne gjengen må ikke overskride 3 mm (fig. **17**, side 8).

- Utfør en lekkasjetest på koblingsforbindelsene. Dette sikrer at enveiskoblingene er korrekt forbundet og tetningene fungerer.

## 7.5 Tilkoble kjøleaggregatet

### Tilkobling til et batteri

Kjøleaggregatet kan drives fra 12 V eller 24 V likespenning.



#### PASS PÅ!

For å unngå spennings- og effekttap, bør kablet holdes så kort som mulig og uten avbrudd. Unngå derfor ekstra brytere, kontakter eller fordelerbokser.

- Påkrevet kabeltvernsnitt i henhold til kabellengden finner du på fig. **18**, side 8.

Forklaring til fig. 18, side 8

Koordinatakse	Betydning	Enhet
l	Kabellengde	m
Ø	Kabelvernsnitt	mm <sup>2</sup>



### PASS PÅ!

Pass på riktig polaritet.

- ▶ Kontroller om driftsspenningen og batterispenningen stemmer overens (se merkeskiltet) før enheten startes opp for første gang.
- ▶ Tilkoble kjøleaggregatet
  - så direkte til batteripolen som mulig eller
  - til et støpsel som er sikret med en sikring på minst 15 A (ved 12 V) eller 7,5 A (ved 24 V).



### PASS PÅ!

Koble kjøleapparatet og andre forbrukere fra batteriet før du kobler batteriet til en hurtiglader. Overspenninger kan skade apparatets elektronikk.

Av sikkerhetshensyn er kjøleaggregatet utstyrt med et elektronisk system som forhindrer feil polaritet. Dette beskytter kjøleaggregatet når det er tilkoblet til et batteri.

## Tilkobling til en 230 V nettforsyning



### ADVARSEL!

- Ta aldri i støpsler og brytere med våte hender eller hvis det er vått der du står.
- Hvis du bruker kjøleapparatet om bord på en båt via landtilkobling med 230 V, må du koble en jordfeilbryter mellom 230 V vekselstrømnettet og kjøleapparatet.  
Be om råd fra fagfolk.

- ▶ For å drive kjøleaggregatet fra 230 V-nettet må du bruke likeretteren
  - CoolPower EPS100 for apparater med BD 35F kompressor (serie 50 / 80 / CS / CS)
  - CoolPower MPS35 for apparater med BD 35F kompressor (serie 50 / 80 / CS / CS)
  - CoolPower MPS50 for apparater med BD 50F kompressor (serie 90)



**MERK**

Utgangsspenningen på den beskrevde likeretteren er 24 V. Vennligst husk dette når du tilkobler andre forbrukere på et senere tidspunkt.

## 8 Bruke kjøleaggregatet

### 8.1 Tips for energisparing

- Velg et monteringssted som har god ventilasjon, og som er beskyttet mot direkte solstråler.
- Kjøl ned varme matvarer før du setter dem inn i apparatet.
- Ikke åpne kjølebeholderen oftere enn nødvendig.
- La ikke døren stå åpen lenger enn nødvendig.
- Rim av kjølebeholderen hvis det har dannet seg et lag av is.
- Unngå unødvendig lave temperaturer.
- Rengjør kondensatoren regelmessig for støv og smuss.
- Rengjør lokktetningen regelmessig.

### 8.2 Starte opp kjøleaggregatet

#### Apparater uten TEC-kontrollenhet

- ▶ Slå på kjøleaggregatet ved å dreie på styreknappen med klokka (fig. **1** A1 eller B1, side 3).

Hvis du fortsetter å dreie på styreknappen, kan du regulere temperaturen. Apparater med energilagringsfunksjon har en knapp for aktivering av lagring (fig. **1** A2, side 3).

**MERK**

Hvis den røde LED-en blinker eller lyser, har det oppstått en feil og systemet kan ikke betjenes (se feiltabell i kapittel «LED på termoelementet (fig. **1** 2, side 3)» på side 244).

#### Apparater med TEC-kontrollenhet

Apparater med TEC-kontrollenhet startes ved å betjene hovedbryteren (fig. **2** 6, side 3). Du kan deretter regulere temperaturen (fig. **2** 5, side 3) med temperaturvelgeren.

### 8.3 Slå av kjøleaggregatet

Hvis kjøleapparatet ikke skal brukes på lang tid, gjør du følgende:

- ▶ **Apparater uten TEC-kontrollpanel:** Drei styreknappen til 0.
- ▶ **Apparater med TEC-kontrollenhet:** Slå apparatet av med hovedbryteren (fig. **2** 6, side 3).
- ▶ Koble strømkabelen fra batteriet eller trekk støpslet til likestrømsledningen ut av likeretteren.
- ▶ Rengjør kjøleapparatet.
- ▶ La døren være litt åpen over dekselet.  
Dette forhindrer luktdannelse.

## 9 Bruke kjølemiddelakkumulator

### 9.1 Display og styreelementer på apparater med TEC-programkontrollenhet

Nr. i fig. <b>2</b> , side 3	Forklaring
1	Grønn LED: Indikerer at kompressoren går.
2	Gul LED: indikerer at den eksterne strømforsyningen er tilstede (spenningen ligger over 13,5 V eller 27,0 V). LED-en blinker hvis den eksterne strømforsyningen er for lav (spenning $\leq 10,7$ V eller 21,7 V. Versjon E: $\leq 10,7$ V eller 22,0 V).
3	Rød LED: indikerer at akkumulatoren lades ut fordi <ul style="list-style-type: none"> <li>• utladingsknappen har blitt trykket</li> <li>• Lavspenningsutkobling (spenning <math>\leq 10,7</math> V eller 21,4 V. Versjon E: <math>\leq 10,7</math> V eller 22,0 V).</li> </ul>
4	Akkumulatorutladingsknapp: avbryter kompressorens drift helt til <ul style="list-style-type: none"> <li>• den lagrede kalde energien er oppbrukt</li> <li>• Det eksterne spenningsforsyningsnivået er gjenopprettet etter lav spenning.</li> </ul>

**Nr. i fig. 2, side 3, Forklaring**

- |   |   |
|---|---|
| 5 | Temperaturvelger: gjør at temperaturen i kjøleområdet kan stilles inn som ønsket<br>Min. (venstre endestilling) = varmeste innstilling<br>Maks. (høyre endestilling) = kaldeste innstilling |
| 6 | Hovedbryter: for på- og avslåing av kjøleapparatet.<br>Posisjon 0 = AV<br>Posisjon – = PÅ   |

## 9.2 Akkumulatorfunksjon

Akkumulatorfunksjonen sørger for at kald energi lagres automatisk (i opptil 8 timer) hvis det foreligger nok elektrisk strøm, for eksempel ved forsyning via en netttadapter.

Lagret kjøleeffekt lades ut

- automatisk når utkoblingsspenningen er nådd (se tabell på side 234)
- eller manuelt ved å trykke på utladingsknappen (fig. 1 A2 eller fig. 2 4, side 3).


**MERK**

Kuldeakkumulatoren kan bare lades ut manuelt dersom den var ladet fullt opp på forhånd.

Akkumulatoren lades automatisk dersom

- gjeninnkoblingsspenningen overskrides
- eller akkumulatoren er tom og du slår apparatet av og på igjen med styreknappen (fig. 2 6, side 3, fungerer bare på VD-06).


**PASS PÅ!**

Hvis du lader ut akkumulatoren selv om det foreligger en ekstern strømforsyning – for eksempel for å unngå driftsstøy fra kompressoren – bruker du hovedbryteren for å slå av enheten (fig. 1 B1 eller fig. 2 6, side 3).


**MERK**

Husk: lav intern temperatur = høyt strømforbruk!

## 10 Garanti

Lovmessig garantitid gjelder. Hvis produktet skulle være defekt, kontakter du produsentens filial i ditt land (se [dometic.com/dealer](http://dometic.com/dealer)) eller til din faghandler.

Ved henvendelser vedrørende reparasjon eller garanti, må du sende med følgende dokumentasjon:

- kopi av kvitteringen med kjøpsdato,
- årsak til reklamasjonen eller beskrivelse av feilen.

## 11 Avfallsbehandling

► Lever emballasje til resirkulering så langt det er mulig.



Når du tar produktet ut av drift for siste gang, må du sørge for å få informasjon om deponeringsforskrifter hos nærmeste resirkuleringsstasjon eller hos din faghandler.

## 12 Feilretting

**LED på termoelementet (fig. 1 2, side 3)**

Antall lysimpulser	Feiltype	Løsning
1	Batteribeskyttende utkobling	Sjekk batterispenning, sikring og kabelverrsnitt
2	Overspenningsvern vifte	Sjekk kondensator og fordampervifte-spenning: Totalt innstilt verdi < 0,5 A
3	Oppstartsfeil kompressor	Reduser lasten på kjølesystemet: <ul style="list-style-type: none"> <li>• Sørg for god ventilasjon rundt kjøleaggregatet</li> <li>• Lagre forhåndskjølte varer</li> </ul>

Antall lysimpulser	Feiltype	Løsning
4	Overbelastningsvern kompressor	Reduser lasten på kjølesystemet: <ul style="list-style-type: none"> <li>• Sørg for god ventilasjon rundt kjøleaggregatet</li> <li>• Lagre forhåndskjølte varer</li> </ul>
5	Elektronisk sikringsutkobling	Reduser lasten på kjølesystemet: <ul style="list-style-type: none"> <li>• Sørg for god ventilasjon rundt kjøleaggregatet</li> </ul>

## Kompressoren går ikke

Problem	Mulig årsak	Løsning
$U_T = 0V$	Forbindelsen mellom batteriet og – elektronikken er brutt	Opprett forbindelse
	Hovedbryteren er defekt (hvis en slik er montert)	Bytt hovedbryter
	Ekstra ledningssikringer avbrent (i tilfelle dette er montert)	Skift ut sikringen
$U_T \leq U_{ON}$	For lav batterispenning	Lad batteriet
Startforsøk med $U_T \leq U_{OFF}$	Løs kabelforbindelse Dårlig kontakt (korrosjon)	Opprett forbindelse
	Batterikapasiteten for dårlig	Bytt batteri
	For lite kabelvernsnitt	Skift ut kabelen (fig. 18, side 8)
Startforsøk med $U_T \geq U_{ON}$	Omgivelsestemperaturen for høy	–
	Utilstrekkelig lufting og/eller kjøling	Sørg for en forbedret lufting til kjøleaggregatet
	Kondensatoren er tilsmusset	Rengjør kondensatoren
	Viften er defekt (hvis en slik er montert)	Bytt viften

$U_T$  Spenning mellom pluss- og minusklemmen på elektronikken

$U_{ON}$  Innkoblingsspenning på elektronikken

$U_{OFF}$  Utkoblingsspenning på elektronikken

**For lav innetemperatur på regulatorinnstilling 1**

Problem	Mulig årsak	Løsning
Kompressoren går hele tiden	Termostatsensoren har ikke kontakt med fordampere	Fest føleren
	Termostaten er defekt	Bytt termostaten
Kompressoren går lenge	Store mengder fryses ned i fryserommet	–

**Kjølekapasiteten faller, innetemperaturen stiger**

Problem	Mulig årsak	Løsning
Kompressoren går lenge/kontinuerlig	Fordampere iser ned	Avrim fordampere
	Omgivelsestemperaturen for høy	–
	Utilstrekkelig lufting og/eller kjøling	Sørg for en forbedret lufting til kjøleaggregatet
	Kondensatoren er tilsmusset	Rengjør kondensatoren
	Viften er defekt (hvis en slik er montert)	Bytt viften
Kompressoren går uregelmessig	Tomt batteri	Lad batteriet

**Uvanlig støy**

Problem	Mulig årsak	Løsning
Høy brumming	Komponenten til kjølekretsløpet kan ikke svinge fritt (ligger inntil veggen)	Bøy komponenten forsiktig av
	Et fremmedlegeme er innklemt mellom kjøleapparatet og veggen	Fjern fremmedlegemet
	Viftestøy (hvis en slik er montert)	Rengjør viftebladene

**13 Tekniske spesifikasjoner**

	50	54	55
Maks. kjøleområde-innhold:	80 liter	130 liter	
Tilkoblingsspenning:	12 V $\overline{=}$ eller 24 V $\overline{=}$		

	<b>50</b>	<b>54</b>	<b>55</b>
Effektforbruk:	35–40 W, avhengig av fordampertypen		
Kjølemiddelmengde:	28 g	35 g	
CO <sub>2</sub> -ekvivalent:	0,040 t	0,050 t	
GWP-verdi:	1430		
Mål (B x H x D) i mm:	315 x 140 x 170	386x155x130	220x160x220
Vekt:	3,74 kg	6,0 kg	6,5 kg

	<b>84</b>	<b>85</b>	<b>86</b>
Maks. kjøleområde-innhold:	250 liter		
Tilkoblingsspenning:	12 V <sub>DC</sub> eller 24 V <sub>DC</sub>		
Kjølemiddelmengde:	45 g		
CO <sub>2</sub> -ekvivalent:	0,064 t		
GWP-verdi:	1430		
Mål (B x H x D) i mm:	386x155x130	220x155x220	220x230x177
Vekt:	6,0 kg	6,0 kg	6,5 kg

	<b>94</b>	<b>95</b>	<b>96</b>
Maks. kjøleområde-innhold:	400 liter		
Tilkoblingsspenning:	12 V <sub>DC</sub> eller 24 V <sub>DC</sub>		
Kjølemiddelmengde:	60 g		
CO <sub>2</sub> -ekvivalent:	0,086 t		
GWP-verdi:	1430		
Mål (B x H x D) i mm:	386x155x130	220x155x220	220x230x177
Vekt:	6,0 kg	6,0 kg	6,5 kg

	<b>CS-NC15</b>
Maks. kjøleområde-innhold:	250 liter
Tilkoblingsspenning:	12 V <sub>DC</sub> eller 24 V <sub>DC</sub>
Kjølemiddelmengde:	60 g
CO <sub>2</sub> -ekvivalent:	0,086 t

	<b>CS-NC15</b>
GWP-verdi:	1430
Mål (B x H x D) i mm:	360x255x275
Vekt:	8,5 kg

	<b>VD-01</b>	<b>VD-02</b>	<b>VD-03</b>	<b>VD-04</b>
Maks. kjøleområdeinnhold ved 35 mm PU-isolering:	80 liter	30 liter	170 liter	130 liter
Maks. kjøleområdeinnhold ved 50 mm PU-isolering:	100 liter	50 liter	200 liter	170 liter
Effektforbruk:	35 W	35 W	50 W	45 W
Spenning	12 V $\overline{=}$ eller 24 V $\overline{=}$			
Kjølemiddelmengde:	17 g		20 g	30 g
CO2-ekvivalent:	0,024 t		0,029 t	0,043 t
GWP-verdi:	1430			
Mål (B x H x D) i mm:	300x245x110	275x215x25	380x230x82	375x255x100
Vekt:	1,5 kg	1,0 kg	2,0 kg	1,5 kg

	<b>CU-50 + VD-01</b>	<b>CU-50 + VD-02</b>	<b>CU-50 + VD-07</b>
Maks. kjøleområdeinnhold ved 35 mm PU-isolering:	50 liter	30 liter	60 liter
Maks. kjøleområdeinnhold ved 50 mm PU-isolering:	75 liter	50 liter	80 liter
Effektforbruk:	30 W		
Temperatur:	omgivelse: 32 °C, inne: 5 °C		

	<b>VD-05</b>	<b>VD-07</b>	<b>VD-08</b>	<b>VD-09</b>
Maks. kjøleområdeinnhold ved 35 mm PU-isolering:	130 liter	100 liter	160 liter	160 liter
Maks. kjøleområdeinnhold ved 50 mm PU-isolering:	170 liter	130 liter	180 liter	180 liter



	<b>VD-05</b>	<b>VD-07</b>	<b>VD-08</b>	<b>VD-09</b>
Effektforbruk:	45 W	35 W	60 W	60 W
Spenning	12 V $\overline{=}$ eller 24 V $\overline{=}$			
Kjølemiddelmengde:	30 g	45 g	15 g	65 g
CO <sub>2</sub> -ekvivalent:	0,043 t	0,064 t	0,021 t	0,093 t
GWP-verdi:	1430			
Mål (B x H x D) i mm:	375x350x25	255x210x90	450x270x340	365x140x270
Vekt:	1,5 kg	1,5 kg	2,0 kg	2,0 kg

	<b>VD-14N</b>	<b>VD-15</b>	<b>VD-18</b>
Maks. kjøleområdeinnhold ved 35 mm PU-isolering:	300 liter	200 liter	100 liter
Maks. kjøleområdeinnhold ved 50 mm PU-isolering:	400 liter	250 liter	150 liter
Effektforbruk:	80 W	60 W	45 W
Spenning	12 V $\overline{=}$ eller 24 V $\overline{=}$		
Kjølemiddelmengde:	15 g		
CO <sub>2</sub> -ekvivalent:	0,021 t		
GWP-verdi:	1430		
Mål (B x H x D) i mm:	220x275x65	220x275x65	350x250x25
Vekt:	2,5 kg	1,5 kg	1,5 kg

	<b>VD-16</b>	<b>VD-21</b>
Maks. kjøleområdeinnhold ved 60 mm PU-isolering:	130 liter	250 liter
Maks. kjøleområdeinnhold ved 100 mm PU-isolering:	200 liter	300 liter
Effektforbruk:	60 W	60 W
Spenning	12 V $\overline{=}$ eller 24 V $\overline{=}$	
Kjølemiddelmengde:	40 g	10 g
CO <sub>2</sub> -ekvivalent:	0,057 t	0,014 t
GWP-verdi:	1430	

	<b>VD-16</b>	<b>VD-21</b>
Mål (B x H x D) i mm:	330x260x130	1370x305x10
Vekt:	2,5 kg	4,0 kg
	<b>VD-16 for 80-serien</b>	<b>VD-16 for 90-serien</b>
Maks. kjøleområde- innhold ved 35 mm PU-isolering:	120 liter	200 liter
Maks. kjøleområde- innhold ved 50 mm PU-isolering:	200 liter	250 liter
Effektforbruk:	65 W	80 W
Spenning	12 V $\overline{=}$ eller 24 V $\overline{=}$	
Kjølemiddelmengde:	40 g	
CO2-ekvivalent:	0,057 t	
GWP-verdi:	1430	
Mål (B x H x D) i mm:	380x300x62	
Vekt:	5,0 kg	

**Test/sertifikater:**

Kjølemiddelkretsløpet inneholder R-134a.

Inneholder fluoriserte drivhusgasser

Lue nämä ohjeet huolellisesti ja noudata kaikkia tämän tuotteen käyttöohjeissa annettuja ohjeita, määräyksiä ja varoituksia. Näin varmistat, että tuotteen asennus, käyttö ja huolto sujuu aina oikein. Näiden ohjeiden TÄYTYY jäädä tuotteen yhteyteen.

Käyttämällä tuotetta vahvistat lukeneesi kaikki ohjeet, määräykset ja varoitukset huolellisesti ja että ymmärrät ja hyväksyt tässä annetut ehdot. Sitoudut käyttämään tuotetta ainoastaan sen käyttötarkoitukseen ja ilmoitetuissa käyttökohteissa ja noudattaen tässä tuotteen käyttöohjeessa annettuja ohjeita, määräyksiä ja varoituksia sekä voimassa olevia lakeja ja määräyksiä. Tässä annettujen ohjeiden ja varoitusten lukematta ja noudattamatta jättäminen voi johtaa omaan tai muiden loukkaantumiseen, tuotteen vaurioitumiseen tai muiden, ympärillä olevien esineiden vaurioitumiseen. Tähän tuotteen käyttöohjeeseen, ohjeisiin, määräyksiin ja varoituksiin sekä oheisdokumentteihin voidaan tehdä muutoksia ja niitä voidaan päivittää. Katso ajantasaiset tuotetiedot osoitteesta [dometic.com](http://dometic.com).

## Sisältö

1	Symbolien selitykset . . . . .	251
2	Turvallisuusohjeet . . . . .	252
3	Toimituskokonaisuus . . . . .	254
4	Lisävarusteet . . . . .	254
5	Käyttötarkoitus . . . . .	254
6	Tekninen kuvaus . . . . .	255
7	Kylmälaitteiston asentaminen . . . . .	256
8	Kylmälaitteiston käyttö . . . . .	263
9	Kylmäakun käyttö . . . . .	264
10	Tuotevastuu . . . . .	266
11	Hävittäminen . . . . .	266
12	Vianetsintä . . . . .	267
13	Tekniset tiedot . . . . .	269

## 1 Symbolien selitykset



### VAARA!

**Turvallisuusohje** koskien vaaratilannetta, joka johtaa kuolemaan tai vakavaan vammaan, jos tilannetta ei vältetä.



### VAROITUS!

**Turvallisuusohje** koskien vaaratilannetta, joka voi johtaa kuolemaan tai vakavaan vammaan, jos tilannetta ei vältetä.

**HUOMIO!**

**Turvallisuusohje** koskien vaaratilannetta, joka voi johtaa lievään tai kohtalaiseen vammaan, jos tilannetta ei vältetä.

**HUOMAUTUS!**

Ohje koskien tilannetta, joka voi johtaa esinevahinkoihin, jos sitä ei vältetä.

**OHJE**

Tuotteen käyttöä koskevia lisätietoja.

## 2 Turvallisuusohjeet

### 2.1 Perusturvallisuus

**VAARA!**

- **Hengenvaarallisen loukkaantumisen vaara!**  
**Käytettäessä laitetta veneessä:** jos laitetta käytetään verkkovirralla, varmista, että jännitelähde on suojattu vikavirtasuojakytkimellä!

**VAROITUS!**

- Ainoastaan pätevä ammattilainen saa asentaa tämän laitteen ja korjata sitä. Epäasianmukaisesti tehdyistä korjauksista voi aiheutua vakavia vaaroja.  
Käänny asiakaspalvelun puoleen, jos laite tarvitsee korjausta.
- Laitetta ei saa ottaa käyttöön, jos laitteessa on näkyviä vaurioita.
- Älä missään tapauksessa avaa jäähdytyskiertoa. Poikkeus tästä on tilanne, jossa laite täytyy irrottaa palauttamista varten (kap. "Ulkoisen lämpötilansäätimen asentaminen" sivulla 259).
- Sijoita laite kuivaan ja roiskevedeltä suojattuun paikkaan.
- Älä altista laitetta avotullelle tai muille lämpölähteille (lämmitys, suora auringonpaiste, kaasuuunit jne.).
- Varmista, että kompressorin tuuletus on riittävä.
- **Elektroniset laitteet eivät ole leikkikaluja!**  
Säilytä ja käytä laitetta lasten ulottumattomissa.

- Henkilöiden (mukaan lukien lapset), jotka eivät voi käyttää tuotetta turvallisesti fyysisten, sensoristen tai psyykkisten taitojensa takia tai kokemattomuuden tai tietämättömyyden vuoksi, ei tulisi käyttää tuotetta ilman valvontaa tai vastuullisen henkilön opastusta.
- Tarkasta ennen laitteen käynnistämistä, vastaavtko käyttöjännite ja akkujännite toisiaan (ks. tyyppikilpi).
- Jos liitäntäjohto on vioittunut, se täytyy vaihtaa vaaratilanteiden välttämiseksi. Vioittuneen liitäntäjohdon tilalle saa vaihtaa vain samantyyppisen liitäntäjohdon, jonka spesifikaatiot ovat samat.
- Älä säilytä laitteessa mitään räjähdysalttiita aineita kuten esim. suihkepurkkeja, joissa on ponneainetta.

## 2.2 Laitteen käyttöturvallisuus



### **VAARA! Hengenvaarallisen loukkaantumisen vaara!**

- Älä kosketa avojohtimia koskaan paljain käsin. Tämä koskee ennen kaikkea laitteen käyttöä vaihtovirtaverkon avulla.



### **HUOMAUTUS!**

- Älä käytä puhdista höyrystintä puhdistusaineella, joka sisältää hiekkaa, happoja tai liuottimia.
- Suojaa laite sateelta ja kosteudelta.
- Irrota kylmälaite ja muut sähkölaitteet akusta ennen pikalaturin liittämistä.



### **OHJE**

- Irrota laitteen liitännät, jos et aio käyttää sitä pitkään aikaan.

## 2.3 Turvatoimet akkuja käsiteltäessä



### **HUOMIO! Loukkaantumisen vaara!**

- Akut sisältävät vahvoja, syövyttäviä happoja. Vältä ihokosketusta akkunesteiden kanssa. Jos akkunestettä on päätyneet iholle, huuhtelee kyseinen ruumiinosa huolellisesti vedellä.
- Varmista, että elintarvikkeet eivät joudu kosketuksiin akkuhapon kanssa, mikäli yhdistät laitteen akkuun.

### 3 Toimituskokonaisuus

Määrä	Kuvaus
1	Kylmälaitteisto tai höyrystin
1	Käyttöohje

### 4 Lisävarusteet

Jos haluat käyttää kylmälaitteistoa 230 V -verkkovirralla, käytä jotakin seuraavista tasasuuntaajista.

Saatavissa lisävarusteena (ei sisälly toimituskokonaisuuteen):

Kuvaus	Tuotenumero
CoolPower EPS100 -tasasuuntaaja Laitteisiin, joissa on BD 35F -kompressori (50/80/CS/CS-sarja)	9600000440
CoolPower MPS35 -tasasuuntaaja Laitteisiin, joissa on BD 35F -kompressori (50/80/CS/CS-sarja)	9600000445
CoolPower MPS50 -tasasuuntaaja Laitteisiin, joissa on BD 50F -kompressori (90-sarja)	9600000441

### 5 Käyttötarkoitus

Kylmälaitteisto soveltuu oman jääkaapin tai kylmälaatikon valmistamiseen.

Kylmälaite soveltuu elintarvikkeiden säilyttämiseen viileässä ja pakkasessa. Laite sopii myös venekäyttöön.

Tämä tuote soveltuu ainoastaan näissä ohjeissa ilmoitettuun käyttötarkoitukseen ja käyttökohteeseen.

Näistä ohjeista saat tuotteen asianmukaiseen asennukseen ja/tai käyttöön tarvittavat tiedot. Väärin tehdyn asennuksen ja/tai väärän käyttötavan tai vääränlaisen huollon seurauksena laite ei toimi tyydyttävästi, ja se saattaa mennä epäkuuntoon.

Valmistaja ei ota vastuuta tapaturmista tai tuotevaurioista, jotka johtuvat seuraavista:

- Väärin tehty kokoaminen tai sähköliittäminen, ylijännite mukaan lukien
- Väärin tehty huolto tai muiden kuin valmistajalta saatavien alkuperäisten varaosien käyttö

- tuotteeseen ilman valmistajan nimenomaista lupaa tehdyt muutokset
- käyttö muuhun kuin tässä ohjeessa ilmoitettuun tarkoitukseen

Dometic pidättää itsellään oikeuden muutoksiin tuotteen ulkonäössä ja spesifikaatioissa.

## 6 Tekninen kuvaus

Kylmälaiteistot sopivat käytettäväksi 12 V tai 24 V -tasajännitteellä, ja niitä voidaan siten käyttää asunтоваunuissa tai veneissä. Lisäksi voit liittää ne 230 V -sähköverkkoon tasasuuntaajien välityksellä (ks. kap. "Lisävarusteet" sivulla 254).

Venekäytössä kylmälaiteisto voi olla jatkuvasti kallistettuna 30°.

Kylmälaiteistoa täytyy käyttää yhdessä höyrystimen kanssa. Lisäksi voit käyttää kylmäakkua, jossa on tai ei ole TEC-ohjainta. **CS-NC15** muodostuu kylmälaiteistosta ja höyrystimestä.

Säädä lämpötila höyrystimen portaattoman lämpötilasäätimen avulla.

Akku ja TEC-ohjelmaohjain varmistavat suuren jäähdystehon ja parantavat laitteen tehokkuutta. Akku ladataan, kun käytettävissä on riittävä tehonsyöttö (esimerkiksi, kun teho saadaan verkkovirtasovittimesta). Kun akkua käytetään tai ilmenee alijännitetilanne, kylmäainetta otetaan akusta siihen asti, että se on tyhjä. Sähköisestä akusta ei oteta tehoa tänä aikana.

TEC-ohjelmaohjain varmistaa aina, että

- kylmäenergiaa varastoidaan, jos käytettävissä on ylimääräistä sähköenergiaa (ulkoinen energiansyöttö generaattorilla).
- Kylmäakkua voidaan käyttää milloin tahansa varmistamaan, että kaikki akkuteho on muiden sähkölaitteiden käytettävissä.
- Varastoi kylmäenergia otetaan automaattisesti käyttöön sisätilan jäähdystylämpötilan säilyttämiseksi, kun akun sähköinen kapasiteetti on käytetty loppuun.



### OHJE

Lisätietoja kylmäaineakusta löytyy kohdasta kap. "Kylmäakun käyttö" sivulla 264.

### 6.1 Akkuahti

Kylmälaiteessa on elektroninen laite, jolla estetään vääränapaisuus, kun laitetta liitetään akkuun. Akun suojaamiseksi kylmälaite kytkeytyy automaattisesti pois päältä, jos jännite ei enää riitä (ks. seuraava taulukko).

**Laitteet, joissa ei ole TEC-ohjainta**

Liitäntäjännite	Poiskytkentäjännite	Uudelleenkäynnistysjännite
12 V	10,4 V	11,7 V
24 V	22,8 V	24,2 V

**Laitteet, joissa on TEC-ohjain**

Liitäntäjännite	Poiskytkentäjännite	Uudelleenkäynnistysjännite
12 V	10,7 V	13,0 V
24 V	22,0 V	26,0 V

## 7 Kylmälaiteiston asentaminen

**VAROITUS!**

Asennuksen saa suorittaa ainoastaan pätevä ammattilainen.

### 7.1 Tarvittavat työkalut

**Asentamiseen ja kokoamiseen** tarvitset seuraavia työkaluja:

- Porakone
- Ruuvimeisseli
- Kiintoavain: 16 mm, 19 mm ja 21 mm
- Tiivistysmassa ja asennusvaahto
- Johdot, kaapelikengät ja johtoklemmarit
- Esteriöljy

### 7.2 Kylmäsäilytystilaa koskevia huomautuksia

**Kylmäsäilytystilan sallittu tilavuus**

Varmista, että höyrystintyyppin kylmäsäilytystilan suurin sallittu tilavuus ei ylitä (ks. kap. "Tekniset tiedot" sivulla 269).



## Eristyksen vähimmäispaksuus

Ilmoitettu kylmäsäilytystilan suurin sallittu tilavuus perustuu eristyksen vähimmäispaksuuteen 35 mm polyuretaanivaahtoa, jonka tiheys on 40 kg/m<sup>3</sup>. Käytettäessä muita eristemateriaaleja kuten polystyreenivaahtoa, saman lämmöneristetason saavuttamiseen tarvitaan kaksinkertainen seinämäpaksuus.

## Haihduttimen asennus

Höyrystin täytyy asentaa kylmäsäilytystilaan (paitsi **CS-NC15**, höyrystin on esiasennettu).

Noudata menettelyssä seuraavia:

- Oikea asennuspaikka (kuva **3**, sivulla 4 – kuva **9**, sivulla 6)
- Asetus niin korkealle kylmäsäilytystilaan yläosaan kuin mahdollista
- Asenna vähintään 10 mm:n päähän seinästä (**ei VD-14N ja VD-15**).



### HUOMAUTUS!

Kylmälaitteistot, joissa ei ole venttiililiittimiä (asennusvalmiit laitteet): Älä avaa jäähdytyskiertoa asennuksen yhteydessä. Voit ehkä joutua tekemään seinäaukoista suurempia, jotta saat ututettua höyrystimen niiden läpi (kuva **11**, sivulla 6). Tai vaihtoehtoisesti luota aukon, joka mahdollistaa jäähdytysputkien asentamisen ylös (kuva **12**, sivulla 6).

## Höyrystimen liittäminen

- ▶ Liitä höyrystimet **VD-14N ja VD-15** siten kuin kuva **10**, sivulla 6 esittää.
- ▶ Liitä höyrystin **VD-16** siten kuin kuva **9**, sivulla 6 esittää.
- ▶ Liitä muut höyrystimet siten kuin kuva **19**, sivulla 9 esittää.

## Kuvien selitykset

Kohde – kuva <b>8</b> , sivulla 5	Selitys
1	Tasavirtatuuletin
2	Termostaattipainike
3	Tasavirtatuulettimen liitin
4	Termostaatti
5	Liitäntäjohto

**Kohde – kuva 9,  
sivulla 6 Selitys**

1 Liitäntäjohto

**Kohde – kuva 10,  
sivulla 6 Selitys**

1 Liitäntäjohto

**Kohta –  
kuva 19, sivulla 9  
ja kuva 20,  
sivulla 9 Selitys**

1 Liitinrima

2 Kompressori

3 Tuuletin

4 Kytkin kuva 19 tai TEC-ohjain kuva 20

**HUOMAUTUS!**

Eristä ja sinetöi seinään tehdyt aukot huolellisesti asennuksen jälkeen, jotta kosteutta ei pääse tunkeutumaan sisään.

**Kylmälaiteistot, joissa on venttiililiittimet**

- Tee jäähdytysputkille reikä, jonka halkaisija on vähintään 30 mm (kuva 13, sivulla 7). Käytä tähän askiporaa.

**HUOMAUTUS!**

Älä koskaan taivuta höyrystimen ja laitteen yhdistävää putkea. Minimitäivutussäde on 25 mm.

**7.3 Kylmälaiteiston asentaminen**

Laitteiston asennuspaikka on tärkeää valita huolellisesti. Jotta käyttö sujuu ongelmitta, ota huomioon seuraavat seikat:

- Sijoita kylmälaiteisto kuivaan, suojaan paikkaan. Vältä sen sijoittamista lähelle lämpölähteitä kuten lämmittimiä, kaasuuuneja tai lämminvesijohtoja. Älä sijoita sitä suoraan auringonpaisteeseen.

- Asenna kylmälaitteisto veneessä vesirajan alapuolelle, jos mahdollista.
- Jäähdytysaggregaatti toimii enintään 30°:n kallistuskulmassa. Asenna se suoralle pinnalle, jotta se toimii myös mahdollisimman voimakkaalla kallistuksella.
- Lämmenneen ilman on päästävä poistumaan esteettä (kuva **14**, sivulla 7).
- Jos kylmälaitteisto asennetaan suljettuun tilaan kuten kaappiin, pentteriin tai perässä olevaan osastoon, jäähdytys- ja poistoilma-aukkojen halkaisijan täytyy olla vähintään 200 cm<sup>2</sup> (25 cm x 8 cm).
- Varmista, että ilma pääsee kiertämään vapaasti lauhduttimessa (kuva **14** C, sivulla 7).
- Jätä lauhduttimen ja lähimmän seinän välille vähintään 50 mm etäisyyttä.
- **CS-NC15**: Noudata poraussapluunaa (kuva **21**, sivulla 11) ja asennuspiirrosta (kuva **22**, sivulla 12).

## 7.4 Ulkoisen lämpötilansäätimen asentaminen

### Mekaaninen termostaatti

Lämpötilansäädin voidaan asentaa joko kylmäsäilytystilan ulkopuolelle tai sen sisään. Sisätilan lämpötilaa säädetään höyrystimen pintalämpötilan mukaan tai mallien **VD-14N ja VD-15** tapauksessa huonelämpötilan mukaan.

- ▶ Liitä anturijohdon käämitty pää höyrystimeen (kuva **15**, sivulla 8, ei **VD-14N, VD-15**) kiinnityslevyn avulla. Tämä on asennettu valmiiksi malleihin **VD-14N, VD-15**.
- ▶ Varmista, että anturijohto ei kosketa höyrystimeen tai imuputkeen muualla.

### TEC-ohjain

TEC-ohjain täytyy kiinnittää kylmäsäilytystilan ulkopuolelle. Sisälämpötilaa säädellään höyrystimen pintalämpötilan mukaisesti.

Lämpötila-anturi on asennettu tehtaalla akkuun.

- ▶ Yhdistä lämpötila-anturi TEC-ohjaimeen plug-in-liittimellä.

## Kertaliitinten asennus (ei CS-NC15)



### HUOMAUTUS!

Vain kylmälaiteteknologian tuntevat ja taitavat henkilöt saavat liittää kertaliittimiä. Yleisiä kylmäaineiden käsittelyä koskevia säädöksiä on noudatettava!

Kertaliittimet sopivat vain kylmälaitteiden liittämiseen yhden kerran.

Uudelleen avaaminen tai epäasiallinen liittäminen saa aikaan kylmäaineen täydellisen karkaamisen ja kylmäkoneiston vikaantumisen!

Tällaisissa tapauksissa kaksi kylmälaitteiston aiemmin toisiinsa liitettyä osaa täytyy irrottaa ja lähettää valmistajalle. Tehtaalla kertaliittimet uusitaan ja tuote täytetään uudelleen kylmäaineella.

Kylmälaitteen kaksi komponenttia – höyrystin ja kompressori-lauhdutin-yksikkö – toimitetaan erillisinä. Komponentit liitetään toisiinsa kertaliittimillä. Koko kylmälaitteen käyttämiseen tarvittava kylmäainemäärä sisältyy valmiiksi näihin kahteen komponenttiin. Kylmäainetta ei siksi tarvitse lisätä.

- ▶ Yhdistä kompressori-lauhdutin-yksikkö ja höyrystinyksikköön.
- ▶ Poista suojakorkit ja tulpat kompressori-lauhdutin-yksikön ja höyrystinyksikön kertaliitinten yhdistämättömistä puolikkaista.
- ▶ Puhdista liitinistukka ja kierrepinta huolellisesti, jotta järjestelmään ei pääse likaa tai vierasta materiaalia.



### HUOMAUTUS! Kylmäainevuodon vaara

- Käytä kertaliitinten kiristämiseen aina kahta jakoavainta, jotta putkien vääntyminen estyy!
- Kertaliitinten käyttäminen uudelleen ei ole sallittua!
- Selvitä, kumpaan kertaliitinliitokseen on vaikeampi päästä käsiksi avaimella ja liitä se ensin.
- Liitä aina vain yksi kertaliitos ja sitten toinen.



### OHJE

O-rengas toimii vain väliaikaisena tiivisteenä kertaliitinten alkuliittämisen aikana. O-rengas toimii vain alkutiivisteinä kalvon puhkaisun ja lopullisen metallisen tiivistyksen välissä. Vuotamaton tiivistys saadaan aikaan vain liittimen kahden puolikkaan metalliliitoksella.

- ▶ Laita kylmäaineöljyä sisä- ja ulkokierteisiin ja sisäpuolisiin karoihin (kuva **16**, sivulla 8).

- Yhdistä liittimen puolikkaat ja ruuvaa ne ensin yhteen käsin (kuva 17, sivulla 8). Älä käytä jakoavainta!

### **Kertaliitin, jossa on liittosmutteri:**

- Ruuvaa liitinpuolikasta, jossa on liittosmutteri avainkokoaa 21 mm ja avainkokoaa 19 mm olevilla avaimilla kierteen päähän asti tai kunnes tunnet huomattavaa vastusta. Älä kiristä kierrelliitosta vielä.

Kokoa 19 mm oleva avain toimii ohjaimena, kun liittosmutteria ruuvataan.

### **Ulkopuolisella kierteellä varustetun kertaliittimen liittäminen:**

- Ruuvaa liitinpuolikasta, jossa on liittosmutteri avainkokoaa 21 mm ja avainkokoaa 16 mm olevilla avaimilla kierteen päähän asti tai kunnes tunnet huomattavaa vastusta. Älä kiristä kierrelliitosta vielä.

Kokoa 16 mm oleva avainta käytetään vastaan pitämiseen, kun liittosmutteria ruuvataan.

- Tee lyijykynällä pituussuuntainen viiva liittosmutterista liittimen vastakkaisen puolikkaan pidikkeeseen.

- Kiristä liittosmutteria 30 Nm:n momentilla tai 1/4 kierrosta. Viivan poikkeama ilmaiseksi, miten voimakkaasti kertaliitin kiristettiin.

Viimeinen kierros tarvitaan varmistamaan, että liittimen puolikkaiden liitos on vuotamaton.



#### **OHJE**

Liitosmutterin alun ja ulkokierteen kuusion välinen etäisyys ei saa olla suurempi kuin 3 mm (kuva 17, sivulla 8).

- Testaa, vuotavatko liittimillä tehdyt liitokset. Tämä varmistaa, että kertaliittimet on liitetty oikein ja tiivistys toimii.

## **7.5 Kylmälaitteiston liittäminen**

### **Liittäminen akkuun**

Kylmälaitteistoa voi käyttää 12 V:n tai 24 V:n tasajännitteellä.



#### **HUOMAUTUS!**

Jännite- ja siten tehohäviöiden välttämiseksi liitäntäjohdon pitäisi olla mahdollisimman lyhyt, eikä siihen saa muodostaa katkoja. Vältä siis lisäkytkimiä, pistokkeita tai jakorasioita.

- Määritä tarvittavan kaapelipituuden vaatima kaapelin vähimmäispoikkipinta-ala kohdan kuva **18**, sivulla 8 perusteella.  
Selitys kuva **18**, sivulla 8

Koordinaattiakseli	Merkitys	Yksikkö
l	Johdon pituus	m
∅	Johdon halkaisija	mm <sup>2</sup>

**HUOMAUTUS!**

Varmista oikea napaisuus.

- Tarkasta ennen laitteen käynnistämistä, vastaavatko käyttöjännite ja akkujännite toisiaan (ks. tyyppikilpi).
- Liitä kylmälaiteisto
- mahdollisimman suoraan akun napaan tai
  - pistoliitäntään, joka on suojattu vähintään 15 A:n (jännite 12 V) tai 7,5 A:n (jännite 24 V) sulakkeella.

**HUOMAUTUS!**

Irrota kylmälaite ja muut sähköä käyttävät laitteet akusta ennen akun liittämistä pikalaturiin. Ylijännite voi vahingoittaa laitteen elektroniikkaa.

Turvallisuussyistä kylmälaiteistossa on elektroninen järjestelmä, jolla estetään väärä napaisuus. Näin kylmälaiteisto on suojattu akkua liitettäessä.

**Liittäminen 230 V -sähköverkkoon****VAROITUS!**

- Älä koske pistokkeisiin ja kytkimiin märin käsin tai kun seisot märässä paikassa.
- Jos käytät kylmälaitetta veneessä maista vedetyn 230 V -verkkoliitäntän avulla, 230 V -vaihtovirtaverkon ja kylmälaitteen väliin täytyy asentaa vikavirtasuojakytkin.  
Lisätietoja saat alan ammattilaisilta.

- ▶ Jos haluat käyttää 230 V -sähköverkkoa kylmälaitteiston virransyöttöön, käytä tasasuuntaajaa
  - CoolPower EPS100 laitteisiin, joissa on BD 35F -kompressori (50/80/CS/CS-sarja),
  - CoolPower MPS35 laitteisiin, joissa on BD 35F -kompressori (50/80/CS/CS-sarja),
  - CoolPower MPS50 laitteisiin, joissa on BD 50F -kompressori (90-sarja).



### OHJE

Mainitun tasasuuntaajan lähtöjännite on 24 V. Muista se, kun liität myöhemmin muita sähkölaitteita.

## 8 Kylmälaitteiston käyttö

### 8.1 Vinkkejä energian säästämiseen

- Valitse asennuspaikka, joka on hyvin tuuletettu ja suojassa suoralta auringonpisteeltä.
- Anna kuumien ruokien jäähtyä ennen niiden sijoittamista laitteeseen.
- Älä avaa kylmäsäilytystilaa tarpeettoman usein.
- Älä pidä ovea auki tarpeettoman kauan.
- Sulata kylmäsäilytystila heti, kun siihen on muodostunut jääkerros.
- Vältä turhan alhaisia lämpötiloja.
- Puhdista lauhdutin pölystä ja liasta säännöllisin väliajoin.
- Puhdista kannen tiiviste säännöllisesti.

### 8.2 Kylmälaitteiston kytkeminen päälle

#### Laitteet, joissa ei ole TEC-ohjainta

- ▶ Kytke kylmälaitteisto päälle kiertämällä hallintapainiketta myötöpäivään (kuva **1** A1 tai B1, sivulla 3).

Jatkamalla hallintapainikkeen kiertämistä voit säätää lämpötilaa. Energianvarastointitoiminnoilla varustetuissa laitteissa on varastoinnin aktivointipainike (kuva **1** A2, sivulla 3).

**OHJE**

Jos punainen LED vilkkuu tai palaa, on ilmennyt virhe ja järjestelmää ei voi käyttää (katso vikataulukkoa luvussa kap. "LED lämpöelementissä (kuva **1** 2, sivulla 3)" sivulla 267).

**Laitteet, joissa on TEC-ohjain**

TEC-ohjaimella varustetut laitteet käynnistetään pääkytkimellä (kuva **2** 6, sivulla 3). Voit sitten säädellä lämpötilaa (kuva **2** 5, sivulla 3) lämpötilavalitsimella.

**8.3 Kylmälaitteen kytkeminen pois päältä**

Jos et aio käyttää kylmälaitetta pitkään aikaan, toimi seuraavasti:

- ▶ **Laitteet, joissa ei ole TEC-ohjainta:** Kierrä hallintapainike asentoon 0.
- ▶ **Laitteet, joissa on TEC-ohjain:** Kytke laite pois päältä pääkytkimellä (kuva **2** 6, sivulla 3).
- ▶ Irrota sähköjohto akusta tai irrota tasavirtajohdon pistoke tasasuuntaajasta.
- ▶ Puhdista kylmälaite.
- ▶ Jätä ovi hieman auki.  
Näin vältät hajun muodostumisen.

**9 Kylmäakun käyttö****9.1 TEC-ohjaimella varustettujen laitteiden näyttö ja hallintalaitteet**

**Kohde –  
kuva **2**,  
sivulla 3**

**Selitys**

- |   |  |
|---|--|
| 1 | vihreä LED: Ilmaisee, että kompressorin käy.   |
| 2 | Keltainen LED: ilmaisee, että ulkoinen teholaähde on käytettävissä (jännite on suurempi kuin 13,5 V tai 27,0 V).<br>LED vilkkuu, jos ulkoinen tehonsyöttö on vähissä (jännite $\leq 10,7$ V tai 21,7 V. Versio E: $\leq 10,7$ V tai 22,0 V). |



**Kohde –  
kuva 2,  
sivulla 3**      **Selitys**

- |   |  |
|---|--|
| 3 | Punainen LED: ilmaisee, että kylmäakua puretaan, koska <ul style="list-style-type: none"> <li>• purkupainiketta on painettu</li> <li>• Alijännitekatkaisu (jännite <math>\leq 10,7\text{ V}</math> tai <math>21,4\text{ V}</math>. Versio E: <math>\leq 10,7\text{ V}</math> tai <math>22,0\text{ V}</math>).</li> </ul> |
| 4 | Kylmäakun purkupainike: keskeyttää kompressorin toiminnan kunnes <ul style="list-style-type: none"> <li>• varastoitu kylmäenergia on käytetty loppuun</li> <li>• Ulkoinen syöttöjännite on palautunut alijännitteen jälkeen.</li> </ul>  |
| 5 | Lämpötilavalitsin: mahdollistaa kylmäsäilytystilan lämpötilan asettamisen tarvetta vastaavaksi<br>Min. (vasen rajoitin) = lämpimin asetus<br>Maks. (oikea rajoitin) = kylmin asetus  |
| 6 | Pääkytkin: kylmälaitteen päälle ja pois kytkemiseen.<br>Asento 0 = POIS<br>Asento – = PÄÄLLÄ   |

## 9.2 Kylmäakkutoiminto

Kylmäakkutoiminto varmistaa, että kylmäenergiaa varastoidaan automaattisesti (jopa 8 tuntia), jos käytettävissä on riittävä sähköteho, esimerkiksi kun sitä saadaan verkko-  
virtasovittimesta.

Varastoitua jäähdystystehoa puretaan

- automaattisesti, kun katkaisujännite saavutetaan (katso taulukko sivulla 256)
- tai manuaalisesti, kun purkupainiketta (kuva 1 A2 tai kuva 2 4, sivulla 3) painetaan.



### OHJE

Kylmäakun manuaalinen purkaminen on mahdollista vain, jos se on ensin ladattu täyteen.

Kylmäakku ladataan automaattisesti, jos

- uudelleenkäynnistysjännite ylitetään
- tai kylmäakku on tyhjä ja kytket laitteen pois päältä ja takaisin päälle hallintapainikkeella (kuva 2 6, sivulla 3, toimii vain mallissa VD-06).



### HUOMAUTUS!

Kun käytät kylmäakkua vaikka käytettävissä on ulkoinen tehonlähde – esimerkiksi välttääksesi kompressorin käyntiäänä – kytke laite pois päältä pääkytkimellä (kuva **1** B1 tai kuva **2** 6, sivulla 3).



### OHJE

Muista: Matala sisälämpötila = suuri virrankulutus!

## 10 Tuotevastuu

Laitetta koskee lakisääteinen takuu-aika. Jos tuote sattuu olemaan viallinen, käänny maasi valmistajan toimipisteen puoleen (katso [dometic.com/dealer](http://dometic.com/dealer)) tai ota yhteyttä omaan ammattikauppiaseesi.

Korjaus- ja takuukäsittelyä varten lähetä mukana seuraavat asiakirjat:

- kopio ostolaskusta, jossa näkyy ostopäivä,
- valitusperuste tai vikakuvaus.

## 11 Hävittäminen

- Vie pakkausmateriaali mahdollisuuksien mukaan vastaavan kierrätysjätteen joukkoon.



Jos poistat tuotteen lopullisesti käytöstä, pyydä tietoa sen hävittämistä koskevista määräyksistä lähimmästä kierrätyskeskuksesta tai ammattiliikkeestäsi.

## 12 Vianetsintä

### LED lämpöelementissä (kuva 1 2, sivulla 3)

Vilkahdusten lukumäärä	Virhetyyppi	Korjaus
1	Akun suojakatkaisu	Tarkasta akkujännite, sulake ja johdon poikkipinta-ala
2	Puhaltimen ylijännitekatkaisu	Tarkasta lauhduttimen ja höyrystimen puhaltimen virta: ohjearvo yhteensä < 0,5 A
3	Kompressorin käynnistysvirhe	Pienennä jäähdytysjärjestelmän kuormaa: <ul style="list-style-type: none"> <li>• Varmista, että kylmälaitteiston ilmanvaihto on hyvä</li> <li>• Laita säilytykseen valmiiksi jäähdytetyjä tuotteita</li> </ul>
4	Kompressorin ylikuormitussammutus	Pienennä jäähdytysjärjestelmän kuormaa: <ul style="list-style-type: none"> <li>• Varmista, että kylmälaitteiston ilmanvaihto on hyvä</li> <li>• Laita säilytykseen valmiiksi jäähdytetyjä tuotteita</li> </ul>
5	Elektroninen varoke sammuttaa	Pienennä jäähdytysjärjestelmän kuormaa: <ul style="list-style-type: none"> <li>• Varmista, että kylmälaitteiston ilmanvaihto on hyvä</li> </ul>

### Kompressori ei käy

Häiriö	Mahdollinen syy	Korjaus
$U_T = 0V$	Akun ja –elektroniikan välinen liitäntä on katkennut	Luo liitäntä
	Pääkytkin rikki (jos sellainen on)	Vaihda pääkytkin
	Lisäjohtosulake palanut (jos sellainen on)	Vaihda sulake
$U_T \leq U_{ON}$	Akkujännite liian matala	Lataa akku

Häiriö	Mahdollinen syy	Korjaus
Käynnistysyritys jännitteellä $U_T \leq U_{OFF}$	Irrallinen kaapeliliitos Huono kontakti (korroosio)	Luo liitäntä
	Akkukapasiteetti liian vähäinen	Vaihda akku
	Johdon poikkipinta-ala liian pieni	Vaihda kaapeli (kuva 18, sivulla 8)
Käynnistysyritys jännitteellä $U_T \geq U_{ON}$	Ympäristön lämpötila liian korkea	–
	Riittämätön tuuletus ja/tai jäähdytys	Paranna kylmälaiteiston tuuletusta
	Lauhdutin likaantunut	Puhdista lauhdutin
	Tuuletin rikki (jos sellainen on)	Vaihda tuuletin

$U_T$  Jännite elektroniikan plus- ja miinusnavan välillä

$U_{ON}$  Elektroniikan päällekytkentäjännite

$U_{OFF}$  Elektroniikan poiskytkentäjännite

## Sisälämpötila liian matala säätimen asetuksessa 1

Häiriö	Mahdollinen syy	Korjaus
Kompessorin käy jatkuvasti	Termostaattianturilla ei ole kontaktia höyrystimeen	Kiinnitä anturi
	Termostaatti viallinen	Vaihda termostaatti
Kompessorin käy pitkään	Pakastelokerossa on pakastettu suuria määriä	–

**Jäähdytyskapasiteetti pienenee, sisälämpötila nousee**

Häiriö	Mahdollinen syy	Korjaus
Kompressori käy pitkään/jatkuvasti	Höyrystin jään peitossa	Sulata höyrystin
	Ympäristön lämpötila liian korkea	–
	Riittämätön tuuletus ja/tai jäähdytys	Paranna kylmälaiteiston ilmanvaihtoa
	Lauhdutin likaantunut	Puhdista lauhdutin
	Tuuletin rikki (jos sellainen on)	Vaihda tuuletin
Kompressori käy epäsäännöllisesti	Akkukapasiteetti käytetty loppuun	Lataa akku

**Epätavallisia ääniä**

Häiriö	Mahdollinen syy	Korjaus
Kovaa jyrinä	Jokin jäähdytyskierron osa ei pääse liikkumaan vapaasti (osa on kiinni seinässä)	Väännä osaa varovasti irti esteestä
	Vieras esine juuttunut kylmälaitteen ja seinän väliin	Poista vieras esine
	Tuuletinääniä (jos sellainen on)	Puhdista tuulettimen lavat

**13 Tekniset tiedot**

	50	54	55
Kylmäsäilytystilan maks. sisältö:	80 litraa	130 litraa	
Liitäntäjännite:	12 V <sup>===</sup> tai 24 V <sup>===</sup>		
Tehonkulutus:	35–40 W, riippuu höyrystyntypistä		
Jäähdytysainemäärä:	28 g	35 g	
CO <sub>2</sub> -ekvivalentti:	0,040 t	0,050 t	
Vaikutus ilmaston lämpenemiseen (GWP):	1430		
Mitat (L x K x S), mm:	315 x 140 x 170	386x155x130	220x160x220
Paino:	3,74 kg	6,0 kg	6,5 kg

	<b>84</b>	<b>85</b>	<b>86</b>
Kylmäsäilytystilan maks. sisältö:	250 litraa		
Liitäntäjännite:	12 V $\equiv$ tai 24 V $\equiv$		
Jäähdytysainemäärä:	45 g		
CO <sub>2</sub> -ekvivalentti:	0,064 t		
Vaikutus ilmaston lämpenemiseen (GWP):	1430		
Mitat (L x K x S), mm:	386x155x130	220x155x220	220x230x177
Paino:	6,0 kg	6,0 kg	6,5 kg

	<b>94</b>	<b>95</b>	<b>96</b>
Kylmäsäilytystilan maks. sisältö:	400 litraa		
Liitäntäjännite:	12 V $\equiv$ tai 24 V $\equiv$		
Jäähdytysainemäärä:	60 g		
CO <sub>2</sub> -ekvivalentti:	0,086 t		
Vaikutus ilmaston lämpenemiseen (GWP):	1430		
Mitat (L x K x S), mm:	386x155x130	220x155x220	220x230x177
Paino:	6,0 kg	6,0 kg	6,5 kg

	<b>CS-NC15</b>
Kylmäsäilytystilan maks. sisältö:	250 litraa
Liitäntäjännite:	12 V $\equiv$ tai 24 V $\equiv$
Jäähdytysainemäärä:	60 g
CO <sub>2</sub> -ekvivalentti:	0,086 t
Vaikutus ilmaston lämpenemiseen (GWP):	1430
Mitat (L x K x S), mm:	360x255x275
Paino:	8,5 kg

	<b>VD-01</b>	<b>VD-02</b>	<b>VD-03</b>	<b>VD-04</b>
Kylmäsäilytystilan maks. sisältö 35 mm PU-eristystä käytettäessä:	80 litraa	30 litraa	170 litraa	130 litraa
Kylmäsäilytystilan maks. sisältö 50 mm PU-eristystä käytettäessä:	100 litraa	50 litraa	200 litraa	170 litraa
Tehonkulutus:	35 W	35 W	50 W	45 W
Jännite	12 V <sub>===</sub> tai 24 V <sub>===</sub>			
Jäähdytysainemäärä:	17 g		20 g	30 g
CO <sub>2</sub> -ekvivalentti:	0,024 t		0,029 t	0,043 t
Vaikutus ilmastoon lämpenemiseen (GWP):	1430			
Mitat (L x K x S), mm:	300x245x110	275x215x25	380x230x82	375x255x100
Paino:	1,5 kg	1,0 kg	2,0 kg	1,5 kg

	<b>CU-50 + VD-01</b>	<b>CU-50 + VD-02</b>	<b>CU-50 + VD-07</b>
Kylmäsäilytystilan maks. sisältö 35 mm PU-eristystä käytettäessä:	50 litraa	30 litraa	60 litraa
Kylmäsäilytystilan maks. sisältö 50 mm PU-eristystä käytettäessä:	75 litraa	50 litraa	80 litraa
Tehonkulutus:	30 W		
Lämpötila:	ympäristö: 32 °C, sisäinen: 5 °C		

	<b>VD-05</b>	<b>VD-07</b>	<b>VD-08</b>	<b>VD-09</b>
Kylmäsäilytystilan maks. sisältö 35 mm PU-eristystä käytettäessä:	130 litraa	100 litraa	160 litraa	160 litraa
Kylmäsäilytystilan maks. sisältö 50 mm PU-eristystä käytettäessä:	170 litraa	130 litraa	180 litraa	180 litraa

	<b>VD-05</b>	<b>VD-07</b>	<b>VD-08</b>	<b>VD-09</b>
Tehonkulutus:	45 W	35 W	60 W	60 W
Jännite	12 V <sup>===</sup> tai 24 V <sup>===</sup>			
Jäähdytysainemäärä:	30 g	45 g	15 g	65 g
CO <sub>2</sub> -ekvivalentti:	0,043 t	0,064 t	0,021 t	0,093 t
Vaikutus ilmaston lämpenemiseen (GWP):	1430			
Mitat (L x K x S), mm:	375x350x25	255x210x90	450x270x340	365x140x270
Paino:	1,5 kg	1,5 kg	2,0 kg	2,0 kg

	<b>VD-14N</b>	<b>VD-15</b>	<b>VD-18</b>
Kylmäsäilytystilan maks. sisältö 35 mm PU-eristystä käytettäessä:	300 litraa	200 litraa	100 litraa
Kylmäsäilytystilan maks. sisältö 50 mm PU-eristystä käytettäessä:	400 litraa	250 litraa	150 litraa
Tehonkulutus:	80 W	60 W	45 W
Jännite	12 V <sup>===</sup> tai 24 V <sup>===</sup>		
Jäähdytysainemäärä:	15 g		
CO <sub>2</sub> -ekvivalentti:	0,021 t		
Vaikutus ilmaston lämpenemiseen (GWP):	1430		
Mitat (L x K x S), mm:	220x275x65	220x275x65	350x250x25
Paino:	2,5 kg	1,5 kg	1,5 kg

	<b>VD-16</b>	<b>VD-21</b>
Kylmäsäilytystilan maks. sisältö 60 mm PU-eristystä käytettäessä:	130 litraa	250 litraa
Kylmäsäilytystilan maks. sisältö 100 mm PU-eristystä käytettäessä:	200 litraa	300 litraa
Tehonkulutus:	60 W	60 W



	<b>VD-16</b>	<b>VD-21</b>
Jännite	12 V <sup>===</sup> tai 24 V <sup>===</sup>	
Jäähdytysainemäärä:	40 g	10 g
CO <sub>2</sub> -ekvivalentti:	0,057 t	0,014 t
Vaikutus ilmaston lämpenemiseen (GWP):	1430	
Mitat (L x K x S), mm:	330x260x130	1370x305x10
Paino:	2,5 kg	4,0 kg
	<b>VD-16 80-sarjaan</b>	<b>VD-16 90-sarjaan</b>
Kylmäsäilytystilan maks. sisältö 35 mm PU-eristystä käytettäessä:	120 litraa	200 litraa
Kylmäsäilytystilan maks. sisältö 50 mm PU-eristystä käytettäessä:	200 litraa	250 litraa
Tehonkulutus:	65 W	80 W
Jännite	12 V <sup>===</sup> tai 24 V <sup>===</sup>	
Jäähdytysainemäärä:	40 g	
CO <sub>2</sub> -ekvivalentti:	0,057 t	
Vaikutus ilmaston lämpenemiseen (GWP):	1430	
Mitat (L x K x S), mm:	380x300x62	
Paino:	5,0 kg	

**Tarkastus/sertifikaatit:**

Jäähdytyskierto sisältää kylmäainetta R-134a.

Sisältää fluorattuja kasvihuonekaasuja

Пожалуйста, внимательно прочтите и соблюдайте все указания, рекомендации и предупреждения, содержащиеся в этом руководстве по использованию изделия, чтобы гарантировать правильную установку, использование и обслуживание изделия. Эта инструкция ДОПЖНА оставаться вместе с этим изделием.

Используя изделие, вы тем самым подтверждаете, что внимательно прочитали все указания, рекомендации и предупреждения, а также, что вы понимаете и соглашаетесь соблюдать положения и условия, изложенные в настоящем документе. Вы соглашаетесь использовать это изделие только по прямому назначению и в соответствии с указаниями, рекомендациями и предупреждениями, изложенными в данном руководстве по использованию изделия, а также в соответствии со всеми применимыми законами и правилами. Несоблюдение указаний и предупреждений, изложенных в данном документе может привести к травмам вас и других лиц, повреждению вашего изделия или повреждению другого имущества, находящегося поблизости. Данное руководство по использованию изделия, включая указания, рекомендации и предупреждения, а также сопутствующую документацию, может подвергаться изменениям и обновлениям. Актуальную информацию о продукте можно найти на сайте [dometic.com](http://dometic.com).

## Содержание

1	Пояснение к символам . . . . .	274
2	Указания по технике безопасности . . . . .	275
3	Комплект поставки . . . . .	277
4	Аксессуары . . . . .	277
5	Использование по назначению . . . . .	278
6	Техническое описание . . . . .	278
7	Монтаж холодильного агрегата . . . . .	280
8	Использование холодильного агрегата . . . . .	287
9	Использование аккумулятора холода . . . . .	289
10	Гарантия . . . . .	290
11	Утилизация . . . . .	291
12	Устранение неисправностей . . . . .	291
13	Технические характеристики . . . . .	293

## 1 Пояснение к символам



### ОПАСНОСТЬ!

**Указание по технике безопасности**, указывающее на опасную ситуацию, которая ведет к смерти или серьезной травме, если ее не предотвратить.

**ПРЕДУПРЕЖДЕНИЕ!**

**Указание по технике безопасности**, указывающее на опасную ситуацию, которая может привести к смерти или серьезной травме, если ее не предотвратить.

**ОСТОРОЖНО!**

**Указание по технике безопасности**, указывающее на опасную ситуацию, которая может привести к травмам легкой или средней тяжести, если ее не предотвратить.

**ВНИМАНИЕ!**

Указание на ситуацию, которая может привести к материальному ущербу, если ее не предотвратить.

**УКАЗАНИЕ**

Дополнительная информация по управлению продуктом.

## 2 Указания по технике безопасности

### 2.1 Основные указания по технике безопасности

**ОПАСНОСТЬ!**

- **Опасность смертельных травм!**  
**При использовании на катерах и лодках:** при работе от сети строго следите за тем, чтобы электропитание было защищено устройством защитного отключения.

**ПРЕДУПРЕЖДЕНИЕ!**

- Монтаж и ремонт данного устройства разрешается выполнять только квалифицированному персоналу. Ненадлежащий ремонт может привести к значительным опасностям.  
При необходимости ремонта обратитесь в сервисный центр.
- Запрещается эксплуатировать устройство, если оно имеет видимые повреждения.
- Категорически запрещается вскрывать холодильный контур. Единственное исключение существует в случае необходимости отсоединения устройства для обратной отсылки (гл. «Монтаж внешнего терморегулятора» на стр. 283).

- Установите устройство в сухом, защищенном от брызг месте.
- Не устанавливайте устройство вблизи открытого огня или других источников тепла (радиаторов отопления, сильных солнечных лучей, газовых печей и т. п.).
- Следите за достаточной вентиляцией компрессора.
- **Электронные приборы не являются детскими игрушками!**  
Поэтому всегда храните и используйте устройство в недоступном для детей месте.
- Лица (в том числе дети), которые в связи с ограниченными физическими, сенсорными или умственными способностями или с недостатком опыта или знаний не в состоянии пользоваться данным изделием, не должны использовать это изделие без присмотра или инструктажа ответственного лица.
- Перед вводом устройства в эксплуатацию убедитесь в том, что рабочее напряжение идентично напряжению аккумулятора (см. заводскую табличку).
- В случае повреждения питающего кабеля, во избежание опасностей его необходимо заменить. Заменяйте поврежденный соединительный кабель только на кабель с аналогичными техническими данными и конструкцией.
- Не храните в устройстве взрывоопасные вещества, например, аэрозольные баллоны с горючим газом-вытеснителями.

## 2.2 Безопасная эксплуатация устройства



### **ОПАСНОСТЬ! Опасность смертельных травм!**

- Не беритесь голыми руками за оголенные провода. Это, прежде всего, касается работы от сети переменного тока.



### **ВНИМАНИЕ!**

- Не используйте для очистки испарителя чистящие средства, содержащие песок, кислоты или растворители.
- Предохраняйте устройство от действия дождя и влаги.
- Отсоедините холодильный агрегат и другие потребители от аккумуляторной батареи, прежде чем присоединить устройство для ускоренного заряда.



### УКАЗАНИЕ

- Отсоединяйте устройство от источника электропитания, если Вы предполагаете не использовать его длительное время.

## 2.3 Техника безопасности при обращении с аккумуляторными батареями



### ОСТОРОЖНО! Опасность травмирования!

- Аккумуляторные батареи могут содержать агрессивные и едкие электролиты. Избегайте любого контакта с электролитом. При попадании электролита на кожу тщательно промойте эту часть тела водой.
- Присоединяя прибор к аккумулятору, убедитесь в том, что продукты питания не контактируют с электролитом.

## 3 Комплект поставки

Количество	Наименование
1	Холодильный агрегат или испаритель
1	Инструкция по эксплуатации

## 4 Аксессуары

Если вы хотите эксплуатировать холодильный агрегат от сети переменного тока 230 В, то используйте один из следующих выпрямителей.

Не входят в комплект поставки и приобретаются отдельно:

Наименование	Арт. №
Выпрямитель CoolPower EPS100 для устройств с компрессором BD 35F (серия 50/80/CS/CS)	9600000440
Выпрямитель CoolPower MPS 35 для устройств с компрессором BD 35F (серия 50/80/CS/CS)	9600000445
Выпрямитель CoolPower MPS 50 для устройств с компрессором BD 50F (серия 90)	9600000441

## 5 Использование по назначению

Холодильный агрегат предназначен для самостоятельного изготовления холодильников.

Холодильный агрегат предназначен для охлаждения и глубокого охлаждения продуктов питания. Устройство может использоваться на катерах и лодках.

Это изделие подходит только для использования по назначению и применения в соответствии с данной инструкцией.

В данной инструкции содержится информация, необходимая для правильного монтажа и/или эксплуатации изделия. Неправильный монтаж и/или ненадлежащая эксплуатация или техническое обслуживание приводят к неудовлетворительной работе и возможному отказу.

Изготовитель не несет ответственности за какие-либо травмы или повреждение продукта в результате следующих причин:

- Неправильная сборка или подключение, включая повышенное напряжение
- Неправильное техническое обслуживание или использование запасных частей, отличных от оригинальных запасных частей, предоставленных изготовителем
- Изменения в продукте, выполненные без однозначного разрешения изготовителя
- Использование в целях, отличных от указанных в данной инструкции

Компания Dometic оставляет за собой право изменять внешний вид и технические характеристики продукта.

## 6 Техническое описание

Холодильные агрегаты предназначены для работы от источника постоянного тока 12 В или 24 В и пригодны для эксплуатации в кемпингах или на катерах и лодках. Кроме того, их можно подключить к источнику питания 230 В через выпрямители (см. гл. «Аксессуары» на стр. 277).

При применении на катерах и лодках холодильный агрегат может быть подвергнут постоянному крену в 30°.

Холодильный агрегат должен быть укомплектован испарителем. Дополнительно Вы можете использовать аккумулятор холода с устройством управления ТЕС или без него. **CS-NC15** содержит холодильный агрегат и испаритель.

С помощью термостата на испарителе можно плавно регулировать требуемую температуру.

Аккумулятор холода и устройство программного управления ТЕС способствуют высокой холодопроизводительности и повышают эффективность работы. Аккумулятор заряжается, когда существует достаточная подача питания (например, при питании от сетевого адаптера). В случае использования аккумулятора или пониженного напряжения, хладагент вытягивается из аккумулятора до тех пор, пока тот не станет пустым. Это снимает нагрузку с аккумуляторной батареи.

Устройство программного управления ТЕС служит для того, чтобы

- энергия для производства холода аккумулировалась, если имеется избыточная электрическая энергия (питание от внешнего источника, например, генератора, зарядного устройства, блока питания и т. п.)
- можно было в любой момент обратиться к аккумулятору холода, чтобы предоставить всю энергию батареи в распоряжение других потребителей.
- Накопленная энергия для производства холода автоматически отбирается, чтобы сохранить внутреннюю температуру охлаждения зоны охлаждения, как только емкость батареи исчерпана.



#### УКАЗАНИЕ

Дальнейшая информация об аккумуляторе холода приведена в гл. «Использование аккумулятора холода» на стр. 289.

## 6.1 Защитное реле

Холодильный агрегат имеет электронное оборудование с защитой от неправильной полярности при подключении к аккумулятору. Для защиты батареи холодильный агрегат автоматически отключается в случае недостаточного напряжения (см. следующие таблицы).

### Приборы без устройства управления ТЕС

Напряжение питания	Напряжение отключения	Напряжение повторного включения
12 В	10,4 В	11,7 В
24 В	22,8 В	24,2 В

## Приборы с устройством управления ТЕС

Напряжение питания	Напряжение отключения	Напряжение повторного включения
12 В	10,7 В	13,0 В
24 В	22,0 В	26,0 В

## 7 Монтаж холодильного агрегата



### ПРЕДУПРЕЖДЕНИЕ!

Монтаж разрешается выполнять только обученному персоналу.

### 7.1 Требуемый инструмент

Для **установки и монтажа** требуется следующий инструмент:

- дрель
- отвертка
- гаечный рожковый ключ: 16 мм, 19 мм и 21 мм
- герметик и монтажная пена
- кабель, кабельный наконечник и кабельный хомут
- синтетическое масло

### 7.2 Указания в отношении охлаждаемого контейнера

#### Допустимый объем холодильной камеры

Убедитесь, что для соответствующего типа испарителя не превышено максимальное значение объема холодильной камеры (см. гл. «Технические характеристики» на стр. 293).

#### Минимальная изоляция

Максимальный объем холодильной камеры основывается на минимальной изоляции из пенополиуретана толщиной 35 мм с объемной массой 40 кг/м<sup>3</sup>. При использовании других изоляционных материалов, например, стиропора, толщину стенок следует увеличить вдвое, чтобы добиться такой же теплоизоляции.



## Монтаж испарителя

Испаритель должен быть установлен в охлаждаемом контейнере (за исключением **CS-NC15**, испаритель предварительно установлен).

При этом соблюдайте следующие указания:

- правильное положение монтажа (рис. **3**, стр. 4 - рис. **9**, стр. 6)
- расположение как можно выше в охлаждаемом контейнере
- установка на расстоянии не менее 10 мм от стенки (**не для VD-14N и VD-15**).



### ВНИМАНИЕ!

В холодильных агрегатах без вентильных муфт (готовые к монтажу узлы): при монтаже не вскрывайте холодильный контур. При известных обстоятельствах, проемы в стенках должны быть настолько большими, чтобы можно было вставить испаритель (рис. **11**, стр. 6). Если вы выполняете проем так, чтобы охлаждающие трубопроводы можно было установить сверху (рис. **12**, стр. 6).

## Присоединение испарителя

- Присоедините испарители **VD-14N и VD-15**, как показано на рис. **10**, стр. 6.
- Присоедините испаритель **VD-16**, как показано на рис. **9**, стр. 6.
- Присоедините испарители, как показано на рис. **19**, стр. 9.

## Пояснения к рисункам

Поз. на рис. <b>8</b> , стр. 5	Пояснение
1	Вентилятор постоянного тока
2	Кнопка термостата
3	Соединительный штекер вентилятора постоянного тока
4	Термостат
5	Соединительный кабель

Поз. на рис. <b>9</b> , стр. 6	Пояснение
1	Соединительный кабель

Поз. на рис. <b>10</b> , стр. 6	Пояснение
1	Соединительный кабель

Поз. на рис. <b>19</b> , стр. 9 и рис. <b>20</b> , стр. 9	Пояснение
1	Блок подключения
2	Компрессор
3	Вентилятор
4	Выключатель рис. <b>19</b> или устройство управления TEC рис. <b>20</b>

**ВНИМАНИЕ!**

После окончания монтажа заизолируйте и уплотните проемы в стенках от проникновения влаги.

**В холодильных агрегатах с вентильными муфтами**

- ▶ Для ввода охлаждающих трубопроводов выполните вырез с диаметром не менее 30 мм (рис. **13**, стр. 7). Для этого используйте устройство для вырезания кругов.

**ВНИМАНИЕ!**

Запрещается перегибать соединительный трубопровод между испарителем и агрегатом. Радиус изгиба должен составлять не менее 25 мм.

**7.3 Монтаж холодильного агрегата**

Правильный выбор места монтажа агрегата имеет очень важное значение. Для обеспечения бесперебойной работы прибора соблюдайте следующие пункты:

- Установите холодильный агрегат в сухом, защищенном месте. Избегайте установки вблизи источников тепла, например, радиаторов отопления, газовых печей, труб горячей воды и т. п. Не устанавливайте под прямыми солнечными лучами.
- По возможности, устанавливайте холодильный агрегат на катерах ниже ватерлинии.

- Холодильный агрегат может работать с наклоном до 30°. Установите холодильный агрегат на ровную плоскую поверхность, чтобы он мог работать при более сильном наклоне.
- Нагретый воздух должен беспрепятственно отводиться (рис. **14**, стр. 7).
- При монтаже холодильных агрегатов в закрытом помещении, например, гардеробе, кладовой или шкафчике, необходимо предусмотреть отверстия со свободным поперечным сечением не менее 200 см<sup>2</sup> (25 см x 8 см) для приточно-вытяжной вентиляции.
- Следите за тем, чтобы не нарушался поток воздуха на конденсаторе (рис. **14** С, стр. 7).
- Минимальное расстояние между конденсатором и прилегающей стенкой должно составлять 50 мм.
- **CS-NC15:** При монтаже учитывайте изображение сверлильного шаблона (рис. **21**, стр. 11) и монтажный чертеж (рис. **22**, стр. 12).

## 7.4 Монтаж внешнего терморегулятора

### Механический термостат

Терморегулятор может быть установлен внутри или вне охлаждаемого контейнера. Внутренняя температура регулируется в зависимости от температуры поверхности испарителя или, **для VD-14N и VD-15**, в зависимости от температуры в помещении.

- ▶ Подключите спиральный конец кабеля датчика к испарителю (рис. **15**, стр. 8, **не для VD-14N, VD-15**) с использованием зажимной пластины. Это предварительно смонтировано на **VD-14N, VD-15**.
- ▶ Следите за тем, чтобы линия датчика не соприкасалась в другом месте с испарителем или всасывающим трубопроводом.

### Устройство управления TEC

Регулятор TEC (устройство управления) должен быть установлен вне охлаждаемого контейнера. Регулирование внутренней температуры выполняется в зависимости от температуры поверхности испарителя.

Датчик температуры уже закреплен на аккумуляторе энергии.

- ▶ Соедините датчик температуры с устройством управления TEC посредством штекерного разъема.

**Монтаж одноразовых муфт (не для CS-NC15)****ВНИМАНИЕ!**

Только лица, которые обладают опытом и знаниями в области холодильной технологии, могут присоединять одноразовые муфты. Необходимо соблюдать общие положения по обращению с хладагентами! Одноразовые муфты подходят для подключения холодильных агрегатов только один раз. Повторное открытие или неправильное подключение муфт приводит к полной потере хладагента и к отказу холодильного агрегата!

В таких случаях два ранее подключенных части холодильного агрегата должны быть разобраны и отправлены на завод, где одноразовые муфты будут заменены, а изделие пополнено хладагентом.

Два компонента холодильного агрегата – испаритель и компрессорно-конденсаторный агрегат – поставляются отдельно. Компоненты соединяются одноразовыми муфтами. Количество хладагента, необходимое для эксплуатации всего холодильного агрегата, уже содержится в двух компонентах. Поэтому последующее заполнение хладагентом не требуется.

- ▶ Соберите компрессорно-конденсаторный агрегат и блок испарителя.
- ▶ Снимите защитные колпачки и заглушки с неприсоединенных половин одноразовых муфт компрессорно-конденсаторного агрегата и блока испарителя.
- ▶ Осторожно очистите седло муфты и резьбовую поверхность, чтобы предотвратить попадание грязи или инородного материала в систему.

**ВНИМАНИЕ! Опасность утечек хладагента**

- Всегда используйте два ключа при затягивании одноразовых муфт, чтобы предотвратить скручивание труб!
- Повторное использование одноразовых муфт не допускается!
- Определите, доступ гаечным ключом к какому из двух соединений сложнее и сначала подключить его.
- Всегда соединяйте только одно соединение одноразовой муфты, а затем второе.

**УКАЗАНИЕ**

Уплотнительное кольцо является промежуточным уплотнением во время начального подключения одноразовых муфт. Это уплотнительное кольцо используется только для начального уплотнения между отверстием диафрагмы и конечным металлическим уплотнением. Герметичное уплотнение достигается только металлической связью между двумя полумуфтами.

- ▶ Нанесите холодильное масло на внутренние и внешние резьбы и внутренние оправки (рис. **16**, стр. 8).
- ▶ Подключите две полумуфты и сначала свинтите их от руки (рис. **17**, стр. 8). Не используйте гаечный ключ!

**Одноразовая муфта с соединительной гайкой:**

- ▶ Привинтите полумуфту соединительной гайки с использованием гаечного ключа размером на 21 мм и гаечного ключа размером на 19 мм до конца нити резьбы до того, как начнет ощущаться заметное сопротивление. Еще не затягивайте резьбовое соединение.

Гаечный ключ размером на 19 мм служит направляющей при привинчивании соединительной гайки.

**Соединение одноразовой муфты с внешней резьбой:**

- ▶ Привинтите полумуфту соединительной гайки с использованием гаечного ключа размером на 21 мм и гаечного ключа размером на 16 мм до конца нити резьбы до того, как начнет ощущаться заметное сопротивление. Еще не затягивайте резьбовое соединение.

Гаечный ключ размером на 16 мм служит для удержания при привинчивании соединительной гайки.

- ▶ Используя карандаш, нарисуйте линию от соединительной гайки до кронштейна противоположной полумуфты.
- ▶ Теперь плотно затяните соединительную гайку с моментом затяжки 30 Нм или еще 1/4 оборота. Смещение линии показывает, насколько сильно была затянута одноразовая муфта.  
Этот последний ход необходим, чтобы обеспечить герметичность соединения между полумуфтами.

**УКАЗАНИЕ**

Расстояние между началом соединительной гайки и шестигранником внешней резьбы не должно превышать 3 мм (рис. **17**, стр. 8).

- ▶ Выполните проверку герметичности муфтовых соединений. Это гарантирует, что одноразовые муфты правильно подключены, и уплотнение функционально.

## 7.5 Присоединение холодильного агрегата

### Подключение к аккумуляторной батарее

Холодильный агрегат может работать от источника постоянного напряжения 12 В или 24 В.



#### ВНИМАНИЕ!

Во избежание потерь напряжения и мощности кабель должен быть как можно короче. и не рекомендуется использовать дополнительные выключатели, штепсеры или распределительные коробки.

- ▶ Определите необходимое поперечное сечение кабеля в зависимости от его длины по рис. 18, стр. 8.  
Пояснения к рис. 18, стр. 8

Ось координат	Значение	Блок
l	Длина кабеля	м
∅	Поперечное сечение кабеля	мм <sup>2</sup>



#### ВНИМАНИЕ!

Соблюдайте правильную полярность.

- ▶ Перед первым вводом устройства в эксплуатацию убедитесь в том, что рабочее напряжение идентично напряжению аккумулятора (см. заводскую табличку).
- ▶ Подключите холодильный агрегат
  - по возможности, прямо к полюсу батареи, или
  - к разъему, который защищен предохранителем не менее чем на 15 А (при 12 В) или 7,5 А (при 24 В).

**ВНИМАНИЕ!**

Прежде чем подключить устройство быстрой зарядки, отсоедините холодильный агрегат и других потребителей от аккумуляторной батареи. Перенапряжение может повредить электронное оборудование подключенных потребителей.

Холодильный агрегат оснащен электронной системой, защищающей его в случае неправильной полярности. Она защищает холодильный агрегат при присоединении к батарее.

**Подключение к сети 230 В****ПРЕДУПРЕЖДЕНИЕ!**

- Не беритесь за вилки и выключатели влажными руками или стоя ногами на мокрой поверхности.
- Если охлаждающее устройство на борту катера работает от береговой сети 230 В, необходимо установить автоматический выключатель дифференциальной защиты между сетью 230 В и охлаждающим устройством.  
Проконсультируйтесь со специалистом.

- Для эксплуатации холодильного агрегата от сети 230 В используйте выпрямитель
- CoolPower EPS100 для устройств с компрессором BD 35F (серия 50/80/CS/CS),
  - CoolPower MPS 35 для устройств с компрессором BD 35F (серия 50/80/CS/CS),
  - CoolPower MPS 50 для устройств с компрессором BD 50F (серия 90)

**УКАЗАНИЕ**

Выходное напряжение указанного выпрямителя составляет 24 В. Помните об этом при позднейшем подключении других потребителей.

## 8 Использование холодильного агрегата

### 8.1 Советы по энергосбережению

- Разместите холодильник в хорошо проветриваемом месте, защищенном от прямых солнечных лучей.
- Дайте теплым блюдам охладиться, прежде чем поставить их в холодильник.

- Не открывайте охлаждающий контейнер чаще, чем это действительно необходимо.
- Не оставляйте дверцу открытой дольше, чем это действительно необходимо.
- Оттаивайте охлаждающий контейнер, как только образовался слой льда.
- Избегайте излишне низкую внутреннюю температуру!
- Регулярно очищайте конденсатор от загрязнений и пыли.
- Регулярно очищайте уплотнение крышки.

## 8.2 Ввод холодильного агрегата в работу

### Приборы без устройства управления ТЕС

- ▶ Включите холодильный агрегат, повернув кнопку управления по часовой стрелке (рис. **1** А1 или В1, стр. 3).

Если вы повернете кнопку управления дальше, то сможете регулировать температуру. Устройства с функцией аккумулятора энергии дополнительно имеют кнопку обращения к аккумулятору (рис. **1** А2, стр. 3).



#### УКАЗАНИЕ

Если красный светодиод мигает или светится, это означает, что имеется неисправность и система не готова к работе (см. таблицу неисправностей в гл. «Светодиод на термозащитном элементе (рис. **1** 2, стр. 3)» на стр. 291).

### Приборы с устройством управления ТЕС

Приборы с устройством управления ТЕС вводятся в работу главным выключателем (рис. **2** 6, стр. 3). Затем можно отрегулировать температуру регулятором температуры (рис. **2** 5, стр. 3).

## 8.3 Вывод холодильного агрегата из работы

При прекращении эксплуатации холодильного агрегата на длительный срок соблюдайте следующий порядок действий:

- ▶ **Приборы без устройства управления ТЕС:** Поверните кнопку управления в положение 0.
- ▶ **Приборы с устройством управления ТЕС:** Выключите устройство главным выключателем (рис. **2** 6, стр. 3).



- ▶ Отсоедините кабель питания от аккумулятора или вытяните штекер кабеля постоянного тока из выпрямителя.
- ▶ Очистите холодильник.
- ▶ Оставьте дверцу или крышку слегка открытой. Это предотвратит возникновение запахов.

## 9 Использование аккумулятора холода

### 9.1 Органы управления и индикации приборов с устройством программного управления ТЕС

Поз. на рис. <b>2</b> , стр. 3	Пояснение
1	зеленый индикатор: указывает, что компрессор работает.
2	Желтый светодиод: указывает на то, что внешний источник питания присутствует (напряжение выше 13,5 В или 27,0 В). Светодиод мигает, если напряжение внешнего источника питания слишком низкое (напряжение $\leq 10,7$ В или 21,7 В. Версия E: $\leq 10,7$ В или 22,0 В).
3	Красный светодиод: указывает, что аккумулятор разряжается <ul style="list-style-type: none"> <li>• нажатием на кнопку обращения к аккумулятору</li> <li>• Отключение при пониженном напряжении (напряжение <math>\leq 10,7</math> В или 21,4 В. Версия E: <math>\leq 10,7</math> В или 22,0 В).</li> </ul>
4	Кнопка обращения к аккумулятору: прерывает работу компрессора, пока <ul style="list-style-type: none"> <li>• не будет использована накопленная энергия для производства холода</li> <li>• После пониженного напряжения не будет снова установлено напряжение питания от внешнего источника.</li> </ul>
5	Регулятор температуры: позволяет установить температуру в зоне охлаждения по мере необходимости Мин. (левый предел) = настройка наименьшей температуры Макс. (правый предел) = настройка наибольшей температуры
6	Главный выключатель: для включения и выключения охлаждающего устройства. Положение 0 = выключено Положение – = включено

## 9.2 Функция аккумулятора холода

Функция аккумулятора холода гарантирует, что энергия для производства холода накапливается автоматически (до 8 часов), если имеется достаточная электрическая мощность, например, при питании от сетевого адаптера.

Обращение к накопленному холоду выполняется

- автоматически при достижении напряжения выключения (см. табл. на стр. 279)
- или вручную нажатием кнопки обращения к аккумулятору (рис. **1** A2 или рис. **2** 4, стр. 3).



### УКАЗАНИЕ

Обращение к аккумулятору холода может быть выполнено вручную только в том случае, если он ранее был полностью заряжен.

Аккумулятор холода автоматически снова заряжается,

- если превышено напряжение повторного включения
- или аккумулятор пуст, и вы выключаете устройство и снова включаете, используя кнопку управления (рис. **2** 6, стр. 3. Зработает только на VD-06).



### ВНИМАНИЕ!

Если вы обращаетесь к аккумулятору холода, хотя имеется питание от внешнего источника – например, чтобы предотвратить шум от работы компрессора – то выключите агрегат главным выключателем (рис. **1** B1 или рис. **2** 6, стр. 3).



### УКАЗАНИЕ

Учтите: чем ниже внутренняя температура, тем выше расход электроэнергии!

## 10 Гарантия

Действителен установленный законом срок гарантии. Если продукт неисправен, обратитесь в представительство изготовителя в Вашей стране (см. [dometic.com/dealer](http://dometic.com/dealer)) или в торговую организацию.

В целях проведения ремонта или гарантийного обслуживания Вы должны также послать следующие документы:

- копию счета с датой покупки,
- причину рекламации или описание неисправности.

## 11 Утилизация

- По возможности, выкидывайте упаковочный материал в мусор, подлежащий вторичной переработке.



Если Вы окончательно выводите продукт из эксплуатации, то получите информацию в ближайшем центре по вторичной переработке или в торговой сети о соответствующих предписаниях по утилизации.

## 12 Устранение неисправностей

### Светодиод на термоэлементе (рис. 1 2, стр. 3)

Количество вспышек	Тип неисправности	Устранение
1	Защитное отключение батареи	Проверить напряжение батареи, предохранитель и поперечное сечение кабеля
2	Отключение по перегрузке вентилятора	Проверить ток вентилятора кондиционера и испарителя: суммарное целевое значение < 0,5 А
3	Неисправность пуска компрессора	Разгрузить систему охлаждения: <ul style="list-style-type: none"> <li>• Обеспечить хорошую вентиляцию вокруг холодильного агрегата</li> <li>• Хранить предварительно охлажденные товары</li> </ul>
4	Отключение по перегрузке компрессора	Разгрузить систему охлаждения: <ul style="list-style-type: none"> <li>• Обеспечить хорошую вентиляцию вокруг холодильного агрегата</li> <li>• Хранить предварительно охлажденные товары</li> </ul>
5	Защитное отключение электроникой	Разгрузить систему охлаждения: <ul style="list-style-type: none"> <li>• Обеспечить хорошую вентиляцию вокруг холодильного агрегата</li> </ul>

**Компрессор не работает**

Неисправность	Возможные причины	Устранение
$U_T = 0 \text{ В}$	Соединение между аккумулятором и – электронного модуля прервано	Восстановить соединение
	Неисправен главный выключатель (если имеется)	Заменить главный выключатель
	Перегорел дополнительный линейный предохранитель (если имеется)	Заменить предохранитель
$U_T \leq U_{\text{вкл}}$	Слишком низкое напряжение аккумулятора	Зарядить аккумулятор
Попытка пуска с $U_T \leq U_{\text{выкл}}$	Ослабленное кабельное соединение Плохой контакт (коррозия)	Восстановить соединение
	Слишком низкая емкость аккумулятора	Заменить аккумулятор
	Слишком низкое поперечное сечение кабеля	Заменить кабель (рис. 18, стр. 8)
Попытка пуска с $U_T \geq U_{\text{вкл}}$	Слишком высокая температура окружающей среды	–
	Недостаточная вентиляция и/или охлаждение	Обеспечить лучшую приточно-вытяжную вентиляцию холодильного агрегата
	Загрязнен конденсатор	Очистить конденсатор
	Неисправен вентилятор (если имеется)	Замените вентилятор

$U_T$  Напряжение между положительным и отрицательным выводом электронного модуля

$U_{\text{вкл}}$  Напряжение включения электронного модуля

$U_{\text{выкл}}$  Напряжение отключения электронного модуля

**Слишком низкая внутренняя температура в положении регулятора «1»**

Неисправность	Возможные причины	Устранение
Компрессор работает непрерывно	Отсутствует контакт датчика термостата с испарителем	Закрепить датчик
	Неисправен термостат	Заменить термостат
Компрессор работает долго	В морозильной камере было заморожено большое количество продуктов	–

**Мощность охлаждения падает, внутренняя температура растет**

Неисправность	Возможные причины	Устранение
Компрессор работает долго/непрерывно	Обледенел испаритель	Разморозить испаритель
	Слишком высокая температура окружающей среды	–
	Недостаточная вентиляция и/или охлаждение	Обеспечить лучшую приточно-вытяжную вентиляцию холодильного агрегата
	Загрязнен конденсатор	Очистить конденсатор
	Неисправен вентилятор (если имеется)	Замените вентилятор
Компрессор работает редко	Низкий заряд аккумулятора	Зарядить аккумулятор

**Необычные шумы**

Неисправность	Возможные причины	Устранение
Громкое гудение	Деталь холодильного контура не может свободно колебаться (прилегает к стенке)	Осторожно изогнуть деталь
	Посторонний предмет зажат между холодильным агрегатом и стенкой	Удалить инородный предмет
	Шум при работе вентилятора (если имеется)	Очистить крыльчатку вентилятора

**13 Технические характеристики**

	50	54	55
Макс. объем холодильной камеры:	80 л	130 л	
Подводимое напряжение:	12 В $\equiv$ или 24 В $\equiv$		
Потребляемая мощность:	35–40 Вт, в зависимости от типа испарителя		
Количество хладагента:	28 кг	35 кг	
Эквивалент CO <sub>2</sub> :	0,040 т	0,050 т	

	<b>50</b>	<b>54</b>	<b>55</b>
Потенциал глобального потепления (GWP):	1430		
Размеры (Ш x В x Г), мм:	315 x 140 x 170	386x155x130	220x160x220
Вес:	3,74 кг	6,0 кг	6,5 кг

	<b>84</b>	<b>85</b>	<b>86</b>
Макс. объем холодильной камеры:	250 л		
Подводимое напряжение:	12 В <sup>===</sup> или 24 В <sup>===</sup>		
Количество хладагента:	45 г		
Эквивалент CO <sub>2</sub> :	0,064 т		
Потенциал глобального потепления (GWP):	1430		
Размеры (Ш x В x Г), мм:	386x155x130	220x155x220	220x230x177
Вес:	6,0 кг	6,0 кг	6,5 кг

	<b>94</b>	<b>95</b>	<b>96</b>
Макс. объем холодильной камеры:	400 л		
Подводимое напряжение:	12 В <sup>===</sup> или 24 В <sup>===</sup>		
Количество хладагента:	60 г		
Эквивалент CO <sub>2</sub> :	0,086 т		
Потенциал глобального потепления (GWP):	1430		
Размеры (Ш x В x Г), мм:	386x155x130	220x155x220	220x230x177
Вес:	6,0 кг	6,0 кг	6,5 кг

	<b>CS-NC15</b>
Макс. объем холодильной камеры:	250 л
Подводимое напряжение:	12 В <sup>===</sup> или 24 В <sup>===</sup>
Количество хладагента:	60 г
Эквивалент CO <sub>2</sub> :	0,086 т
Потенциал глобального потепления (GWP):	1430
Размеры (Ш x В x Г), мм:	360x255x275
Вес:	8,5 кг

	<b>VD-01</b>	<b>VD-02</b>	<b>VD-03</b>	<b>VD-04</b>
Макс. объем холодильной камеры при полиуретановой изоляции толщиной 35 мм:	80 л	30 л	170 л	130 л
Макс. объем холодильной камеры при полиуретановой изоляции толщиной 50 мм:	100 л	50 л	200 л	170 л
Потребляемая мощность:	35 Вт	35 Вт	50 Вт	45 Вт
Напряжение	12 В <sup>===</sup> или 24 В <sup>===</sup>			
Количество хладагента:	17 кг		20 кг	30 кг
Эквивалент CO <sub>2</sub> :	0,024 т		0,029 т	0,043 т
Потенциал глобального потепления (GWP):	1430			
Размеры (Ш x В x Г), мм:	300x245x110	275x215x25	380x230x82	375x255x100
Вес:	1,5 кг	1,0 кг	2,0 кг	1,5 кг

	<b>CU-50 + VD-01</b>	<b>CU-50 + VD-02</b>	<b>CU-50 + VD-07</b>
Макс. объем холодильной камеры при полиуретановой изоляции толщиной 35 мм:	50 л	30 л	60 л
Макс. объем холодильной камеры при полиуретановой изоляции толщиной 50 мм:	75 л	50 л	80 л
Потребляемая мощность:	30 Вт		
Температура:	окружающая: 32 °С, внутренняя: 5 °С		

	<b>VD-05</b>	<b>VD-07</b>	<b>VD-08</b>	<b>VD-09</b>
Макс. объем холодильной камеры при полиуретановой изоляции толщиной 35 мм:	130 л	100 л	160 л	160 л
Макс. объем холодильной камеры при полиуретановой изоляции толщиной 50 мм:	170 л	130 л	180 л	180 л
Потребляемая мощность:	45 Вт	35 Вт	60 Вт	60 Вт
Напряжение	12 В <sup>===</sup> или 24 В <sup>===</sup>			
Количество хладагента:	30 кг	45 г	15 кг	65 г
Эквивалент CO <sub>2</sub> :	0,043 т	0,064 т	0,021 т	0,093 т
Потенциал глобального потепления (GWP):	1430			
Размеры (Ш x В x Г), мм:	375x350x25	255x210x90	450x270x340	365x140x270
Вес:	1,5 кг	1,5 кг	2,0 кг	2,0 кг



	<b>VD-14N</b>	<b>VD-15</b>	<b>VD-18</b>
Макс. объем холодильной камеры при полиуретановой изоляции толщиной 35 мм:	300 л	200 л	100 л
Макс. объем холодильной камеры при полиуретановой изоляции толщиной 50 мм:	400 л	250 л	150 л
Потребляемая мощность:	80 Вт	60 Вт	45 Вт
Напряжение	12 В <sup>===</sup> или 24 В <sup>===</sup>		
Количество хладагента:	15 кг		
Эквивалент CO <sub>2</sub> :	0,021 т		
Потенциал глобального потепления (GWP):	1430		
Размеры (Ш x В x Г), мм:	220x275x65	220x275x65	350x250x25
Вес:	2,5 кг	1,5 кг	1,5 кг

	<b>VD-16</b>	<b>VD-21</b>
Макс. объем холодильной камеры при полиуретановой изоляции толщиной 60 мм:	130 л	250 л
Макс. объем холодильной камеры при полиуретановой изоляции толщиной 100 мм:	200 л	300 л
Потребляемая мощность:	60 Вт	60 Вт
Напряжение	12 В <sup>===</sup> или 24 В <sup>===</sup>	
Количество хладагента:	40 г	10 кг

	<b>VD-16</b>	<b>VD-21</b>
Эквивалент CO <sub>2</sub> :	0,057 т	0,014 т
Потенциал глобального потепления (GWP):	1430	
Размеры (Ш x В x Г), мм:	330x260x130	1370x305x10
Вес:	2,5 кг	4,0 кг
	<b>VD-16 для серии 80</b>	<b>VD-16 для серии 90</b>
Макс. объем холодильной камеры при полиуретановой изоляции толщиной 35 мм:	120 л	200 л
Макс. объем холодильной камеры при полиуретановой изоляции толщиной 50 мм:	200 л	250 л
Потребляемая мощность:	65 Вт	80 Вт
Напряжение	12 В <sup>===</sup> или 24 В <sup>===</sup>	
Количество хладагента:	40 г	
Эквивалент CO <sub>2</sub> :	0,057 т	
Потенциал глобального потепления (GWP):	1430	
Размеры (Ш x В x Г), мм:	380x300x62	
Вес:	5,0 кг	

**Испытания/сертификаты:**

В холодильном агрегате используется хладагент R-134a.

Содержит фторированные парниковые газы

Prosimy o uważne przeczytanie niniejszej instrukcji i przestrzeganie wszystkich instrukcji, wskazówek i ostrzeżeń zawartych w niniejszej instrukcji produktu. Pozwoli to przez cały czas zapewnić prawidłową instalację, zastosowanie oraz konserwację produktu. Niniejsza instrukcja MUSI przez cały czas pozostawać przy produkcie.

Korzystając z produktu, użytkownik potwierdza uważne przeczytanie wszelkich instrukcji, wskazówek i ostrzeżeń, ich zrozumienie oraz zobowiązuje się przestrzegać zawartych w nich warunków. Użytkownik zobowiązuje się wykorzystywać niniejszy produkt wyłącznie zgodnie z jego przeznaczeniem i zamierzonym zastosowaniem oraz z instrukcjami, wskazówkami i ostrzeżeniami wyszczególnionymi w niniejszej instrukcji produktu, jak również ze wszystkimi mającymi zastosowanie przepisami i regulacjami prawnymi. Nieprzestrzeganie zawartych tu instrukcji i ostrzeżeń może skutkować obrażeniami u użytkownika oraz osób trzecich, uszkodzeniem produktu lub też uszkodzeniem mienia w sąsiedztwie produktu. Zastrzega się możliwość wprowadzania zmian i aktualizacji niniejszej instrukcji produktu, wraz z instrukcjami, wskazówkami i ostrzeżeniami oraz powiązaną dokumentacją. Aktualne informacje dotyczące produktu można zawsze znaleźć na stronie [dometic.com](http://dometic.com).

## Spis treści

1	Objaśnienie symboli . . . . .	300
2	Wskazówki bezpieczeństwa . . . . .	301
3	W zestawie . . . . .	303
4	Osprzęt . . . . .	303
5	Użytkowanie zgodne z przeznaczeniem . . . . .	304
6	Opis techniczny . . . . .	304
7	Montaż agregatu chłodniczego. . . . .	306
8	Eksploatacja agregatu chłodniczego. . . . .	313
9	Zastosowanie zasobnika czynnika chłodniczego . . . . .	315
10	Rękojmia . . . . .	316
11	Utylizacja . . . . .	316
12	Usuwanie usterek . . . . .	317
13	Dane techniczne . . . . .	319

## 1 Objąśnienie symboli



### **NIEBEZPIECZEŃSTWO!**

**Wskazówka bezpieczeństwa** informująca o niebezpiecznej sytuacji, która – jeśli się jej nie uniknie – prowadzi do śmierci lub ciężkich obrażeń.

**OSTRZEŻENIE!**

**Wskazówka bezpieczeństwa** informująca o niebezpiecznej sytuacji, która – jeśli się jej nie uniknie – może prowadzić do śmierci lub ciężkich obrażeń.

**OSTROŻNIE!**

**Wskazówka bezpieczeństwa** informująca o niebezpiecznej sytuacji, która – jeśli się jej nie uniknie – może prowadzić do lekkich lub średnich obrażeń.

**UWAGA!**

Wskazówka informująca o sytuacji, która – jeśli się jej nie uniknie – może prowadzić do powstania szkód materialnych.

**WSKAZÓWKA**

Informacje uzupełniające dotyczące obsługi produktu.

## 2 Wskazówki bezpieczeństwa

### 2.1 Podstawowe zasady bezpieczeństwa

**NIEBEZPIECZEŃSTWO!**

- **Ryzyko śmiertelnych obrażeń!**

**W przypadku korzystania z urządzenia na łodziach:** Jeśli urządzenie jest zasilane z sieci, należy bezwzględnie zadbać o zabezpieczenie wyłącznikiem różnicowoprądowym!

**OSTRZEŻENIE!**

- Urządzenie może być instalowane i naprawiane wyłącznie przez wykwalifikowanego technika. Nieodpowiednio wykonane naprawy mogą być przyczyną znaczących zagrożeń. W celu naprawy urządzenia należy skontaktować się z obsługą klienta.
- Nie używać urządzenia, jeśli ma ono widoczne uszkodzenia.
- W żadnym wypadku nie otwierać obiegu chłodzenia. Wyjątek stanowi sytuacja, gdy urządzenie musi zostać odłączone w celu wysyłki zwrotnej (rozdz. „Montaż zewnętrznego regulatora temperatury” na stronie 309).

- Urządzenie należy umieścić w suchym miejscu, zabezpieczonym przed bryzgami wody.
- Nie ustawiać urządzenia w pobliżu otwartego ognia ani innych źródeł ciepła (ogrzewania, bezpośredniego promieniowania słonecznego, kuchenek gazowych itp.).
- Należy zapewnić odpowiednią wentylację kompresora.
- **Urządzenia elektroniczne nie są zabawkami!**  
Urządzenie powinno zawsze znajdować się poza zasięgiem dzieci.
- Osoby (łącznie z dziećmi), które ze względu na ograniczoną sprawność fizyczną, sensoryczną lub umysłową albo brak doświadczenia lub niewiedzę nie są w stanie bezpiecznie użytkować produktu, nie powinny używać go bez nadzoru lub pouczenia przez odpowiedzialną osobę.
- Przed pierwszym uruchomieniem urządzenia sprawdzić, czy wartość napięcia roboczego jest zgodna z napięciem akumulatora (patrz tabliczka znamionowa).
- Jeśli przewód przyłączeniowy jest uszkodzony, należy go koniecznie wymienić. Pozwoli to uniknąć niebezpieczeństwa porażenia prądem elektrycznym. Uszkodzony przewód wymieniać wyłącznie na przewód przyłączeniowy tego samego rodzaju i o identycznej specyfikacji.
- W urządzeniu nie wolno przechowywać substancji wybuchowych, np. pojemników aerozolowych z gazem wyłaczającym.

## 2.2 Bezpieczeństwo podczas eksploatacji urządzenia



### **NIEBEZPIECZEŃSTWO! Ryzyko śmiertelnych obrażeń!**

- Nigdy nie chwytać gołymi rękami nieosłoniętych przewodów. Dotyczy to przede wszystkim zasilania urządzenia z sieci prądu przemianowego.



### **UWAGA!**

- Do czyszczenia parownika nie wolno używać środków czyszczących zawierających piasek, kwasy lub rozpuszczalniki.
- Urządzenie należy chronić przed deszczem i wilgocią.
- Przed ładowaniem akumulatora za pomocą szybkiej ładowarki należy odłączyć od niego urządzenie chłodnicze oraz inne odbiorniki energii elektrycznej.



### WSKAZÓWKA

- Jeśli urządzenie nie będzie używane przez dłuższy czas, należy je odłączyć.

## 2.3 Bezpieczeństwo użytkowania akumulatorów



### OSTROŻNIE! Ryzyko obrażeń!

- Akumulatory zawierają agresywne oraz żrące kwasy. Należy unikać wszelkiego kontaktu ciała z cieczą znajdującą się w akumulatorze. W przypadku kontaktu elektrolitu z akumulatora ze skórą daną część ciała należy dokładnie umyć wodą.
- W przypadku podłączenia urządzenia do akumulatora należy zapewnić, aby artykuły spożywcze nie miały kontaktu z elektrolitem.

## 3 W zestawie

Ilość	Opis
1	Agregat chłodniczy lub parownik
1	Instrukcja obsługi

## 4 Osprzęt

Jeżeli urządzenie ma zostać podłączone do sieci prądu przemiennego 230 V, należy zastosować jeden z poniższych prostowników.

Dostępne jako osprzęt (niedostarczane w zestawie):

Opis	Nr produktu
Prostownik CoolPower EPS100 Do urządzeń ze sprężarką BD 35F (seria 50/80/CS/CS)	9600000440
Prostownik CoolPower MPS35 Do urządzeń ze sprężarką BD 35F (seria 50/80/CS/CS)	9600000445
Prostownik CoolPower MPS50 Do urządzeń ze sprężarką BD 50F (seria 90)	9600000441

## 5 Użytkowanie zgodne z przeznaczeniem

Agregat chłodniczy nadaje się do montażu w samodzielnie wykonanych lodówkach stacjonarnych lub przenośnych.

Agregat chłodniczy jest przeznaczony do chłodzenia i mrożenia artykułów spożywczych. Urządzenie nadaje się również do zastosowania na łodziach.

Niniejszy produkt jest przystosowany wyłącznie do wykorzystywania zgodnie z jego przeznaczeniem oraz zamierzonym zastosowaniem według niniejszej instrukcji.

Niniejsza instrukcja zawiera informacje, które są niezbędne do prawidłowego montażu i/lub obsługi produktu. Nieprawidłowy montaż i/lub niewłaściwa obsługa lub konserwacja powodują niezadowalające rezultaty i mogą prowadzić do uszkodzeń.

Producent nie ponosi żadnej odpowiedzialności za ewentualne obrażenia lub uszkodzenia produktu wynikłe z następujących przyczyn:

- Nieprawidłowy montaż lub podłączenie, w tym zbyt wysokie napięcie
- Niewłaściwa konserwacja lub użycie innych części zamiennych niż oryginalne części zamienne dostarczone przez producenta
- Wprowadzanie zmian w produkcie bez wyraźnej zgody producenta
- Użytkowanie w celach innych niż opisane w niniejszej instrukcji obsługi

Firma Dometic zastrzega sobie prawo do zmiany wyglądu i specyfikacji produktu.

## 6 Opis techniczny

Agregaty chłodnicze można zasilać napięciem stałym 12 V lub 24 V, można je więc stosować np. na campingu lub na łodziach. Oprócz tego można przyłączać je do napięcia sieciowego 230 V dzięki zastosowaniu prostowników (patrz rozdz. „Osprzęt” na stronie 303).

Podczas stosowania agregatu chłodniczego na łodziach przechył ciągły może wynosić maksymalnie 30°.

Agregat chłodniczy musi być używany razem z parownikiem. Dodatkowo można też wykorzystywać zasobnik – ze sterownikiem TEC lub bez niego. Urządzenie **CS-NC15** składa się z agregatu chłodniczego i parownika.

Za pomocą bezstopniowego termostatu na parowniku można ustawić żądaną temperaturę.



Zasobnik i sterownik TEC umożliwiają osiągnięcie wysokiej wydajności chłodzenia i zwiększają efektywność agregatu. Ładowanie zasobnika odbywa się przy wystarczającym zasilaniu (np. podczas zasilania poprzez zasilacz sieciowy). W przypadku wykorzystywania zasobnika lub zbyt niskiego napięcia czynnika chłodniczego jest pobierany z zasobnika aż do jego opróżnienia. W tym czasie nie jest obciążany akumulator.

Sterowanie programem TEC umożliwia:

- magazynowanie energii chłodniczej w przypadku nadmiarowej energii elektrycznej (zasilanie zewnętrzne przez alternator, ładowarkę, zasilacz sieciowy itd.)
- wykorzystanie w dowolnym momencie zasobnika czynnika chłodniczego, aby cała energia z akumulatora dostępna była dla innych urządzeń.
- Automatyczne wykorzystywanie zgromadzonej energii chłodniczej po wyczerpaniu się akumulatora energii elektrycznej w celu utrzymania temperatury wewnątrz komory chłodniczej.



### WSKAZÓWKA

Więcej informacji na temat zasobnika czynnika chłodniczego można znaleźć w rozdziale rozdz. „Zastosowanie zasobnika czynnika chłodniczego” na stronie 315.

## 6.1 Układ monitorowania stanu akumulatora

Urządzenie chłodnicze jest wyposażone w elektroniczne zabezpieczenie chroniące przed pomyleniem biegunów podczas podłączania do akumulatora. W celu ochrony akumulatora urządzenie chłodnicze automatycznie wyłącza się, jeśli jego napięcie jest niewystarczające (patrz poniższa tabela).

### Urządzenia bez sterowania TEC

Napięcie zasilania	Napięcie wyłączenia	Napięcie ponownego włączenia
12 V	10,4 V	11,7 V
24 V	22,8 V	24,2 V

## Urządzenia ze sterowaniem TEC

Napięcie zasilania	Napięcie wyłączenia	Napięcie ponownego włączenia
12 V	10,7 V	13,0 V
24 V	22,0 V	26,0 V

## 7 Montaż agregatu chłodniczego



### OSTRZEŻENIE!

Montaż wykonywać mogą wyłącznie wykwalifikowani technicy.

### 7.1 Wymagane narzędzia

Do **instalacji i montażu** wymagane są następujące narzędzia:

- Wiertarka
- Śrubokręt
- Klucz szczękowy: 16 mm, 19 mm i 21 mm
- Masa uszczelniająca i pianka poliuretanowa
- Przewód, końcówki kablowe i obejmy kablowe
- Olej estrowy

### 7.2 Uwagi dotyczące komory chłodniczej

#### Dozwolona pojemność komory chłodniczej

Należy upewnić się, czy nie została przekroczona określona w instrukcji maksymalna pojemność komory chłodniczej dla danego typu parownika (patrz rozdz. „Dane techniczne” na stronie 319).

#### Minimalna izolacja

Maksymalną pojemność komory chłodniczej podano dla izolacji z pianki poliuretanowej o minimalnej grubości 35 mm i gęstości 40 kg/m<sup>3</sup>. W przypadku zastosowania innych materiałów izolacyjnych, np. styropianu, należy podwoić grubość ścianki, aby osiągnąć taką samą izolację termiczną.

## Montaż parownika

Parownik należy zamontować w komorze chłodniczej (z wyjątkiem modelu **CS-NC15**, w którym parownik jest zamontowany fabrycznie).

Należy stosować się do następujących wskazówek:

- Prawidłowa pozycja montażu (rys. **3**, strona 4 do rys. **9**, strona 6)
- Elementy w pojemniku chłodniczym powinny być rozmieszczone możliwie wysoko.
- Montować co najmniej 10 mm od ściany (**za wyjątkiem VD-14N i VD-15**).



### UWAGA!

W przypadku agregatów chłodniczych bez złączy z zaworami (agregatów gotowych do montażu): Nie należy otwierać obiegu czynnika chłodniczego podczas montażu. Ewentualnie może zajść konieczność powiększenia otworów w ścianie, aby możliwe było wsunięcie przez nie parownika (rys. **11**, strona 6). Zamiast tego można wykonać u góry otwór umożliwiający zainstalowanie przewodów chłodniczych (rys. **12**, strona 6).

## Podłączanie parownika

- ▶ Parowniki **VD-14N i VD-15** podłączać zgodnie z rys. **10**, strona 6.
- ▶ Parownik **VD-16** podłączać zgodnie z rys. **9**, strona 6.
- ▶ Inne parowniki podłączać zgodnie z rys. **19**, strona 9.

## Legenda do rysunków

Poz. na rys. <b>8</b> , strona 5	Objaśnienie
1	Wentylator na prąd stały
2	Przycisk termostatu
3	Wtyczka przyłączeniowa wentylatora na prąd stały
4	Termostat
5	Kabel przyłączeniowy

Poz. na rys. <b>9</b> , strona 6	Objaśnienie
1	Kabel przyłączeniowy

Poz. na rys. <b>10</b> , strona 6	Objaśnienie
1	Kabel przyłączeniowy

Poz. na rys. <b>19</b> , strona 9 i rys. <b>20</b> , strona 9	Objaśnienie
1	Blok łączący
2	Sprężarka
3	Wentylator
4	Przełącznik rys. <b>19</b> lub sterownik TEC rys. <b>20</b>

**UWAGA!**

Po wykonaniu montażu należy dokładnie zaizolować i uszczelnić otwory w ścianie, aby zapobiec wnikaniu wilgoci.

**Agregaty chłodnicze ze złączami z zaworami**

- ▶ W celu przeprowadzenia przewodów chłodniczych należy wyciąć otwór o średnicy co najmniej 30 mm (rys. **13**, strona 7). Posłużyć się w tym celu otwornicą.

**UWAGA!**

Nigdy nie zaginać przewodu łączącego parownik z agregatem. Promień zgięcia powinien wynosić co najmniej 25 mm.

**7.3 Montaż agregatu chłodniczego**

Szczególne znaczenie ma właściwy wybór miejsca montażu agregatu. W celu zapewnienia prawidłowego działania urządzenia należy przestrzegać poniższych zasad:

- Agregat chłodniczy należy ustawić w suchym, osłoniętym miejscu. Należy unikać ustawiania go obok źródeł ciepła, takich jak grzejniki, piece gazowe czy rury ciepłej wody. Nie wystawiać na bezpośrednie promieniowanie słoneczne.
- W przypadku instalacji agregatu chłodniczego na łodziach, należy go w miarę możliwości ustawić poniżej linii wody.

- Agregat chłodniczy może działać przy nachyleniu nieprzekraczającym 30°. Agregat należy zainstalować na równym podłożu, aby zapewnić jego działanie nawet przy maksymalnym dopuszczalnym nachyleniu.
- Ogrzane powietrze musi swobodnie uchodzić (rys. 14, strona 7).
- Jeżeli agregat chłodniczy ma być zamontowany w zamkniętej przestrzeni, np. w szafie, spiżarni lub w przedziale na rufie, należy wyciąć otwory o przekroju co najmniej 200 cm<sup>2</sup> (25 cm x 8 cm) w celu zapewnienia chłodzenia i odprowadzania powietrza.
- Uważać, aby nic nie utrudniało przepływu powietrza w skraplaczu (rys. 14 C, strona 7).
- Należy zachować minimalną odległość 50 mm między skraplaczem a przyległą ścianą.
- **CS-NC15:** Korzystać z szablonu wiercenia (rys. 21, strona 11) i schematu montażu (rys. 22, strona 12).

## 7.4 Montaż zewnętrznego regulatora temperatury

### Termostat mechaniczny

Regulator temperatury można zainstalować wewnątrz lub na zewnątrz pojemnika chłodniczego. Temperatura wewnątrz regulowana jest w zależności od temperatury powierzchni parownika, a **w przypadku modeli VD-14N i VD-15** w zależności od temperatury w pomieszczeniu.

- ▶ Podłączyć zwinięty koniec kabla czujnika do parownika (rys. 15, strona 8, **za wyjątkiem VD-14N, VD-15**) za pomocą płytki zaciskowej. W modelach **VD-14N, VD-15** jest on już zamontowany fabrycznie.
- ▶ Należy uważać, aby przewód czujnika nie stykał się w żadnym innym miejscu z parownikiem lub z przewodem ssawnym.

### Sterowanie TEC

Regulator TEC (sterowanie) musi być zainstalowany na zewnątrz pojemnika chłodniczego. Temperatura wewnętrzna regulowana jest w zależności od temperatury powierzchni parownika.

Czujnik temperatury jest fabrycznie przymocowany do zasobnika.

- ▶ Czujnik temperatury należy połączyć ze sterowaniem TEC za pomocą złącza wtykowego.

**Montaż złączy jednorazowych (z wyjątkiem CS-NC15)****UWAGA!**

Złącza jednorazowe podłączać mogą tylko osoby wykwalifikowane i posiadające odpowiednią wiedzę z zakresu techniki chłodniczej. Należy przestrzegać ogólnych zasad obchodzenia się z czynnikami chłodniczymi!

Złącza jednorazowe nadają się tylko do jednokrotnego podłączenia do agregatów chłodniczych. Ponowne otwarcie lub nieprawidłowe podłączenie złączy powoduje całkowitą utratę czynnika chłodniczego i awarię agregatu chłodniczego!

W takich przypadkach należy wymontować i odesłać obie uprzednio połączone ze sobą części agregatu chłodniczego. W fabryce złącza jednorazowe zostaną wymienione, a produkt zostanie ponownie napełniony czynnikiem chłodniczym.

Agregat chłodniczy składa się z dwóch dostarczanych oddzielnie elementów – parownika oraz zespołu sprężarki i skraplacza. Elementy te łączy się ze sobą za pomocą złączy jednorazowych. Oba elementy są już napełnione czynnikiem chłodniczym w ilości wymaganej do pracy całego agregatu chłodniczego. Dlatego nie jest konieczne późniejsze napełnianie czynnikiem chłodniczym.

- ▶ Zamontować zespół sprężarki i skraplacza oraz zespół parownika.
- ▶ Zdjąć kapturki ochronne i zaślepki niepołączonych połówek złączy jednorazowego zespołu sprężarki i skraplacza oraz zespołu parownika.
- ▶ Starannie oczyścić gniazdo złączy i powierzchnię gwintowaną, aby zapobiec przedostaniu się zanieczyszczeń lub ciał obcych do układu.

**UWAGA! Ryzyko wycieku czynnika chłodniczego**

- Przy dokręcaniu złączy jednorazowych należy zawsze używać dwóch kluczy, aby zapobiec skręceniu rur!
- Ponowne użycie złączy jednorazowych jest niedozwolone!
- Ustalić, które z dwóch złączy jednorazowych jest trudniej dostępne za pomocą klucza, i podłączyć je jako pierwsze.
- Złącza jednorazowe podłączać zawsze jedno po drugim.

**WSKAZÓWKA**

O-ring stanowi jedynie tymczasowe uszczelnienie podczas wstępnego łączenia złączy jednorazowych. O-ring ten służy tylko do wstępnego uszczelnienia w czasie pomiędzy przebicciem membrany a końcowym uszczelnieniem elementami metalowymi. Hermetyczne uszczelnienie można uzyskać tylko poprzez połączenie metalowych elementów obu połówek złącza.

- ▶ Nanieść olej chłodniczy na wewnętrzne i zewnętrzne gwinty oraz na wewnętrzne trzpienie (rys. **16**, strona 8).
- ▶ Złączyć ze sobą dwie połówki złącza i skrócić je najpierw ręcznie (rys. **17**, strona 8). Nie używać klucza!

**Złącze jednorazowe z nakrętką złączkową:**

- ▶ Skręcić połówkę złącza z nakrętką złączkową za pomocą klucza płaskiego w rozmiarze 21 mm i klucza płaskiego w rozmiarze 19 mm do końca gwintu lub do wyczuwalnego oporu. Nie dokręcać jeszcze połączenia gwintowanego. Klucz w rozmiarze 19 mm służy do prowadzenia podczas dokręcania nakrętki złączkowej.

**Podłączenie złącza jednorazowego z gwintem zewnętrznym:**

- ▶ Skręcić połówkę złącza z nakrętką złączkową za pomocą klucza płaskiego w rozmiarze 21 mm i klucza płaskiego w rozmiarze 16 mm do końca gwintu lub do wyczuwalnego oporu. Nie dokręcać jeszcze połączenia gwintowanego. Klucz w rozmiarze 16 mm służy do przytrzymywania podczas dokręcania nakrętki złączkowej.
- ▶ Narysować ołówkiem wzdłużną linię od nakrętki złączkowej do wspornika przeciwnej połówki złącza.
- ▶ Następnie dokręcić nakrętkę złączkową momentem 30 Nm lub o kolejną 1/4 obrotu. Przesunięcie linii pokazuje, jak mocno złącze jednorazowe zostało dokręcone.

Ten ostatni obrót jest konieczny do zapewnienia szczelnego połączenia pomiędzy połówkami złącza.

**WSKAZÓWKA**

Odległość między początkiem nakrętki złączkowej a sześciokątem gwintu zewnętrznego nie może przekraczać 3 mm (rys. **17**, strona 8).

- ▶ Przeprowadzić test szczelności złączy. Pozwoli to upewnić się, że złącza jednorazowe są prawidłowo połączone i skutecznie uszczelnione.

## 7.5 Podłączanie agregatu chłodniczego

### Podłączanie do akumulatora

Agregat chłodniczy można zasilać prądem stałym o napięciu 12 V lub 24 V.



#### UWAGA!

Aby uniknąć strat napięcia i mocy, należy zastosować jak najkrótszy i niełączony przewód.

Z tego względu należy unikać korzystania z dodatkowych przełączników, wtyków lub listew zasilających.

- ▶ Przekrój kabla określa się w zależności od jego długości zgodnie z rys. **18**, strona 8.

Legenda do rys. **18**, strona 8

Oś współrzędnych	Znaczenie	Urządzenie
I	Długość kabla	m
∅	Przekrój przewodu	mm <sup>2</sup>



#### UWAGA!

Należy zwrócić uwagę na prawidłowe podłączenie biegunów.

- ▶ Przed pierwszym uruchomieniem agregatu sprawdzić, czy wartość napięcia roboczego jest zgodna z napięciem akumulatora (patrz tabliczka znamionowa).
- ▶ Podłączyć agregat chłodniczy:
  - do bieguna akumulatora z jak najmniejszą ilością pośredniczących elementów lub
  - do gniazda z bezpiecznikiem min. 15 A (przy 12 V) lub 7,5 A (przy 24 V).



#### UWAGA!

Przed podłączeniem akumulatora do szybkiej ładowarki należy odłączyć od niego urządzenie chłodnicze oraz inne odbiorniki energii elektrycznej. Przepięcia mogą uszkodzić elektronikę urządzenia.

Ze względów bezpieczeństwa agregat chłodniczy został wyposażony w układ elektroniczny chroniący przed nieprawidłowym podłączeniem biegunów. Zabezpiecza to agregat chłodniczy podczas podłączania go do akumulatora.



## Podłączyć do sieci 230 V



### OSTRZEŻENIE!

- Nie dotykać wtyczek ani wyłączników wilgotnymi rękami lub stojąc na mokrej powierzchni.
- W przypadku korzystania z urządzenia chłodniczego na pokładzie statku i zasilania go z lądowej sieci 230 V pomiędzy siecią 230 V a lodówką należy zainstalować wyłącznik różnicowoprądowy. Należy zasięgnąć porady odpowiednio przeszkolonego technika.

- W celu zasilania agregatu chłodniczego z sieci 230 V należy zastosować prostownik:
- CoolPower EPS100 dla urządzeń ze sprężarką BD35F (seria 50/80/CS/CS),
  - CoolPower MPS35 dla urządzeń ze sprężarką BD35F (seria 50/80/CS/CS),
  - CoolPower MPS50 dla urządzeń ze sprężarką BD50F (seria 90).



### WSKAZÓWKA

Napięcie wyjściowe wymienionych prostowników wynosi 24 V. Należy o tym pamiętać podczas późniejszego podłączania innych odbiorników energii.

## 8 Eksploatacja agregatu chłodniczego

### 8.1 Porady dotyczące oszczędzania energii

- Wybrać dobrze wentylowane miejsce instalacji, osłonięte przed bezpośrednim promieniowaniem słonecznym.
- Gorące potrawy pozostawić do przestygnięcia przed włożeniem ich do urządzenia.
- Nie otwierać kontenera chłodniczego częściej, niż jest to konieczne.
- Nie zostawiać drzwi otwartych na dłużej, niż jest to konieczne.
- Odszronić kontener chłodniczy po wytworzeniu się w nim warstwy lodu.
- Unikać ustawiania zbyt niskich temperatur.
- Regularnie czyścić skraplacz z kurzu i zanieczyszczeń.
- Regularnie czyścić uszczelkę pokrywy.

## 8.2 Uruchomienie agregatu chłodniczego

### Urządzenia bez sterowania TEC

- ▶ Włączyć agregat chłodniczy, obracając regulator w kierunku ruchu wskazówek zegara (rys. **1** A1 lub B1, strona 3).

Dalsze obracanie regulatora umożliwia regulację temperatury. Urządzenia z funkcją magazynowania energii posiadają dodatkowo przycisk aktywacji zasobnika (rys. **1** A2, strona 3).



#### WSKAZÓWKA

Migająca lub świecąca ciągle czerwona dioda LED sygnalizuje, że występuje błąd i system nie jest gotowy do działania (patrz tabela usterek w rozdziale rozdz. „Dioda LED na termoparze (rys. **1** 2, strona 3)” na stronie 317).

### Urządzenia ze sterowaniem TEC

Urządzenia ze sterownikiem TEC uruchamia się za pomocą wyłącznika głównego (rys. **2** 6, strona 3). Temperaturę można ustawiać za pomocą pokrętki wyboru temperatury (rys. **2** 5, strona 3).

## 8.3 Wyłączanie agregatu chłodniczego

Jeśli agregat chłodniczy nie będzie używany przez dłuższy czas, należy postępować w następujący sposób:

- ▶ **Urządzenia bez sterowania TEC:** Ustawić regulator na 0.
- ▶ **Urządzenia ze sterowaniem TEC:** Wyłączyć urządzenie za pomocą wyłącznika głównego (rys. **2** 6, strona 3).
- ▶ Odłączyć przewód zasilania od akumulatora lub wyciągnąć wtyk przewodu prądu stałego z prostownika.
- ▶ Wyczyścić urządzenie chłodnicze.
- ▶ Pokrywę należy pozostawić lekko otwartą. Zapobiega to powstawaniu nieprzyjemnych zapachów.

## 9 Zastosowanie zasobnika czynnika chłodniczego

### 9.1 Elementy wskaźnikowe i obsługowe urządzeń ze sterownikiem TEC

Poz. na rys. 2, strona 3	Objaśnienie
1	Zielona dioda LED: Wskazuje, że sprężarka pracuje.
2	Żółta dioda LED: Wskazuje, że obecne jest zewnętrzne zasilanie (napięcie jest wyższe niż 13,5 V lub 27,0 V). Dioda LED miga, jeśli zewnętrzne zasilanie jest zbyt niskie (napięcie $\leq 10,7$ V lub 21,7 V. Wersja E: $\leq 10,7$ V lub 22,0 V).
3	Czerwona dioda LED: Sygnalizuje rozładowywanie zasobnika w wyniku <ul style="list-style-type: none"> <li>• naciśnięcia przycisku rozładowywania</li> <li>• wyłączenia z powodu niskiego napięcia (napięcie <math>\leq 10,7</math> V lub 21,4 V. Wersja E: <math>\leq 10,7</math> V lub 22,0 V).</li> </ul>
4	Przycisk opróżniania zasobnika: Przerywa pracę sprężarki do momentu <ul style="list-style-type: none"> <li>• zużycia zmagazynowanej energii chłodniczej</li> <li>• przywrócenia napięcia zasilania zewnętrznego po wystąpieniu podnapięcia</li> </ul>
5	Pokrętko wyboru temperatury: Umożliwia ustawienie temperatury w komorze chłodniczej zgodnie z wymaganiami Min. (przekręcenie do oporu w lewo) = najwyższa temperatura Maks. (przekręcenie do oporu w prawo) = najwyższa temperatura
6	Wyłącznik główny: Do włączania i wyłączania agregatu chłodniczego Pozycja 0 = wył. Pozycja – = wł.

### 9.2 Funkcja zasobnika

Funkcja zasobnika umożliwia automatyczne gromadzenie energii chłodniczej (do 8 godzin), jeśli dostępna jest wystarczająca ilość energii elektrycznej, na przykład podczas zasilania za pomocą zasilacza sieciowego.

Zużywanie zmagazynowanego zimna następuje

- automatycznie po osiągnięciu napięcia wyłączenia (patrz tabela na strona 305)

- lub po ręcznym naciśnięciu przycisku opróżniania akumulatora (rys. **1** A2 lub rys. **2** 4, strona 3).

**WSKAZÓWKA**

Zasobnik chłodu można opróżnić ręcznie tylko po jego całkowitym naładowaniu.

Zasobnik jest ponownie automatycznie ładowany

- po przekroczeniu napięcia ponownego włączenia
- w przypadku wyłączenia i ponownego włączenia urządzenia przyciskiem sterującym (rys. **2** 6, strona 3) przy pustym zasobniku (tylko w VD-06).

**UWAGA!**

W przypadku opróżniania zasobnika pomimo obecności zasilania zewnętrznego – np. w celu uniknięcia hałasów wydawanych przez sprężarkę – należy wyłączyć agregat za pomocą wyłącznika głównego (rys. **1** B1 lub rys. **2** 6, strona 3).

**WSKAZÓWKA**

Uwaga: Niska temperatura wewnętrzna = wysokie zużycie prądu!

## 10 Rękojmia

Obowiązuje ustawowy okres gwarancji. Jeśli produkt jest uszkodzony, należy zgłosić się do partnera serwisowego w danym kraju (patrz [dometic.com/dealer](http://dometic.com/dealer)).

W celu naprawy lub rozpatrzenia gwarancji konieczne jest przesłanie:

- kopii rachunku z datą zakupu,
- informacji o przyczynie reklamacji lub opisu wady.

## 11 Utylizacja

- ▶ Opakowanie należy wyrzucić do odpowiedniego pojemnika na śmieci do recyklingu.



Jeżeli produkt nie będzie dłużej eksploatowany, koniecznie dowiedz się w najbliższym zakładzie recyklingu lub w specjalistycznym sklepie, jakie są aktualnie obowiązujące przepisy dotyczące utylizacji.

## 12 Usuwanie usterek

### Dioda LED na termoparze (rys. 1 2, strona 3)

Liczba impulsów świetlnych	Typ usterek	Czynność zaradcza
1	Wyłączenie ochrony akumulatora	Sprawdzić napięcie akumulatora, bezpiecznik i przekrój kabla
2	Wyłączenie prądu przetężeniowego wentylatora	Sprawdzić prąd wentylatora skraplacza i parownika: całkowita wartość docelowa < 0,5 A
3	Usterka rozruchu sprężarki	Odciążyć układ chłodzenia: <ul style="list-style-type: none"> <li>• Zapewnić dobrą wentylację wokół agregatu chłodniczego</li> <li>• Przechowywać wstępnie schłodzone towary</li> </ul>
4	Wyłączenie przeciążeniowe kompresora	Odciążyć układ chłodzenia: <ul style="list-style-type: none"> <li>• Zapewnić dobrą wentylację wokół agregatu chłodniczego</li> <li>• Przechowywać wstępnie schłodzone towary</li> </ul>
5	Wyłączenie ochrony elektroniki	Odciążyć układ chłodzenia: <ul style="list-style-type: none"> <li>• Zapewnić dobrą wentylację wokół agregatu chłodniczego</li> </ul>

### Kompresor nie działa

Usterka	Możliwa przyczyna	Czynność zaradcza
$U_T = 0V$	Przerwanie połączenia pomiędzy akumulatorem a układem elektronicznym	Przywrócić połączenie
	Uszkodzony wyłącznik główny (o ile jest zainstalowany)	Wymienić wyłącznik główny
	Przepalony dodatkowy bezpiecznik sieci zasilania (o ile jest zainstalowany)	Wymienić bezpiecznik
$U_T \leq U_{ON}$	Za niskie napięcie akumulatora	Naładować akumulator

Usterka	Możliwa przyczyna	Czynność zaradcza
Próba uruchomienia przy $U_T \leq U_{OFF}$	Poluzowane przewody Zły zestaw (korozja)	Przywrócić połączenie
	Za mała pojemność akumulatora	Wymienić akumulator
	Za mały przekrój przewodu	Wymień kabel (rys. 18, strona 8)
Próba uruchomienia przy $U_T \geq U_{ON}$	Za wysoka temperatura otoczenia	–
	Niedostateczna wentylacja i/lub chłodzenie	Zapewnić lepszą wentylację agregatu chłodniczego
	Zabrudzony skraplacz	Oczyścić kondensator
	Uszkodzony wentylator (o ile jest zainstalowany)	Wymienić wentylator

$U_T$  Napięcie pomiędzy zaciskiem plus a zaciskiem minus układu elektronicznego

$U_{ON}$  Napięcie włączenia układu elektronicznego

$U_{OFF}$  Napięcie wyłączenia układu elektronicznego

### Za niska temperatura wewnętrzna przy ustawieniu regulatora na 1

Usterka	Możliwa przyczyna	Czynność zaradcza
Sprężarka pracuje ciągle	Czujnik termostatu nie styka się z parownikiem	Zamocować czujnik
	Uszkodzony termostat	Wymienić termostat
Kompresor pracuje przez długi czas	W zamrażalniku zamrożono dużą ilość produktów	–

**Spada wydajność chłodzenia, temperatura we wnętrzu rośnie**

<b>Usterka</b>	<b>Możliwa przyczyna</b>	<b>Czynność zaradcza</b>
Kompresor pracuje przez długi czas/ciągle	Parownik jest oblodzony	Odszronić parownik
	Za wysoka temperatura otoczenia	–
	Niedostateczna wentylacja i/lub chłodzenie	Zapewnić lepszą wentylację agregatu chłodniczego
	Zabrudzony skraplacz	Oczyścić kondensator
	Uszkodzony wentylator (o ile jest zainstalowany)	Wymienić wentylator
Sprężarka pracuje rzadko	Rozładowany akumulator	Naładować akumulator

**Nietypowe szумы**

<b>Usterka</b>	<b>Możliwa przyczyna</b>	<b>Czynność zaradcza</b>
Głośne buczenie	Któryś z elementów obiegu czynnika chłodniczego nie może swobodnie się poruszać (przylega do ściany)	Ostrożnie odgiąć element od przeszkody
	Ciało obce zakleszczyło się między urządzeniem chłodniczym a ścianą	Usunąć ciało obce
	Szum wentylatora (o ile jest zainstalowany)	Wyczyścić łopatki wentylatora

**13 Dane techniczne**

	<b>50</b>	<b>54</b>	<b>55</b>
Maks. objętość komory chłodniczej:	80 litrów	130 litrów	
Napięcie zasilania:	12 V <sup>===</sup> lub 24 V <sup>===</sup>		
Pobór mocy:	35–40 W, w zależności od typu parownika		
Ilość czynnika chłodniczego:	28 g	35 g	
Ekwiwalent CO <sub>2</sub> :	0,040 t	0,050 t	
Potencjał tworzenia efektu cieplarnianego (GWP):	1430		

	<b>50</b>	<b>54</b>	<b>55</b>
Wymiary (szer. x wys. x gł.) w mm:	315 x 140 x 170	386x155x130	220x160x220
Masa:	3,74 kg	6,0 kg	6,5 kg

	<b>84</b>	<b>85</b>	<b>86</b>
Maks. objętość komory chłodniczej:	250 litrów		
Napięcie zasilania:	12 V $\equiv$ lub 24 V $\equiv$		
Ilość czynnika chłodniczego:	45 g		
Ekwiwalent CO <sub>2</sub> :	0,064 t		
Potencjał tworzenia efektu cieplarnianego (GWP):	1430		
Wymiary (szer. x wys. x gł.) w mm:	386x155x130	220x155x220	220x230x177
Masa:	6,0 kg	6,0 kg	6,5 kg

	<b>94</b>	<b>95</b>	<b>96</b>
Maks. objętość komory chłodniczej:	400 litrów		
Napięcie zasilania:	12 V $\equiv$ lub 24 V $\equiv$		
Ilość czynnika chłodniczego:	60 g		
Ekwiwalent CO <sub>2</sub> :	0,086 t		
Potencjał tworzenia efektu cieplarnianego (GWP):	1430		
Wymiary (szer. x wys. x gł.) w mm:	386x155x130	220x155x220	220x230x177
Masa:	6,0 kg	6,0 kg	6,5 kg



	<b>CS-NC15</b>
Maks. objętość komory chłodniczej:	250 litrów
Napięcie zasilania:	12 V <sup>===</sup> lub 24 V <sup>===</sup>
Ilość czynnika chłodniczego:	60 g
Ekwiwalent CO <sub>2</sub> :	0,086 t
Potencjał tworzenia efektu cieplarnianego (GWP):	1430
Wymiary (szer. x wys. x gł.) w mm:	360x255x275
Masa:	8,5 kg

	<b>VD-01</b>	<b>VD-02</b>	<b>VD-03</b>	<b>VD-04</b>
Maks. objętość komory chłodniczej przy izolacji z PU 35 mm:	80 litrów	30 litrów	170 litrów	130 litrów
Maks. objętość komory chłodniczej przy izolacji z PU 50 mm:	100 litrów	50 litrów	200 litrów	170 litrów
Pobór mocy:	35 W	35 W	50 W	45 W
Napięcie	12 V <sup>===</sup> lub 24 V <sup>===</sup>			
Ilość czynnika chłodniczego:	17 g		20 g	30 g
Ekwiwalent CO <sub>2</sub> :	0,024 t		0,029 t	0,043 t
Potencjał tworzenia efektu cieplarnianego (GWP):	1430			
Wymiary (szer. x wys. x gł.) w mm:	300x245x110	275x215x25	380x230x82	375x255x100
Masa:	1,5 kg	1,0 kg	2,0 kg	1,5 kg

	<b>CU-50 + VD-01</b>	<b>CU-50 + VD-02</b>	<b>CU-50 + VD-07</b>
Maks. objętość komory chłodniczej przy izolacji z PU 35 mm:	50 litrów	30 litrów	60 litrów
Maks. objętość komory chłodniczej przy izolacji z PU 50 mm:	75 litrów	50 litrów	80 litrów
Pobór mocy:	30 W		
Temperatura:	otoczenia: 32°C, wewnętrzna: 5°C		

	<b>VD-05</b>	<b>VD-07</b>	<b>VD-08</b>	<b>VD-09</b>
Maks. objętość komory chłodniczej przy izolacji z PU 35 mm:	130 litrów	100 litrów	160 litrów	160 litrów
Maks. objętość komory chłodniczej przy izolacji z PU 50 mm:	170 litrów	130 litrów	180 litrów	180 litrów
Pobór mocy:	45 W	35 W	60 W	60 W
Napięcie	12 V $\overline{=}$ lub 24 V $\overline{=}$			
Ilość czynnika chłodniczego:	30 g	45 g	15 g	65 g
Ekwiwalent CO <sub>2</sub> :	0,043 t	0,064 t	0,021 t	0,093 t
Potencjał tworzenia efektu cieplarnianego (GWP):	1430			
Wymiary (szer. x wys. x gł.) w mm:	375x350x25	255x210x90	450x270x340	365x140x270
Masa:	1,5 kg	1,5 kg	2,0 kg	2,0 kg

	<b>VD-14N</b>	<b>VD-15</b>	<b>VD-18</b>
Maks. objętość komory chłodniczej przy izolacji z PU 35 mm:	300 litrów	200 litrów	100 litrów
Maks. objętość komory chłodniczej przy izolacji z PU 50 mm:	400 litrów	250 litrów	150 litrów
Pobór mocy:	80 W	60 W	45 W
Napięcie	12 V $\overline{=}$ lub 24 V $\overline{=}$		
Ilość czynnika chłodniczego:	15 g		
Ekwiwalent CO <sub>2</sub> :	0,021 t		
Potencjał tworzenia efektu cieplarnianego (GWP):	1430		
Wymiary (szer. x wys. x gł.) w mm:	220x275x65	220x275x65	350x250x25
Masa:	2,5 kg	1,5 kg	1,5 kg

	<b>VD-16</b>	<b>VD-21</b>
Maks. objętość komory chłodniczej przy izolacji z PU 60 mm:	130 litrów	250 litrów
Maks. objętość komory chłodniczej przy izolacji z PU 100 mm:	200 litrów	300 litrów
Pobór mocy:	60 W	60 W
Napięcie	12 V $\overline{=}$ lub 24 V $\overline{=}$	
Ilość czynnika chłodniczego:	40 g	10 g
Ekwiwalent CO <sub>2</sub> :	0,057 t	0,014 t
Potencjał tworzenia efektu cieplarnianego (GWP):	1430	

	<b>VD-16</b>	<b>VD-21</b>
Wymiary (szer. x wys. x gł.) w mm:	330x260x130	1370x305x10
Masa:	2,5 kg	4,0 kg
	<b>VD-16 dla serii 80</b>	<b>VD-16 dla serii 90</b>
Maks. objętość komory chłodniczej przy izolacji z PU 35 mm:	120 litrów	200 litrów
Maks. objętość komory chłodniczej przy izolacji z PU 50 mm:	200 litrów	250 litrów
Pobór mocy:	65 W	80 W
Napięcie	12 V $\overline{=}$ lub 24 V $\overline{=}$	
Ilość czynnika chłodniczego:	40 g	
Ekwiwalent CO <sub>2</sub> :	0,057 t	
Potencjał tworzenia efektu cieplarnianego (GWP):	1430	
Wymiary (szer. x wys. x gł.) w mm:	380x300x62	
Masa:	5,0 kg	

**Kontrola/certyfikaty:**

Obieg chłodzenia zawiera R-134a.

Zawiera fluorowane gazy cieplarniane

Dôkladne si prečítajte tento návod a dodržiavajte všetky pokyny, usmernenia a varovania uvedené v tomto návode k výrobku, aby bolo zaručené, že výrobok bude vždy správne nainštalovaný, používaný a udržiavaný. Tento návod MUSÍ zostať priložený k výrobku.

Používaním tohto výrobku týmto potvrdzujete, že ste si dôkladne prečítali všetky pokyny, usmernenia a varovania a že rozumiete a súhlasíte s dodržiavaním všetkých uvedených podmienok. Súhlasíte, že tento výrobok budete používať iba v súlade s určeným použitím a v súlade s pokynmi, usmerneniami a varovania uvedenými v tomto návode k výrobku, ako aj v súlade so všetkými platnými zákonmi a nariadeniami. V prípade, že si neprečítate a nebudete sa riadiť pokynmi a varovaniami uvedenými v tomto návode, môže mať za následok vaše poranenie alebo poranenie iných osôb, poškodenie vášho výrobku alebo poškodenie majetku v jeho blízkosti. Tento návod na obsluhu výrobku vrátane pokynov, usmernení a varovaní, a súvisiaca dokumentácia môže podliehať zmenám a aktualizáciám. Najaktuálnejšie informácie o výrobku nájdete na adrese [dometic.com](http://dometic.com).

## Obsah

1	Vysvetlenie symbolov . . . . .	325
2	Bezpečnostné pokyny . . . . .	326
3	Rozsah dodávky . . . . .	328
4	Príslušenstvo . . . . .	328
5	Používanie v súlade s určením . . . . .	328
6	Technický opis . . . . .	329
7	Inštalácia chladiaceho agregátu . . . . .	330
8	Používanie chladiaceho agregátu . . . . .	337
9	Používanie akumulátora chladu . . . . .	339
10	Záruka . . . . .	340
11	Likvidácia . . . . .	340
12	Odstraňovanie porúch . . . . .	341
13	Technické údaje . . . . .	343

## 1 Vysvetlenie symbolov



### NEBZPEČENSTVO!

**Bezpečnostné upozornenie** na nebezpečnú situáciu, ktorá vedie k usmrteniu alebo ťažkému poraneniu, ak sa jej nezabráni.



### VÝSTRAHA!

**Bezpečnostné upozornenie** na nebezpečnú situáciu, ktorá môže viesť k usmrteniu alebo ťažkému poraneniu, ak sa jej nezabráni.

**UPOZORNENIE!**

**Bezpečnostné upozornenie** na nebezpečnú situáciu, ktorá môže viesť k ľahkému alebo stredne ťažkému usmrteniu alebo ťažkému poraneniu, ak sa jej nezabráni.

**POZOR!**

Upozornenie na situáciu, ktorá môže viesť k materiálnym škodám, ak sa jej nezabráni.

**POZNÁMKA**

Doplňujúce informácie týkajúce sa obsluhy produktu.

## 2 Bezpečnostné pokyny

### 2.1 Základy bezpečnosti

**NEBZPEČENSTVO!****• Nebezpečenstvo smrteľných poranení!**

**Pri používaní zariadenia na lodiach:** Ak sa zariadenie napája z elektrickej siete, postarajte sa, aby zdroj napájania disponoval prírodným chráničom!

**VÝSTRAHA!**

- Toto zariadenie smie nainštalovať a opravovať iba kvalifikovaný technik. Nesprávne opravy môžu zapríčiniť vážne riziká. V prípade opravy sa obráťte na zákaznícky servis.
- Keď zariadenie vykazuje viditeľné poškodenia, nesmiete ho uvádzať do prevádzky.
- Chladiaci okruh v žiadnom prípade neotvárajte. Výnimka platí v prípade, keď sa zariadenie musí odpojiť kvôli vráteniu (kap. „Montáž externého regulátora teploty“ na strane 333).
- Zariadenie umiestnite na suchom mieste, ktoré je chránené pred striekajúcou vodou.
- Neumiestňujte zariadenie do blízkosti otvoreného plameňa alebo iných zdrojov tepla (ohrievače, priame slnečné žiarenie, plynové rúry atď.).
- Postarajte sa, aby kompresor bol dostatočne vetraný.

- **Elektronické zariadenia nie sú detské hračky!**  
Zariadenie uchovávajte a používajte mimo dosahu detí.
- Osoby (vrátane detí), ktoré z dôvodu ich fyzických, zmyslových či duševných schopností alebo ich neskúsenosti či neznalosti nie sú schopné výrobok bezpečne používať, nemajú používať tento prístroj bez dozoru alebo poučenia od zodpovednej osoby.
- Pred uvedením zariadenia do prevádzky skontrolujte, či sa prevádzkové napätie zhoduje s napätím batérie (pozri typový štítok).
- Ak je pripájací kábel poškodený, musíte ho vymeniť, aby sa predišlo nebezpečenstvám úrazu elektrickým prúdom. Poškodený pripájací kábel vymeňte za nový pripájací kábel rovnakého typu a s rovnakou špecifikáciou.
- Neskladujte v zariadení látky, u ktorých hrozí nebezpečenstvo výbuchu napr. sprejové nádoby s hnacím plynom.

## 2.2 Bezpečnosť pri prevádzke zariadenia



### **NEBEZPEČENSTVO! Nebezpečenstvo smrteľných zranení!**

- Nikdy sa nedotýkajte holými rukami obnažených vodičov. To platí predovšetkým pri prevádzke zariadenia prostredníctvom siete striedavého prúdu.



### **POZOR!**

- Na čistenie výparníka nikdy nepoužívajte čistiace prostriedky obsahujúce piesok, kyseliny alebo rozpúšťadlá.
- Chráňte zariadenie pred dažďom a vlhkosťou.
- Pred pripojením chladiaceho zariadenia k rýchlonabíjačke odpojte chladiace zariadenie a iné spotrebiče od batérie.



### **POZNÁMKA**

- Zariadenie odpojte, pokiaľ ho dlhšiu dobu nebudete používať.

## 2.3 Bezpečnosť pri manipulácii s batériami



### **UPOZORNENIE! Nebezpečenstvo zranenia!**

- Batérie môžu obsahovať agresívne alebo žieravé kyseliny. Zabráňte akémukoľvek kontaktu tela s kvapalinou batérií. Ak sa vaša pokožka dostane do kontaktu s kyselinou batérie, zasiahnutú časť tela dôkladne umyte vodou.

- Keď zariadenie pripojíte k batérii, zabezpečte, aby sa potraviny nedostali do styku s kyselinou batérie.

### 3 Rozsah dodávky

Počet	Opis
1	Chladiaci agregát alebo výparník
1	Návod na obsluhu

### 4 Príslušenstvo

Ak chcete agregát pripojiť k sieti striedavého napätia 230 V, použite niektorý z nasledujúcich usmerňovačov.

K dispozícii ako príslušenstvo (nie je súčasťou dodávky):

Opis	Číslo výrobku
Usmerňovač CoolPower EPS100 Pre zariadenia s kompresorom BD35F (séria 50/80/CS/CS)	9600000440
Usmerňovač CoolPower MPS35 Pre zariadenia s kompresorom BD35F (séria 50/80/CS/CS)	9600000445
Usmerňovač CoolPower MPS50 Pre zariadenia s kompresorom BD50F (séria 90)	9600000441

### 5 Používanie v súlade s určením

Agregát je vhodný pre skonštruovanie vlastnej chladničky alebo chladiaceho boxu.

Chladiaci box je vhodný na chladenie a mrazenie potravín. Zariadenie je vhodné na prevádzku v člnoch.

Tento výrobok je vhodný iba na použitie na určený účel a použitie v súlade s týmto návodom.

Tento návod obsahuje informácie, ktoré sú nevyhnutné pre správnu inštaláciu a/alebo obsluhu výrobku. Chybná inštalácia a/alebo nesprávna obsluha či údržba bude mať za následok neuspokojivý výkon a možnú poruchu.



Výrobca nenesie žiadnu zodpovednosť za akékoľvek poranenia či škody na výrobku spôsobené:

- nesprávnou montážou alebo pripojením vrátane nadmerného napätia
- nesprávnou údržbou alebo použitím iných ako originálnych náhradných dielov poskytnutých výrobcom
- Zmeny produktu bez výslovného povolenia výrobcu
- Použitie na iné účely než na účely opísané v návode

Firma Dometic si vyhradzuje právo na zmenu vzhľadu a technických parametrov výrobku.

## 6 Technický opis

Chladiace agregáty sú vhodné na použitie v 12 V alebo 24 V sieti s jednosmerným napätím, a preto sa môžu používať pri kempovaní alebo na člnoch. Navyše ich prostredníctvom usmerňovača môžete pripojiť k 230 V zdroju napätia (pozri kap. „Prísľušenstvo“ na strane 328).

Pri použití na člnoch môže byť agregát vystavený trvalému náklonu 30°.

Chladiaci agregát sa musí používať spolu s výparníkom. Okrem toho môžete používať akumulátor s TEC ovládačom alebo bez neho. **CS-NC15** sa skladá z chladiaceho agregátu a výparníka.

Plynule nastaviteľným termostatom na výparníku môžete plynulo nastaviť požadovanú teplotu.

Akumulátor a TEC ovládač zaručujú vysokú chladiacu kapacitu a zvyšujú účinnosti agregátu. Akumulátor sa nabíja, keď je k dispozícii dostatočný zdroj napájania (napríklad, ak je napájaný sieťovým adaptérom). V prípade použitia akumulátora alebo podpätia je chladiaci prostriedok odoberaný z akumulátora, až kým sa nevyprázdni. Tým pádom sa počas tejto doby neodoberá žiadna energia z batérie.

TEC ovládač vždy zaručí nasledujúce:

- Chladiaca energia sa ukladá, ak je k dispozícii nadbytok elektrickej energie (externé napájanie generátorom).
- Akumulátor chladu je možné používať kedykoľvek, aby sa zaručilo, že celá energia batérie sa používa pre iné spotrebiče.
- Uložená chladiaca energia sa automaticky opätovne využije na udržanie vnútornej teploty chladenia chladiaceho priestoru, keď sa batéria vybije.

**POZNÁMKA**

Ďalšie informácie o akumulátore chladiaceho prostriedku nájdete v kap. „Používanie akumulátora chladu“ na strane 339.

## 6.1 Indikátor batérie

Chladiace zariadenie je vybavené elektronickým zariadením na ochranu proti prepólovaniu pri pripájaní batérie. Kvôli ochrane batérie sa chladiace zariadenie v prípade nedostatočného napätia automaticky vypne (pozri nasledovnú tabuľku).

### Zariadenia bez TEC ovládača

Pripájacie napätie	Vypínacie napätie	Reštartovacie napätie
12 V	10,4 V	11,7 V
24 V	22,8 V	24,2 V

### Zariadenia s TEC ovládačom

Pripájacie napätie	Vypínacie napätie	Reštartovacie napätie
12 V	10,7 V	13,0 V
24 V	22,0 V	26,0 V

## 7 Inštalácia chladiaceho agregátu

**VÝSTRAHA!**

Inštaláciu môže vykonávať len kvalifikovaný technik.

### 7.1 Potrebné nástroje

Pre **inštaláciu a zmontovanie** potrebujete nasledujúce nástroje:

- Vrtačka
- Skrutkovač
- Vidlicový kľúč: 16 mm, 19 mm a 21 mm
- Tesniaca hmota a montážna pena
- Kábel, káblové oko a káblové objímky
- Esterový olej

## 7.2 Poznámky k chladiacemu boxu

### Povolený obsah chladiaceho priestoru

Postarajte sa, aby pre príslušný typ výparníka nedošlo k prekročeniu maximálneho obsahu chladiaceho priestoru (pozri kap. „Technické údaje“ na strane 343).

### Minimálna izolácia

Maximálny obsah chladiaceho priestoru je založený na minimálnej hrúbke izolácie 35 mm penového polyuretánu s hustotou 40 kg/m<sup>3</sup>. Ak sa použijú iné izolačné materiály, ako napríklad styrofoam, zdvojnásobte hrúbku steny na dosiahnutie rovnakej úrovne tepelnej izolácie.

### Montáž výparníka

Výparník musí byť namontovaný v chladiacom kontajneri (okrem **CS-NC15**, výparník je predmontovaný).

Dbajte pritom na nasledovné:

- Správna montážna poloha (obr. **3**, strane 4 až obr. **9**, strane 6)
- Umiestnenie v chladiacom kontajneri až najbližšie k vrchu
- Montáž najmenej 10 mm od steny (**nie v prípade VD-14N a VD-15**).



#### **POZOR!**

Pre chladiace agregáty bez ventilových spojok (agregáty pripravené na montáž): Neotvárajte chladiaci okruh počas montáže. Môže byť potrebné zväčšiť stenové otvory, aby ste dokázali výparník zasunúť dovnútra (obr. **11**, strane 6). Alternatívne môžete vytvoriť otvor, ktorý umožní montáž chladiacich vedení na vrch (obr. **12**, strane 6).

### Pripojenie výparníka

- ▶ Pripojte výparníky **VD-14N a VD-15** podľa obr. **10**, strane 6.
- ▶ Pripojte výparník **VD-16** podľa obr. **9**, strane 6.
- ▶ Pripojte iné výparníky podľa obr. **19**, strane 9.

**Legenda pre ilustrácie**

Č. na obr. <b>8</b> , strane 5	Vysvetlenie
1	Ventilátor na jednosmerný prúd
2	Tlačidlo termostatu
3	Pripájacia zástrčka pre ventilátor na jednosmerný prúd
4	Termostat
5	Pripájací kábel

Č. na obr. <b>9</b> , strane 6	Vysvetlenie
1	Pripájací kábel

Č. na obr. <b>10</b> , strane 6	Vysvetlenie
1	Pripájací kábel

Č. na obr. <b>19</b> , strane 9 a obr. <b>20</b> , strane 9	Vysvetlenie
1	Pripájací blok
2	Kompresor
3	Ventilátor
4	Spínač obr. <b>19</b> alebo TEC ovládač obr. <b>20</b>

**POZOR!**

Po inštalácii starostlivo zaizolujte a utesnite otvory v stene, aby ste zabránili vniknutiu vlhkosti.

**Pre chladiace agregáty s ventilovými spojkami**

- Vyrežte otvor s priemerom najmenej 30 mm (obr. **13**, strane 7) pre chladiace vedenia. Na vyrezanie otvoru použite vykružovačku.

**POZOR!**

Nikdy neohýbajte spojovacie vedenie medzi výparníkom a agregátom. Minimálny polomer ohybu je 25 mm.

### 7.3 Inštalácia chladiaceho agregátu

Pre postavenie jednotky je dôležité, aby ste vybrali správne miesto. Pre zaistenie bezproblémovej prevádzky berte na vedomie nasledujúce body:

- Agregát umiestnite na suchom, chránenom mieste. Vyhnite sa umiestneniu v blízkosti zdrojov tepla ako sú radiátory, plynové pece alebo teplovodné potrubia. Neumiestňujte ho na priame slnečné svetlo.
- Na čline nainštalujte agregát pod čiaru ponoru, pokiaľ je to možné.
- Chladiaci agregát funguje pri uhle náklonu až do 30°. Namontujte ho na rovinu, aby ešte dokázal fungovať aj pri čo najväčšom náklone.
- Zohriaty vzduch musí byť odvádzaný bez obmedzenia (obr. 14, strane 7).
- Pri inštalácii agregátu v uzavretom priestore, ako napríklad šatník, komora alebo batožinový priestor, otvory musia mať prierez minimálne 200 cm<sup>2</sup> (25 cm x 8 cm) pre chladiaci a odpadový vzduch.
- Ubezpečte sa, že prúdenie vzduchu na kondenzátore (obr. 14 C, strane 7) nie je obmedzené.
- Medzi kondenzátorom a susediacou stenou zachovajte minimálnu vzdialenosť 50 mm.
- **CS-NC15:** Riad'te sa vŕtacou šablónou (obr. 21, strane 11) a montážnym výkresom (obr. 22, strane 12).

### 7.4 Montáž externého regulátora teploty

#### Mechanický termostat

Regulátor teploty je možné namontovať na vnútornú alebo vonkajšiu stranu chladiaceho kontajnera. Vnútorná teplota je regulovaná v závislosti od povrchovej teploty výparníka, alebo v závislosti od teploty miestnosti, **v prípade VD-14N a VD-15.**

- ▶ Pripojte vinutý koniec kábla snímača k výparníku (obr. 15, strane 8, **nie VD-14N, VD-15**) s použitím upínacej dosky. Táto je predmontovaná na **VD-14N, VD-15.**
- ▶ Ubezpečte sa, že kábel snímača sa nikde inde nedotýka výparníka alebo sacieho vedenia.

## TEC ovládač

TEC ovládač musí byť upevnený na vonkajšej strane chladiaceho kontajnera. Vnútorňá teplota je regulovaná v závislosti od povrchovej teploty výparníka.

Snímač teploty je na akumulátore namontovaný už v závode.

- Spojte snímač teploty s TEC ovládačom s použitím zásuvnej spojky.

## Montáž jednosmerných spojok (nie CS-NC15)



### POZOR!

Pripojenie jednocestných spojok je dovolené iba osobám, ktoré sú skúsené a majú znalosti v oblasti chladiacej techniky. Pri manipulácii s chladivami sa musia dodržiavať všeobecné nariadenia!

Jednocestné spojky sú vhodné iba na jednorazové pripojenie k chladiacim agregátom. Opätovné rozpojenie alebo nesprávne pripojenie spojok spôsobí kompletný únik chladiva a poruchu chladiaceho agregátu!

V takýchto prípadoch sa dve predtým spojené časti chladiaceho agregátu musia demontovať a odoslať do závodu, kde sa jednocestné spojky vymenia a produkt sa naplní chladivom.

Dva komponenty chladiaceho agregátu – výparník a jednotka kompresora-kondenzátora – sa dodávajú samostatne. Komponenty sú spojené pomocou jednocestných spojok. Obidva komponenty už obsahujú množstvo chladiva, ktoré je potrebné na prevádzku celého chladiaceho agregátu. Z tohto dôvodu nie je potrebné doplnenie ďalšieho chladiva.

- Zmontujte jednotku kompresora-kondenzátora a jednotku výparníka.
- Odstráňte ochranné krytky a zátky z nepripojených polovic jednocestnej spojky jednotky kompresora-kondenzátora a jednotky výparníka.
- Dôkladne očistite sedlo spojky a závitový povrch, aby sa predišli vniknutiu nečistôt a cudzieho materiálu do systému.



### POZOR! Riziko úniku chladiva

- Na utiahnutie jednocestných spojok vždy použite dva kľúče, aby sa predišli skrúteniu rúrok!
- Opakované použitie jednosmerných spojok nie je dovolené!
- Zistite, ku ktorému pripojeniu jednej z dvoch jednosmerných spojok je ťažší prístup s kľúčom a pripojte ho ako prvé.
- Vždy pripojte iba jedno pripojenie jednocestnej spojky a potom druhé.

**POZNÁMKA**

O-kružok je iba priebežné utesnenie počas počiatočného pripojenia jednocestných spojok. Tento O-kružok sa používa iba na počiatočné utesnenie medzi pretrhnutím membrány a konečným kovovým tesnením. Utesnenie proti úniku sa dosiahne iba s kovovým tesnením medzi dvomi polovicami spojky.

- ▶ Naneste chladiaci olej na vnútorné a vonkajšie závitky a na vnútorné trne (obr. **16**, strane 8).
- ▶ Spojte dve polovice spojky a najprv ich zoskrutkujte rukou (obr. **17**, strane 8). Nepoužívajte kľúč!

**Jednosmerná spojka s prevlečnou maticou:**

- ▶ Naskrutkujte polovicu spojky s prevlečnou maticou s použitím kľúča veľkosti 21 mm a kľúča veľkosti 19 mm až po koniec závitku alebo pokým nepocítite citeľný odpor. Skrutkové spojenie ešte neťahajte.

Veľkosť kľúča 19 mm slúži ako vodiaci prvok pri naskrutkovaní prevlečnej matice.

**Spojenie jednosmernej spojky s externým závitom:**

- ▶ Naskrutkujte polovicu spojky s prevlečnou maticou s použitím kľúča veľkosti 21 mm a kľúča veľkosti 16 mm až po koniec závitku alebo pokým nepocítite citeľný odpor. Skrutkové spojenie ešte neťahajte.

Kľúč veľkosti 16 mm sa používa na pridržanie pri naskrutkovaní prevlečnej matice.

- ▶ Použite ceruzku na nakreslenie čiary pozdĺžne od prevlečnej matice ku konzole protifahej polovice spojky.
- ▶ Teraz pevne utiahnite prevlečnú maticu s momentom 30 Nm alebo o ďalšiu 1/4 otočenia. Odsadenie od čiary teraz ukazuje, ako silno bolo jednosmerná spojky utiahnutá.

Toto posledné otočenie je nevyhnutné na zaručenie tesného, nepriepustného spojenia medzi polovicami spojky.

**POZNÁMKA**

Vzdialenosť medzi začiatkom prevlečnej matice a šesťhranom vonkajšieho závitku nesmie presiahnuť 3 mm (obr. **17**, strane 8).

- ▶ Vykonať skúšku netesnosti na pripojeniach spojky. Táto zaručí, že jednosmerné spojky sú správne pripojené a tesnenie funguje.

## 7.5 Pripojenie chladiaceho agregátu

### Pripojenie k batérii

Chladiaci agregát možno prevádzkovať s 12 V alebo 24 V napájaním jednosmerným elektrickým prúdom.



#### POZOR!

Aby ste predišli poklesu napätia a tým aj poklesu výkonu, mal by byť kábel čo najkratší a neprerušený.

Z tohto dôvodu sa vyhnite doplnkovým spínačom, zásuvkám alebo rozdeľovacím zásuvkám.

- Určte potrebný prierez kábla v závislosti od dĺžky kábla podľa obr. **18**, strane 8. Legenda k obr. **18**, strane 8

Súradnicová os	Význam	Prístroj
I	Dĺžka kábla	m
∅	Prierez kábla	mm <sup>2</sup>



#### POZOR!

Dbajte na správnu polaritu.

- Pred spustením agregátu po prvýkrát skontrolujte, či sa prevádzkové napätie zhoduje s napätím batérie (pozri typový štítok).
- Pripojenie vášho agregátu
  - podľa možnosti k pólom batérie alebo
  - k zásuvke, ktorá je chránená poistkou s minimálnou hodnotou 15 A (pri 12 V) alebo 7,5 A (pri 24 V).



#### POZOR!

Odpojte chladiace zariadenie a iné spotrebiče od batérie vozidla skôr, než batériu pripojíte k rýchlonačbijačke. Prepätie môže poškodiť elektroniku zariadenia.

Z bezpečnostných dôvodov je agregát vybavený s elektronickým systémom na zabránenie prepólovaniu. To chráni agregát, keď je pripojený k batérii.



## Pripojenie k 230 V sieti



### VÝSTRAHA!

- Nikdy nemanipulujte s konektormi a spínačmi, keď máte mokré ruky alebo stojíte vo vode.
- Keď prevádzkujete chladiace zariadenie na palube člna prostredníctvom pevnej elektrickej prípojky 230 V z pevniny, musíte v každom prípade pripojiť prúdový chránič medzi 230 V elektrickú sieť a chladiace zariadenie.  
Poradte sa s kvalifikovaným odborníkom.

- ▶ Na prevádzku agregátu prostredníctvom 230 V elektrickej siete použite usmerňovač
  - CoolPower EPS100 pre zariadenia s kompresorom BD35F (séria 50/80/CS/CS),
  - CoolPower MPS35 pre zariadenia s kompresorom BD35F (séria 50/80/CS/CS),
  - CoolPower MPS50 pre zariadenia s kompresorom BD50F (séria90).



### POZNÁMKA

Výstupné napätie opísaného usmerňovača je 24 V. Pamätajte na to, keď budete neskôr pripájať iné spotrebiče.

## 8 Používanie chladiaceho agregátu

### 8.1 Tipy pre úsporu energie

- Vyberte si dobre vetrané miesto montáže, ktoré je chránené pred priamym slnečným svetlom.
- Horúce jedlá nechajte pred vložením do zariadenia najprv vychladnúť.
- Chladiaci kontajner neotvárajte častejšie, ako je to potrebné.
- Dvere nenechávajte otvorené dlhšie, ako je nevyhnutné.
- Chladiaci kontajner odmrzte, akonáhle sa vytvorí vrstva námrazy.
- Zabráňte zbytočne nízkym teplotám.
- V pravidelných intervaloch očistite kondenzátor od prachu a nečistôt.
- Pravidelne čistite tesnenie poklopu.

## 8.2 Spustenie chladiaceho agregátu

### Zariadenia bez TEC ovládača

- ▶ Zapnite chladiaci agregát otočením ovládacieho tlačidla doprava (obr. **1** A1 alebo B1, strane 3).

Ak ovládacie tlačidlo otočíte ďalej, môžete regulovať teplotu. Zariadenia s funkciou ukladania energie ponúkajú tlačidlo aktivácie ukladania (obr. **1** A2, strane 3).



#### POZNÁMKA

Ak červená LED dióda bliká alebo svieti, vyskytla sa chyba a systém sa nedá prevádzkovať (pozri tabuľku chýb v kapitole kap. „LED na tepelnom prvku (obr. **1** 2, strane 3)“ na strane 341).

### Zariadenia s TEC ovládačom

Zariadenia s TEC ovládačom sa spúšťajú zapnutím hlavného vypínača (obr. **2** 6, strane 3). Teplotu (obr. **2** 5, strane 3) môžete regulovať s voličom teploty.

## 8.3 Vypnutie chladiaceho agregátu

Ak chladiace zariadenie nebudete používať dlhšiu dobu, postupujte nasledovne:

- ▶ **Zariadenia bez TEC ovládača:** Otočte ovládacie tlačidlo na 0.
- ▶ **Zariadenia s TEC ovládačom:** Vypnite zariadenie s hlavným vypínačom (obr. **2** 6, strane 3).
- ▶ Odpojte elektrický kábel od batérie alebo vyťahnite zástrčku kábla jednosmerného prúdu z usmerňovača.
- ▶ Vyčist'ite chladiace zariadenie.
- ▶ Nechajte dvierka mierne pootvorené ponad kryt. Zabráňte tým tvorbe zápachu.

## 9 Používanie akumulátora chladu

### 9.1 Zobrazovacie a ovládacie prvky zariadení s TEC ovládačom

č.  
na obr. **2**, Vysvetlenie  
strane 3

1	Zelená LED: Signalizuje, že kompresor pracuje.
2	Žltá LED: Signalizuje, že externé napájanie je prítomné (napätie je vyššie ako 13,5 V alebo 27,0 V). LED bliká, ak je externé napájanie príliš nízke (napätie $\leq 10,7$ V alebo 21,7 V. Verzia E: $\leq 10,7$ V alebo 22,0 V).
3	Červená LED: Signalizuje, že akumulátor sa vypúšťa, pretože <ul style="list-style-type: none"> <li>• bolo stlačené tlačidlo vypustenia.</li> <li>• Vypnutie pri nízkom napätí (napätie <math>\leq 10,7</math> V alebo 21,4 V. Verzia E: <math>\leq 10,7</math> V alebo 22,0 V).</li> </ul>
4	Tlačidlo odberu z akumulátora: Preruší prevádzku kompresora, kým <ul style="list-style-type: none"> <li>• sa nevyčerpá uložená chladiaca energia.</li> <li>• Úroveň externého napájacieho napätia sa obnoví po nízkom napätí.</li> </ul>
5	Volič teploty: Dovoľuje nastavenie požadovanej teploty v chladiacom priestore Min. (ľavý doraz) = najteplejšie nastavenie Max. (pravý doraz) = najchladnejšie nastavenie
6	Hlavný vypínač: Na zapnutie a vypnutie chladiaceho zariadenia. Poloha 0 = VYP Poloha – = ZAP

### 9.2 Funkcia akumulácie chladu

Funkcia akumulácie chladu zaručuje, že chladiaca energia sa ukladá automaticky (až po dobu 8 hodín), ak je k dispozícii dostatočné množstvo elektrickej energie. Napríklad pri napájaní sieťovým adaptérom.

Uložená energia na chladenie sa uvoľní

- automaticky, keď sa dosiahne vypínacie napätie (pozri tabuľku na strane 330)
- alebo manuálne stlačením tlačidla vypustenia (obr. **1** A2 alebo obr. **2** 4, strane 3).

**POZNÁMKA**

Manuálny odber z akumulátora chladu je možný iba vtedy, ak bol predtým plne nabitý.

Akumulátor chladu sa automaticky nabíja, ak

- sa prekročí znovuzapínacie napätie
- alebo ak je akumulátor vybitý a zariadenie vypnete a znovu zapnete s ovládacím tlačidlom (obr. **2** 6, strane 3, funguje iba na VD-06).

**POZOR!**

Pri vybití akumulátora použite hlavný vypínač na vypnutie agregátu (obr. **1** B1 alebo obr. **2** 6, strane 3), hoci je k dispozícii externé napájanie, napríklad aby ste predišli hluku pri prevádzke kompresora.

**POZNÁMKA**

Majte na pamäti: Nízka vnútorná teplota = vysoký odber prúdu!

## 10 Záruka

Platí zákonom stanovená záručná lehota. Ak by bol výrobok chybný, obráťte sa na pobočku vo vašej krajine (pozri [dometic.com/dealer](http://dometic.com/dealer)) alebo na vášho špecializovaného predajcu.

Ak žiadate o vybavenie opravy alebo nárokov vyplývajúcich zo záruky, musíte priložiť nasledovné podklady:

- kópiu faktúry s dátumom kúpy,
- dôvod reklamácie alebo opis chyby.

## 11 Likvidácia

- Obalový materiál podľa možnosti odovzdajte do príslušného odpadu na recykláciu.



Keď výrobok definitívne vyradíte z prevádzky, informujte sa v najbližšom recyklačnom stredisku alebo u vášho špecializovaného predajcu o príslušných predpisoch týkajúcich sa likvidácie.

## 12 Odstraňovanie porúch

### LED na tepelnom prvku (obr. 1 2, strane 3)

Počet svetelných impulzov	Druh chyby	Náprava
1	Vypnutie prostredníctvom ochrany batérie	Skontrolujte napätie batérie, poistku a prierez kábla
2	Vypnutie z dôvodu nadmerného prúdu ventilátora	Skontrolujte prúd kondenzátora a ventilátora výparníka: Celková cieľová hodnota < 0,5 A
3	Chyba pri spustení kompresora	Znížte záťaž na chladiaci systém: <ul style="list-style-type: none"> <li>• Zabezpečte dobré vetranie okolo chladiaceho agregátu</li> <li>• Uskladnite predchladené potraviny</li> </ul>
4	Vypnutie kvôli preťaženiu kompresora	Znížte záťaž na chladiaci systém: <ul style="list-style-type: none"> <li>• Zabezpečte dobré vetranie okolo chladiaceho agregátu</li> <li>• Uskladnite predchladené potraviny</li> </ul>
5	Vypnutie zareagovaním elektronickej poistky	Znížte záťaž na chladiaci systém: <ul style="list-style-type: none"> <li>• Zabezpečte dobré vetranie okolo chladiaceho agregátu</li> </ul>

### Kompresor nefunguje

Porucha	Možná príčina	Náprava
$U_T = 0V$	Spojenie medzi batériou a – elektronikou je prerušené	Vytvorte spojenie
	Hlavný spínač je chybný (ak je k dispozícii)	Vymeňte hlavný spínač
	Prídavná výkonová poistka prehorená (ak je k dispozícii)	Vymeňte poistku
$U_T \leq U_{ON}$	Napätie batérie je príliš nízke	Nabite batériu
Pokus o spustenie s $U_T \leq U_{OFF}$	Uvoľnené káble	Vytvorte spojenie
	Zlý kontakt (korózia)	
	Kapacita batérie je príliš nízka	Vymeňte batériu za novú
	Prierez kábla je príliš malý	Vymeňte kábel (obr. 18, strane 8)

Porucha	Možná příčina	Náprava
Pokus o spustenie s $U_T \geq U_{ON}$	Teplota okolia je príliš vysoká	–
	Nedostatočná ventilácia a/alebo chladenie	Zabezpečte lepšie vetranie agregátu
	Kondenzátor znečistený	Vyčistite kondenzátor
	Ventilátor je chybný (ak je k dispozícii)	Vymeňte ventilátor

$U_T$  Napätie medzi kladnou a zápornou svorkou elektroniky

$U_{ON}$  Spínacie napätie elektroniky

$U_{OFF}$  Vypínacie napätie elektroniky

### Vnútná teplota príliš nízka v nastavení regulátora 1

Porucha	Možná příčina	Náprava
Kompresor nepretržite beží	Snímač termostatu nemá kontakt s výparníkom	Upevnite snímač
	Termostat je chybný	Vymeňte termostat
Kompresor beží príliš dlho	V mraziacej priehradke bolo zmrazené väčšie množstvo	–

### Chladiaci výkon klesá, vnútorná teplota stúpa

Porucha	Možná příčina	Náprava
Kompresor dlho/nepretržite beží	Na výparníku je námraza	Odmrazte výparník
	Teplota okolia je príliš vysoká	–
	Nedostatočná ventilácia a/alebo chladenie	Zabezpečte lepšie vetranie chladiaceho agregátu
	Kondenzátor znečistený	Vyčistite kondenzátor
	Ventilátor je chybný (ak je k dispozícii)	Vymeňte ventilátor
Kompresor beží prerušovane	Kapacita batérie vyčerpaná	Nabite batériu

## Neobvyklé zvuky

Porucha	Možná příčina	Náprava
Hlasné hučanie	Komponent chladiaceho okruhu sa nemôže voľne pohybovať (prilieha k stene)	Komponent opatrne ohnite smerom od prekážky
	Cudzí predmet zaseknutý medzi chladiacim zariadením a stenou	Odstráňte cudzí predmet
	Hluk ventilátora (ak je k dispozícii)	Vyčistite lopatky ventilátora

## 13 Technické údaje

	50	54	55
Max. obsah chladiaceho priestoru:	80 l	130 l	
Pripájacie napätie:	12 V <sup>===</sup> alebo 24 V <sup>===</sup>		
Odber prúdu:	35–40 W, závisí od typu výparníka		
Množstvo chladiaceho prostriedku:	28 g	35 g	
Ekvivalent CO <sub>2</sub> :	0,040 t	0,050 t	
Potenciál globálneho otepľovania (GWP):	1430		
Rozmery (Š × V × H) v mm:	315 × 140 × 170	386×155×130	220×160×220
Hmotnosť:	3,74 kg	6,0 kg	6,5 kg

	84	85	86
Max. obsah chladiaceho priestoru:	250 l		
Pripájacie napätie:	12 V <sup>===</sup> alebo 24 V <sup>===</sup>		
Množstvo chladiaceho prostriedku:	45 g		
Ekvivalent CO <sub>2</sub> :	0,064 t		
Potenciál globálneho otepľovania (GWP):	1430		

	<b>84</b>	<b>85</b>	<b>86</b>
Rozmery (Š × V × H) v mm:	386x155x130	220x155x220	220x230x177
Hmotnosť:	6,0 kg	6,0 kg	6,5 kg

	<b>94</b>	<b>95</b>	<b>96</b>
Max. obsah chladiaceho priestoru:	400 l		
Pripájacie napätie:	12 V $\overline{=}$ alebo 24 V $\overline{=}$		
Množstvo chladiaceho prostriedku:	60 g		
Ekvivalent CO <sub>2</sub> :	0,086 t		
Potenciál globálneho otepľovania (GWP):	1430		
Rozmery (Š × V × H) v mm:	386x155x130	220x155x220	220x230x177
Hmotnosť:	6,0 kg	6,0 kg	6,5 kg

	<b>CS-NC15</b>
Max. obsah chladiaceho priestoru:	250 l
Pripájacie napätie:	12 V $\overline{=}$ alebo 24 V $\overline{=}$
Množstvo chladiaceho prostriedku:	60 g
Ekvivalent CO <sub>2</sub> :	0,086 t
Potenciál globálneho otepľovania (GWP):	1430
Rozmery (Š × V × H) v mm:	360x255x275
Hmotnosť:	8,5 kg



	<b>VD-01</b>	<b>VD-02</b>	<b>VD-03</b>	<b>VD-04</b>
Max. obsah chladiaceho priestoru pri 35 mm PU izolácii:	80 l	30 l	170 l	130 l
Max. obsah chladiaceho priestoru pri 50 mm PU izolácii:	100 l	50 l	200 l	170 l
Odber prúdu:	35 W	35 W	50 W	45 W
Napätie	12 V <sup>===</sup> alebo 24 V <sup>===</sup>			
Množstvo chladiaceho prostriedku:	17 g		20 g	30 g
Ekvivalent CO <sub>2</sub> :	0,024 t		0,029 t	0,043 t
Potenciál globálneho otepľovania (GWP):	1430			
Rozmery (Š × V × H) v mm:	300x245x110	275x215x25	380x230x82	375x255x100
Hmotnosť:	1,5 kg	1,0 kg	2,0 kg	1,5 kg

	<b>CU-50 + VD-01</b>	<b>CU-50 + VD-02</b>	<b>CU-50 + VD-07</b>
Max. obsah chladiaceho priestoru pri 35 mm PU izolácii:	50 l	30 l	60 l
Max. obsah chladiaceho priestoru pri 50 mm PU izolácii:	75 l	50 l	80 l
Odber prúdu:	30 W		
Teplota:	okolia: 32 °C, vnútorná: 5 °C		

	<b>VD-05</b>	<b>VD-07</b>	<b>VD-08</b>	<b>VD-09</b>
Max. obsah chladiaceho priestoru pri 35 mm PU izolácii:	130 l	100 l	160 l	160 l
Max. obsah chladiaceho priestoru pri 50 mm PU izolácii:	170 l	130 l	180 l	180 l
Odber prúdu:	45 W	35 W	60 W	60 W
Napätie	12 V <sup>===</sup> alebo 24 V <sup>===</sup>			

	<b>VD-05</b>	<b>VD-07</b>	<b>VD-08</b>	<b>VD-09</b>
Množstvo chladia- ceho prostriedku:	30 g	45 g	15 g	65 g
Ekvivalent CO <sub>2</sub> :	0,043 t	0,064 t	0,021 t	0,093 t
Potenciál globálneho otepl'ovania (GWP):	1430			
Rozmery (Š × V × H) v mm:	375x350x25	255x210x90	450x270x340	365x140x270
Hmotnosť:	1,5 kg	1,5 kg	2,0 kg	2,0 kg

	<b>VD-14N</b>	<b>VD-15</b>	<b>VD-18</b>
Max. obsah chladia- ceho priestoru pri 35 mm PU izolácii:	300 l	200 l	100 l
Max. obsah chladia- ceho priestoru pri 50 mm PU izolácii:	400 l	250 l	150 l
Odber prúdu:	80 W	60 W	45 W
Napätie	12 V <sup>===</sup> alebo 24 V <sup>===</sup>		
Množstvo chladia- ceho prostriedku:	15 g		
Ekvivalent CO <sub>2</sub> :	0,021 t		
Potenciál globálneho otepl'ovania (GWP):	1430		
Rozmery (Š × V × H) v mm:	220x275x65	220x275x65	350x250x25
Hmotnosť:	2,5 kg	1,5 kg	1,5 kg

	<b>VD-16</b>	<b>VD-21</b>
Max. obsah chladia- ceho priestoru pri 60 mm PU izolácii:	130 l	250 l
Max. obsah chladia- ceho priestoru pri 100 mm PU izolácii:	200 l	300 l
Odber prúdu:	60 W	60 W
Napätie	12 V <sup>===</sup> alebo 24 V <sup>===</sup>	

	<b>VD-16</b>	<b>VD-21</b>
Množstvo chladia- ceho prostriedku:	40 g	10 g
Ekvivalent CO2:	0,057 t	0,014 t
Potenciál globálneho otepl'ovania (GWP):	1430	
Rozmery (Š × V × H) v mm:	330x260x130	1370x305x10
Hmotnosť:	2,5 kg	4,0 kg
	<b>VD-16 pre sériu 80</b>	<b>VD-16 pre sériu 90</b>
Max. obsah chladia- ceho priestoru pri 35 mm PU izolácii:	120 l	200 l
Max. obsah chladia- ceho priestoru pri 50 mm PU izolácii:	200 l	250 l
Odber prúdu:	65 W	80 W
Napätie	12 V <sup>===</sup> alebo 24 V <sup>===</sup>	
Množstvo chladia- ceho prostriedku:	40 g	
Ekvivalent CO2:	0,057 t	
Potenciál globálneho otepl'ovania (GWP):	1430	
Rozmery (Š × V × H) v mm:	380x300x62	
Hmotnosť:	5,0 kg	

**Test/certifikáty:**

Chladiaci okruh obsahuje chladivo R-134a.

Obsahuje fluórované skleníkové plyny

Pečlivě si prosím přečtěte a dodržujte všechny pokyny, směrnice a varování obsažené v tomto návodu k výrobku, abyste měli jistotu, že výrobek budete vždy správně instalovat, používat a udržovat. Tyto pokyny MUSÍ být uchovávány v blízkosti výrobku.

Používáním výrobku tímto potvrzujete, že jste si pečlivě přečetli všechny pokyny, směrnice a varování a že rozumíte podmínkám uvedeným v tomto dokumentu a souhlasíte s nimi. Souhlasíte s používáním tohoto výrobku pouze k určenému účelu a použití a v souladu s pokyny, směrnicemi a varováními uvedenými v tomto návodu k výrobku a v souladu se všemi příslušnými zákony a předpisy. Pokud si nepřečtete a nebudete dodržovat zde uvedené pokyny a varování, může to vést ke zranění vás i ostatních, poškození vašeho výrobku nebo poškození jiného majetku v okolí. Tento návod k výrobku, včetně pokynů, směrnic a varování a související dokumentace může být předmětem změn a aktualizací. Aktuální informace o výrobku naleznete na stránkách [dometic.com](http://dometic.com).

## Obsah

1	Vysvětlení symbolů . . . . .	348
2	Bezpečnostní pokyny . . . . .	349
3	Obsah dodávky . . . . .	351
4	Příslušenství . . . . .	351
5	Použití v souladu s účelem . . . . .	351
6	Technický popis . . . . .	352
7	Montáž chladicího agregátu . . . . .	353
8	Použití chladicího agregátu . . . . .	360
9	Použití chladicího akumulátoru . . . . .	362
10	Odpovědnost za vady . . . . .	363
11	Likvidace . . . . .	363
12	Odstraňování poruch a závad . . . . .	364
13	Technické údaje . . . . .	366

## 1 Vysvětlení symbolů



### NEBEZPEČÍ!

**Bezpečnostní upozornění** na nebezpečnou situaci, která vede k úmrtí nebo těžkému poranění osob, pokud se jí nevyhnete.



### VÝSTRAHA!

**Bezpečnostní upozornění** na nebezpečnou situaci, která může vést k úmrtí nebo těžkému poranění osob, pokud se jí nevyhnete.

**UPOZORNĚNÍ!**

**Bezpečnostní upozornění** na nebezpečnou situaci, která může vést k lehkému nebo středně těžkému poranění osob, pokud se jí nevyhnete.

**POZOR!**

Upozornění na situaci, která může vést k poškození majetku, pokud se jí nevyhnete.

**POZNÁMKA**

Doplňující informace týkající se obsluhy výrobku.

## 2 Bezpečnostní pokyny

### 2.1 Základní bezpečnost

**NEBEZPEČÍ!**

- **Nebezpečí smrtelných zranění!**

**Při používání přístroje na lodích:** při použití síťového napájení přístroje je nezbytné, aby byl napájecí zdroj chráněn proudovým chráničem!

**VÝSTRAHA!**

- Instalaci a opravy tohoto přístroje smějí provádět pouze kvalifikovaní technici. Nedostatečné opravy mohou způsobit značné nebezpečí. V případě nutné opravy kontaktujte zákaznický servis.
- V případě, že je přístroj viditelně poškozen, nesmíte ho používat.
- Nikdy neotevírejte chladicí okruh. Výjimkou je nutnost odpojení přístroje z důvodu jeho vrácení (kap. „Montáž externího regulátoru teploty“ na straně 356).
- Umístěte přístroj na suchém místě chráněném před stříkající vodou.
- Přístroj neinstalujte v blízkosti otevřeného ohně nebo jiných tepelných zdrojů (topení, přímé sluneční záření, plynová kamna apod.).
- Pamatujte, že kompresor musí být dostatečně odvětrávaný.
- **Elektronické přístroje nejsou hračky pro děti!**  
Výrobek ukládejte a používejte vždy mimo dosah dětí.

- Osoby (včetně dětí), které z důvodu svých fyzických, sensorických nebo duševních schopností, nebo své nezkušenosti nebo neznalosti, nejsou schopny tento výrobek bezpečně používat, tak nesmějí činit bez dohledu nebo poučení odpovědné osoby.
- Zkontrolujte před spuštěním přístroje poprvé, zda je provozní napětí a síťové napětí shodné (viz typový štítek).
- Pokud je přívodní kabel poškozen, musíte jej vyměnit, aby nedošlo k ohrožení. Poškozený přívodní kabel smíte vyměnit pouze za přívodní kabel stejného typu a specifikace.
- Neskladujte v přístroji výbušné látky, jako např. spreje s hnacím plynem.

## 2.2 Bezpečnost za provozu přístroje



### **NEBEZPEČÍ! Nebezpečí smrtelných zranění!**

- Nikdy se nedotýkejte odizolovaných vodičů. To platí především pro provoz přístroje ze sítě střídavého proudu.



### **POZOR!**

- K čištění výparníku nikdy nepoužívejte čisticí písky nebo čisticí prostředky s obsahem rozpouštědel nebo kyselin.
- Chraňte přístroj před deštěm a vlhkostí.
- Odpojte chladicí agregát a jiné spotřebiče od baterie ještě před připojením rychlonabíječky.



### **POZNÁMKA**

- Pokud nebudete přístroj déle používat, odpojte jej.

## 2.3 Bezpečnost při manipulaci s bateriemi



### **UPOZORNĚNÍ! Nebezpečí zranění!**

- Baterie mohou obsahovat agresivní a leptavé kyseliny. Zabraňte jakémukoliv tělesnému kontaktu s kapalinou z baterie. Pokud se kůže dostane do styku s kapalinou z baterie, příslušnou část těla si důkladně omyjte vodou.
- V případě připojení přístroje k baterii zajistěte, aby se do kontaktu s kyselinou z baterie nedostaly žádné potraviny.

### 3 Obsah dodávky

Množství	Popis
1	Chladicí agregát nebo výparník
1	Návod k obsluze

### 4 Příslušenství

Pokud si přejete používat chladicí agregát v síti se střídavým proudem 230 V, použijte některý z následujících měničů napětí.

Dostupné jako příslušenství (není součástí dodávky):

Popis	Číslo výrobku
Měnič CoolPower EPS100 Pro přístroje s kompresorem BD 35F (řada 50/80/CS/CS)	9600000440
Měnič CoolPower MPS35 Pro přístroje s kompresorem BD 35F (řada 50/80/CS/CS)	9600000445
Měnič CoolPower MPS50 Pro přístroje s kompresorem BD 50F (řada 90)	9600000441

### 5 Použití v souladu s účelem

Chladicí agregát je vhodný k vlastní instalaci chladničky nebo chladicího boxu.

Chladicí agregát je vhodný k chlazení a zmrazování potravin. Přístroj je určen i k provozu na lodích.

Tento výrobek je vhodný pouze k určenému účelu a použití v souladu s tímto návodem.

Tento návod poskytuje informace, které jsou nezbytné pro řádnou instalaci a/nebo provoz výrobku. Nedostatečná instalace a/nebo nesprávný provoz či údržba povedou k neuspokojivému výkonu a možné závadě.

Výrobce nepřijímá žádnou odpovědnost za jakékoli zranění nebo poškození výrobku vyplývající z následujícího:

- Nesprávné sestavení nebo připojení včetně nadměrného napětí
- Nesprávná údržba nebo použití jiných náhradních dílů než původních dílů dodaných výrobcem

- Změna výrobku bez výslovného souhlasu výrobce
- Použití k jiným účelům, než jsou popsány v tomto návodu

Společnost Dometic si vyhrazuje právo změnit vzhled a specifikace výrobku.

## 6 Technický popis

Chladicí agregáty jsou vhodné k použití v rámci stejnosměrného napětí 12 V nebo 24 V, a mohou tak být používány i při kempování nebo na lodích. Navíc je můžete připojit k napájecímu zdroji 230 V přes měniče (viz kap. „Příslušenství“ na strani 351).

V případě použití na lodích může být chladicí agregát vystaven trvalému náklonu 30°.

Chladicí agregát se musí používat spolu s výparníkem. Navíc můžete chladicí akumulátor používat s řídicí jednotkou TEC nebo bez ní. **CS-NC15** obsahuje chladicí agregát a výparník.

Pomocí termostatu na výparníku můžete plynule nastavovat požadovanou teplotu.

Chladicí akumulátor a programovatelná řídicí jednotka TEC umožňují dosažení vysokého chladicího výkonu a zlepšují účinnost. Akumulátor se nabíjí při dostatečném napájení (například při napájení ze síťového adaptéru). V případě použití akumulátoru nebo podpětí je chladicí prostředek čerpán z akumulátoru až do vyprázdnění. Během této doby není zatěžována baterie.

Programovatelná řídicí jednotka TEC zajišťuje:

- akumulaci chladicí energie, pokud je dostupná nadbytečná elektrická energie (externí napájení dynamem, nabíječkou, síťovým zdrojem apod.)
- Aktivaci chladicího akumulátoru kdykoliv k zajištění dostupnosti kompletní energie z baterie pro jiné spotřebiče.
- Jakmile je kapacita baterie vyčerpána, uložená chladicí energie je automaticky odebírána k zachování vnitřní teploty chlazení chladicí oblasti.



### POZNÁMKA

Další informace o chladicím akumulátoru naleznete v části kap. „Použití chladicího akumulátoru“ na strani 362.

### 6.1 Snímač baterie

Chladicí agregát je vybaven elektronickým zařízením pro ochranu před záměnou polarit při připojení k baterii. Z důvodu ochrany baterie se chladicí agregát vždy automaticky vypne, jakmile je napětí nedostatečné (viz následující tabulky).



## Přístroje bez řídicí jednotky TEC

Napájecí napětí	Vypínací napětí	Napětí restartu
12 V	10,4 V	11,7 V
24 V	22,8 V	24,2 V

## Přístroje s řídicí jednotkou TEC

Napájecí napětí	Vypínací napětí	Napětí restartu
12 V	10,7 V	13,0 V
24 V	22,0 V	26,0 V

# 7 Montáž chladicího agregátu



### VÝSTRAHA!

Montáž může provádět pouze kvalifikovaný technik.

## 7.1 Potřebné nástroje

**K instalaci a montáži** potřebujete následující nástroje:

- Vrtačka
- Šroubovák
- Plochý klíč: 16 mm, 19 mm a 21 mm
- Těsnicí hmota a montážní pěna
- Kabely, kabelová oka a kabelové spony
- Esterový olej

## 7.2 Informace o chladicím boxu

### Dovolený obsah chladicího prostoru

Ujistěte se, že není překročen maximální předepsaný obsah v chladicím prostoru pro příslušný typ výparníku (viz kap. „Technické údaje“ na straně 366).

## Minimální izolace

Maximální obsah chladicího prostoru je založen na minimální izolaci z pěnového polyuretanu o tloušťce 35 mm a objemové hmotnosti 40 kg/m<sup>3</sup>. Při použití jiných izolačních materiálů, jako je např. styropor, musíte tloušťky stěn zdvojnásobit, aby bylo dosaženo stejné tepelné izolace.

## Montáž výparníku

Výparník musí být namontován v chladicím boxu (kromě **CS-NC15** je výparník předmontován).

Dodržujte přitom následující pokyny:

- správná montážní poloha (obr. **3**, strana 4 až obr. **9**, strana 6)
- uspořádání v chladicím boxu co nejvíce nahoře
- Montujte nejméně 10 mm od stěny (**ne VD-14N a VD-15**).



### POZOR!

Pro chladicí agregáty bez ventilových spojek (jednotky připravené k instalaci): Při montáži nerozpojujte chladicí okruh. Případně musíte provést průchodky stěnou v takové velikosti, abyste mohli protáhnout výparník (obr. **11**, strana 6). Nebo proveďte průchodku tak, abyste mohli shora instalovat chladicí rozvody (obr. **12**, strana 6).

## Připojení výparníku

- ▶ Připojte výparníky **VD-14N a VD-15** v souladu s obr. **10**, strana 6.
- ▶ Připojte výparník **VD-16** v souladu s obr. **9**, strana 6.
- ▶ Připojte jiné výparníky podle obr. **19**, strana 9.

## Legenda k obrázkům

Č. na obr. <b>8</b> , strana 5	Vysvětlení
1	Ventilátor na stejnosměrný proud (DC)
2	Tlačítko termostatu
3	Přívodní zástrčka ventilátoru na stejnosměrný proud (DC)
4	Termostat
5	Přívodní kabel

Č. na obr. <b>9</b> , strana 6	Vysvětlení
-----------------------------------	------------

1	Přívodní kabel
---	----------------

Č. na obr. <b>10</b> , strana 6	Vysvětlení
------------------------------------	------------

1	Přívodní kabel
---	----------------

Č. na obr. <b>19</b> , strana 9 a obr. <b>20</b> , strana 9	Vysvětlení
---	------------

1	Připojovací blok
---	------------------

2	Kompresor
---	-----------

3	Ventilátor
---	------------

4	Spínač obr. <b>19</b> nebo řídicí jednotka TEC obr. <b>20</b>
---	---

**POZOR!**

Po provedené montáži opět pečlivě izolujte a utěsněte průchodky tak, aby do nich nemohla vniknout vlhkost.

**Pro chladicí agregáty s ventilovými spojkami**

- K provedení průchodky pro chladicí rozvody vytvořte výřez o průměru minimálně 30 mm (obr. **13**, strana 7). Použijte vykrúžovací nůž.

**POZOR!**

Nikdy nesmíte přivřít spojovací rozvody mezi výparník a agregát. Poloměr ohybu min. 25 mm

**7.3 Montáž chladicího agregátu**

Správný výběr místa k instalaci agregátu je mimořádně důležitý. K zajištění správné funkčnosti přístroje dodržujte následující body:

- Umístěte chladicí agregát na suchém chráněním místě. Neinstalujte jej vedle zdrojů tepla, jakými jsou topení, plynové vařiče, rozvody teplé vody apod. Nenechávejte stát na přímém slunci.
- Instalujte chladicí agregát v lodích pokud možno pod čárou ponoru.

- Chladicí agregát funguje při úhlu sklonu až 30°. Instalujte jej na rovné ploše, aby pracoval ještě při pokud možno silném náklonu.
- Zahřátý vzduch musí být možné bez překážek odvádět (obr. **14**, strana 7).
- Při instalaci chladicího agregátu do uzavřeného prostoru, jako je skříňka, komora nebo skladovací bedna, musíte zajistit otvory o volném průřezu minimálně 200 cm<sup>2</sup> (25 cm x 8 cm) k přívodu a odvádění vzduchu.
- Pamatujte, že proud vzduchu u kondenzátoru (obr. **14** C, strana 7) nesmí být omezen.
- Udržujte minimální vzdálenost mezi kondenzátorem a sousední stěnou (50 mm).
- **CS-NC15:** Pracujte při montáži podle obrázku s vrtací šablonou (obr. **21**, strana 11) a podle montážního výkresu (obr. **22**, strana 12).

## 7.4 Montáž externího regulátoru teploty

### Mechanický termostat

Regulátor teploty můžete instalovat do chladicího boxu nebo mimo něj. Vnitřní teplota se reguluje v závislosti na povrchové teplotě výparníku nebo **pro VD-14N a VD-15** v závislosti na teplotě v místnosti.

- ▶ Připojte stočený konec kabelu snímače k výparníku (obr. **15**, strana 8, **ne VD-14N, VD-15**) pomocí svěrací příložky. Ta je předmontována na **VD-14N, VD-15**.
- ▶ Dávejte pozor, aby vodič snímače nebyl v kontaktu na jiném místě s výparníkem nebo s rozvodem sání.

### Řídicí jednotka TEC

Regulátor TEC (řídicí jednotka) můžete instalovat do chladicího boxu nebo mimo něj. Regulace vnitřní teploty probíhá v závislosti na teplotě povrchu výparníku.

Snímač teploty je z výroby pevně připevněn k akumulátoru energie.

- ▶ Připojte snímač teploty k řídicí jednotce TEC pomocí zasouvací spojky.

## Montáž spojek na jedno použití (ne pro CS-NC15)



### POZOR!

Jednosměrné spojky smějí připojovat pouze osoby, které mají odborné znalosti a znalosti v oboru chladicí techniky. Je třeba dodržovat obecné předpisy pro manipulaci s chladivem!

Jednosměrné spojky jsou vhodné pro připojení chladicích agregátů pouze jednou. Opětovné otevření nebo nesprávné připojení spojky bude mít za následek úplnou ztrátu chladiva a poruchu chladicího agregátu!

V takových případech je třeba demontovat a zaslat dvě dříve připojené části chladicího agregátu. V továrně se jednosměrné spojky vymění a výrobek se znovu naplní chladivem.

Obě součásti chladicího agregátu – výparník a jednotka kompresoru a kondenzátoru – se dodávají samostatně. Součásti jsou spojeny jednosměrnými spojkami. Množství chladiva potřebné k provozu celého chladicího agregátu je již obsaženo ve dvou součástech. Následné plnění chladivem proto není nutné.

- ▶ Sestavte jednotku kompresoru a kondenzátoru a jednotku výparníku.
- ▶ Z nespojených polovin jednosměrné spojky jednotky kompresoru a kondenzátoru a jednotky výparníku odstraňte ochranné krytky a zátky.
- ▶ Pečlivě očistěte sedlo spojky a povrch závitu, aby se do systému nedostaly nečistoty nebo cizí předměty.



### POZOR! Riziko úniku chladiva

- Při utahování jednosměrných spojek vždy používejte dva klíče, abyste zabránili zkroucení trubek!
- Opětovné použití jednosměrných spojek není povoleno!
- Zjistěte, ke které ze dvou přípojek jednosměrných spojek je obtížnější získat přístup pomocí klíče, a připojte ji jako první.
- Vždy připojte pouze jednu jednosměrnou spojku a poté druhou.



### POZNÁMKA

O-kroužek je pouze prozatímním těsněním během počátečního připojení jednosměrných spojek. Tento O-kroužek se používá pouze pro počáteční utěsnění mezi propíchnutím membrány a definitivním kovovým těsněním. Těsnosti je dosaženo pouze kovovým spojením mezi oběma polovinami spojky.

- ▶ Naneste chladicí olej na vnitřní a vnější závit a na vnitřní trny (obr. **16**, strana 8).

- ▶ Spojte obě poloviny spojky a nejprve je ručně sešroubujte (obr. 17, strana 8). Nepoužívejte maticový klíč!

### Jednosměrná spojka s převlečnou maticí:

- ▶ Polovinu spojky našroubujte s převlečnou maticí pomocí klíče velikosti 21 mm a klíče velikosti 19 mm až na konec závitu nebo do znatelného odporu. Šroubovací přípojku ještě neutahujte.

Klíč velikosti 19 mm slouží jako vodící pomůcka při našroubování převlečné matice.

### Připojení jednosměrné spojky s vnějším závitem:

- ▶ Polovinu spojky našroubujte s převlečnou maticí pomocí klíče velikosti 21 mm a klíče velikosti 16 mm až na konec závitu nebo do znatelného odporu. Šroubovací přípojku ještě neutahujte.

Klíč velikosti 16 mm slouží jako pojistný prvek při našroubování převlečné matice.

- ▶ Tužkou nakreslete podélnou čáru od převlečné matice k držáku opačné poloviny spojky.
- ▶ Nyní pevně utáhněte převlečnou matici utahovacím momentem 30 Nm nebo o další 1/4 otáčky. Posun čáry ukazuje, jak silně byla jednosměrná spojka utahována.

Tato poslední otáčka je nutná, aby bylo zajištěno těsné spojení mezi polovinami spojky.



#### POZNÁMKA

Vzdálenost mezi začátkem převlečné matice a šestihranem vnějšího závitu nesmí překročit 3 mm (obr. 17, strana 8).

- ▶ Proveďte zkoušku těsnosti na přípojkách spojky. Tím je zajištěno, že jednosměrné spojky jsou správně připojeny a těsněně je funkční.

## 7.5 Připojení chladicího agregátu

### Připojení k baterii

Chladicí agregát lze používat v rámci stejnosměrného napětí 12 V nebo 24 V.

**POZOR!**

Z důvodu zabránění ztrátám napětí a výkonu použijte co nejkratší nepřerušovaný kabel.

Ze stejného důvodu nepoužívejte další spínače, zástrčky nebo zásuvkové rozbočky.

- ▶ Stanovte potřebný průřez kabelu v závislosti na délce kabelu podle obr. **18**, strana 8.

Legenda k obr. **18**, strana 8

Souřadná osa	Význam	Jednotka
I	Délka kabelu	m
∅	Průřez kabelu	mm <sup>2</sup>

**POZOR!**

Dodržujte správnou polaritu.

- ▶ Zkontrolujte před spuštěním agregátu poprvé, zda je provozní napětí a síťové napětí shodné (viz typový štítek).
- ▶ Připojte chladicí agregát
  - pokud možno přímo k pólu baterie nebo
  - k zásuvce, která je jištěna minimálně 15 A (pro 12 V) nebo 7,5 A (pro 24 V).

**POZOR!**

Odpojte chladicí agregát a jiné spotřebiče od baterie vozidla ještě před připojením baterie k rychlonabíjecímu zařízení. Přepětí může poškodit elektronické systémy přístrojů.

Z bezpečnostních důvodů je chladicí agregát vybaven elektronickým systémem, který zabráňuje obrácení polarity. Tím je chladicí agregát chráněn při připojení k baterii.

## Připojení k síti 230 V



### VÝSTRAHA!

- Nikdy nemanipulujte se zástrčkami a spínači s mokřými rukama nebo pokud stojíte v mokru.
- Pokud používáte chladicí přístroj na palubě lodi, která je připojena k síťové přípojce 230 V na souši, musíte vždy instalovat mezi síť 230 V a chladicí přístroj proudový chránič. Poradte se s odborníkem.

- ▶ K provozu chladicího agregátu ze sítě 230 V použijte usměrňovač.
  - CoolPower EPS100 pro přístroje s kompresorem BD35F (řada 50/80/CS/CS),
  - CoolPower MPS35 pro přístroje s kompresorem BD35F (řada 50/80/CS/CS),
  - CoolPower MPS50 pro přístroje s kompresorem BD50F (řada 90).



### POZNÁMKA

Výstupní napětí popsaného usměrňovače je 24 V. Na to pamatujte při pozdějším připojování jiných spotřebičů.

## 8 Použití chladicího agregátu

### 8.1 Tipy k úspoře energie

- Zvolte dobře větrané místo montáže, které je chráněno před přímým slunečním zářením.
- Teplé pokrmy nechejte před uložením do přístroje vychladnout.
- Chladicí box neotevírejte častěji, než je nezbytně nutné.
- Nenechávejte dvířka otevřená déle, než je nutné.
- Chladicí box odmrazte, jakmile se vytvoří vrstva ledu.
- Zabraňte vzniku zbytečných nízkých vnitřních teplot.
- Z kondenzátoru odstraňujte v pravidelných intervalech prach a nečistoty.
- Pravidelně čistěte těsnění víka.



## 8.2 Uvedení chladicího agregátu do provozu

### Přístroje bez řídicí jednotky TEC

- ▶ Chladicí agregát zapněte otáčením ovládacího tlačítka ve směru chodu hodinových ručiček (obr. **1** A1 nebo B1, strana 3).

Dalším otáčením ovládacího tlačítka lze regulovat teplotu. Přístroje s funkcí akumulace energie jsou navíc vybaveny tlačítkem k čerpání akumulace (obr. **1** A2, strana 3).



#### POZNÁMKA

Pokud červená LED bliká nebo svítí, došlo k chybě a systém není připraven k provozu (viz tabulka závad v části kap. „Kontrolky LED na tepelném prvku (obr. **1** 2, strana 3)“ na straně 364).

### Přístroje s řídicí jednotkou TEC

Přístroje s řídicí jednotkou TEC jsou uváděny do provozu hlavním vypínačem (obr. **2** 6, strana 3). Pomocí přepínače teploty (obr. **2** 5, strana 3) potom můžete nastavit teplotu.

## 8.3 Odpojení chladicího agregátu

Pokud nebudete chladicí agregát delší dobu používat, postupujte takto:

- ▶ **Přístroje bez řídicí jednotky TEC:** Otočte ovládací tlačítko na 0.
- ▶ **Přístroje s řídicí jednotkou TEC:** Vypněte přístroj hlavním vypínačem (obr. **2** 6, strana 3).
- ▶ Odpojte elektrický kabel od baterie nebo odpojte zástrčku z přívodu stejnosměrného proudu z usměrňovače.
- ▶ Vyčistěte chladicí agregát.
- ▶ Nechejte víko nebo dveře pootevřené. Tím se zabrání tvorbě zápachu.

## 9 Použití chladicího akumulátoru

### 9.1 Indikační a ovládací prvky přístrojů s programovatelnou řídicí jednotkou TEC

č.

na obr. **2**, Vysvětlení  
strana 3

1	zelená LED: Signalizuje funkci kompresoru.
2	Žlutá LED: signalizuje přítomnost externího napájení (napětí je vyšší než 13,5 V nebo 27,0 V). LED bliká, pokud je externí napájení příliš nízké (napětí $\leq 10,7$ V nebo 21,7 V. Verze E: $\leq 10,7$ V nebo 22,0 V).
3	Červená LED: signalizuje, že je akumulátor vybitý z důvodu stisknutí <ul style="list-style-type: none"> <li>• ručního ovládacího tlačítka k odběru z akumulátoru</li> <li>• Vypnutí při nízkém napětí (napětí <math>\leq 10,7</math> V nebo 21,4 V. Verze E: <math>\leq 10,7</math> V nebo 22,0 V).</li> </ul>
4	Tlačítko vybití akumulátoru: přeruší provoz kompresoru až <ul style="list-style-type: none"> <li>• do spotřebování akumulované chladicí energie</li> <li>• do opětovné dostupnosti externího napájení po podpětí.</li> </ul>
5	Volič teploty: umožňuje nastavit teplotu v chladicí oblasti podle potřeby Min. (poloha zcela vlevo) = nastavení nejvyšší teploty Max. (poloha zcela vpravo) = nastavení nejnižší teploty
6	Hlavní vypínač: pro zapnutí a vypnutí přístroje. Poloha 0 = vypnuto Poloha – = zapnuto

### 9.2 Funkce akumulátoru

Funkce akumulátoru zajišťuje, že chladicí energie je automaticky ukládána (až 8 hodin), pokud je k dispozici dostatek elektrické energie, například když je napájeno síťovým adaptérem.

Využívání akumulovaného chladu probíhá

- automaticky při dosažení napětí k vypnutí (viz tabulka na strana 353)
- nebo ručně stisknutím tlačítka k odběru z akumulátoru (obr. **1** A2 nebo obr. **2** 4, strana 3).

**POZNÁMKA**

Odběr z chladicího akumulátoru ruční aktivací je dostupný pouze v případě, že je akumulátor zcela nabitý.

Chladicí akumulátor je opět automaticky nabíjen,

- jakmile je překročeno napětí k opětovnému zapnutí
- nebo je akumulátor prázdný a přístroj vypnete a znovu zapnete pomocí ovládacího tlačítka (obr. **2** 6, strana 3, funguje pouze u VD-06).

**POZOR!**

Pokud odebíráte akumulovaný chlad z chladicího akumulátoru, ačkoliv je dostupné externí napájení (např. z důvodu zabránění hlučnosti kompresoru), vypněte agregát hlavním vypínačem (obr. **1** B1 nebo obr. **2** 6, strana 3).

**POZNÁMKA**

Pamatujte: Nízká vnitřní teplota = vyšší spotřeba proudu!

## 10 Odpovědnost za vady

Na výrobek je poskytována záruka v souladu s platnými zákony. Zjistíte-li, že je výrobek vadný, zašlete jej do pobočky výrobce ve vaší zemi (viz [dometic.com/dealer](http://dometic.com/dealer)) nebo do specializovanému prodejci.

K vyřízení opravy nebo záruky nezapomeňte odeslat následující dokumenty:

- Kopii účtenky s datem zakoupení,
- Uvedení důvodu reklamace nebo popis vady.

## 11 Likvidace

► Obalový materiál likvidujte v odpadu určeném k recyklaci.



Jakmile výrobek zcela vyřadíte z provozu, informujte se v příslušných recyklačních centrech nebo u specializovaného prodejce o příslušných předpisech o likvidaci odpadu.

## 12 Odstraňování poruch a závad

### Kontrolky LED na tepelném prvku (obr. 1 2, strana 3)

Počet světelných impulzů	Typ chyby	Náprava
1	Bezpečnostní odpojení baterie	Zkontrolujte napětí baterie, pojistku a průřez kabelu
2	Vypnutí ventilátoru z důvodu nadproudu	Zkontrolujte proud kondenzátoru a výparníku: celková cílová hodnota <0,5 A
3	Závada při rozběhu kompresoru	Odlehčete chladicí systém: <ul style="list-style-type: none"> <li>• Zajistěte dobré větrání kolem chladičícího agregátu</li> <li>• Uchovávejte předchlazené zboží</li> </ul>
4	Vypnutí kompresoru při přetížení	Odlehčete chladicí systém: <ul style="list-style-type: none"> <li>• Zajistěte dobré větrání kolem chladičícího agregátu</li> <li>• Uchovávejte předchlazené zboží</li> </ul>
5	Bezpečnostní vypnutí elektronického systému	Odlehčete chladicí systém: <ul style="list-style-type: none"> <li>• Zajistěte dobré větrání kolem chladičícího agregátu</li> </ul>

### Kompresor neběží

Porucha	Možná příčina	Náprava
$U_T = 0V$	Připojení mezi baterií a elektronikou je přerušené	Obnovte spojení
	Závada hlavního vypínače (pokud je instalován)	Vyměňte hlavní vypínač
	Spálení přídatné pojistky vodiče (pokud je instalována)	Vyměňte pojistku
$U_T \leq U_{ZAP}$	Napětí baterie je příliš nízké	Nabijte baterii

Porucha	Možná příčina	Náprava
Pokus o spuštění při hodnotě $U_T \leq U_{VYP}$	Uvolněné spojení kabelu Špatný kontakt (korozí)	Obnovte spojení
	Příliš nízká kapacita baterie	Vyměňte baterii
	Příliš malý průřez vodiče	Vyměňte kabel (obr. 18, strana 8)
Pokus o spuštění při hodnotě $U_T \geq U_{ZAP}$	Příliš vysoká okolní teplota	–
	Nedostatečná ventilace a/nebo chlazení	Zajistěte lepší přívod a odvod vzduchu chladicího agregátu
	Znečištěný kondenzátor	Vyčistěte kondenzátor
	Závada ventilátoru (pokud je jím zařízení vybaveno)	Vyměňte ventilátor

$U_T$  Napětí mezi kladnou a zápornou svorkou elektroniky

$U_{zap}$  Napětí k zapnutí elektroniky

$U_{vyp}$  Napětí k vypnutí elektroniky

### Teplota uvnitř přístroje je příliš nízká na nastavení 1

Porucha	Možná příčina	Náprava
Kompresor trvale pracuje	Čidlo termostatu není v kontaktu s výparníkem	Upevněte čidlo
	Vadný termostat	Vyměňte termostat
Kompresor běží dlouho	V mrazícím boxu je přílišná námraza	–

**Chladicí výkon klesne, vnitřní teplota stoupne**

Porucha	Možná příčina	Náprava
Kompresor běží dlouho/trvale	Námraza na výparníku	Odmrazte výparník
	Příliš vysoká okolní teplota	–
	Nedostatečná ventilace a/ nebo chlazení	Zajistěte lepší přívod a odvod vzduchu chladicího agregátu
	Znečištěný kondenzátor	Vyčistěte kondenzátor
	Závada ventilátoru (pokud je jím zařízení vybaveno)	Vyměňte ventilátor
Kompresor pracuje příležitostně	Vybitá baterie	Nabijte baterii

**Nezvyklé zvuky**

Porucha	Možná příčina	Náprava
Hlasité bručivé zvuky	Součást chladicího okruhu nemůže volně vibrovat (leží proti stěně)	Opatrně vyhněte součást
	Cizí těleso se zaseklo mezi chladicím agregátem a stěnou	Odstraňte cizí těleso
	Hluk ventilátoru (pokud je instalovaný)	Vyčistěte lopatky ventilátoru

**13 Technické údaje**

	50	54	55
Max. obsah chladicího prostoru:	80 litrů	130 litrů	
Napájecí napětí:	12 V $\equiv$ nebo 24 V $\equiv$		
Příkon:	35–40 W, závisí na typu výparníku		
Množství chladicího prostředku:	28 g	35 g	
Ekvivalent CO <sub>2</sub> :	0,040 t	0,050 t	
Potenciál skleníkových plynů (GWP):	1430		

	<b>50</b>	<b>54</b>	<b>55</b>
Rozměry (ŠxVxH) v mm:	315 x 140 x 170	386x155x130	220x160x220
Hmotnost:	3,74 kg	6,0 kg	6,5 kg

	<b>84</b>	<b>85</b>	<b>86</b>
Max. obsah chladicího prostoru:	250 litrů		
Napájecí napětí:	12 V <sup>===</sup> nebo 24 V <sup>===</sup>		
Množství chladicího prostředku:	45 g		
Ekvivalent CO <sub>2</sub> :	0,064 t		
Potenciál skleníkových plynů (GWP):	1430		
Rozměry (ŠxVxH) v mm:	386x155x130	220x155x220	220x230x177
Hmotnost:	6,0 kg	6,0 kg	6,5 kg

	<b>94</b>	<b>95</b>	<b>96</b>
Max. obsah chladicího prostoru:	400 litrů		
Napájecí napětí:	12 V <sup>===</sup> nebo 24 V <sup>===</sup>		
Množství chladicího prostředku:	60 g		
Ekvivalent CO <sub>2</sub> :	0,086 t		
Potenciál skleníkových plynů (GWP):	1430		
Rozměry (ŠxVxH) v mm:	386x155x130	220x155x220	220x230x177
Hmotnost:	6,0 kg	6,0 kg	6,5 kg

	<b>CS-NC15</b>
Max. obsah chladicího prostoru:	250 litrů
Napájecí napětí:	12 V <sup>===</sup> nebo 24 V <sup>===</sup>
Množství chladicího prostředku:	60 g

	<b>CS-NC15</b>
Ekvivalent CO <sub>2</sub> :	0,086 t
Potenciál skleníkových plynů (GWP):	1430
Rozměry (ŠxVxH) v mm:	360x255x275
Hmotnost:	8,5 kg

	<b>VD-01</b>	<b>VD-02</b>	<b>VD-03</b>	<b>VD-04</b>
Max. chladicí prostor – obsah při izolaci z PU 35 mm:	80 litrů	30 litrů	170 litrů	130 litrů
Max. chladicí prostor – obsah při izolaci z PU 50 mm:	100 litrů	50 litrů	200 litrů	170 litrů
Příkon:	35 W	35 W	50 W	45 W
Napětí	12 V <sup>---</sup> nebo 24 V <sup>---</sup>			
Množství chladicího prostředku:	17 g		20 g	30 g
Ekvivalent CO <sub>2</sub> :	0,024 t		0,029 t	0,043 t
Potenciál skleníkových plynů (GWP):	1430			
Rozměry (Š x V x H) v mm:	300x245x110	275x215x25	380x230x82	375x255x100
Hmotnost:	1,5 kg	1,0 kg	2,0 kg	1,5 kg

	<b>CU-50 + VD-01</b>	<b>CU-50 + VD-02</b>	<b>CU-50 + VD-07</b>
Max. chladicí prostor – obsah při izolaci z PU 35 mm:	50 litrů	30 litrů	60 litrů
Max. chladicí prostor – obsah při izolaci z PU 50 mm:	75 litrů	50 litrů	80 litrů
Příkon:	30 W		
Teplota:	okolní: 32 °C, vnitřní: 5 °C		



	<b>VD-05</b>	<b>VD-07</b>	<b>VD-08</b>	<b>VD-09</b>
Max. chladicí prostor – obsah při izolaci z PU 35 mm:	130 litrů	100 litrů	160 litrů	160 litrů
Max. chladicí prostor – obsah při izolaci z PU 50 mm:	170 litrů	130 litrů	180 litrů	180 litrů
Příkon:	45 W	35 W	60 W	60 W
Napětí	12 V <sup>===</sup> nebo 24 V <sup>===</sup>			
Množství chladicího prostředku:	30 g	45 g	15 g	65 g
Ekvivalent CO <sub>2</sub> :	0,043 t	0,064 t	0,021 t	0,093 t
Potenciál skleníkových plynů (GWP):	1430			
Rozměry (Š x V x H) v mm:	375x350x25	255x210x90	450x270x340	365x140x270
Hmotnost:	1,5 kg	1,5 kg	2,0 kg	2,0 kg

	<b>VD-14N</b>	<b>VD-15</b>	<b>VD-18</b>
Max. chladicí prostor – obsah při izolaci z PU 35 mm:	300 litrů	200 litrů	100 litrů
Max. chladicí prostor – obsah při izolaci z PU 50 mm:	400 litrů	250 litrů	150 litrů
Příkon:	80 W	60 W	45 W
Napětí	12 V <sup>===</sup> nebo 24 V <sup>===</sup>		
Množství chladicího prostředku:	15 g		
Ekvivalent CO <sub>2</sub> :	0,021 t		
Potenciál skleníkových plynů (GWP):	1430		
Rozměry (Š x V x H) v mm:	220x275x65	220x275x65	350x250x25
Hmotnost:	2,5 kg	1,5 kg	1,5 kg

	<b>VD-16</b>	<b>VD-21</b>
Max. chladicí prostor – obsah při izolaci z PU 60 mm:	130 litrů	250 litrů
Max. chladicí prostor – obsah při izolaci z PU 100 mm:	200 litrů	300 litrů
Příkon:	60 W	60 W
Napětí	12 V <sup>===</sup> nebo 24 V <sup>===</sup>	
Množství chladicího prostředku:	40 g	10 g
Ekvivalent CO <sub>2</sub> :	0,057 t	0,014 t
Potenciál skleníkových plynů (GWP):	1430	
Rozměry (Š x V x H) v mm:	330x260x130	1370x305x10
Hmotnost:	2,5 kg	4,0 kg

	<b>VD-16 pro řadu 80</b>	<b>VD-16 pro řadu 90</b>
Max. chladicí prostor – obsah při izolaci z PU 35 mm:	120 litrů	200 litrů
Max. chladicí prostor – obsah při izolaci z PU 50 mm:	200 litrů	250 litrů
Příkon:	65 W	80 W
Napětí	12 V <sup>===</sup> nebo 24 V <sup>===</sup>	
Množství chladicího prostředku:	40 g	
Ekvivalent CO <sub>2</sub> :	0,057 t	
Potenciál skleníkových plynů (GWP):	1430	
Rozměry (Š x V x H) v mm:	380x300x62	
Hmotnost:	5,0 kg	

**Zkouška/certifikáty:**

Chladicí okruh obsahuje R-134a.

Obsahuje fluorované skleníkové plyny

A termék mindenkor szakszerű telepítése, használata és karbantartása érdekében kérjük figyelmesen olvassa el az ebben a termék kézikönyvében található utasításokat, irányelveket és figyelmeztetéseket, valamint mindig tartsa be ezeket. Ezt az útmutatót a termék közelében KELL tartani.

A termék használatba vételével Ön kijelenti hogy figyelmesen elolvasta az összes utasítást, irányelvet és figyelmeztetést, valamint megértette és elfogadja az itt leírt szerződési feltételeket. Ön elfogadja, hogy kizárólag a rendeltetésének megfelelő célra és a jelen termék kézikönyvében leírt útmutatásoknak, irányelveknek és figyelmeztetéseknek, valamint a hatályos törvényeknek és szabályozásoknak megfelelően használja ezt a terméket. Az itt leírt utasítások és figyelmeztetések elolvasásának és betartásának elmulasztása saját és mások sérüléséhez, a termék vagy a közelben található más anyagi javak károsodásához vezethet. Ez a termék kézikönyv és a benne található utasítások, irányelvek és figyelmeztetések, valamint a kapcsolódó dokumentációk módosulhatnak és frissülhetnek. Naprakész termékinformációk érdekében kérjük látogasson el a következő honlapra: [dometic.com](http://dometic.com).

## Tartalom

1	Szimbólumok magyarázata	372
2	Biztonsági útmutatások	373
3	A csomag tartalma	375
4	Tartozékok	375
5	Rendeltetésszerű használat	375
6	Műszaki leírás	376
7	A hűtőegység beépítése	377
8	A hűtőegység használata	384
9	A hidegtároló használata	386
10	Szavatosság	387
11	Ártalmatlanítás	387
12	Hibaelhárítás	388
13	Műszaki adatok	390

## 1 Szimbólumok magyarázata



### **VESZÉLY!**

**Biztonsági megjegyzés** olyan veszélyes helyzetre vonatkozóan, amely halált vagy súlyos sérülést okoz, ha nem kerülik el.



### **FIGYELMEZTETÉS!**

**Biztonsági megjegyzés** olyan veszélyes helyzetre vonatkozóan, amely halált vagy súlyos sérülést okozhat, ha nem kerülik el.

**VIGYÁZAT!**

**Biztonsági megjegyzés** olyan veszélyes helyzetre vonatkozóan, amely könnyű vagy közepesen súlyos sérülést okozhat, ha nem kerülik el.

**FIGYELEM!**

Felhívás olyan helyzetre, amely dologi kárt okozhat, ha nem kerülik el.

**MEGJEGYZÉS**

A termék kezelésére vonatkozó kiegészítő információk.

## 2 Biztonsági útmutatások

### 2.1 Alapvető biztonság

**VESZÉLY!**

- **Halálos sérülések veszélye!**

**Hajókon történő használat esetén:** hálózati üzem esetén feltétlenül gondoskodjon arról, hogy a készülék hibaáram védőkapcsolón keresztül kapjon tápellátást!

**FIGYELMEZTETÉS!**

- Telepítési és javítási munkákat csak szakképzett technikusok végezhetnek a készüléken. A helytelen javítások jelentős veszélyeket okozhatnak.  
Ha a készülék javítást igényel, forduljon a vevőszolgálathoz.
- Ha a készüléken látható sérülések vannak, akkor a készüléket nem szabad üzembe helyezni.
- Semmilyen esetben ne nyissa ki a hűtőkört. Csak az olyan esetek képeznek kivételt, amikor a készüléket a visszaküldéshez le kell választania („Külső hőmérséklet-szabályozó felszerelése” fejj., 380. oldal).
- A készüléket száraz és fröccsenő víz ellen védett helyen állítsa fel.
- Ne helyezze a készüléket nyílt láng vagy más hőforrás (fűtés, közvetlen napsugárzás, gáztűzhely, stb.) közelébe.
- Ügyeljen arra, hogy a kompresszor kellő módon szellőzzön.
- **Az elektronikus berendezések nem játékszerek!**  
Úgy tárolja és használja a készüléket, hogy gyermekek ne férhessenek hozzá.

- Azok a személyek (beleértve a gyermekeket is), akik fizikai, érzékszervi vagy szellemi képességeik, illetve tapasztalatlanságuk vagy tudatlanságuk miatt a terméket nem tudják biztonságosan használni, ezt a terméket nem használhatják felelős személy felügyelete vagy utasítása nélkül.
- A készülék üzembe helyezése előtt ellenőrizze, hogy az üzemi feszültség és az akkumulátorfeszültség egyezik-e (lásd az adattáblán).
- Ha egy csatlakozókábel sérült, a veszélyek elkerülése érdekében ki kell cserélnie azt. A sérült csatlakozókábelt csak azonos fajtájú és specifikációjú csatlakozókábelre cserélje.
- Tilos a készülékben robbanékony anyagokat, például hajtógázt tartalmazó permetpalackokat tárolni.

## 2.2 Biztonság a készülék üzemeltetése során



### **VESZÉLY! Halálos sérülések veszélye!**

- Soha ne fogjon meg puszta kézzel csupaszc vezetékeket. Ez mindenképp a váltakozó áramú hálózatról történő üzemeltetés során érvényes.



### **FIGYELEM!**

- Az elpárologtató tisztításához soha ne használjon homok-, sav- vagy oldószertartalmú tisztítószert.
- Védje a készüléket az esőtől és a nedvességtől.
- Válassza le a hűtőkészüléket és más fogyasztókat az akkumulátorról, mielőtt gyorstöltő berendezést csatlakoztatna rá.



### **MEGJEGYZÉS**

- Válassza le a készüléket, ha hosszabb ideig nem használja.

## 2.3 Biztonság az akkumulátorok kezelésénél



### **VIGYÁZAT! Sérülésveszély!**

- Az akkumulátorok agresszív és maró savakat tartalmaznak. Kerülje az akkumulátorfolyadékkal történő bármilyen testi kontaktust. Az akkumulátorfolyadék bőrre kerülése esetén bő vízzel alaposan mossa le a szóban forgó testrészt.
- Ha a készüléket akkumulátorra csatlakoztatja, biztosítsa, hogy élelmiszerek ne kerüljenek érintkezésbe az akkumulátorsavval.

### 3 A csomag tartalma

Mennyiség	Leírás
1	Hűtőegység vagy elpárologtató
1	Kezelési útmutató

### 4 Tartozékok

Ha a hűtőegységet 230 V-os váltakozó áramú hálózatról szeretné üzemeltetni, akkor a következő egyenirányítók egyikét használja.

Tartozékként kapható (nincs mellékelve):

Leírás	Cikkszám
CoolPower EPS100 egyenirányító BD35F típusú (50/80/CS/CS sorozatú) kompresszorral rendelkező készülékekhez	9600000440
CoolPower MPS35 egyenirányító BD35F típusú (50/80/CS/CS sorozatú) kompresszorral rendelkező készülékekhez	9600000445
CoolPower MPS50 egyenirányító BD-50F típusú (90 sorozatú) kompresszorral rendelkező készülékekhez	9600000441

### 5 Rendeltetésszerű használat

A hűtőegység saját építésű hűtőszekrényhez vagy hűtőládához használható.

A hűtőegység élelmiszer hűtésére és fagyasztására alkalmas. A készülék hajókon való üzemeltetésre is alkalmas.

Ez a termék az itt leírt utasításoknak megfelelő rendeltetésszerű használatra alkalmas.

Ez a kézikönyv olyan információkat nyújt, amelyek a termék szakszerű telepítéséhez és/vagy üzemeltetéséhez szükségesek. A hibás telepítés és/vagy a szakszerűtlen üzemeltetés vagy karbantartás elégtelen teljesítményhez és potenciálisan meghibásodáshoz vezethet.

A gyártó nem vállal felelősséget a termék olyan károsodásáért, vagy sérülésekért, amelyek a következőkre vezethetők vissza:

- Hibás összeszerelés vagy csatlakoztatás, ideértve a túlfeszültséget is

- Helytelen karbantartás, vagy a gyártó által szállított eredeti cserealkatrészekről eltérő cserealkatrészek használata
- A termék kifejezett gyártói engedély nélküli módosítása
- Az útmutatóban leírt céloktól eltérő felhasználás

A Dometic fenntartja a termék megjelenésének és specifikációjának módosítására vonatkozó jogát.

## 6 Műszaki leírás

A hűtőegység 12 V-os vagy 24 V-os egyenáramú feszültségről történő üzemeltetésre alkalmas, így például kempingezéskor vagy hajókon is használható. Ezenkívül egyenirányítók használatával 230 V-os tápellátásra is csatlakoztatható (lásd: „Tartozékok” fejelet, 375. oldal).

Hajókon történő használat esetén a hűtőegység huzamosabb ideig 30°-os dőlésszöveget is elvisel.

A hűtőegységet elpárologtatóval együtt kell használni. Ezen túlmenően hidegtárolót is alkalmazhat TEC-vezérléssel vagy anélkül. A **CS-NC15** egy hűtőegységből és egy elpárologtatóból áll.

A kívánt hőmérséklet az elpárologtatón elhelyezett termosztáton keresztül fokozatmentesen beállítható.

A hidegtároló és a TEC programvezérlés nagy hűtőteljesítményt tesz lehetővé és javítja az egység hatásfokát. Ha elegendő áramellátás áll rendelkezésre, akkor a rendszer tölti a hidegtárolót (például hálózati adatterről történő töltés esetén). A hidegtároló használata vagy túl alacsony feszültség esetén a rendszer kivonja a hűtőközeget a hidegtárolóból, amíg az ki nem ürül. Ezalatt az akkumulátor nincs kitéve terhelésnek.

A TEC-programvezérlés gondoskodik arról, hogy

- hidegenergia tárolására kerül sor, ha fölösleges elektromos energia áll rendelkezésre (külső tápellátás áramgenerátoron, töltőkészüléken, hálózati adapteren stb. keresztül)
- A hidegtároló kapacitása mindenkor lehívható legyen, amivel a teljes akkumulátorenergia más fogyasztók számára rendelkezésre áll.
- Ha a hidegtároló kapacitása kimerült, a rendszer automatikusan visszanyeri a tárolt hidegenergiát, így fenntartja a hűtési terület belső hűtési hőmérsékletét.



**MEGJEGYZÉS**

A hidegtárolóra vonatkozó további információk itt találhatóak: „A hidegtároló használata” fej., 386. oldal.

## 6.1 Akkumulátorfelügyelő

A hűtőkészülék egy olyan elektronikus készülékkel van felszerelve, amely az akkumulátor csatlakoztatása esetén védelmet nyújt a pólusok felcserélésével szemben. Az akkumulátor védelme érdekében a hűtőkészülék automatikusan kikapcsol, ha a feszültség nem kielégítő (lásd a következő táblázatokat).

### TEC-vezérlés nélküli készülék

Csatlakozási feszültség	Kikapcsolási feszültség	Újrabekepcsolási feszültség
12 V	10,4 V	11,7 V
24 V	22,8 V	24,2 V

### TEC-vezérléssel rendelkező készülékek

Csatlakozási feszültség	Kikapcsolási feszültség	Újrabekepcsolási feszültség
12 V	10,7 V	13,0 V
24 V	22,0 V	26,0 V

## 7 A hűtőegység beépítése

**FIGYELMEZTETÉS!**

A beépítést csak szakképzett technikus végezheti el.

### 7.1 Szükséges szerszámok

A **beépítéshez és szereléshez** a következő szerszámok szükségesek:

- Fúrógép
- Csavarhúzó
- Villáskulcsok: 16 mm, 19 mm és 21 mm

- Tömítőmassza és szerelőhab
- Kábelek, kábelsaruk és kábelbilincsek
- Észter olaj

## 7.2 Megjegyzések a hűtőtartályhoz

### Engedélyezett hűtőtértartalmak

Ügyeljen arra, hogy az adott elpárolgató típusnál ne lépje túl a megadott maximális hűtési terület tartalmát (lásd: „Műszaki adatok” fejj., 390. oldal).

### Minimális szigetelés

A maximális hűtőtértartalom legalább 35 mm-es, 40 kg/m<sup>3</sup> sűrűségű habosított poliuretán szigetelésen alapul. Más szigetelőanyagok (például sztiropor) használata esetén a falvastagságokat az azonos hőszigetelés érdekében meg kell duplázni.

### Az elpárolgató szerelése

Az elpárolgatót be kell szerelni a hűtőtartályba (kivéve a **CS-NC15** modellnél, ahol az elpárolgató előre fel van szerelve).

A folyamat során biztosítsa a következőket:

- A beépítési helyzet megfelelő legyen (**3**. ábra, 4. oldal - **9**. ábra, 6. oldal)
- A hűtőtartályban lehetőleg minél magasabban legyen elhelyezve
- A faltól legalább 10 mm-re telepítse (**kivéve a VD-14N és a VD-15 modellek-nél**).



#### FIGYELEM!

Szelepcsatlakozók nélküli hűtőegységeknél (beszerelésre kész egységek): A szerelés során ne nyissa meg a hűtőkört. A faláttörést adott esetben olyan nagyra kell méreteznie, hogy az elpárolgatót áttolhassa rajta (**11**. ábra, 6. oldal). Az áttörést úgy is elkészítheti, hogy a hűtővezetékeket felülről építhesse be (**12**. ábra, 6. oldal).

### Az elpárolgató csatlakoztatása

- ▶ A **VD-14N és a VD-15** elpárolgatókat a következők szerint csatlakoztassa: **10**. ábra, 6. oldal.
- ▶ A **VD-16** elpárolgatót a következők szerint csatlakoztassa: **9**. ábra, 6. oldal.
- ▶ A többi elpárolgatót a következők szerint csatlakoztassa: **19**. ábra, 9. oldal.

## Jelmagyarázatok az ábrákhoz

<b>Számokat lásd: 8. ábra, 5. oldal</b>	<b>Magyarázat</b>
1	Egyenáramú ventilátor
2	Termosztátfej
3	Egyenáramú ventilátor csatlakozódugója
4	Termosztát
5	Csatlakozókábel

<b>Számokat lásd: 9. ábra, 6. oldal</b>	<b>Magyarázat</b>
1	Csatlakozókábel

<b>Számokat lásd: 10. ábra, 6. oldal</b>	<b>Magyarázat</b>
1	Csatlakozókábel

<b>Sz., itt: 19. ábra, 9. oldal és 20. ábra, 9. oldal</b>	<b>Magyarázat</b>
1	Csatlakozóblokk
2	Kompresszor
3	Ventilátor
4	Kapcsoló <b>19.</b> ábra vagy TEC vezérlés <b>20.</b> ábra



### FIGYELEM!

A szerelés megtörténtét követően a faláttöréseket gondosan szigetelje újra és tömítse nedvesség behatolása ellen.

## Szelepcsatlakozókkal rendelkező hűtőegységeknél

- ▶ A hűtővezetékek átvezetéséhez készítsen legalább 30 mm-es kivágást (**13.** ábra, 7. oldal). Ehhez koronafúró szerszámot használjon.

**FIGYELEM!**

Az elpárolgató és az egység közötti összekötő vezetéket soha ne törje meg. Hajlítási sugár: legalább 25 mm.

### 7.3 A hűtőegység beszerelése

Fontos, hogy megfelelő helyet válasszon az egység felállításához. A hűtőkészülék kifogástalan működésének biztosításához vegye figyelembe a következő pontokat:

- A hűtőegységet száraz, védett helyen állítsa fel. Kerülje a hőforrások, például radiátorok, gáztűzhelyek, melegvíz-vezetékek közelében való elhelyezést. Ne tegye ki közvetlen napfénynek.
- A hűtőegységet hajókon lehetőleg a vízvonal alá telepítse.
- A hűtőaggregát maximum 30° dőlésszögig működőképes. Sík felületre telepítse, így erős dőlés esetén is működőképes marad.
- A felmelegedett levegőnek akadálytalanul kell tudnia távozni (14. ábra, 7. oldal).
- A hűtőegység zárt térben (például ruhásszekrényben, kamrában vagy sütőládában) történő beépítése esetén a szellőzés be- és kimeneti nyílásainak legalább 200 cm<sup>2</sup> (25 cm x 8 cm) szabad keresztmetszetet kell biztosítani.
- Ügyeljen arra, hogy a kondenzátornál (14. ábra C, 7. oldal) a légáramot semmi ne korlátozza.
- Tartsa be a kondenzátor és a határoló fal közötti legkisebb távolságot (50 mm).
- **CS-NC15:** A szerelésnél vegye figyelembe a furatsablont (21. ábra, 11. oldal) és a beépítési rajzot (22. ábra, 12. oldal).

### 7.4 Külső hőmérséklet-szabályozó felszerelése

#### Mechanikus termosztát

A hőmérséklet-szabályozó a hűtőtartály belső vagy külső részén is elhelyezhető. A belső hőmérséklet szabályozása az elpárolgató felületi hőmérsékletének, vagy **a VD-14N és a VD-15 modellnél** a helyiség hőmérsékletének megfelelően történik.

- ▶ Az érzékelőkábel tekercselt végét a rögzítőlemez használatával csatlakoztassa az elpárolgatóhoz (15. ábra, 8. oldal, **kivéve a VD-14N, VD-15 modelleknél**). A **VD-14N, VD-15** modelleken ez előre fel van szerelve.
- ▶ Ügyeljen arra, hogy az érzékelőkábel az elpárolgatóval vagy a szívóvezetékekkel más helyeken ne kerüljön érintkezésbe.

## TEC-vezérlés

A TEC-szabályozót (vezérlést) a hűtőtartály külső részén kell elhelyezni. A belső hőmérséklet szabályozása az elpárolgató felületi hőmérsékletének függvényében történik.

A hőmérséklet-érzékelő az energiatárolón gyárilag van rögzítve.

- ▶ Kösse össze a hőmérséklet-érzékelőt a TEC-vezérléssel a dugócsatlakozón keresztül.

## Egyszer használatos csatlakozók felszerelése (CS-NC15 kivételével)



### FIGYELEM!

Az egyszer használatos csatlakozókat csak képzett és a hűtéstechnológia területén járatos szakemberek csatlakoztathatják. Tartsa be a hűtőközegek kezelésének általános szabályait!

Az egyszer használatos csatlakozókkal csak egyszer lehet csatlakoztatni a hűtőrendszert. A csatlakozók helytelen csatlakoztatása, vagy felnyitása a hűtőközeg teljes elvesztéséhez és a hűtőegység meghibásodásához vezet!

Ilyen esetekben szét kell szerelni a hűtőegység két korábban csatlakoztatott részét és be kell küldeni azt a gyárba, ahol kicserélik az egyszer használatos csatlakozókat és a terméket újra feltöltik hűtőközeggel.

A hűtőegység két komponense – ez elpárolgató és a kompresszor-kondenzátor egység – külön kerülnek kiszállításra. A komponensek összekapcsolása egyszer használatos csatlakozókkal történik. A két komponens már tartalmazza a teljes hűtőegység üzemeltetéséhez szükséges hűtőközeg mennyiségét. Ezért ezeket nem szükséges utólag feltölteni hűtőközeggel.

- ▶ Szerelje össze a kompresszor-kondenzátor egységet az elpárolgató egységgel.
- ▶ Távolítsa el a védőkupakokat és a dugókat a kompresszor-kondenzátor egység és az elpárolgató egység egyszer használatos csatlakozóinak nem csatlakozó feleiről.
- ▶ A szennyeződés vagy az idegen anyag rendszerbe való bejutásának megelőzése érdekében óvatosan tisztítsa meg a csatlakozó ülékét és a menetes felületet.



### FIGYELEM! Hűtőközeg szivárgásának kockázata

- Az egyszer használatos csatlakozók meghúzásához minden esetben két kulcsot használjon, így elkerülheti a csövek megtekeredését!
- Az egyszer használatos csatlakozókat tilos újrahasználni!
- Döntse el, hogy a két egyszer használatos csatlakozó közül melyikhez nehezebb hozzáférni a kulccsal és azt csatlakoztassa először.
- Minden esetben először csak egy egyszer használatos csatlakozót csatlakoztasson és utána a másodikat.



### MEGJEGYZÉS

Az O-gyűrű az egyszer használatos csatlakozók kezdeti csatlakoztatása során csak ideiglenes tömítést biztosít. Ez az O-gyűrű csak a membrán perforációja és a végső fém tömítés között csak ideiglenes tömítésként használható. A szivárgásmentes tömítés csak a két csatlakozófél közötti fém csatlakozással érhető el.

- Vigyen fel hűtőközeg olajat a belső és külső menetekre és a belső tuskékre (16. ábra, 8. oldal).
- Csatlakoztassa a két csatlakozófelet és először csak kézi erővel tekerje össze ezeket (17. ábra, 8. oldal). Ne alkalmazzon kulcsot!

### Hollandi anyával rendelkező egyszer használatos csatlakozó:

- Egy 21 mm-es és egy 19 mm-es kulccsal tekerje fel a hollandi anyával rendelkező csatlakozófelet a menet végéig, amíg érezhető ellenállást nem érez. Még ne húzza meg a csavarkötést.

A 19 mm-es kulcs a hollandi anya feltekerésekor vezetőként szolgál.

### Külső menetes egyszer használatos csatlakozó csatlakoztatása:

- Egy 21 mm-es és egy 16 mm-es kulccsal tekerje fel a hollandi anyával rendelkező csatlakozófelet a menet végéig, amíg érezhető ellenállást nem érez. Még ne húzza meg a csavarkötést.

A 16 mm-es kulcs a hollandi anya feltekerésekor ellentartásra szolgál.

- Egy ceruzával húzzon egy hosszanti vonalat a hollandi anyától az ellentétes csatlakozófél bilincsig.
- Ekkor 30 Nm nyomatékkal, vagy még 1/4 fordulattal határozottan húzza meg a hollandi anyát. A vonalak elmozdulása jelzi, hogy milyen erősen húzta meg az egyszer használatos csatlakozót.

Ez az utolsó elforgatás a csatlakozófelek közötti szivárgásmentes csatlakozás érdekében szükséges.

**MEGJEGYZÉS**

A hollandi anya kezdete és a külső menet hatlapú része közötti távolság nem haladhatja meg a 3 mm-t (17. ábra, 8. oldal).

- ▶ Végezzen szivárgásteresztet a csatlakozáson. Ezzel ellenőrizheti az egyszer használatos csatlakozók megfelelő illeszkedését és a tömítés működőképességét.

## 7.5 A hűtőegység csatlakoztatása

### Csatlakoztatás az akkumulátorra

A hűtőegység 12 V-os vagy 24 V-os egyenáramú feszültségellátással üzemeltethető.

**FIGYELEM!**

Feszültség- és teljesítményvesztések elkerülése érdekében a csatlakozókábelt lehetőleg röviden és megszakításmentesen kell kialakítani. Emiatt célszerű elkerülni kiegészítő kapcsolók, dugaszok vagy elosztóaljzatok használatát.

- ▶ A kábel szükséges keresztmetszetét a kábelhossz függvényében határozza meg a következő szerint: 18. ábra, 8. oldal.

Magyarázat ehhez: 18. ábra, 8. oldal

Koordinátatengely	Jelentés	Egység
l	Kábelhossz	m
∅	Kábelkeresztmetszet	mm <sup>2</sup>

**FIGYELEM!**

Ügyeljen a helyes polarításra.

- ▶ A készülék üzembe helyezése előtt ellenőrizze, hogy az üzemi feszültség és az akkumulátorfeszültség egyezik-e (lásd az adattáblát).
- ▶ A hűtőegységet csatlakoztassa
  - lehetőleg közvetlenül az akkumulátor pólusaira, vagy
  - olyan dugaljba, amely legalább 15 A-es (12 V esetén), illetve 7,5 A-es (24 V esetén) biztosítókkal biztosítva van.

**FIGYELEM!**

Mielőtt a gyorsfűtő készüléket az akkumulátorra csatlakoztatja, válassza le a hűtőkészüléket és más fogyasztókat a járműakkumulátorról. A túlfeszültség károsíthatja a készülék elektronikáját.

Biztonsági okokból a hűtőegység egy olyan elektronikus rendszerrel rendelkezik, amely megakadályozza a polaritás felcserélését. Ez megvédi a hűtőegységet, amikor csatlakoztatva van az akkumulátorra.

**Csatlakoztatás 230 V-os hálózatra****FIGYELMEZTETÉS!**

- Soha ne dolgozzon dugócsatlakozókkal és kapcsolókkal, ha nedves a keze vagy nedves helyen áll.
- Ha hűtőkészülékét egy hajó fedélzetén, 230 V-os szárazföldi csatlakoztatással üzemelteti, akkor telepítsen hibaáram védőkapcsolót a 230 V-os váltakozó áramú hálózat és a hűtőkészülék közé. Ilyen esetben kérje szakember tanácsát.

- Ha a hűtőegységet 230 V-os hálózatról szeretné üzemeltetni, használjon egyenirányítót:
- CoolPower EPS100 készülék BD 35F típusú (50/80/CS/CS sorozatú) kompresszorral rendelkező készülékekhez,
  - CoolPower MPS 35 készülék BD 35F típusú (50/80/CS/CS sorozatú) kompresszorral rendelkező készülékekhez,
  - CoolPower MPS 50 készülék BD 50F típusú (90 sorozatú) kompresszorral rendelkező készülékekhez.

**MEGJEGYZÉS**

A megnevezett egyenirányító kimeneti feszültsége 24 V. Kérjük, vegye ezt figyelembe, ha később további fogyasztókat csatlakoztat.

## 8 A hűtőegység használata

### 8.1 Energiatakarékosági tippek

- Olyan jól szellőző helyet válasszon a felállításához, amely védve van a közvetlen napsugárzástól.
- Hagyja kihűlni az ételeket, mielőtt azokat a készülékbe helyezné.
- Ne nyissa ki a hűtőkonténert a szükségesnél gyakrabban.



- Ne hagyja nyitva az ajtót a szükségesnél hosszabb ideig.
- Ha a hűtőkonténerben jégréteg alakult ki, olvassza le azt.
- Kerülje a szükségtelenül alacsony hőmérsékletet.
- Rendszeresen tisztítsa meg a kondenzátort a portól és szennyeződésektől.
- Rendszeresen tisztítsa meg a fedél szigetelését.

## 8.2 A hűtőegység üzembe helyezése

### TEC-vezérlés nélküli készülék

- ▶ A szabályozógombot jobbra fordítva kapcsolja be a hűtőegységet (1. ábra A1 vagy B1, 3. oldal).

A szabályozógombot tovább forgatva szabályozható a hőmérséklet. Az energiatároló funkcióval rendelkező készülékek ezen túlmenően egy tárolólehívó gombbal (1. ábra A2, 3. oldal) is rendelkeznek.



#### MEGJEGYZÉS

Ha a piros LED villog vagy világít, akkor hiba történt és a rendszer nem üzemkész (lásd a „A termoelelemnél lévő LED (1. ábra 2, 3. oldal)” fejelet, 388. oldal fejezetben található hibatáblázatban).

### TEC vezérléssel rendelkező készülékek

A TEC vezérléssel rendelkező készülékek a főkapcsolón (2. ábra 6, 3. oldal) keresztül vehetők üzembe. A hőmérséklet-választóval (2. ábra 5, 3. oldal) ezt követően a hőmérséklet szabályozható.

## 8.3 A hűtőegység üzemben kívül helyezése

Ha a hűtőkészüléket hosszabb időre üzemben kívül szeretné helyezni, a következő módon járjon el:

- ▶ **TEC-vezérlés nélküli készülékek:** Fordítsa a szabályozót 0 állásba.
- ▶ **TEC-vezérléssel rendelkező készülékek:** Kapcsolja ki a készüléket a főkapcsolóval (2. ábra 6, 3. oldal).
- ▶ Válassza le a tápkábelt az akkumulátorról, vagy húzza ki az egyenáramú vezeték csatlakozódugóját az egyenirányítóból.
- ▶ Tisztítsa meg a hűtőkészüléket.
- ▶ Hagyja az ajtót vagy a fedelet kissé nyitva. Ez megakadályozza a kellemetlen szagok képződését.

## 9 A hidegtároló használata

### 9.1 TEC programvezérléssel rendelkező készülékek megjelenítő- és kezelőelemei

#### Számokat

lásd:

**2.** ábra,  
**3.** oldal

#### Magyarázat

1	zöld LED: Azt jelzi, hogy a kompresszor üzemel.
2	Sárga LED: azt jelzi, hogy rendelkezésre áll külső áramellátás (a feszültség nagyobb mint 13,5 V vagy 27,0 V). Ha a külső áramellátás túl alacsony, akkor a LED villog (feszültség $\leq 10,7$ V vagy 21,7 V. „E” verzió: $\leq 10,7$ V vagy 22,0 V).
3	Piros LED: azt jelzi, hogy folyamatban van a hidegtároló lehívása mivel <ul style="list-style-type: none"> <li>• megnyomták a tároló lehívó gombot</li> <li>• Alacsony feszültség leállítás (feszültség <math>\leq 10,7</math> V vagy 21,4 V. „E” verzió: <math>\leq 10,7</math> V vagy 22,0 V).</li> </ul>
4	Hidegtároló lehívás gomb: megszakítja a kompresszor működését amíg <ul style="list-style-type: none"> <li>• a tárolt hidegenergia elhasználódik</li> <li>• a külső tápellátás feszültsége újból meghaladja az alacsony feszültség értékét.</li> </ul>
5	Hőmérséklet-választó: lehetővé teszi a hűtési terület hőmérsékletének igény szerinti beállítását Min. (bal oldali határérték) = legmelegebb beállítás Max. (jobb oldali határérték) = leghidegebb beállítás
6	Főkapcsoló: a hűtőkészülék be és kikapcsolására szolgál. 0 pozíció = KI – pozíció = BE

### 9.2 Hidegtároló-funkció

Ha rendelkezésre áll elektromos áram, például a hálózati adapter használatakor, akkor a hidegtároló funkció biztosítja a hidegenergia automatikus tárolását (maximum 8 óra).

A tárolt hideg lehívásának módja:

- automatikusan a kikapcsolási feszültség elérésénél (lásd a táblázatot itt: 377. oldal)

- vagy kézzel a tárolólehívó gomb megnyomásával (1. ábra A2 vagy 2. ábra 4, 3. oldal).

**MEGJEGYZÉS**

A hidegtároló kézzel csak akkor hívható le, ha előtte már teljesen fel lett töltve.

A hidegtároló automatikusan újból feltöltődik, ha

- a kapocsfeszültség túllépi az újrabekapcsolási feszültséget
- vagy a hidegtároló üres és Ön a szabályozógombbal ki és bekapcsolja a készüléket (2. ábra 6, 3. oldal, csak a VD-06 modellnél működik).

**FIGYELEM!**

Ha a hidegtárolót annak ellenére lehívja, hogy az külső tápellátáson van (például azért, hogy a kompresszor üzemi zaját elkerülje), akkor az egy-séget a főkapcsolón (1. ábra B1 vagy 2. ábra 6, 3. oldal) keresztül kapcsolja ki.

**MEGJEGYZÉS**

Kérjük ne feledje: Alacsony belső hőmérséklet = magasabb áramfogyasztás!

## 10 Szavatosság

A termékre a törvény szerinti szavatossági időszak érvényes. A termék meghibásodása esetén forduljon a gyártói lerakathoz (lásd [dometic.com/dealer](http://dometic.com/dealer)), illetve az illetékes szakkereskedőhöz.

A javításhoz, illetve a szavatossági adminisztrációhoz a következő dokumentumokat kell mellékelnie:

- a számla vásárlási dátummal rendelkező másolatát,
- a reklamáció okát vagy a hibát tartalmazó leírást.

## 11 Ártalmatlanítás

- ▶ A csomagolóanyagot lehetőleg a megfelelő újrahasznosítható hulladék közé tegye.



Ha a terméket véglegesen kivonja a forgalomból, kérjük, tájékozódjon a legközelebbi hulladékártalmatlanító központnál vagy a szakkereskedőjénél az idevonatkozó ártalmatlanítási előírásokkal kapcsolatban.

## 12 Hibaelhárítás

### A termoelemnél lévő LED (1. ábra 2, 3. oldal)

Felvillanások száma	Hibatípus	Megoldás
1	Akkumulátorvédelem miatti lekapcsolás	Ellenőrizze az akkumulátor feszültségét, a biztosítékot és a kábelkeresztmetszetet
2	Ventilátor-túláram miatti lekapcsolás	Ellenőrizze a kondenzátor és elpárolgató ventilátor áramerősségét: teljes célérték < 0,5 A
3	Sűrítőindítási hiba	Tehermentesítse a hűtőrendszert: <ul style="list-style-type: none"> <li>• Biztosítsa a megfelelő szellőzést a hűtőegység körül</li> <li>• Előhűtött árukat tároljon</li> </ul>
4	Sűrítő-túlterhelés miatti lekapcsolás	Tehermentesítse a hűtőrendszert: <ul style="list-style-type: none"> <li>• Biztosítsa a megfelelő szellőzést a hűtőegység körül</li> <li>• Előhűtött árukat tároljon</li> </ul>
5	Elektronikavédelem miatti lekapcsolás	Tehermentesítse a hűtőrendszert: <ul style="list-style-type: none"> <li>• Biztosítsa a megfelelő szellőzést a hűtőegység körül</li> </ul>

### A kompresszor nem működik

Hiba	Lehetséges ok	Megoldás
$U_T = 0V$	Megszakadt a kapcsolat az akkumulátor és az elektronika között	Állítsa helyre a csatlakozást
	A főkapcsoló (ha van) meghibásodott	Cserélje ki a főkapcsolót
	A kiegészítő vezeték biztosíték (ha van) kiegészítve	Cserélje ki a biztosítékot
$U_T \leq U_{BE}$	Az akkumulátorfeszültség túl alacsony	Töltse fel az akkumulátort

Hiba	Lehetséges ok	Megoldás
Indítási kísérlet: $U_T \leq U_{OFF}$	Laza kábelcsatlakozás Rossz érintkezés (korrózió)	Állítsa helyre a csatlakozást
	Az akkumulátorkapacitás túl alacsony	Cserélje ki az akkumulátort
	A kábelkeresztmetszet túl kicsi	Cserélje ki a kábelt <b>(18)</b> . ábra, 8. oldal)
Indítási kísérlet: $U_T \geq U_{ON}$	A környezeti hőmérséklet túl magas	–
	Élégtelen szellőzés és/vagy hűtés	Biztosítson jobb szellőzést a hűtőkészülék számára
	A kondenzátor elszennyeződött	Tisztítsa meg a kondenzátort
	A ventilátor (ha van) meghibásodott	Cserélje ki a ventilátort

$U_T$  Az elektronika pozitív és negatív kapcsa közötti feszültség

$U_{ON}$  Az elektronika bekapcsolási feszültsége

$U_{OFF}$  Az elektronika kikapcsolási feszültsége

### A belső hőmérséklet túl alacsony a szabályozó „1” beállításánál

Hiba	Lehetséges ok	Megoldás
A kompresszor folyamatosan működik	A termosztát érzékelő nem érintkezik az elpárologtatónál	Rögzítse az érzékelőt
	Hibás a termosztát	Cserélje ki a termosztátot
A kompresszor hosszan működik	A fagyasztórekeszben nagyobb mennyiség lett lefagyasztva	–

**Csökken a hűtési teljesítmény, megnő a belső hőmérséklet**

Hiba	Lehetséges ok	Megoldás
A kompresszor hosszan / folyamatosan működik	Az elpárologtató eljegesedett	Olvassza le az elpárologtatót
	A környezeti hőmérséklet túl magas	–
	Elégtelen szellőzés és/vagy hűtés	Biztosítson jobb szellőzést a hűtőegység számára
	A kondenzátor elszennyeződött	Tisztítsa meg a kondenzátort
A ventilátor (ha van) meghibásodott	A ventilátor (ha van) meghibásodott	Cserélje ki a ventilátort
	A kompresszor rendszertelenül működik	Az akkumulátorkapacitás kimerült

**Szokatlan zajok**

Hiba	Lehetséges ok	Megoldás
Hangos morgás	A hűtőkör alkatrésze nem tud szabadon rezegni (nefekszik a falnak)	Óvatosan hajlítsa el az alkatrészt az akadálytól
	Idegen tárgy szorult a hűtőkészülék és a fal közé	Távolítsa el az idegen tárgyat
	A ventilátor (ha van) hangosan működik	Tisztítsa meg a ventilátorlapátokat

**13 Műszaki adatok**

	50	54	55
Max. hűtési terület űrtartalom:	80 liter	130 liter	
Csatlakozási feszültség:	12 V <sup>===</sup> vagy 24 V <sup>===</sup>		
Teljesítményfelvétel:	35–40 W, az elpárologtató típusától függően		
Hűtőközeg mennyisége:	28 g	35 g	
CO <sub>2</sub> -egyenérték:	0,040 t	0,050 t	
Üvegház-potenciál (GWP):	1430		

	<b>50</b>	<b>54</b>	<b>55</b>
Méretek (szélesség x magasság x mélység) mm-ben:	315 x 140 x 170	386x155x130	220x160x220
Súly:	3,74 kg	6,0 kg	6,5 kg

	<b>84</b>	<b>85</b>	<b>86</b>
Max. hűtési terület úrtartalom:	250 liter		
Csatlakozási feszültség:	12 V $\overline{=}$ vagy 24 V $\overline{=}$		
Hűtőközeg mennyisége:	45 g		
CO <sub>2</sub> -egyenérték:	0,064 t		
Üvegház-potenciál (GWP):	1430		
Méretek (szélesség x magasság x mélység) mm-ben:	386x155x130	220x155x220	220x230x177
Súly:	6,0 kg	6,0 kg	6,5 kg

	<b>94</b>	<b>95</b>	<b>96</b>
Max. hűtési terület úrtartalom:	400 liter		
Csatlakozási feszültség:	12 V $\overline{=}$ vagy 24 V $\overline{=}$		
Hűtőközeg mennyisége:	60 g		
CO <sub>2</sub> -egyenérték:	0,086 t		
Üvegház-potenciál (GWP):	1430		
Méretek (szélesség x magasság x mélység) mm-ben:	386x155x130	220x155x220	220x230x177
Súly:	6,0 kg	6,0 kg	6,5 kg

	<b>CS-NC15</b>
Max. hűtési terület úrtartalom:	250 liter
Csatlakozási feszültség:	12 V <sup>===</sup> vagy 24 V <sup>===</sup>
Hűtőközeg mennyisége:	60 g
CO <sub>2</sub> -egyenérték:	0,086 t
Üvegház-potenciál (GWP):	1430
Méretetek (szélesség x magasság x mélység) mm-ben:	360x255x275
Súly:	8,5 kg

	<b>VD-01</b>	<b>VD-02</b>	<b>VD-03</b>	<b>VD-04</b>
Max. hűtési terület úrtartalom 35 mm PU szigetelés esetén:	80 liter	30 liter	170 liter	130 liter
Max. hűtési terület úrtartalom 50 mm PU szigetelés esetén:	100 liter	50 liter	200 liter	170 liter
Teljesítményfelvétel:	35 W	35 W	50 W	45 W
Feszültség	12 V <sup>===</sup> vagy 24 V <sup>===</sup>			
Hűtőközeg mennyisége:	17 g		20 g	30 g
CO <sub>2</sub> -egyenérték:	0,024 t		0,029 t	0,043 t
Üvegház-potenciál (GWP):	1430			
Méretetek (szélesség x magasság x mélység) mm-ben:	300x245x110	275x215x25	380x230x82	375x255x100
Súly:	1,5 kg	1,0 kg	2,0 kg	1,5 kg



	<b>CU-50 + VD-01</b>	<b>CU-50 + VD-02</b>	<b>CU-50 + VD-07</b>
Max. hűtési terület úrtartalom 35 mm PU szigetelés esetén:	50 liter	30 liter	60 liter
Max. hűtési terület úrtartalom 50 mm PU szigetelés esetén:	75 liter	50 liter	80 liter
Teljesítményfelvétel:	30 W		
Hőmérséklet:	környezeti: 32 °C, belső: 5 °C		

	<b>VD-05</b>	<b>VD-07</b>	<b>VD-08</b>	<b>VD-09</b>
Max. hűtési terület úrtartalom 35 mm PU szigetelés esetén:	130 liter	100 liter	160 liter	160 liter
Max. hűtési terület úrtartalom 50 mm PU szigetelés esetén:	170 liter	130 liter	180 liter	180 liter
Teljesítményfelvétel:	45 W	35 W	60 W	60 W
Feszültség	12 V <sup>===</sup> vagy 24 V <sup>===</sup>			
Hűtőközeg mennyi- sége:	30 g	45 g	15 g	65 g
CO <sub>2</sub> -egyenérték:	0,043 t	0,064 t	0,021 t	0,093 t
Üvegház-potenciál (GWP):	1430			
Méreték (szélesség x magasság x mélység) mm-ben:	375x350x25	255x210x90	450x270x340	365x140x270
Súly:	1,5 kg	1,5 kg	2,0 kg	2,0 kg

	<b>VD-14N</b>	<b>VD-15</b>	<b>VD-18</b>
Max. hűtési terület úrtartalom 35 mm PU szigetelés esetén:	300 liter	200 liter	100 liter
Max. hűtési terület úrtartalom 50 mm PU szigetelés esetén:	400 liter	250 liter	150 liter
Teljesítményfelvétel:	80 W	60 W	45 W
Feszültség	12 V <sup>===</sup> vagy 24 V <sup>===</sup>		

	<b>VD-14N</b>	<b>VD-15</b>	<b>VD-18</b>
Hűtőközeg mennyisége:	15 g		
CO <sub>2</sub> -egyenérték:	0,021 t		
Üvegház-potenciál (GWP):	1430		
Méreték (szélesség x magasság x mélység) mm-ben:	220x275x65	220x275x65	350x250x25
Súly:	2,5 kg	1,5 kg	1,5 kg

	<b>VD-16</b>	<b>VD-21</b>
Max. hűtési terület úrtartalom 60 mm PU szigetelés esetén:	130 liter	250 liter
Max. hűtési terület úrtartalom 100 mm PU szigetelés esetén:	200 liter	300 liter
Teljesítményfelvétel:	60 W	60 W
Feszültség	12 V <sup>===</sup> vagy 24 V <sup>===</sup>	
Hűtőközeg mennyisége:	40 g	10 g
CO <sub>2</sub> -egyenérték:	0,057 t	0,014 t
Üvegház-potenciál (GWP):	1430	
Méreték (szélesség x magasság x mélység) mm-ben:	330x260x130	1370x305x10
Súly:	2,5 kg	4,0 kg

	<b>VD-16 - 80-as sorozat</b>	<b>VD-16 - 90-es sorozat</b>
Max. hűtési terület úrtartalom 35 mm PU szigetelés esetén:	120 liter	200 liter
Max. hűtési terület úrtartalom 50 mm PU szigetelés esetén:	200 liter	250 liter
Teljesítményfelvétel:	65 W	80 W
Feszültség	12 V <sup>===</sup> vagy 24 V <sup>===</sup>	

	<b>VD-16 - 80-as sorozat</b>	<b>VD-16 - 90-es sorozat</b>
Hűtőközeg mennyisége:	40 g	
CO <sub>2</sub> -egyenérték:	0,057 t	
Üvegház-potenciál (GWP):	1430	
Méretek (szélesség x magasság x mélység) mm-ben:	380x300x62	
Súly:	5,0 kg	

### **Vizsgálat / tanúsítványok:**



A hűtőkör R-134a hűtőközeget tartalmaz.

Fluorozott üvegházgázokat tartalmaz

**dometic.com**

---

**YOUR LOCAL  
DEALER**

**[dometic.com/dealer](https://dometic.com/dealer)**

**YOUR LOCAL  
SUPPORT**

**[dometic.com/contact](https://dometic.com/contact)**

**YOUR LOCAL  
SALES OFFICE**

**[dometic.com/sales-offices](https://dometic.com/sales-offices)**

---