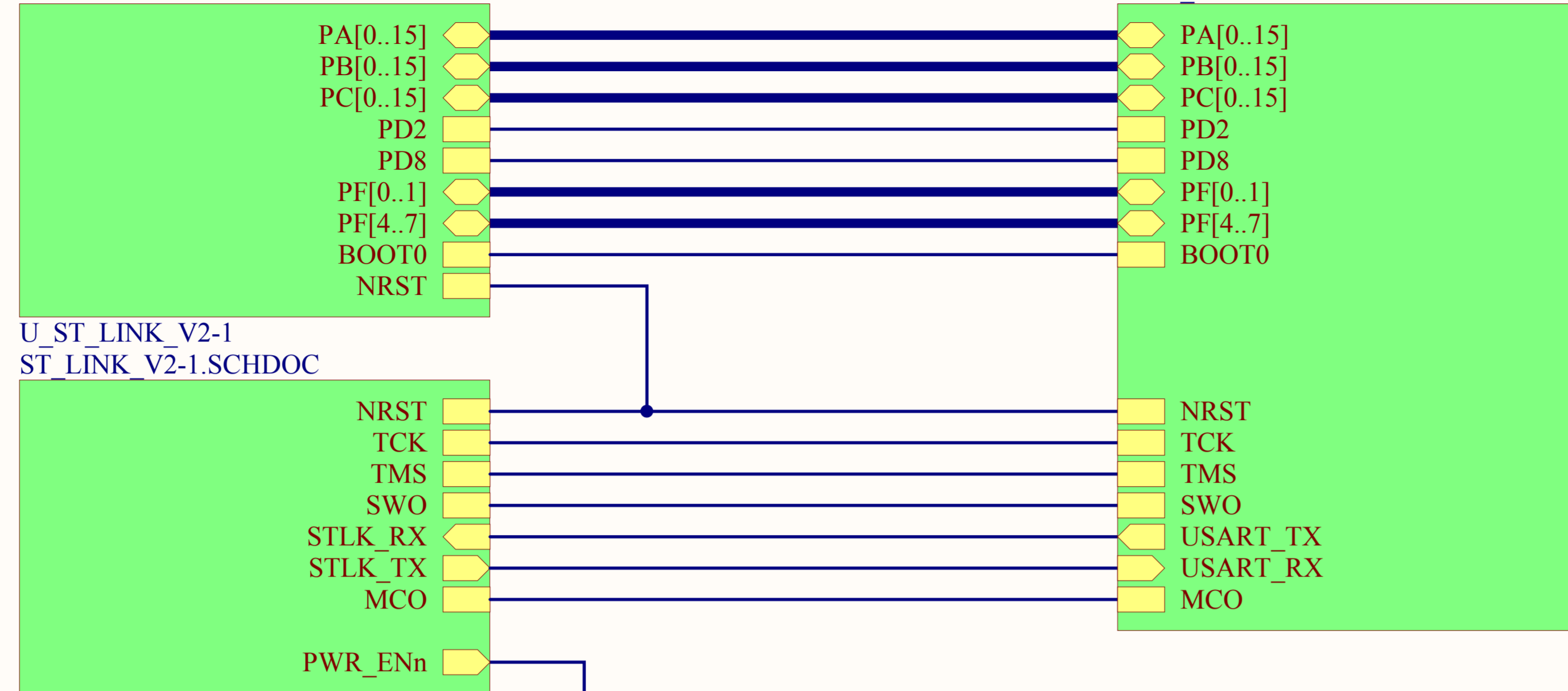
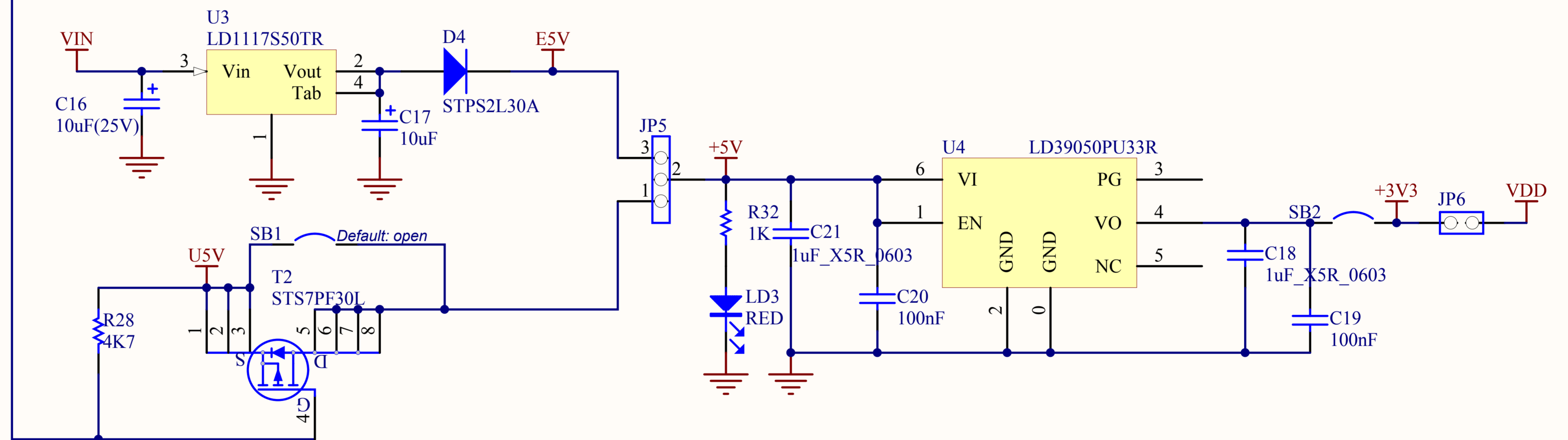
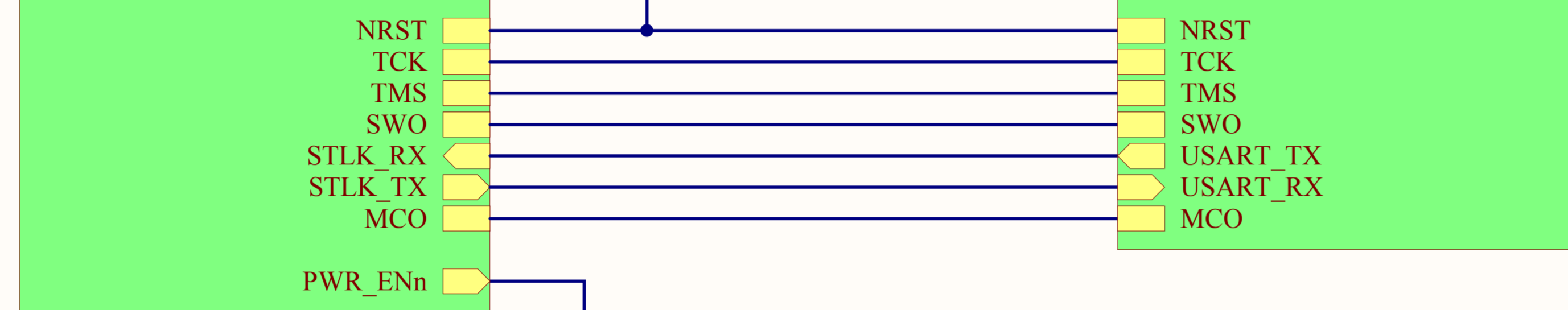


U_Connectors
Connectors.SchDoc

U_MCU_64
MCU_64.SchDoc



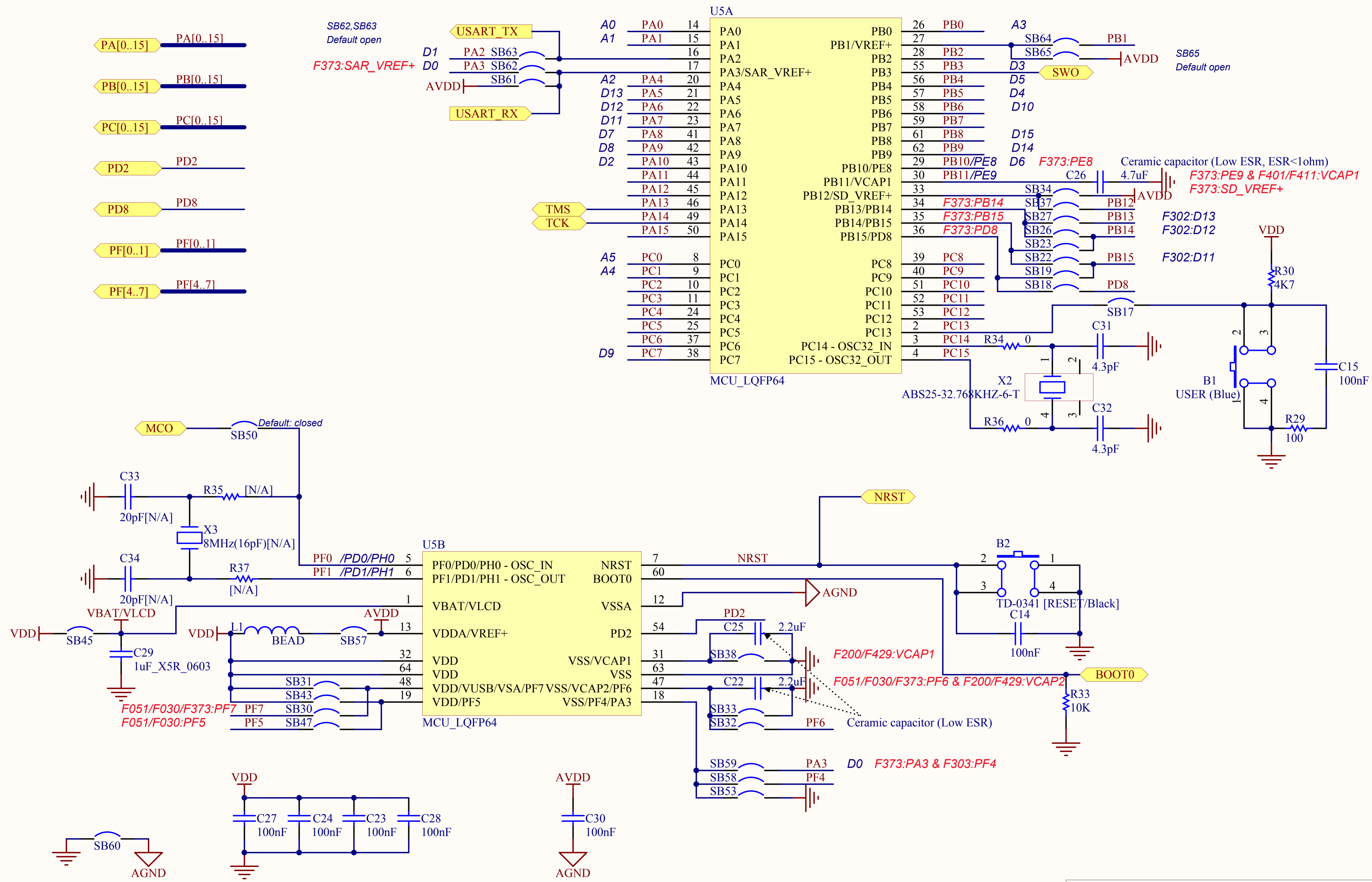
U_ST_LINK_V2-1
ST_LINK_V2-1.SCHDOC

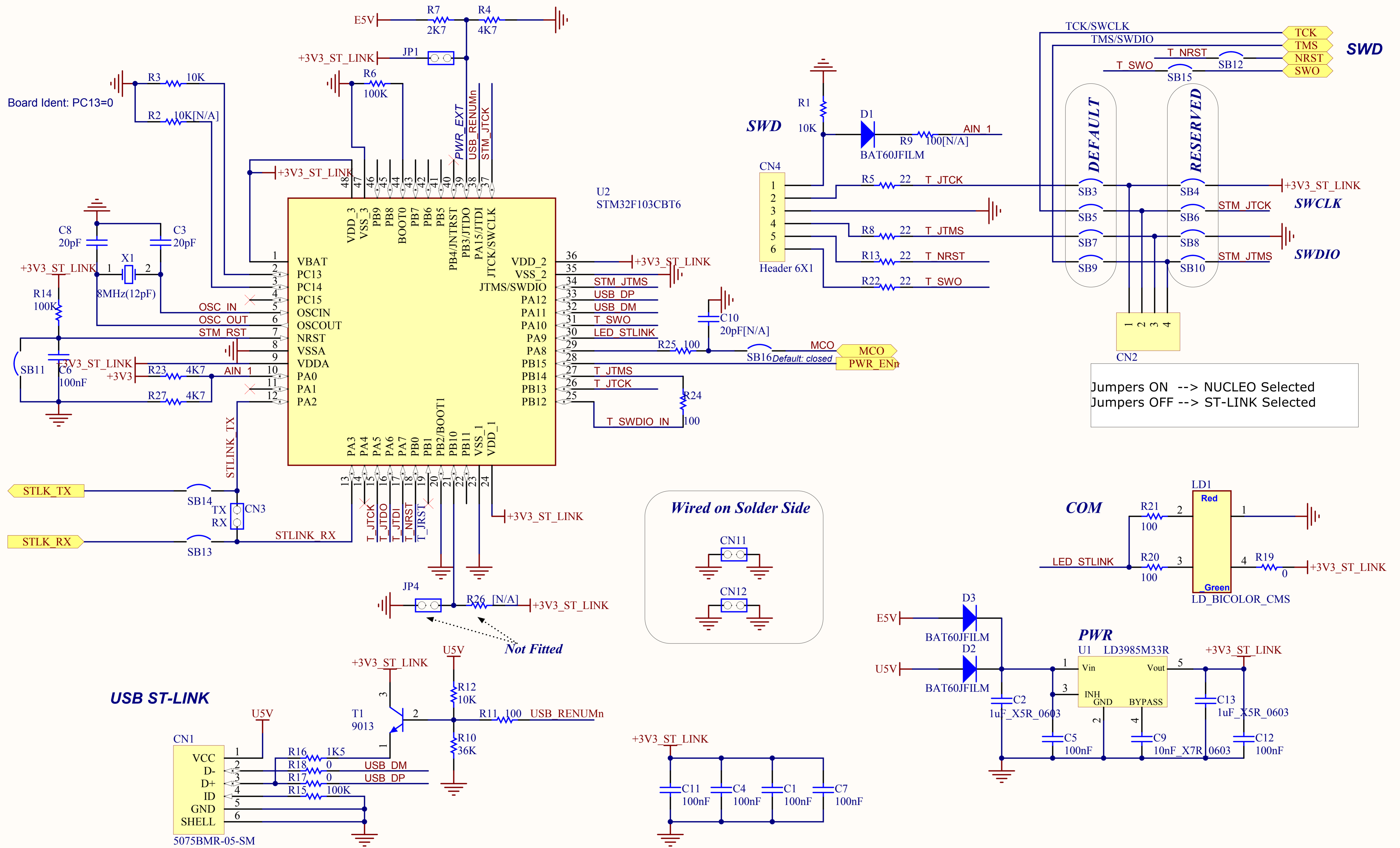


Note1: Text in italic placed on a wire doesn't correspond to net name. It just helps to identify rapidly Arduino's signal related to this wire.
 Note2: Remove [N/A] on R34, R36, C31, C32, X2 from C.1 to C.2
 Note3: Add " default open" on SB48, SB49, SB55 from C.1 to C.2
 Note4: Replace " default open" by " default closed" on SB16 & SB50 from C.1 to C.2
 Note5: C31&C32 value changed from 10pF to 4.3pF to fit with new 32K crystal ABS25-32.768KHZ-6-T

Title: TOP & POWER		
Project: NUCLEO-XXXXRX		
Size: A4	Reference: MB1136	Revision: C.3
Date: 9/26/2014	Sheet: 1 of 4	







Extension connectors

- PA[0..15] PA[0..15]
- PB[0..15] PB[0..15]
- PC[0..15] PC[0..15]
- PD2 PD2
- PD8 PD8
- PF[0..1] PF[0..1]
- PF[4..7] PF[4..7]
- NRST NRST
- BOOT0 BOOT0

