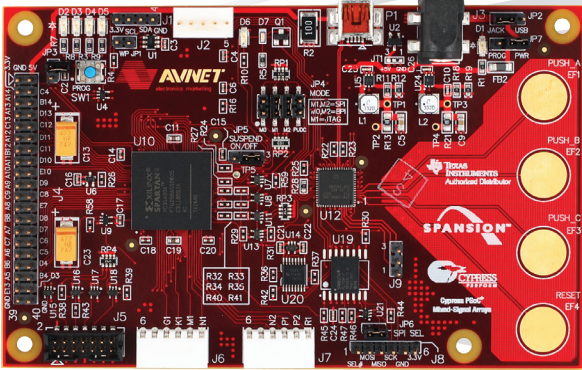


Avnet Product Brief

Xilinx® Spartan®-3A Evaluation Kit



DESIGNED BY AVNET

Features

- >> FPGA
 - >> Xilinx Spartan-3A XC3S400A-4FTG256C FPGA
- >> I/O Peripherals
 - >> Four LEDs
 - >> Four CapSense™ switches
 - >> TI I²C temperature sensor
- >> Board I/O Connectors
 - >> Two 6-pin expansion headers
 - >> 20 x 2, 0.1-inch user I/O header
- >> Memory
 - >> 32 Mb Spansion® MirrorBit® NOR GL Parallel Flash
 - >> 128 Mb Spansion MirrorBit SPI FL Serial Flash
- >> Communication
 - >> USB-UART bridge
 - >> I²C port
- >> Configuration
 - >> SPI and BPI
 - >> Xilinx JTAG interface
 - >> FPGA configuration via PSoC®

The Spartan-3A board uses the 400,000 gate 3S400A FPGA from Xilinx. With over 8,000 logic cells available, this FPGA is ideal for exploring general logic designs as well as DSP and MicroBlaze based embedded processing applications. Besides the FPGA, the board also includes a Cypress PSoC Mixed Signal Array which functions as a “companion chip” to the Spartan-3A. The PSoC device is pre-configured to enable direct programming of the FPGA, SPI Flash memory, and parallel Flash memory through a Windows-based programming application. Spansion SPI and parallel Flash memories are included for FPGA configuration storage, code storage and data file storage. The board’s cost optimized power supply from Texas Instruments allows for powering from either a USB port or a 5 V AC/DC wall adapter. Other general purpose peripherals like switches, LEDs, user I/O, and clocks round out the board functions.

Kit Includes

- >> Evaluation board
- >> ISE® WebPACK™ 10.1 DVD
- >> USB cable
- >> Windows® programming application
- >> Cypress® MiniProg Programming Unit
- >> Downloadable documentation and reference designs

To purchase this kit, visit www.em.avnet.com/spartan3a-evl

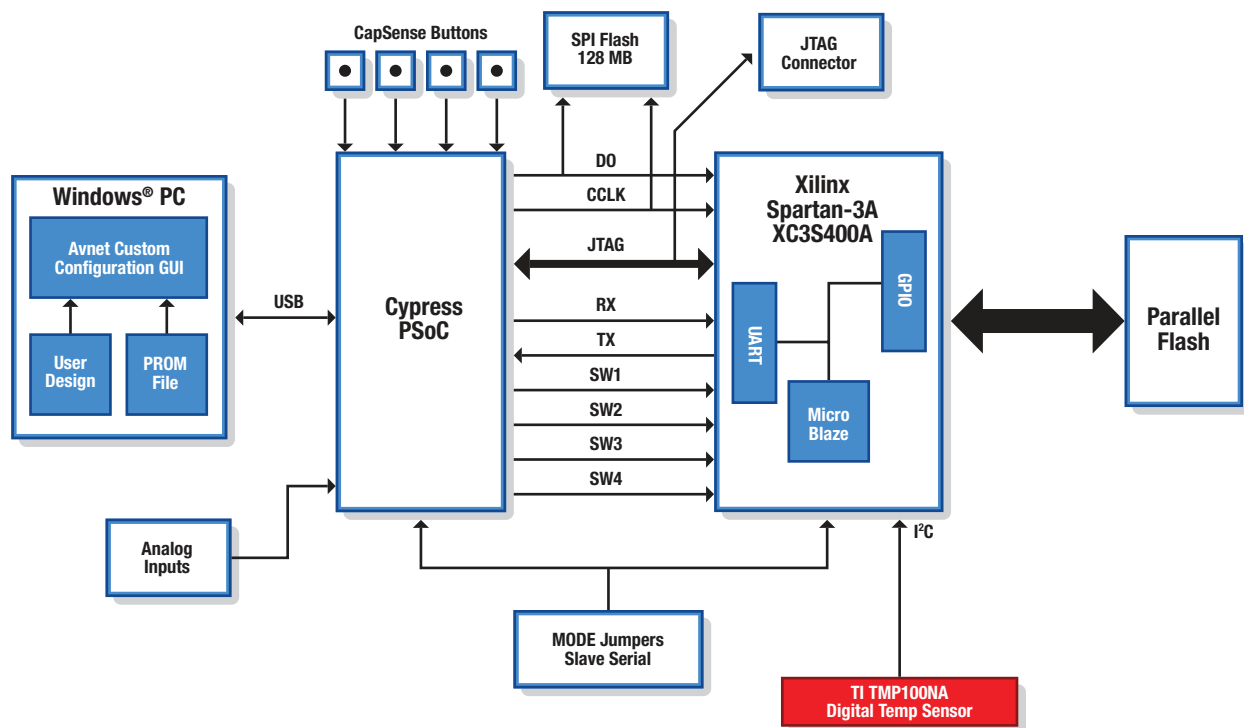
Target Applications

- >> General FPGA prototyping
- >> MicroBlaze™ systems
- >> Configuration development
- >> USB powered controller
- >> Cypress® PSoC evaluation



Accelerating Your Success™

Xilinx® Spartan®-3A Evaluation Kit



Featured Manufacturers



Ordering

Part Number	Hardware	Resale
AES-SP3A-EVAL400-G	Xilinx Spartan-3A Evaluation Kit	\$49 USD
EF-ISE-LOG-NL	ISE® Design Suite 11: Logic Edition, Node-Locked License	\$2,995 USD
EF-ISE-LOG-FL	ISE® Design Suite 11: Logic Edition, Floating License	\$3,595 USD
HW-USB-II-G	Xilinx Platform Cable USB II	\$225 USD

To purchase this kit, visit www.em.avnet.com/spartan3a-evl

Contact Information

North America

2211 South 47th Street
Phoenix, Arizona 85034
United States of America
eval.kits@avnet.com
+1-800-585-1602

Europe

Gruber Str. 60c
85586 Poing
Germany
marketing@silica.com
+49-8121-77702

Japan

Sphere Tower Tennozu 11F
2-2-8, Higashi-Shinagawa
Shinagawa-ku, Tokyo
eval-kits-jp@avnet.com
+81-3-6894-3700

Asia

151 Lorong Chuan,
#06-03 New Tech Park
Singapore 556741
asean@avnet.com
+65-6580-6000

