

AV RECEIVER RX-V667/HTR-6063/ RX-A700 SERVICE MANUAL

RX-V667/HTR-6063/
RX-A700

IMPORTANT NOTICE

This manual has been provided for the use of authorized YAMAHA Retailers and their service personnel.

It has been assumed that basic service procedures inherent to the industry, and more specifically YAMAHA Products, are already known and understood by the users, and have therefore not been restated.

WARNING: Failure to follow appropriate service and safety procedures when servicing this product may result in personal injury, destruction of expensive components, and failure of the product to perform as specified. For these reasons, we advise all YAMAHA product owners that any service required should be performed by an authorized YAMAHA Retailer or the appointed service representative.

IMPORTANT: The presentation or sale of this manual to any individual or firm does not constitute authorization, certification or recognition of any applicable technical capabilities, or establish a principle-agent relationship of any form.

The data provided is believed to be accurate and applicable to the unit(s) indicated on the cover. The research, engineering, and service departments of YAMAHA are continually striving to improve YAMAHA products. Modifications are, therefore, inevitable and specifications are subject to change without notice or obligation to retrofit. Should any discrepancy appear to exist, please contact the distributor's Service Division.

WARNING: Static discharges can destroy expensive components. Discharge any static electricity your body may have accumulated by grounding yourself to the ground buss in the unit (heavy gauge black wires connect to this buss).

IMPORTANT: Turn the unit OFF during disassembly and part replacement. Recheck all work before you apply power to the unit.

■ CONTENTS

TO SERVICE PERSONNEL	2	DISPLAY DATA	57-58
FRONT PANELS	3-4	IC DATA	59-75
REAR PANELS	5-8	PIN CONNECTION DIAGRAMS	76-78
REMOTE CONTROL PANELS	9	BLOCK DIAGRAMS	79-83
SPECIFICATIONS	10-14	PRINTED CIRCUIT BOARDS	84-105
INTERNAL VIEW	15	SCHEMATIC DIAGRAMS	107-120
SERVICE PRECAUTIONS	15	REPLACEMENT PARTS LIST	121-135
DISASSEMBLY PROCEDURES	16-18	REMOTE CONTROL	136-138
UPDATING FIRMWARE	19-21	ADVANCED SETUP	139-144
SELF-DIAGNOSTIC FUNCTION	22-55		
CONFIRMATION OF IDLING CURRENT OF AMP UNIT	56		



このサービスマニュアルは、エコマーク認定の再生紙を使用しています。
This Service Manual uses recycled paper.

101172

Copyright © 2010 YAMAHA CORPORATION All rights reserved.
This manual is copyrighted by YAMAHA and may not be copied or
redistributed either in print or electronically without permission.



YAMAHA CORPORATION
P.O.Box 1, Hamamatsu, Japan

'10.06

■ TO SERVICE PERSONNEL

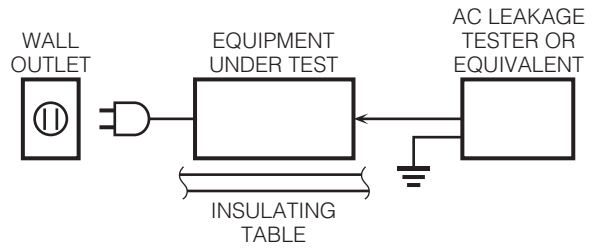
1. Critical Components Information

Components having special characteristics are marked Δ and must be replaced with parts having specifications equal to those originally installed.

2. Leakage Current Measurement (For 120V Models Only)

When service has been completed, it is imperative to verify that all exposed conductive surfaces are properly insulated from supply circuits.

- Meter impedance should be equivalent to 1500 ohms shunted by 0.15 μ F.



- Leakage current must not exceed 0.5mA.
- Be sure to test for leakage with the AC plug in both polarities.



For U model "CAUTION"

"F3701: FOR CONTINUED PROTECTION AGAINST RISK OF FIRE, REPLACE ONLY WITH SAME TYPE 8A, 125V FUSE."

For C model CAUTION

F3701: REPLACE WITH SAME TYPE 8A, 125V FUSE.

ATTENTION

F3701: UTILISER UN FUSIBLE DE RECHANGE DE MÊME TYPE DE 8A, 125V.

WARNING: CHEMICAL CONTENT NOTICE!

This product contains chemicals known to the State of California to cause cancer, or birth defects or other reproductive harm.

DO NOT PLACE SOLDER, ELECTRICAL/ELECTRONIC OR PLASTIC COMPONENTS IN YOUR MOUTH FOR ANY REASON WHATSOEVER!

Avoid prolonged, unprotected contact between solder and your skin! When soldering, do not inhale solder fumes or expose eyes to solder/flux vapor!

If you come in contact with solder or components located inside the enclosure of this product, wash your hands before handling food.

About lead free solder

All of the P.C.B.s installed in this unit and solder joints are soldered using the lead free solder.

Among some types of lead free solder currently available, it is recommended to use one of the following types for the repair work.

- Sn + Ag + Cu (tin + silver + copper)
- Sn + Cu (tin + copper)
- Sn + Zn + Bi (tin + zinc + bismuth)

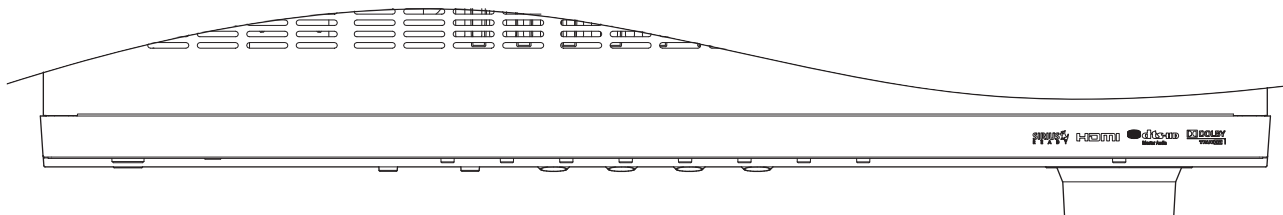
Caution:

As the melting point temperature of the lead free solder is about 30°C to 40°C (50°F to 70°F) higher than that of the lead solder, be sure to use a soldering iron suitable to each solder.

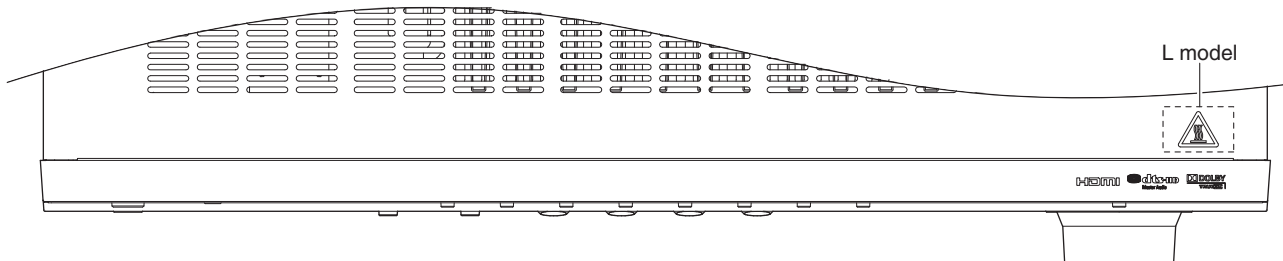
FRONT PANELS

Top view

U model

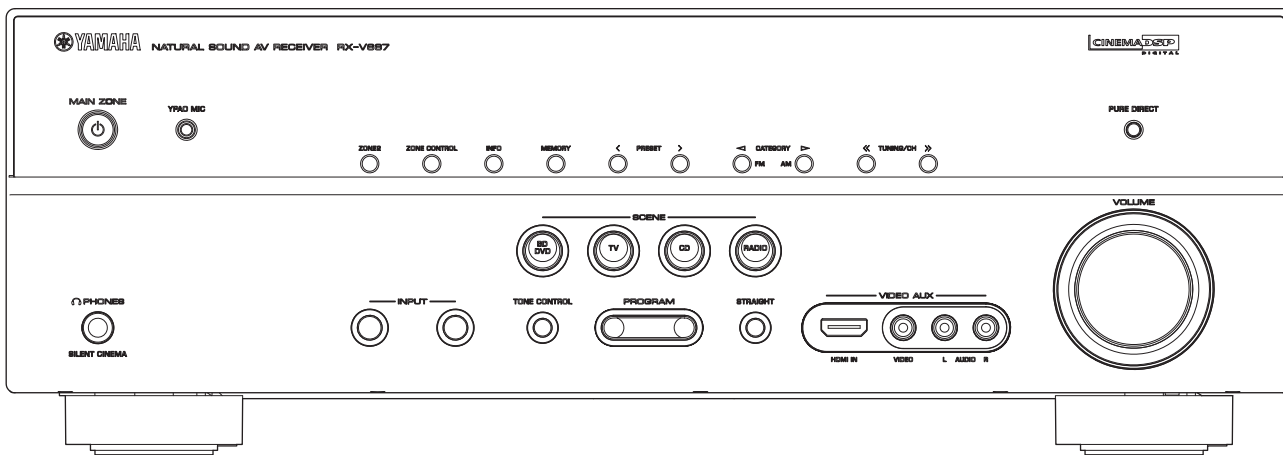


C, R, T, K, A, B, G, F, L models

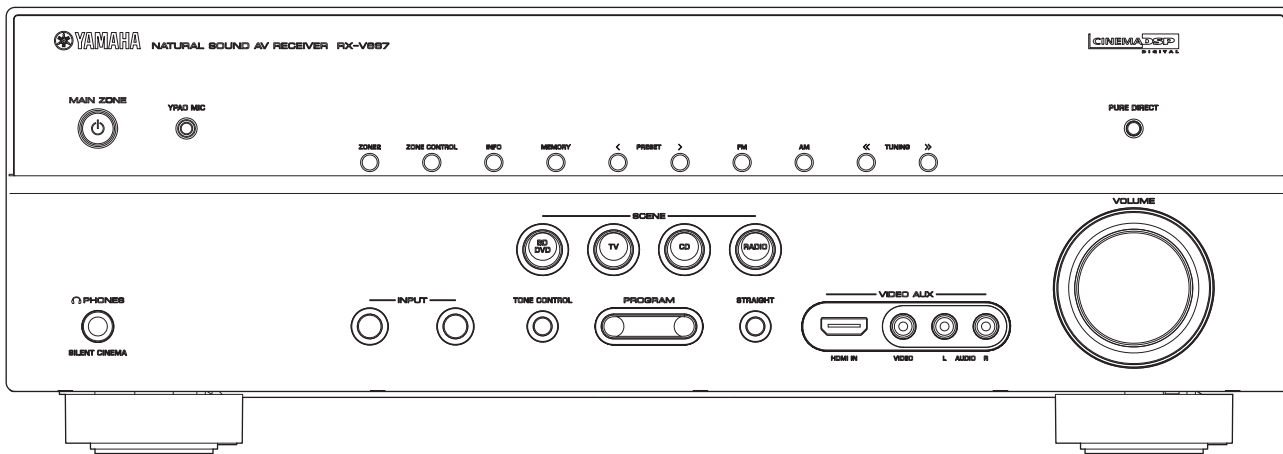


Front view

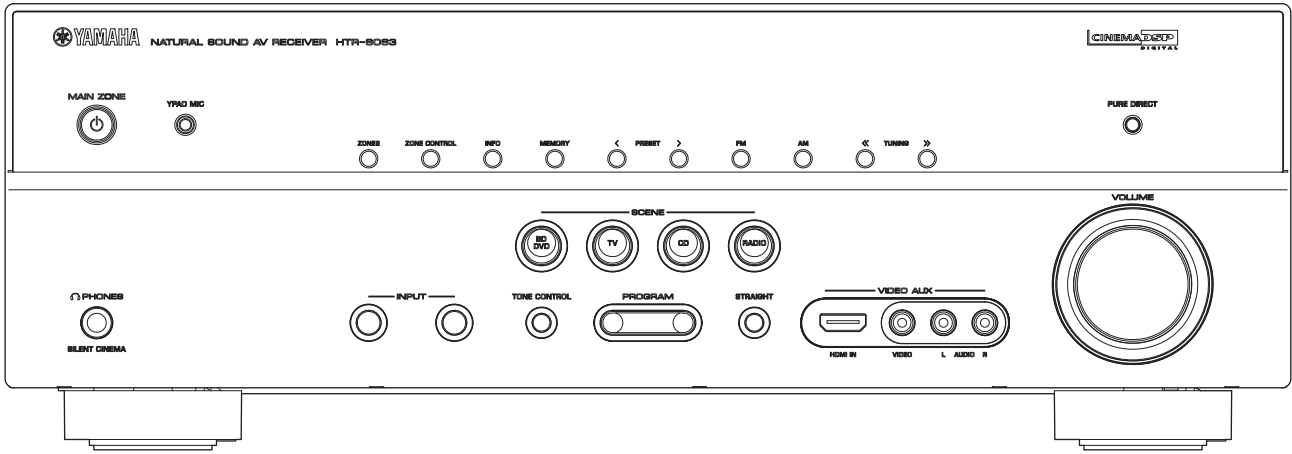
RX-V667 (U model)



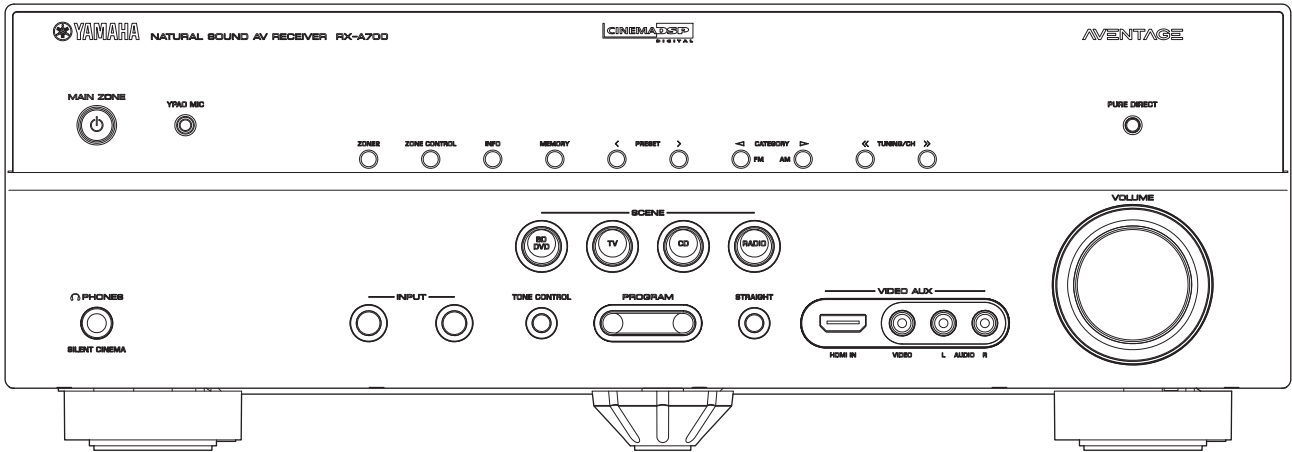
RX-V667 (C, R, T, K, A, B, G, F, L models)



HTR-6063 (C, A models)

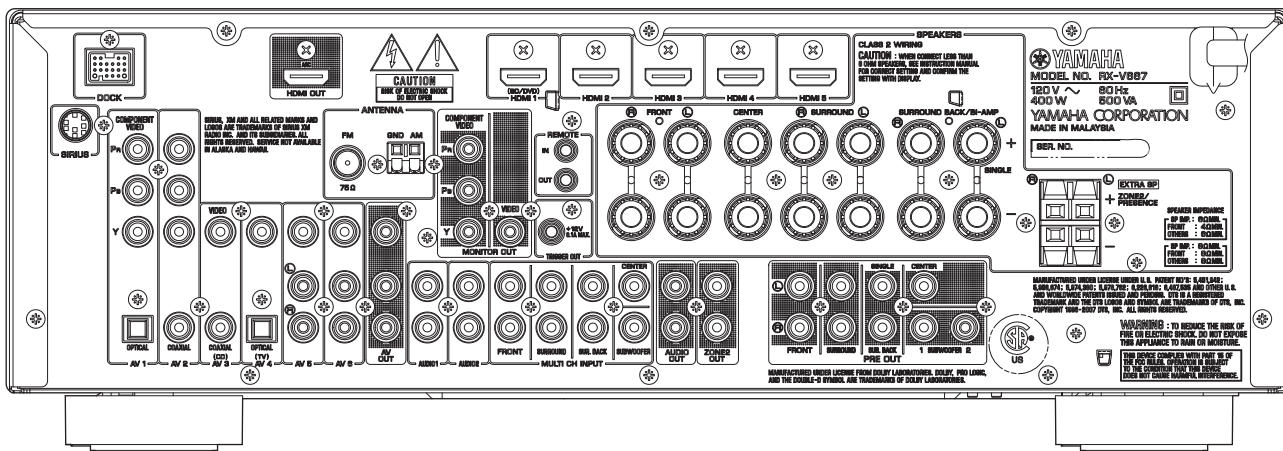


RX-A700 (U model)

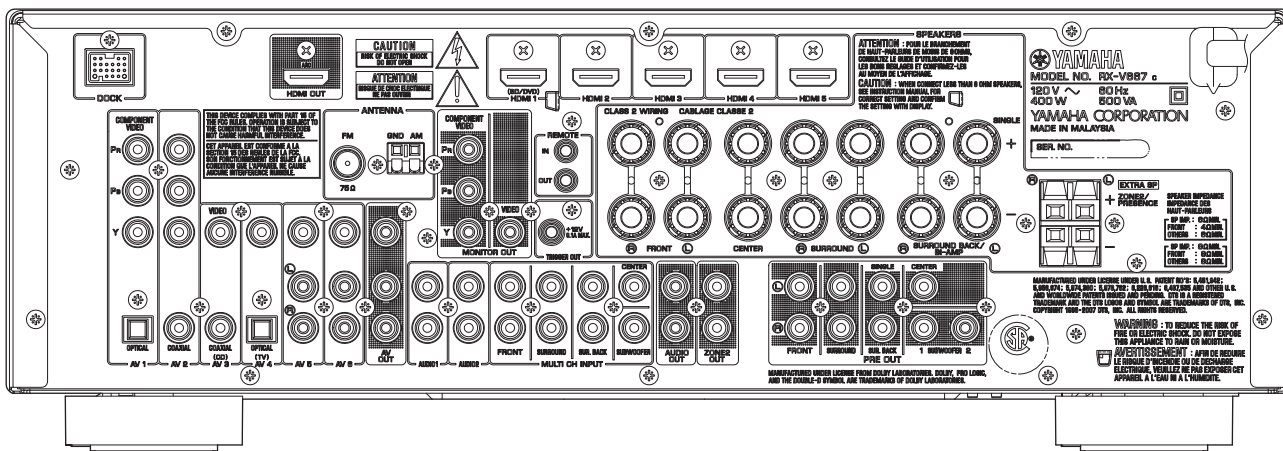


REAR PANELS

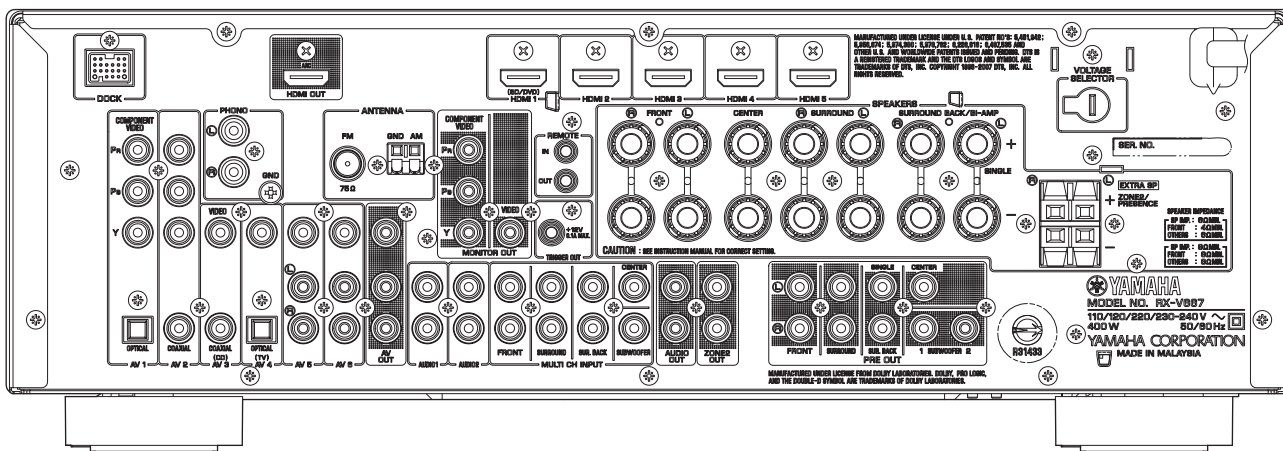
RX-V667 (U model)



RX-V667 (C model)



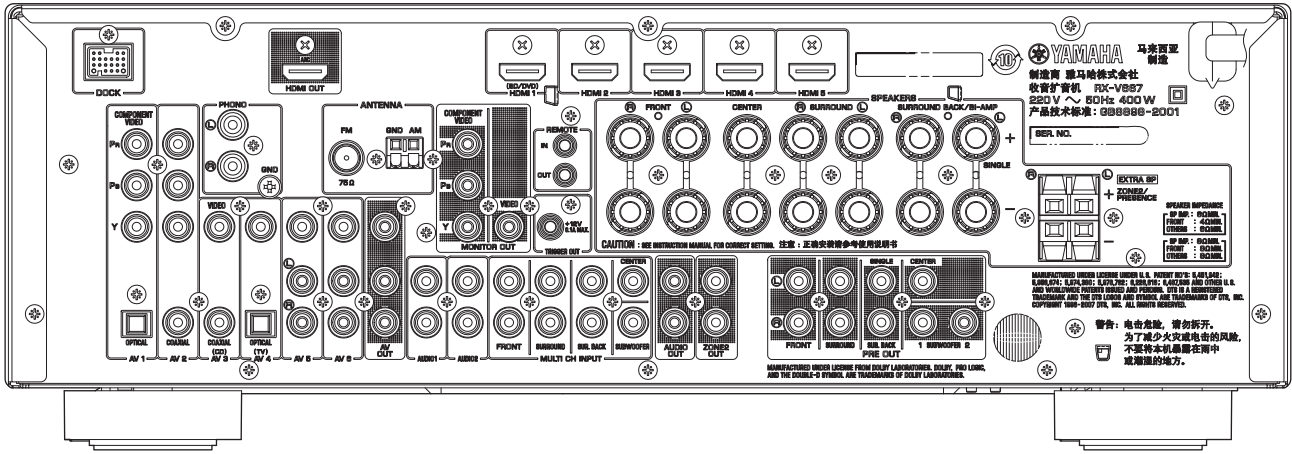
RX-V667 (R model)



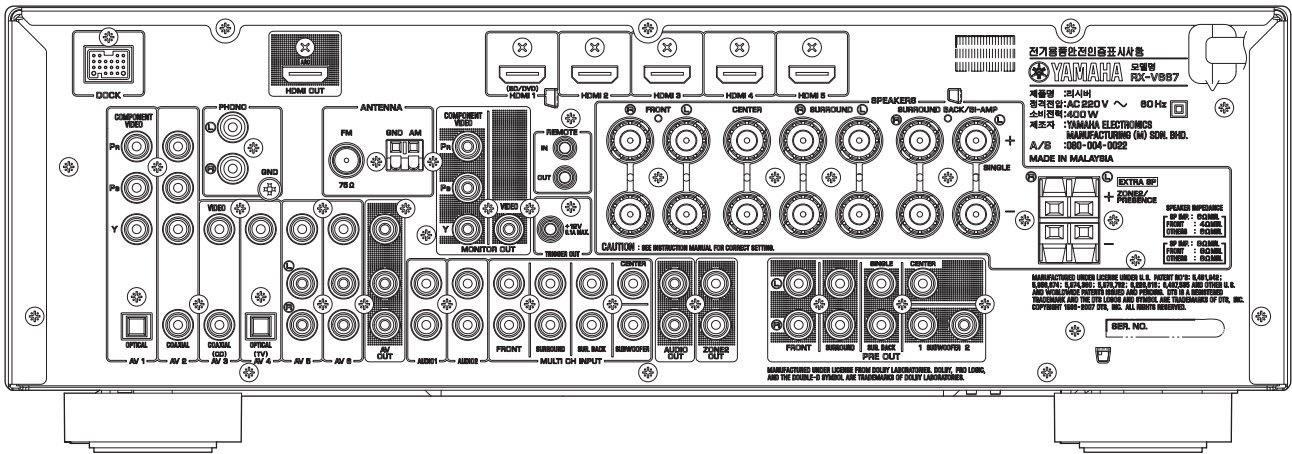
RX-V667/HTR-6063/RX-A700

RX-V667/HTR-6063/
RX-A700

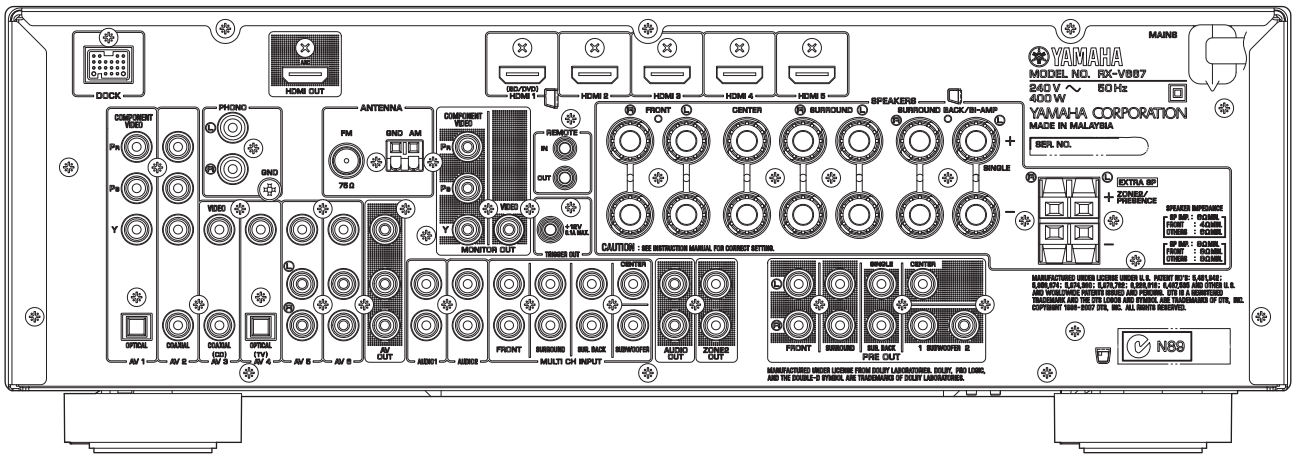
RX-V667 (T model)



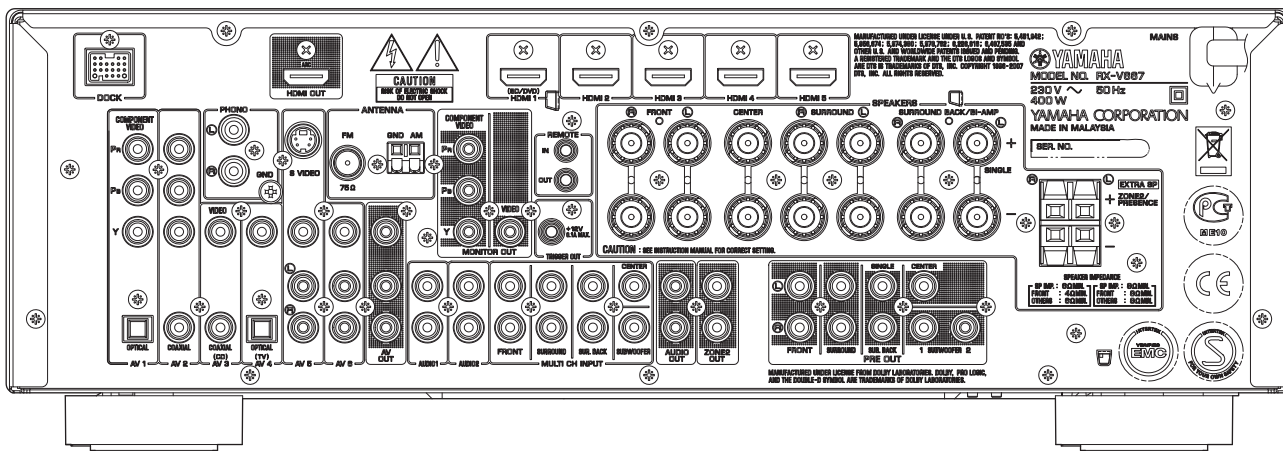
RX-V667 (K model)



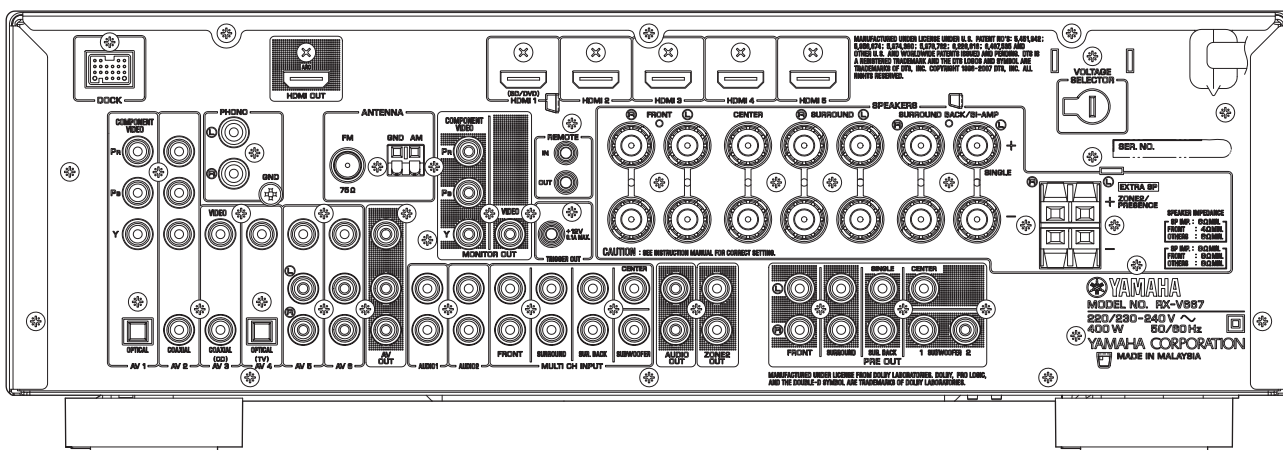
RX-V667 (A model)



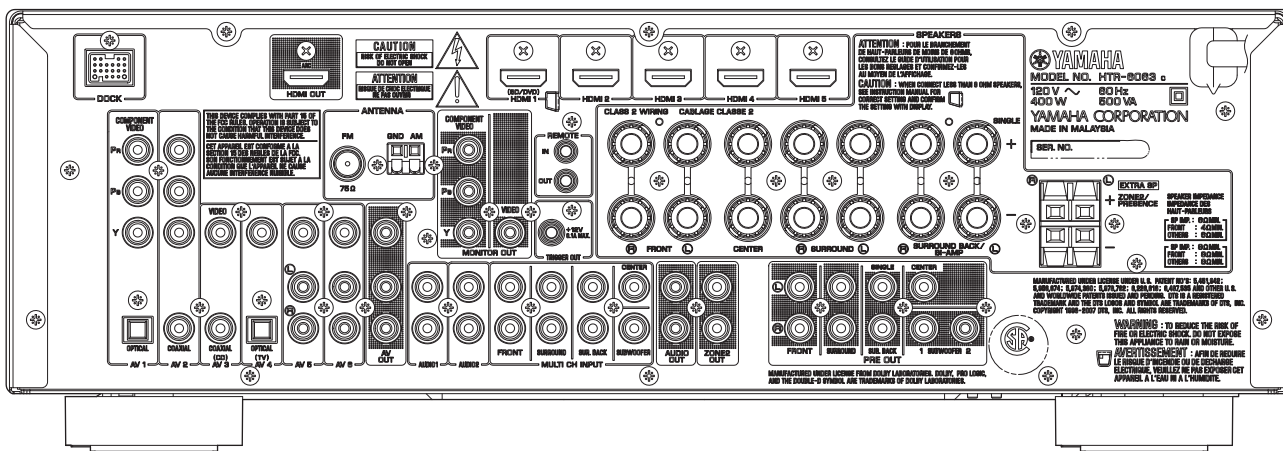
RX-V667 (B, G, F models)



RX-V667 (L model)

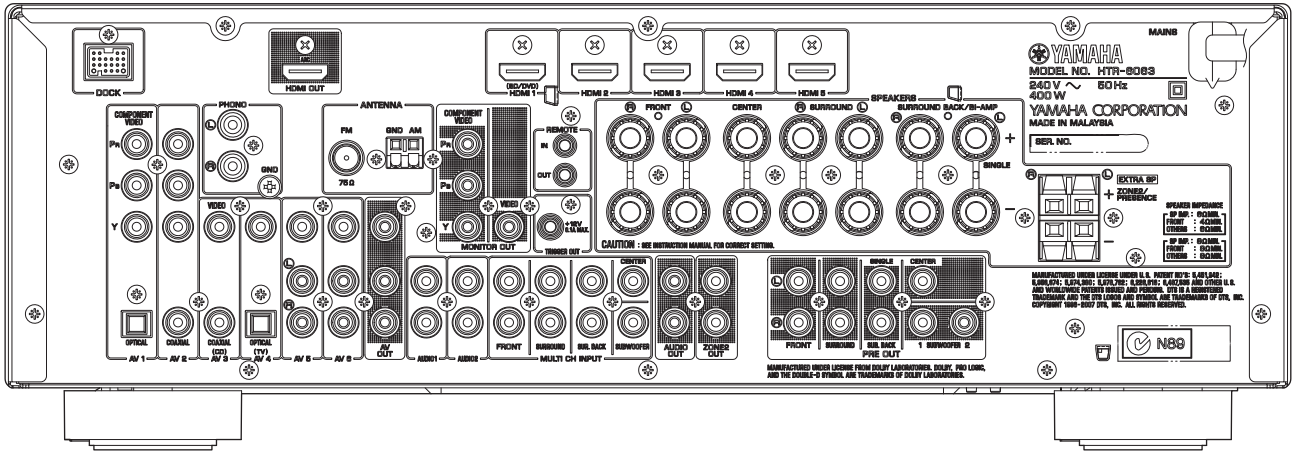


HTR-6063 (C model)

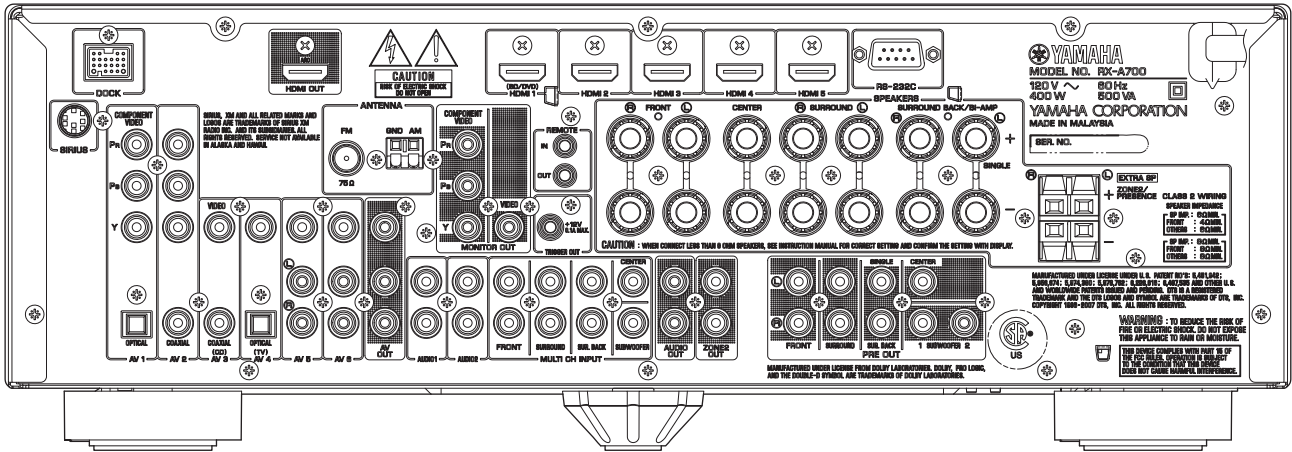


RX-V667/HTR-6063/RX-A700

HTR-6063 (A model)

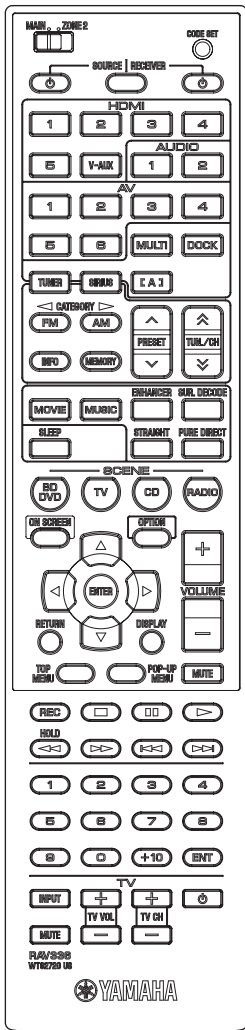


RX-A700 (U model)

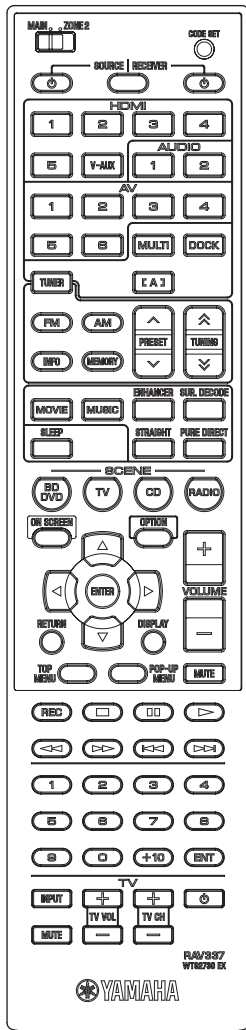


REMOTE CONTROL PANELS

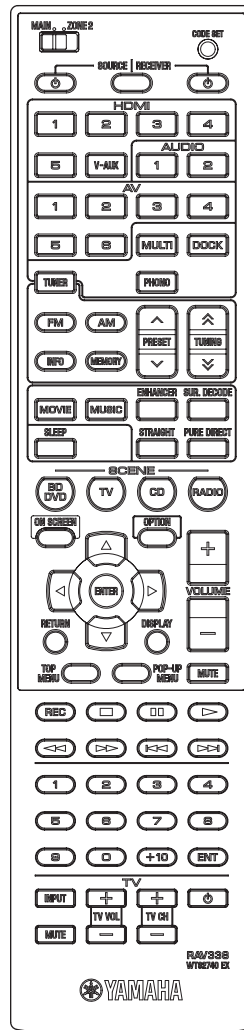
RAV336
(U model)



RAV337
(C model)



RAV338
(R, T, K, A, B, G, F, L models)



RX-V667/HTR-6063/
RX-A700

■ SPECIFICATIONS

■ Audio Section

Minimum RMS Output Power (Power Amp. Section)

[RX-V667/RX-A700]

(20 Hz to 20 kHz, 0.08 % THD, 8 ohms)

FRONT L/R	90 W + 90 W
CENTER	90 W
SURROUND L/R	90 W + 90 W
SURROUND BACK L/R	90 W + 90 W

[HTR-6063]

(1 kHz, 0.7 % THD, 8 ohms)

FRONT L/R	105 W + 105 W
CENTER	105 W
SURROUND L/R	105 W + 105 W
SURROUND BACK L/R	105 W + 105 W

Maximum Power (JEITA) (1 kHz, 10 % THD, 8 ohms)

[R, T, K, L models]

FRONT L/R	130 W + 130 W
CENTER	130 W
SURROUND L/R	130 W + 130 W
SURROUND BACK L/R	130 W + 130 W

Max. Power Per Channel (1 kHz, 0.7 % THD, 4 ohms)

[B, G, F, L models]

FRONT L/R	140 W + 140 W
CENTER	140 W
SURROUND L/R	140 W + 140 W
SURROUND BACK L/R	140 W + 140 W

IEC Power (1 kHz, 0.08 % THD, 8 ohms) [B, G, F, L models]

FRONT L/R	100 W + 100 W
-----------	---------------

Dynamic Power Per Channel (IHF) (FRONT L/R drive)

(8 / 6 / 4 / 2 ohms) 125 / 160 / 190 / 230 W

Dynamic Headroom [U, C models]

(8 ohms) 1.43 dB

Damping Factor

(20 Hz to 20 kHz, 8 ohms, SPEAKER-A)

FRONT L/R 100 or more

Input Sensitivity/Input Impedance

(1 kHz, 100 W/8 ohms)

PHONO (MM)	3.5 mV / 47 k-ohms
AV5, etc.	200 mV / 47 k-ohms
MULTI CH INPUT	
FRONT L/R, CENTER, SURROUND L/R, SURROUND BACK L/R, SUBWOOFER	200 mV / 47 k-ohms

Maximum Input Signal (1 kHz)

PHONO (MM) (0.1 % THD) 60 mV or more
 AV5, etc. (Effect ON) (0.5 % THD) 2.3 V or more

Output Level/Output Impedance

REC OUT 200 mV / 1.2 k-ohms

PRE OUT 1 V / 1.2 k-ohms

SUBWOOFER (2 ch stereo and FRONT SP: small)

..... 1 V / 1.2 k-ohms

ZONE2 OUT 200 mV / 1.2 k-ohms

Headphone Jack Rated Output/Impedance

AV5, etc. (1 kHz, 50 mV, 8 ohms) 100 mV / 560 ohms

Frequency Response (10 Hz to 100 kHz)

AV5, etc. to FRONT L/R 0 / -3.0 dB

RIAA Equalization Deviation

[R, T, K, A, B, G, F, L models]

PHONO (MM) 0 ±0.5 dB

Total Harmonic Distortion

PHONO (MM) to REC OUT (20 Hz to 20 kHz, 1 V)
 0.02 % or less

AV5 etc. (PURE DIRECT) to FRONT SP OUT

(20 Hz to 20 kHz, 50 W, 8 ohms)

..... 0.06 % or less

Signal to Noise Ratio (IHF-A Network)

PHONO (MM) (Input shorted) to REC OUT
 5 mV 81 dB or more
 AV5, etc. (PURE DIRECT) (Input shorted) to SP OUT
 250 mV 100 dB or more

Residual Noise (IHF-A Network)

FRONT L/R SP OUT 150 µV or less

Channel Separation (1 kHz / 10 kHz)

PHONO (Input shorted)
 60 dB or more / 55 dB or more
 AV5, etc. (Input 5.1 k-ohms shorted)
 60 dB or more / 45 dB or more

Volume Control

..... MUTE / -80 dB to +16.5 dB / 0.5 dB step

Tone Control Characteristics

FRONT L/R

BASS

Boost/Cut ±6 dB / 0.5 dB step / 50 Hz
 Turnover frequency 350 Hz

TREBLE

Boost/Cut ±6 dB / 0.5 dB step / 20 kHz
 Turnover frequency 3.5 kHz

Filter Characteristics

FRONT, CENTER, SURROUND, SURROUND BACK small (H.P.F.)
 fc=40/60/80/90/100/110/120/160/200 Hz, 12 dB/oct.

SUBWOOFER (L.P.F.)

..... fc=40/60/80/90/100/110/120/160/200 Hz, 24 dB/oct.

■ Video Section

Video Signal Type [Monitor out] (Wall paper)

U, C, R, K models NTSC

T, A, B, G, F, L models PAL

Video Signal Type (Video conversion)

..... NTSC/PAL

Composite Video Signal Level

..... 1 Vp-p / 75 ohms

S-Video Signal Level [B, G, F models]

Y 1 Vp-p / 75 ohms

C 0.286 Vp-p / 75 ohms

Component Video Signal Level

Y 1 Vp-p / 75 ohms

PB/PR 0.7 Vp-p / 75 ohms

Video Maximum Input Level (VIDEO CONV. OFF)

..... 1.5 Vp-p or more

Signal to Noise Ratio

..... 50 dB or more

Monitor Out Frequency Response (VIDEO CONV. OFF)

Component video signal level 5 Hz to 60 MHz, -3 dB

■ FM Section

Tuning Range

U, C models 87.5 to 107.9 MHz

R, L models 87.5 to 108.0 / 87.50 to 108.00 MHz

T, K, A, B, G, F models 87.50 to 108.00 MHz

50 dB Quieting Sensitivity (IHF) (1 kHz, 100 % MOD.)

Mono 3 µV (20.8 dBf)

Signal to Noise Ratio (IHF)

Mono 74 dB

Stereo 70 dB

Harmonic Distortion (1 kHz)

Mono 0.3 %

Stereo 0.3 %

Antenna Input

..... 75 ohms unbalanced

■ AM Section

Tuning Range

U, C models 530 to 1,710 kHz
 R, L models 530 to 1,710 / 531 to 1,611 kHz
 T, K, A, B, G, F models 531 to 1,611 kHz

Antenna

..... Loop antenna

■ General

Power Supply

U, C models AC 120 V, 60 Hz
 R model AC 110/120/220/230-240 V, 50/60 Hz
 T model AC 220 V, 50 Hz
 K model AC 220 V, 60 Hz
 A model AC 240 V, 50 Hz
 B, G, F models AC 230 V, 50 Hz
 L model AC 220/230-240 V, 50/60 Hz

Power Consumption

U, C models 400 W / 500 VA
 R, T, K, A, B, G, F, L models 400 W

Standby Power Consumption (reference data)

HDMI control: OFF / Standby through: OFF 0.2 W or less
 HDMI control: ON / Standby through: ON 2.7 W or less

Maximum Power Consumption [R, L models]

..... 590 W

Dimensions (W x H x D)

..... 435 x 151 x 364 mm (17-1/8" x 6" x 14-3/8")

Weight

..... 11.0 kg (24.3 lbs.)

Finish

[RX-V667]
 T model Gold color
 U, C, R, T, K, A, B, G, F, L models Black color
 R, K, G, F, L models Titanium color
 [HTR-6063]
 C, A models Black color
 [RX-A700]
 U model Black color

Accessories

Remote control x 1
 Batteries (R03, AAA, UM-4) x 2
 Indoor FM antenna (1.4 m) x 1
 AM loop antenna (1.0 m) x 1
 YPAO microphone (6.0 m) x 1
 VIDEO AUX input cover x 1

* Specifications are subject to change without notice.

U.....U.S.A. model
C.....Canadian model
R.....General model
T.....Chinese model
K.....Korean model

A.....Australian model
B.....British model
G.....European model
F.....Russian model
L.....Singapore model



Manufactured under license from Dolby Laboratories. Dolby, Pro Logic and the double-D symbol are trademarks of Dolby Laboratories.



DTS is a registered trademark and the DTS logos, Symbol, DTS-HD and DTS-HD Master Audio are trademark of DTS, Inc.

iPod™, iPhone™

"iPod" is a trademark of Apple Inc., registered in the U.S. and other countries. "iPhone" is a trademark of Apple Inc.

Bluetooth™

Bluetooth is a registered trademark of the Bluetooth SIG and is used by Yamaha in accordance with a license agreement.



"HDMI", the "HDMI" logo and "High-Definition Multimedia Interface" are trademarks, or registered trademarks of HDMI Licensing LLC.

SILENT™ CINEMA

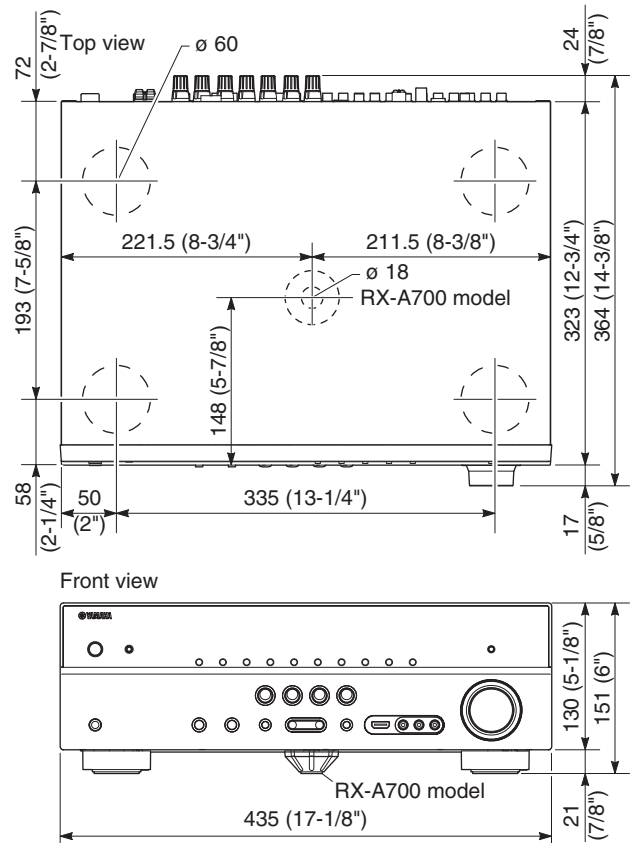
"SILENT CINEMA" is a trademark of Yamaha Corporation.



SIRIUS, XM and all related marks and logos are trademarks of Sirius XM Radio Inc. and its subsidiaries. All rights reserved. **Service not available in Alaska and Hawaii.**

• DIMENSIONS

Unit: mm (inch)



• **SELECT MENU**

Sound field parameters

RX-V667/HTR-6063/
RX-A700

Category	Program	Parameter																								
		Decode Type (*1)	DSP Level: -6 to +3 dB, [0]	Initial Delay: 1 to 99 ms	Room Size: 0.1 to 2.0	Liveness: 0 to 10	Surround Initial Delay: 1 to 49 ms	Surround Room Size: 0.1 to 2.0	Surround Liveness: 0 to 10	Center Level: 0 to 100 %, [100 %]	Surround L Level: 0 to 100 %, [100 %]	Surround R Level: 0 to 100 %, [100 %]	Surround Back Initial Delay: 1 to 49 ms	Surround Back Room Size: 0.1 to 2.0	Surround Back Liveness: 0 to 10	Surround Back L Level: 0 to 100 %, [7.1CH: 35 %, 6.1CH: 50 %]	Surround Back R Level: 0 to 100 %, [7.1CH: 35 %, 6.1CH: 50 %]	Front Presence L Level: 0 to 100 % [100 %]	Front Presence R Level: 0 to 100 % [100 %]	Reverb Time: 1.0 to 5.0 s	Reverb Delay: 0 to 250 ms	Reverb Level: 0 to 100 %	Direct: Auto / Off, [Auto]	Reset		
MOVIE	Standard	●	●				●	●	●				●	●	●											●
	Spectacle	●	●	●	●		●	●					●	●												●
	Sci-Fi	●	●	●	●		●	●					●	●												●
	Adventure	●	●	●	●		●	●					●	●												●
	Drama	●	●	●	●		●	●					●	●												●
	Mono Movie		●	●	●	●																●	●	●		●
	Sports		●	●	●		●	●					●	●												●
	Action Game		●	●	●		●	●					●	●												●
	Roleplaying Game		●	●	●		●	●					●	●												●
	Music Video		●	●	●		●	●					●	●												●
MUSIC	Hall in Munich		●	●	●	●																			●	
	Hall in Vienna		●	●	●	●																			●	
	Chamber		●	●		●															●	●	●		●	
	Cellar Club		●	●	●	●																			●	
	The Roxy Theatre		●	●	●	●															●	●	●		●	
	The Bottom Line		●	●	●	●																			●	
	2ch Stereo																							●	●	
	7ch Stereo									●	●	●					●	●	●	●					●	
ENHANCER	Enhancer On																									
	Enhancer Off																									
SUR. DECODE	Surround Decoder	●																							●	
STRAIGHT																										

*1 Surround Decoder

Decode Type	Pro Logic
	PL IIx Movie / PL II Movie
	PL IIx Music / PL II Music
	PL IIx Game / PL II Game
	Neo:6 Cinema
	Neo:6 Music

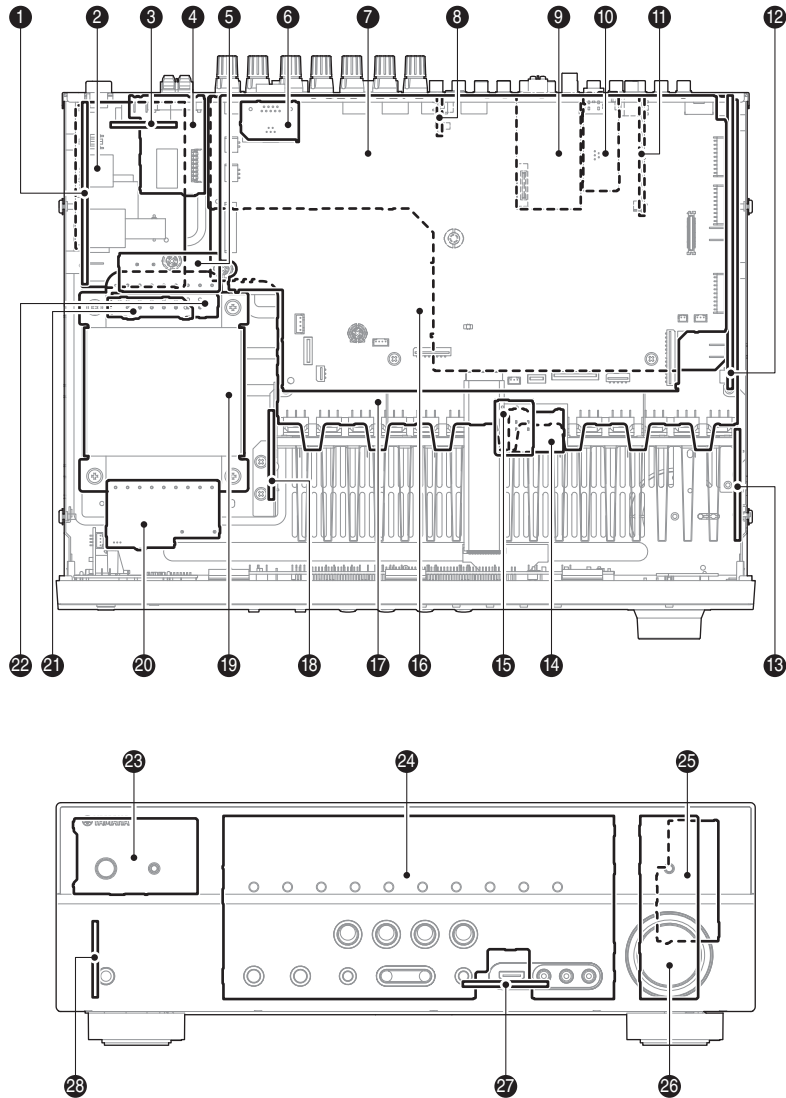
• SET MENU TABLE

MAIN MENU	SUB-MENU	PARAMETER	VALUE [INITIAL VALUE]	
Speaker Setup	Auto	Measure	Optimizes the speaker configuration automatically using YPAO.	
	Manual	Power Amp Assign	[7ch Normal] / 7ch +1ZONE / 5ch BI-AMP	
		Configuration	Front Speaker	Large / [Small] * When "Subwoofer" is set to "None," "Front speaker" is disabled.
			Center Speaker	Large / [Small] / None
			Surround Speaker L/R	Large / [Small] / None
			Surround Back Speaker L/R	Large x1 / Large x2 / Small x1 / [Small x2] / None
			Front Presence	[Use] / None
			Subwoofer	[Use] / None
			Phase	[Normal] / Reverse
			Extra Bass	[Off] / On
			Bass Cross Over	40 / 60 / [80] / 90 / 100 / 110 / 120 / 160 / 200 Hz
		Distance		Meter / [Feet]
			Front L	0.30 to 24.00 m, [3.00 m], 0.05 m step 1.0 to 80.0 ft, [10.0 ft], 0.2 ft step
			Front R	
			Center	
			Surround L	
			Surround R	
			Surround Back L	
			Surround Back R	
			Front Presence L	
			Front Presence R	
		Subwoofer		
		Level	Front L	-10.0 to +10.0 dB, [0.0 dB], 0.5 dB step
			Front R	
			Center	
			Surround L	
			Surround R	
			Surround Back L	
			Surround Back R	
	Front Presence L			
	Front Presence R			
	Subwoofer			
	Parametric EQ	PEQ Select	Manual / Flat / Front / Natural / [Through]	
PEQ Data Copy		Flat > Manual / Front > Manual / Natural > Manual		
	Front L	Band / Gain	▶ Band: #1 to #7 ▲ Gain: -20.0 to +6.0 dB, [0.0 dB], 0.5 dB step	
	Front R			
	Center	Freq. / Gain	▶ Frequency: 31.3 Hz to 16.0 kHz, [62.5 Hz] ▲ Gain: -20.0 to +6.0 dB, [0.0 dB], 0.5 dB step	
	Surround L			
	Surround R	Q / Gain	▶ Q: 0.500 to 10.080, [1.000] ▲ Gain: -20.0 to +6.0 dB, [0.0 dB], 0.5 dB step	
	Surround Back L			
	Surround Back R	Reset	Yes / No * Select "ENTER"	
	Front Presence L			
	Front Presence R			
	Subwoofer			
	Test Tone		[Off] / On	
Sound Setup	Lipsync	Mode	Manual / [Auto]	
		Delay	0 to 250 ms, [0 ms], 1 ms step	
	Dynamic Range		[MAX] / STD / MIN/AUTO	
	Max. Volume		-30.0 to +16.5 dB (Maximum volume), [+16.5 dB], 5.0 dB step	
	Initial Volume		[Off] / Mute, -80 to +16.5 dB, 0.5 dB step	
	Adaptive DSP Level		[On] / Off	
Video Setup	Analog to Analog Conversion		Off / [On]	
	Processing		[Off] / On	
		Resolution		[Auto] / 480p / 720p / 1080i / 1080p / Through * Select "ENTER"
	Aspect		[Through] / 16:9 Normal	

RX-V667/HTR-6063/
RX-A700

MAIN MENU	SUB-MENU		PARAMETER	VALUE [INITIAL VALUE]		
HDMI Setup	HDMI Control			[Off] / On		
	ARC (Audio Return Channel)			Off / [On]		
	TV Audio Input	TV		AV1 / AV2 / AV3 / [AV4] / AV5 / AV6 / AUDIO1 / AUDIO2		
	Audio Output	Amp		[On] / Off		
		OUT		On / [Off]		
Standby Through			[Off] / On * When HDMI Control is set to "On", "Standby Through" is disabled.			
Multi Zone Setup	Zone2 Set	Max. Volume		-30.0 to +16.5 dB (Maximum volume), [+16.5 dB], 5.0 dB step		
		Initial Volume		[Off] / Mute, -80 to +16.5 dB, 0.5 dB step		
	Party Mode Set	Target: Zone2		Disable / [Enable]		
Function Setup	Auto Power Down	Timer		4hours / 8hours / 12hours / [Off]		
	Display Set	Front Panel Display	Dimmer	-4 to 0		
			Scroll			
	Wall Paper			Picture / Gray		
	Trigger Output	Trigger Mode			[Power] / Source / Manual	
		Target Zone			Main / Zone2 / [All] * When "Trigger Mode" is set to "Power", "Target Zone" is disabled.	
		Target Source	HDMI1			Low / [High] * When "Trigger Mode" is set to "Source", "Target Source" is disabled.
			HDMI2			
			HDMI3			
			HDMI4			
HDMI5						
AV1						
AV2						
AV3						
AV4						
AV5						
AV6						
VIDEO AUX						
TUNER						
Sirius Satellite Radio						
AUDIO1						
AUDIO2						
DOCK						
MULTI CH						
Manual			Low / [High] * When "Trigger Mode" is set to "Manual", "Manual" is disabled.			
Memory Guard			[Off] / On			
Language Setup			English (English), 日本語 (Japanese), Français (French), Deutsch (German), Español (Spanish), Русский (Russian)			

INTERNAL VIEW



- 1 VIDEO (2) P.C.B.
- 2 VIDEO (3) P.C.B.
- 3 MAIN (3) P.C.B. (R, L models)
- 4 OPERATION (8) P.C.B.
- 5 MAIN (2) P.C.B.
- 6 DIGITAL (3) P.C.B. (RX-A700)
- 7 VIDEO (1) P.C.B.
- 8 VIDEO (4) P.C.B.
- 9 AM/FM TUNER
- 10 VIDEO (9) P.C.B. (B, G, F models)
- 11 OPERATION (9) P.C.B.
(R, T, K, A, B, G, F, L models)
- 12 OPERATION (2) P.C.B.
- 13 OPERATION (6) P.C.B.
- 14 OPERATION (7) P.C.B. (C model)
- 15 MAIN (5) P.C.B.
(U, R, T, K, A, B, G, F, L models)
- 16 DIGITAL (1) P.C.B.
- 17 MAIN (1) P.C.B.
- 18 MAIN (6) P.C.B.
- 19 POWER TRANSFORMER
- 20 VIDEO (6) P.C.B.
- 21 VIDEO (7) P.C.B.
(U, C, T, K, B, G, F models)
- 22 MAIN (4) P.C.B. (R, L models)
- 23 OPERATION (4) P.C.B.
- 24 OPERATION (1) P.C.B.
- 25 OPERATION (10) P.C.B.
- 26 OPERATION (5) P.C.B.
- 27 DIGITAL (2) P.C.B.
- 28 OPERATION (3) P.C.B.

SERVICE PRECAUTIONS

Safety measures

- Some internal parts in this product contain high voltages and are dangerous. Be sure to take safety measures during servicing, such as wearing insulating gloves.
- Note that positions indicated below are dangerous even after the power is turned off because an electric charge remains and a high voltage continues to exist there. Before starting any repair work, perform discharge by connecting a discharge resistor (5k-ohms/10W) between terminals at following positions. The time required for discharging is about 30 seconds.
C3703 on VIDEO (2) P.C.B.
Refer to "PRINTED CIRCUIT BOARDS: VIDEO (2) P.C.B.".

DISASSEMBLY PROCEDURES

(Remove parts in the order as numbered.)
 Disconnect the power cable from the AC outlet.

1. Removal of Top Cover

- Remove 4 screws (①) and 5 screws (②). (Fig. 1)
- Lift the rear of the top cover to remove it.

2. Removal of Front Panel Unit

- Remove 7 screws (③), and remove W4401. (Fig. 1)
- Remove CB8, CB458, CB472 and CB914. (Fig. 1)
- Unlock and remove CB333. (Fig. 1)
- Release 2 hooks, and remove the front panel unit. (Fig. 1)

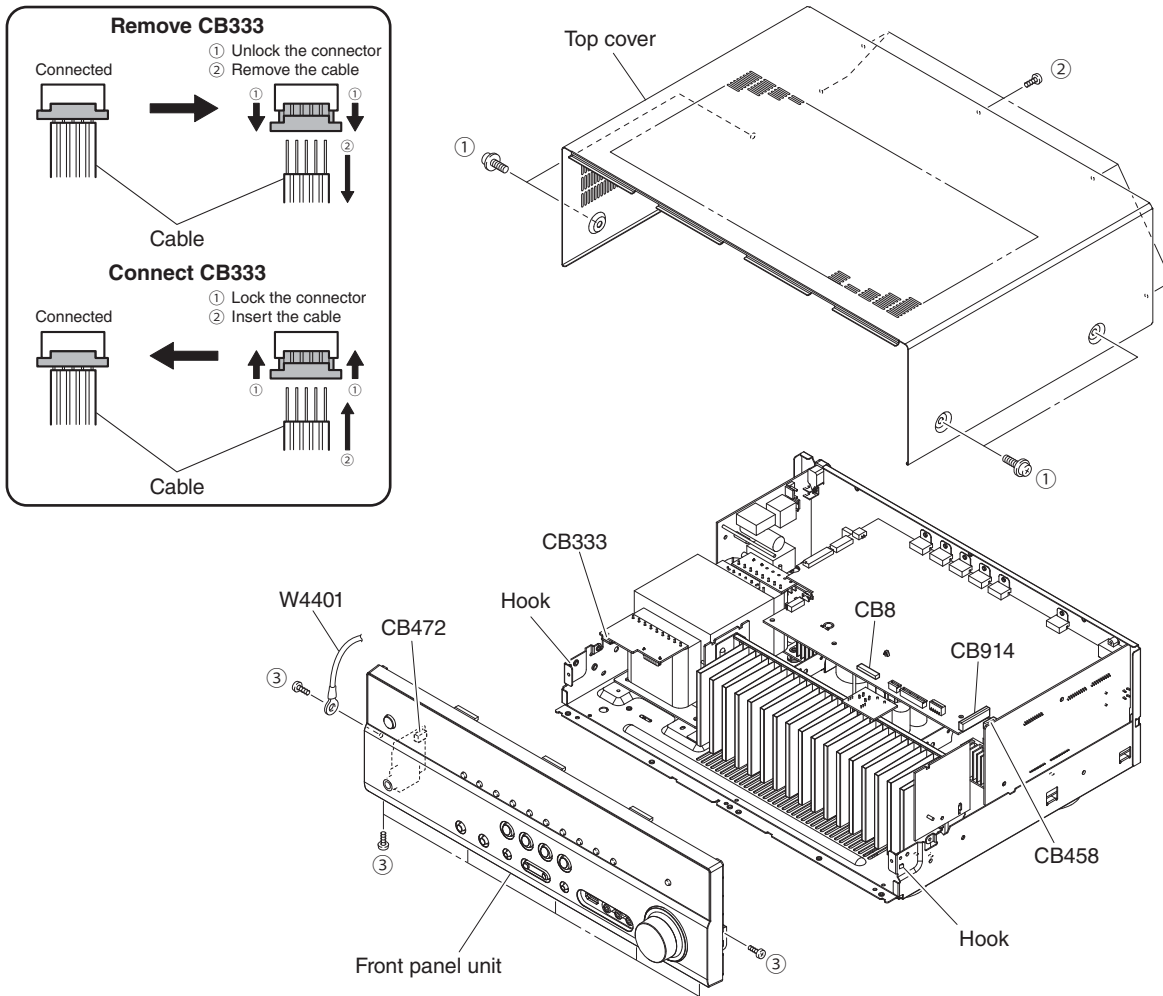


Fig. 1

**3. Removal of DIGITAL (3) P.C.B.
(RX-A700 model only)**

- a. Remove 2 jack screws (④). (Fig. 3)
- b. Remove CB901 and remove the DIGITAL (3) P.C.B. (Fig. 2)

4. Removal of DIGITAL (1) P.C.B.

- a. Remove screw (⑤) and 6 screws (⑥). (Fig. 3)
- b. Remove 3 screws. (⑦). (Fig. 2)
- c. Remove CB34, CB73, CB904, CB913 and CB31 (B, G, F models). (Fig. 2)
- d. Unlock and remove CB906-907 and CB911. (Fig. 2)
- e. Remove the DIGITAL P.C.B. which is connected directly to the OPERATION (2) P.C.B. with board-to-board connectors. (Fig. 2)

5. Removal of AMP Unit

- a. Remove screw (⑧), 2 screws (⑨) and 4 screws (⑩). (Fig. 2)
- b. Remove 3 screws (⑪). (Fig. 3)
- c. Remove the amp unit. (Fig. 2)

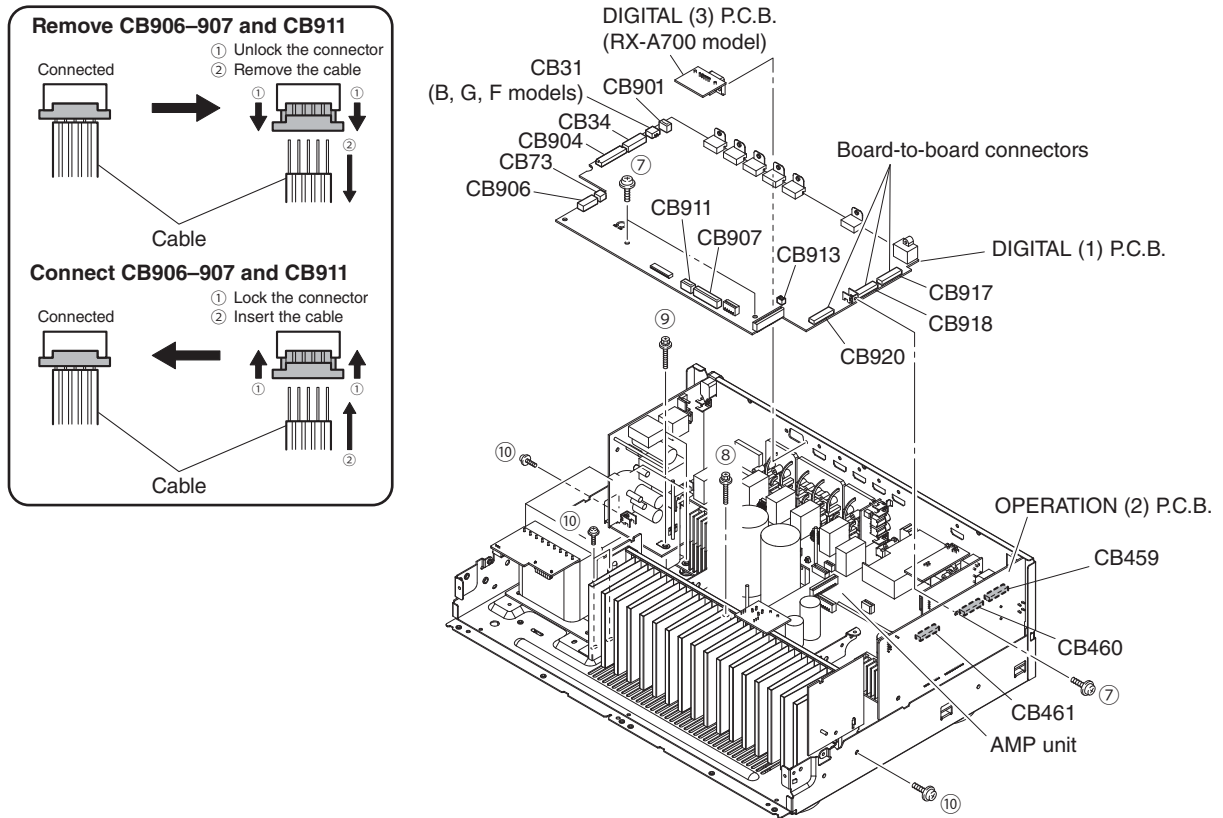


Fig. 2

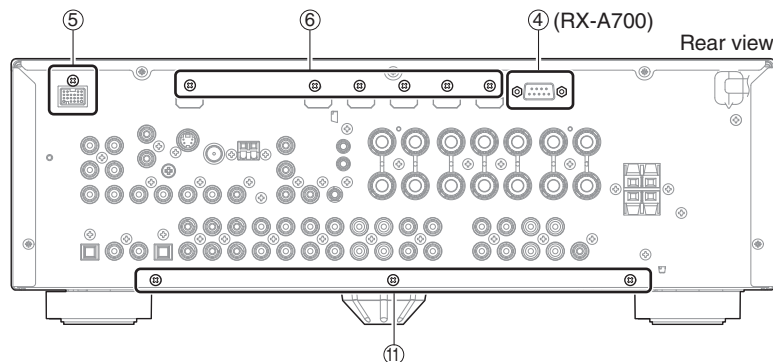


Fig. 3

When checking the P.C.B.s:

- Follow the procedure below to place the P.C.B.s (with rear panel) upright. (Fig. 5)
 - a. Remove the top cover. (Fig. 1)
 - b. Cut out a part of the DIGITAL (1) P.C.B. as shown in the figure below in order that screw (⑧) can be removed. (Fig. 4)
 - c. Remove screw (⑧), 2 screws (⑨) and 5 screws (⑩). (Fig. 2)
 - d. Remove 3 screws (⑩). (Fig. 3)
- Connect the ground points of the heatsink, rear panel and MAIN (1) P.C.B. (G101) to the chassis with a ground lead or the like. (Fig. 5)
- When connecting the flexible flat cable, be careful with polarity.
- Reconnect all cables (connectors) that have been disconnected.

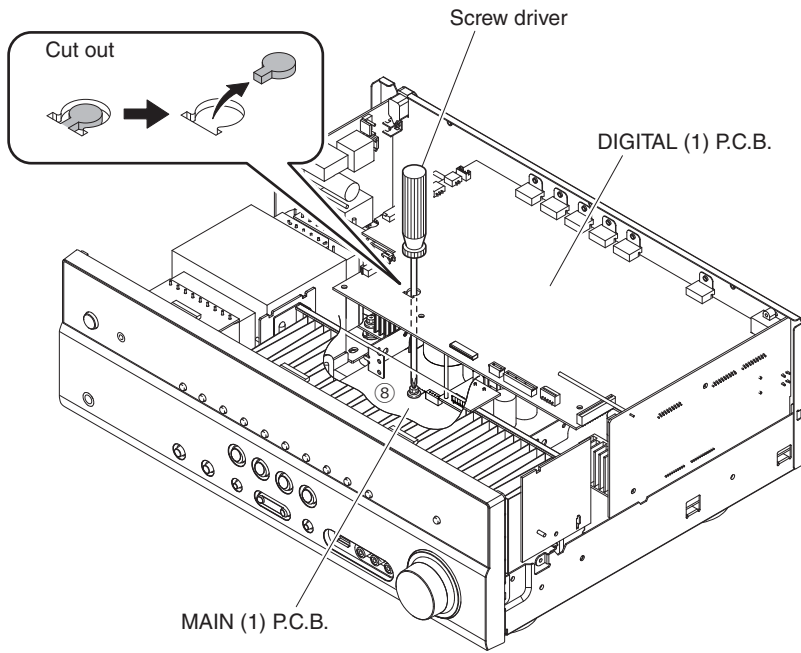


Fig. 4

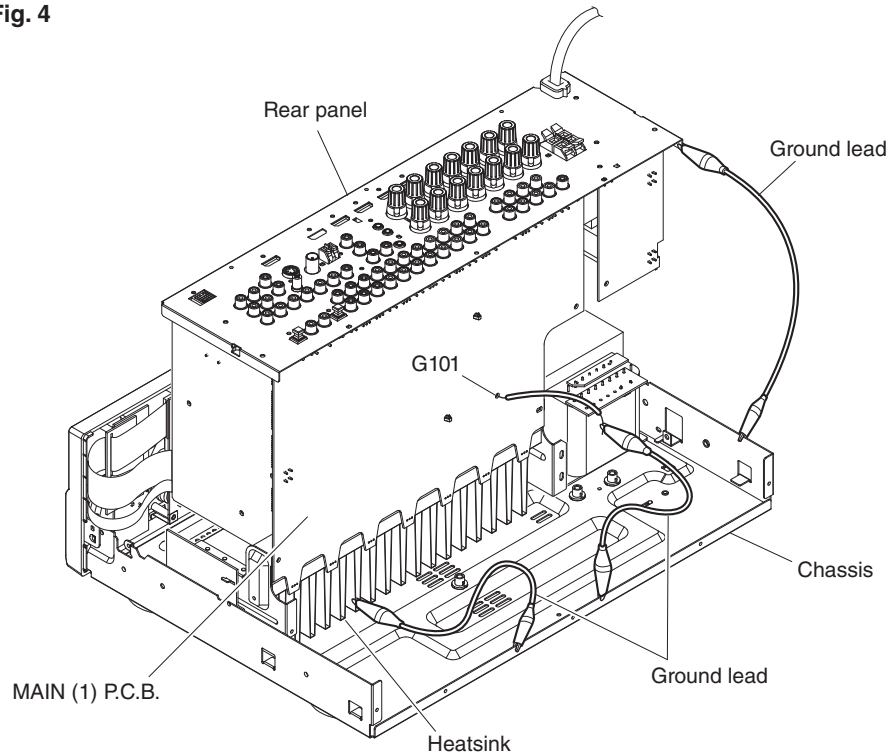


Fig. 5

■ UPDATING FIRMWARE

When the following parts are replaced, the firmware must be updated to the latest version.

DIGITAL P.C.B.

IC951 (TI (DSP) flash ROM) of DIGITAL P.C.B.

● Confirmation of firmware version and checksum

Before and after updating the firmware, check the firmware version and checksum by using the self-diagnostic function menu.

Start up the self-diagnostic function and select "S4. ROM VER/SUM" menu.

Using the sub-menu, have the firmware version and checksum displayed, and note them down.

(See "SELF-DIAGNOSTIC FUNCTION")

* When the firmware version is different from written one after updating, perform the updating procedure again from the beginning.

● Initializing the back-up IC (EEPROM: IC903 of the DIGITAL P.C.B.)

After updating the firmware, the back-up IC MUST be initialized by the following procedure to have proper memorization of the set up information (soundfield parameters, system memory and tuner presetting, etc.).

Start up the self-diagnostic function and select "S3. FACTORY PRESET" menu. (See "SELF-DIAGNOSTIC FUNCTION")

Select "PRESET RSRV", press the "MAIN ZONE ⏻"(power) key of this unit to turn off the power once and turn on the power again. Then the back-up IC is initialized.

● Required Tools

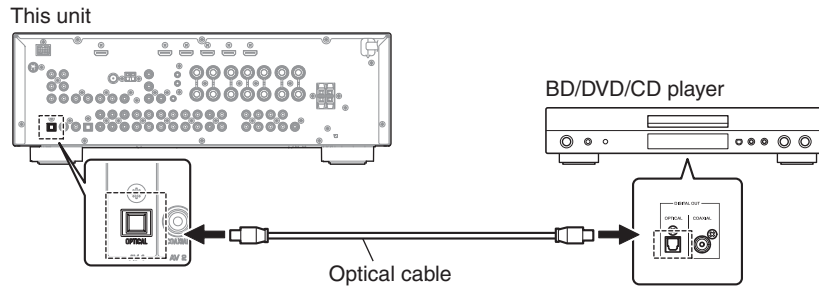
- BD, DVD or CD player (with DIGITAL OUTPUT (OPTICAL or COAXIAL) jack)
- Optical cable (when OPTICAL jack is used)
- Digital audio pin cable (when COAXIAL jack is used)
- Firmware CD

* Download the latest firmware from the specified download source and create the firmware CD.

● **Connection**

Connect this unit and BD/DVD/CD player as shown below. (Fig. 1)

Example of OPTICAL jack



Example of COAXIAL jack

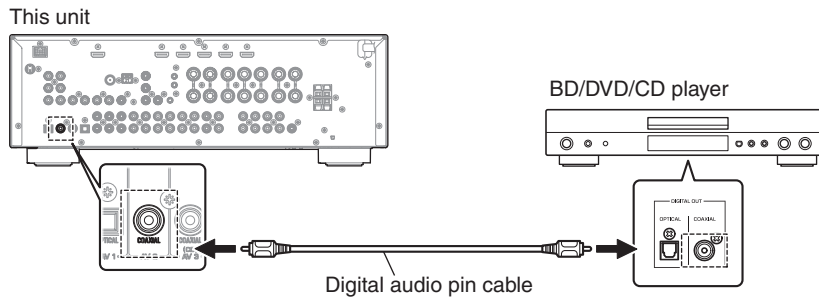
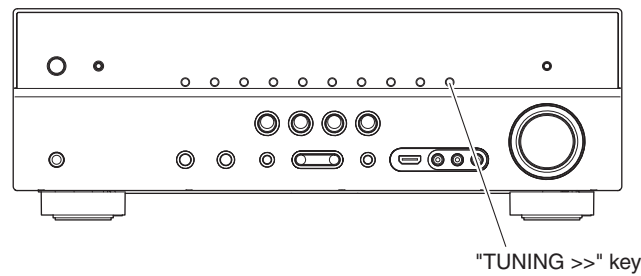


Fig. 1

● **Operation Procedures**

1. While pressing the "TUNING >>" key of this unit, connect the power cable of this unit to the AC outlet. (Fig. 2)
The FIRMWARE UPDATE mode is activated and "CDDA Upgrader" is displayed. (Fig. 2)



Display



Fig. 2

2. Play the firmware CD on the BD/DVD/CD player. Writing of the firmware starts automatically. (Fig. 3)
3. When writing of the firmware is completed, "Update Success", "Please..." and "Power off!!" are displayed repeatedly. (Fig. 3)

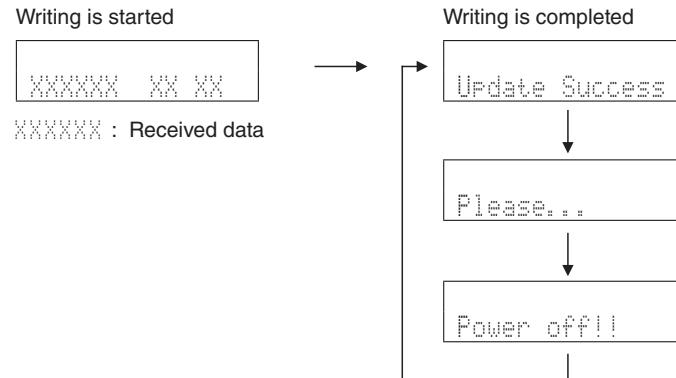


Fig. 3

- * If the display remains unchanged for more than 10 seconds after starting the firmware CD play procedure, perform the firmware CD play procedure again from the beginning.
If "FILE CORRUPTED" is displayed after "Address:XXXXXX", make sure that the written data is not corrupted and perform Steps 1 to 3 of "Operation Procedures" again.
If "Upgrade Failed" is displayed, perform "operation procedures" again from the beginning.

4. Press the "MAIN ZONE ⏻" (power) key of this unit to turn off the power.
5. Eject the firmware CD from the BD/DVD/CD player.
6. Start up the self-diagnostic function and check that the firmware version and checksum are the same as written ones. (See "Confirmation of firmware version and checksum")

■ SELF-DIAGNOSTIC FUNCTION

This unit has self-diagnostic functions that are intended for inspection, measurement and location of faulty point.

There are 25 main menu items, each of which has sub-menu items.

Listed in the table below are main menu items and sub-menu items.

Note that not all menu items listed will apply to the models covered in this service manual.

No.	Main menu	No.	Sub-menu
A: Audio system			
A1	DSP AUDIO	1	DSP MARGIN
		2	DSP NON MARGIN
		3	INVALID ITEM (Not for service)
		4	INVALID ITEM (Not for service)
A2	DIRECT AUDIO	1	ANALOG DIRECT
A3	HDMI AUDIO	1	HDMI AUTO
		2	INVALID ITEM (Not for service)
		3	ARC1
		4	INVALID ITEM (Not for service)
A4	SPEAKERS SET	1	BI-AMP
		2	ZONE/TONE=MAX
		3	ZONE/TONE=MIN
		4	INVALID ITEM (Not for service)
		5	INVALID ITEM (Not for service)
		6	D-PARTY MODE
		7	FULL MUTE
		8	INVALID ITEM (Not for service)
		9	INVALID ITEM (Not for service)
A5	MULTI CHANNEL INPUT	1	8 CHANNEL INPUT 8 ohms
		2	8 CHANNEL INPUT 6 ohms
A6	MIC CHECK	1	MIC ROUTE CHECK
A7	MANUAL TEST	1	TEST ALL
		2	TEST FRONT L
		3	TEST CENTER
		4	TEST FRONT R
		5	TEST SURROUND R
		6	TEST SURROUND BACK R
		7	TEST SURROUND BACK L
		8	TEST SURROUND L
		9	TEST FRONT PRESENCE L
		10	TEST FRONT PRESENCE R
		11	INVALID ITEM (Not for service)
		12	INVALID ITEM (Not for service)
		13	TEST LFE 1
		14	INVALID ITEM (Not for service)
D: Display system			
D1	FL CHECK	1	FL CHECK
		2	ALL SEGMENT OFF
		3	ALL SEGMENT ON
		4	CHECK PATTERN

RX-V667/HTR-6063/
RX-A700

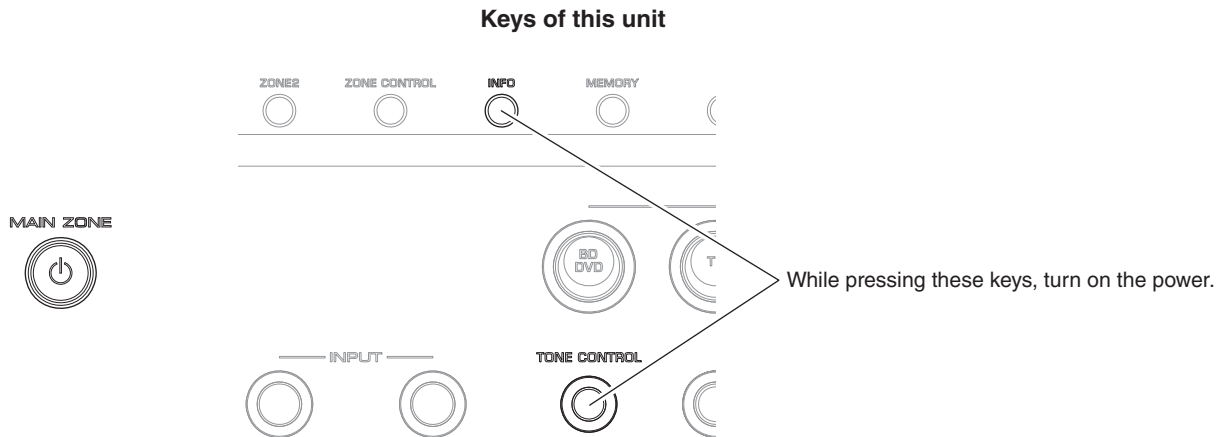
No.	Main menu	No.	Sub-menu
Z: Zone system			
Z1	ZONE TEST	1	AV1
		2	AV2
		3	AV3
		4	AV4
		5	AV5
		6	AV6
		7	AUDIO1
		8	AUDIO2
		9	V-AUX
		10	PHONO
R: Radio and satellite broadcasting system			
R1	SIRIUS (U model)	1	SIRIUS
		2	SR
		3	SSP
		4	MAC
		5	ADP
		6	PRDID
		7	SEQID
U: Universal system			
U1	DOCK	1	DOCK
U2	INVALID ITEM (Not for service)		
U3	INVALID ITEM (Not for service)		
N: Network system			
N1	INVALID ITEM (Not for service)		
C: Communication system			
C1	DIGITAL P.C.B. CHECK	1	ALL
		2	BUS FLASH ROM
		3	BUS FPGA
		4	I2C
		5	FPGA RAM
		6	BUS DIR
		7	BUS DSP1
		8	EEPROM
		9	RS-232C LOOPBACK TEST (RX-A700 model)
		10	INVALID ITEM (Not for service)
C2	HDMI INFO	1	HMN
		2	HID
V: Video system			
V1	ANALOG VIDEO CHECK	1	ANALOG BYPASS
		2	DIGITAL BYPASS
		3	ZONE BYPASS
		4	MUTE CHECK
		5	TEST PATTERN
		6	VIDEO IN

No.	Main menu	No.	Sub-menu
V2	DIGITAL VIDEO CHECK	1	LOOPBACK TEST1
		2	LOOPBACK TEST2
		3	LOOPBACK TEST3
		4	HDMI REPEAT
		5	DIGITAL CVBS
		6	DIGITAL Y/C
		7	DIGITAL COMPONENT
		8	DIGITAL COMPONENT SC
		9	GUI-VIDEO OUT
P: Power and protection system			
P1	SYSTEM MONITOR	1	DC
		2	PS1/PS2
		3	TM
		4	OUTPUT LEVEL
		5	LIMITER CONTROL
		6	L3 (Not for service)
		7	KEY1/KEY2
P2	PROTECTION HISTORY	1	HISTORY 1
		2	HISTORY 2
		3	HISTORY 3
		4	HISTORY 4
S: System and version system			
S1	FIRMWARE UPDATE	1	F/W UPDATE (Not for service)
S2	SET INFORMATION	1	MODEL
		2	DESTINATION
		3	INVALID ITEM (Not for service)
S3	FACTORY PRESET	1	PRESET INH/RSRV
S4	ROM VERSION/CHECKSUM	1	SYSTEM VERSION
		2	MICROPROCESSOR VERSION
		3	MICROPROCESSOR CHECKSUM
		4	FLASH ROM VERSION
		5	FLASH ROM CHECKSUM
		6	VNP2 VERSION (Not for service)
		7	VNP2 CHECKSUM (Not for service)
		8	DSP1 VERSION
		9	DSP1 CHECKSUM
		10	INVALID ITEM (Not for service)
		11	INVALID ITEM (Not for service)
		12	GUI VERSION
		13	FPGA GUI VERSION
		14	FPGA IP VERSION
		15	SIRIUS VERSION
		16	INVALID ITEM (Not for service)
		17	HD RADIO VERSION (Not for service)
S5	INVALID ITEM (Not for service)		

● Starting Self-Diagnostic Function

While pressing the “TONE CONTROL” and “INFO” keys of this unit as shown in the figure below, press the “MAIN ZONE ⏻” (power) key of this unit to turn on the power.

The self-diagnostic function mode is activated.



● Starting Self-Diagnostic Function in the protection cancel mode

If the protection function works and causes hindrance to trouble shoot, cancel the protection function as described below, and it will be possible to enter the self-diagnostic function mode.

(The protection functions other than the excess current detect function will be disabled.)

While pressing the “TONE CONTROL” and “INFO” keys as shown in the figure above, press the “MAIN ZONE ⏻” (power) key to turn on the power and keep pressing those 2 keys for 3 seconds or longer.

The self-diagnostic function mode is activated with the protection functions disabled.

In this mode, the “SLEEP” segment of the FL display of this unit flashes to indicate that the mode is self-diagnostic function mode with the protection functions disabled.

CAUTION!

Using this product with the protection function disabled may cause further damage to this unit. Use special care for this point when using this mode.

● Canceling Self-Diagnostic Function

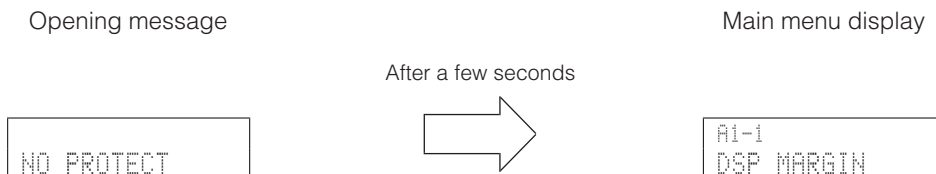
- Before canceling self-diagnostic function, execute setting for FACTORY PRESET of main menu No. S3. (Memory initialization inhibited or Memory initialized).
 - * In order to keep the user memory preserved, be sure to select PRESET INHIBIT (Memory initialization inhibited).
- Press the “MAIN ZONE ⏻” (power) key of this unit to turn off the power.

● Display provided when Self-Diagnostic Function started

The display is as described below depending on the situation the last time the power to this unit is turned off.

1. When the power is turned off by usual operation:

The FL display of this unit displays "NO PROTECT" then the main menu (sub-menu "A1-1. DSP MARGIN" of main menu No. A1 DSP AUDIO) a few seconds later.



2. When the protection function worked to turn off the power:

The FL display of this unit displays the data of protection function which worked at that time then the main menu (sub-menu "A1-1. DSP MARGIN" of main menu No. A1 DSP AUDIO) a few seconds later.

Note: At that time if you reactivate the self-diagnostic function after turning off the power once by pressing the "MAIN ZONE ϕ " (power) key, "NO PROTECT" will be displayed because that situation is equal to "1. When the power is turned off by usual operation:" described above.

However the protection function history is stored in a back-up IC with a backup. For details, refer to main menu P2 PROTECTION HISTORY."

2-1. When there is a history of protection function due to excess current.

The diagram shows a rectangular box containing the text 'I PROTECT'.

Cause: An excessive current flowed through the power amplifier.

Supplementary information: As current of the power amplifier is detected, the abnormal channel can be identified by checking the current detect transistor.

Turning on the power without correcting the abnormality will cause the protection function to work immediately and the power supply will instantly be shut off.

Notes)

- Applying the power to this unit without correcting the abnormality can be dangerous and cause additional circuit damage. To avoid this, if "I PROTECT" protection function works 1 time, the power will not turn on even when the "MAIN ZONE ϕ " (power) key is pressed. In order to turn on the power again, start up the self-diagnostic function.
- The output transistors in each amplifier channel should be checked for damage before applying power to this unit.
- Amplifier current should be monitored by measuring DC voltage across the emitter resistors for each channel.

2-2. When the protection function worked due to abnormal DC output.

DC FRT:xxxH

AD conversion value when the protection function is working

Cause: DC output of the power amplifier is abnormal.

Supplementary information: The protection function worked due to a DC voltage appearing at the speaker terminal. A cause could be a defect in the amplifier.

Turning on the power without correcting the abnormality will cause the protection function to work in 3 seconds and the power supply will be shut off.

2-3. When the protection function worked due to abnormal voltage in the power supply section.

PSx FRT:xxxL

AD conversion value when the protection function is working

Cause: The voltage in the power supply section is abnormal.

Supplementary information: The protection function worked due to a defect or overload in the power supply.

Turning on the power without correcting the abnormality will cause the protection function to work in 1 seconds and the power supply will be shut off.

Notes)

- Applying the power to this unit without correcting the abnormality can be dangerous and cause additional circuit damage. To avoid this, if “PS” and “DC” protection function works 3 times consecutively, the power will not turn on even when the “MAIN ZONE ⏻” (power) key is pressed. In order to turn on the power again, start up the self-diagnostic function.
- The output transistors in each amplifier channel should be checked for damage before applying power to this unit.
- Amplifier current should be monitored by measuring DC voltage across the emitter resistors for each channel.

2-4. When the protection function worked due to excessive heatsink temperature.


TMP PRT:xxxL

AD conversion value when the protection function is working

Cause: The temperature of the heatsink is excessive.

Supplementary information: The protection function worked due to the temperature limit being exceeded. Causes could be poor ventilation or a defect related to the thermal sensor.

Turning on the power without correcting the abnormality will cause the protection function to work in 1 seconds and the power supply will be shut off.

● History of protection function

When the protection function has worked, its history is stored in memory with a backup.

Even if no abnormality is noted while servicing the unit, an abnormality which has occurred previously can be defined as long as the backup data has been stored.

For details, refer to main menu P2 PROTECTION HISTORY.

● Operation procedure of Main menu and Sub-menu

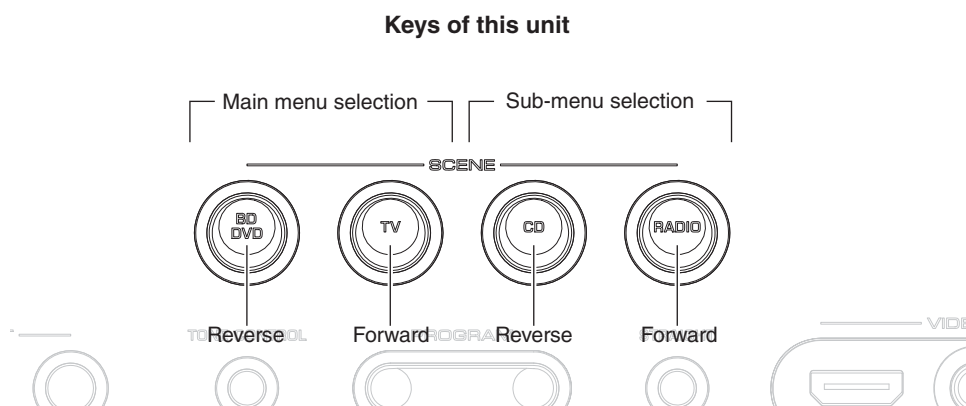
There are 25 main menu items, each of having sub-menu items.

Main menu selection

Select the menu using “SCENE TV” (forward) and “SCENE BD/DVD” (reverse) keys.

Sub-menu selection

Select the sub-menu using “SCENE RADIO” (forward) and “SCENE CD” (reverse) keys.



● Functions in Self-Diagnostic Function mode

In addition to the self-diagnostic function menu items, functions as listed below are available.

- Power ON/OFF
- Master volume
- Muting
- Input selection
- * Functions related to the tuner and the set menu are not available.

● Initial settings used to start Self-Diagnostic Function

The following initial settings are used when starting self-diagnostic function.

When self-diagnostic function is canceled, these settings are restored to those before starting self-diagnostic function.

- Master volume: -20 dB / Zone volume: +2.5dB
- Input: HDMI1 / Zone: AUDIO1
- Main menu: A1-1. DSP MARGIN
- Speaker setting: LARGE, Bass out to SWFR (All channels)
- HDMI Control: Off
- Zone: On

● Details of Self-Diagnostic Function menu

A1. DSP AUDIO

This menu is used to check audio signal route via DSP.

A1-1. DSP MARGIN

The audio signal is output including the head margin via DSP.

Head margin

Front L/R, Center, Surround L/R, Surround Back L/R Presence L/R: +12 dB

Subwoofer: +18 dB

* When input source is stereo, signal is assigned as below.

Front L: Front L, Center, Surround L, Surround Back L, Presence L

Front R: Front R, Surround R, Surround Back R, Presence R

Front L +10 dB: Subwoofer

```
A1-1
DSP MARGIN
```

A1-2. DSP NON MARGIN

The audio signal is output without including the head margin via DSP.

Front L/R / Center / Surround L/R / Surround Back L/R: 0 dB

Subwoofer: -10 dB

```
A1-2
DSP NON MARGIN
```

A1-3. INVALID ITEM

Not for service.

```
A1-3
INVALID ITEM
```

A1-4. INVALID ITEM

Not for service.

```
A1-4
INVALID ITEM
```

A2. DIRECT AUDIO

This menu is used to check audio signal route of PURE DIRECT.

A2-1. ANALOG DIRECT

The analog input audio signal is output to FRONT L/R in PURE DIRECT mode.

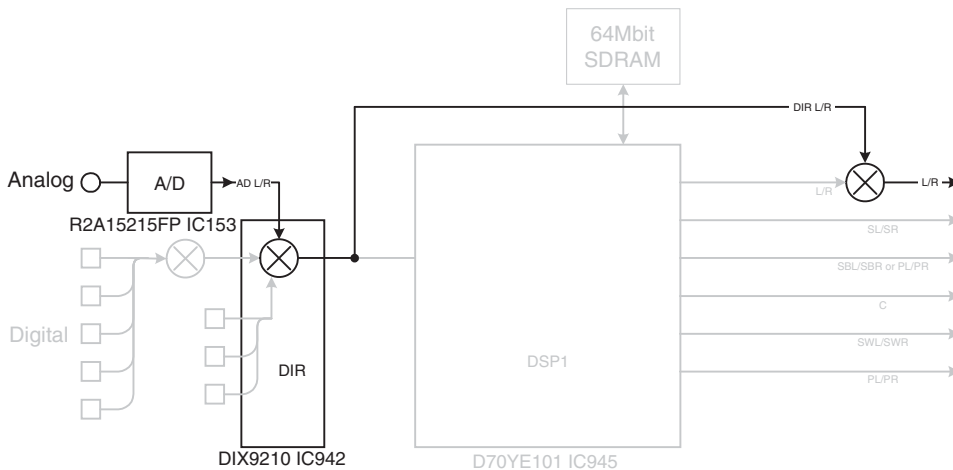
A2-1
ANALOG DIRECT

INPUT: AV5 ANALOG

SPEAKER OUT: 1 kHz, SUBWOOFER OUTPUT: 50 Hz

Input level	Volume	SPEAKERS OUTPUT					SUBWOOFER OUTPUT
		FRONT	CENTER	SURROUND	SURROUND BACK	PRESENCE/ ZONE2	
Both ch, -20 dBm	+6.5 dB	+13.0 dBm	- ∞	- ∞	- ∞	- ∞	- ∞

DSP BYPASS
(ANALOG)

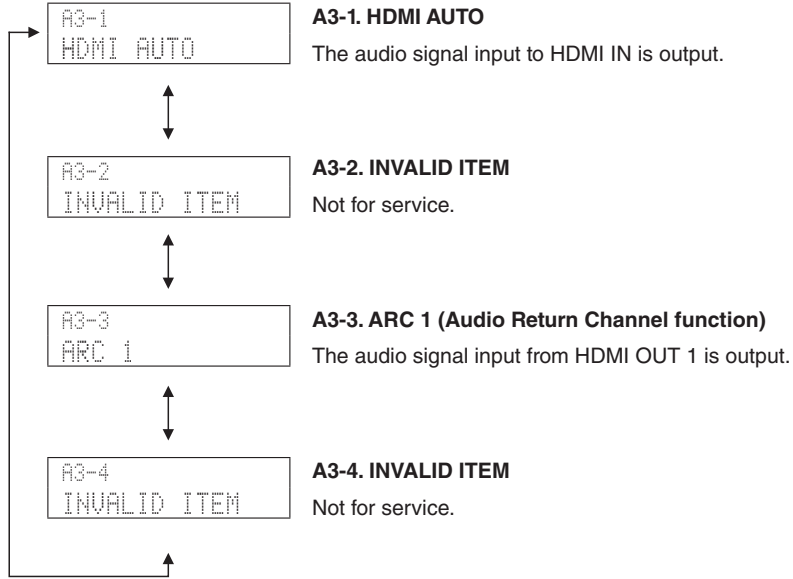


(Shaded items not used in this mode)

A3. HDMI AUDIO

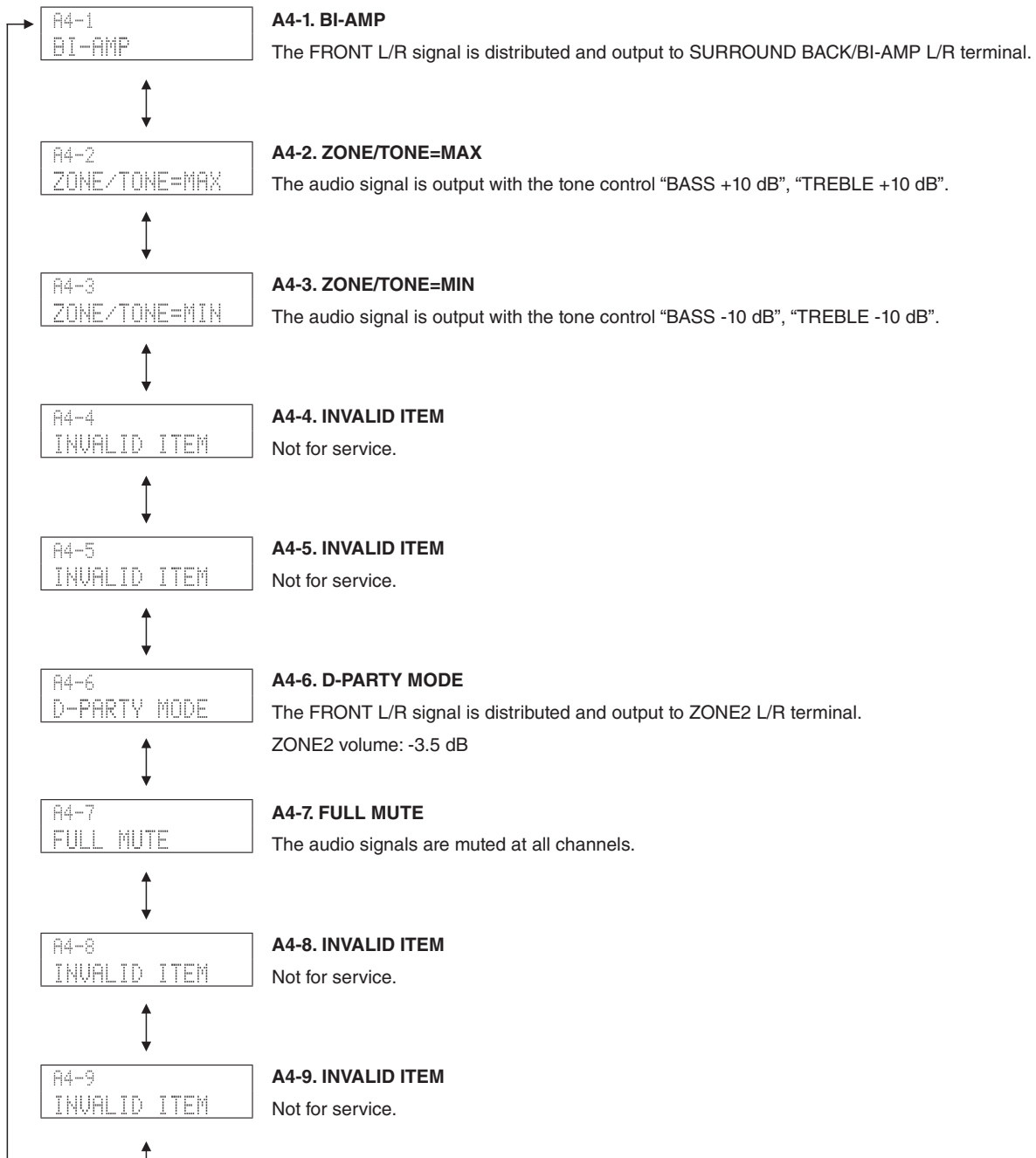
This menu is used to check the route of audio signal input to HDMI IN/OUT.

* Before check using sub-menu A3-3, be sure to connect a TV monitor equipped with Audio Return Channel function to this unit.



A4. SPEAKERS SET

This menu is used to check the speaker output.



INPUT: AV5 ANALOG
SPEAKER OUT: 1 kHz, SUBWOOFER OUTPUT: 50 Hz

Sub-memu	Input level	Volume	SPEAKERS OUTPUT					SUB- WOOFER OUTPUT
			FRONT	CENTER	SURROUND	SURROUND BACK	PRESENCE/ ZONE2	
BI-AMP	Both ch, -20 dBm	+6.5 dB	+13.0 dBm	+13.0 dBm	+13.0 dBm	+13.0 dBm	- ∞	-6.5 dBm
ZONE/TONE=MAX	Both ch, -20 dBm	+6.5 dB	+13.0 dBm	+13.0 dBm	+13.0 dBm	- ∞	+13.0 dBm	-6.5 dBm
ZONE/TONE=MIN	Both ch, -20 dBm	+6.5 dB	+13.0 dBm	+13.0 dBm	+13.0 dBm	- ∞	+13.0 dBm	-6.5 dBm
INVALID ITEM (Not for service)	Both ch, -20 dBm	+6.5 dB	-	-	-	-	-	-
INVALID ITEM (Not for service)	Both ch, -20 dBm	+6.5 dB	-	-	-	-	-	-
D-PARTY MODE	Both ch, -20 dBm	+6.5 dB	+13.0 dBm	+13.0 dBm	+13.0 dBm	- ∞	+13.0 dBm	-6.5 dBm
FULL MUTE	Both ch, -20 dBm	+6.5 dB	- ∞	- ∞	- ∞	- ∞	- ∞	- ∞
INVALID ITEM (Not for service)	Both ch, -20 dBm	+6.5 dB	-	-	-	-	-	-
INVALID ITEM (Not for service)	Both ch, -20 dBm	+6.5 dB	-	-	-	-	-	-

A5. MULTI CHANNEL INPUT

This menu is used to check the route of audio signal input to MULTI CHANNEL INPUT.

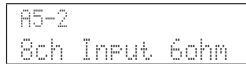
A5-1. 8 CHANNEL INPUT 8 ohms

The audio signal input to MULTI CHANNEL INPUT is output with the speaker impedance “8 ohms” setting.



A5-2. 8 CHANNEL INPUT 6 ohms

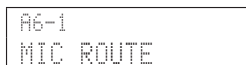
The audio signal input to MULTI CHANNEL INPUT is output with the speaker impedance “6 ohms” setting.



A6. MIC CHECK

A6-1. MIC ROUTE CHECK

The signals input through the YPAO microphone are output to only FRONT L channel via A/D-D/A.

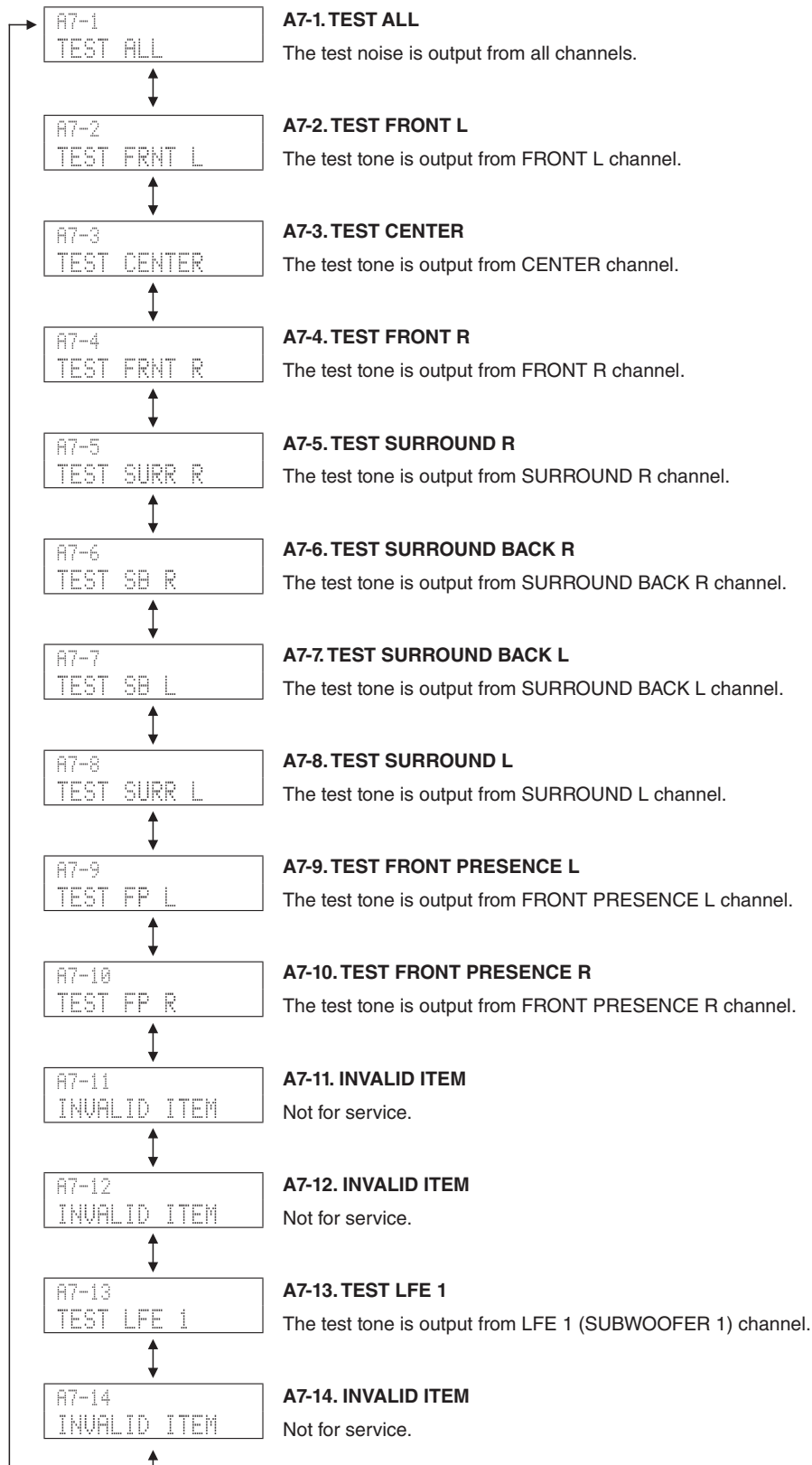


A7. MANUAL TEST

The built-in noise generator of DSP outputs the test noise or test tone through the channels specified by using the sub-menu.

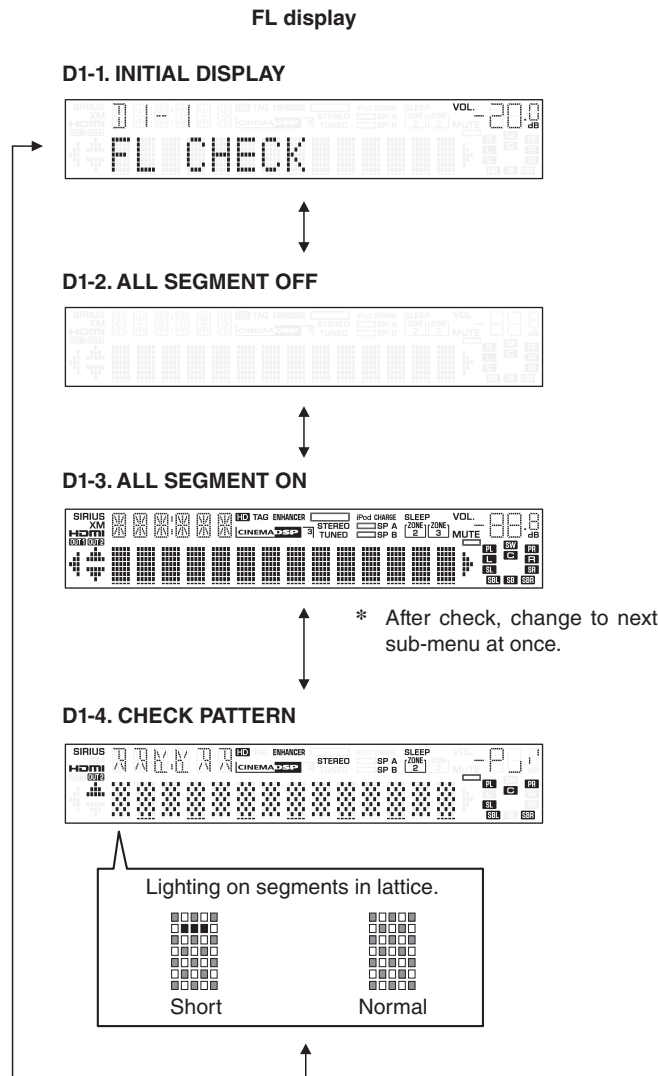
The noise frequency for LFE is 30 to 80 Hz. Other than that, the noise frequency is 500 to 2 kHz.

The tone frequency for LFE is 50 Hz sine wave. Other than that, the tone frequency is 1kHz sine wave.



D1. FL CHECK

This menu is used to check the FL display.



Segment conditions of the FL driver and the FL tube are checked by turning ON and OFF all segments.

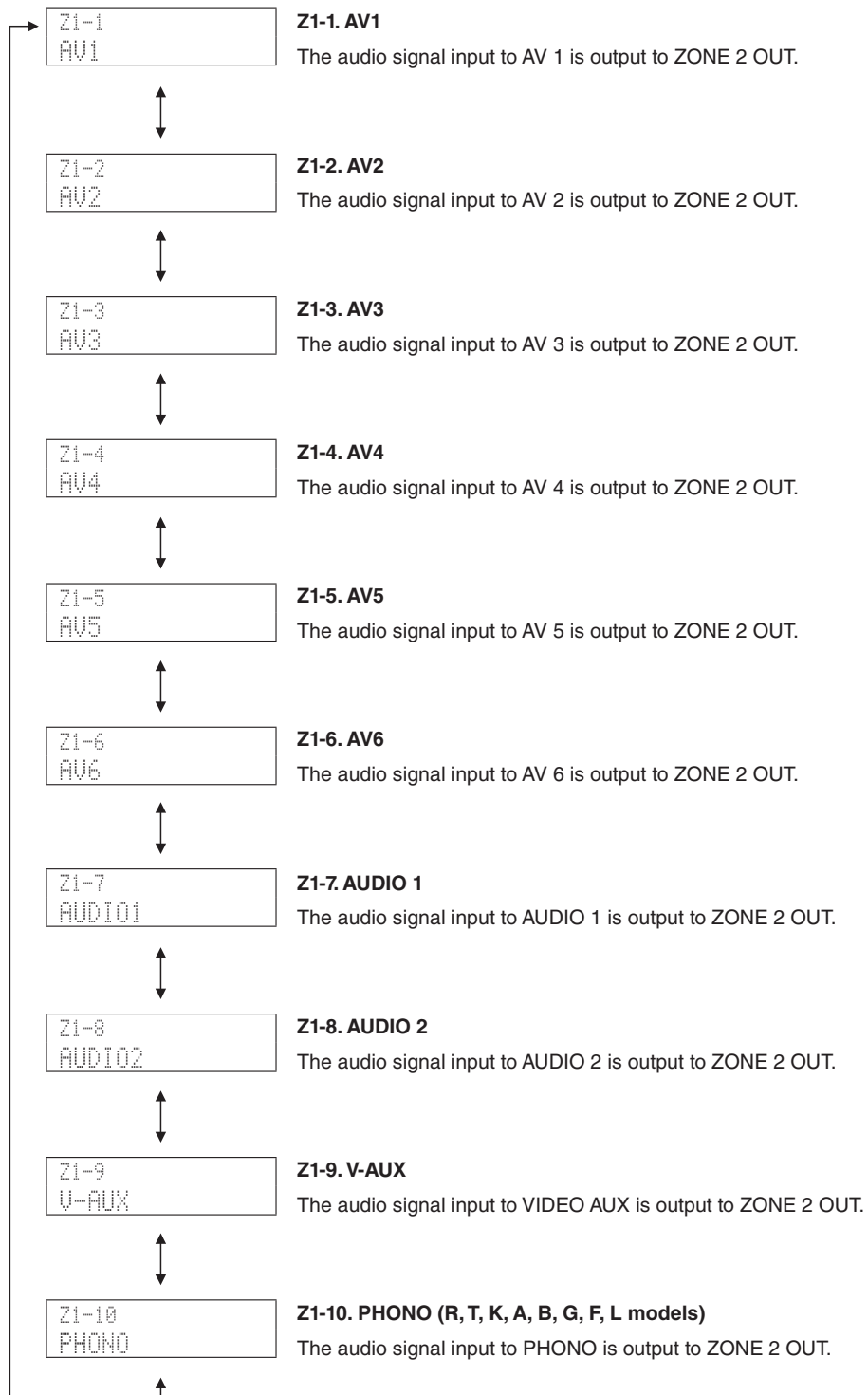
Next, the operation of the FL driver is checked by using the dimmer control.

Then a short between segments next to each other is checked by turning ON and OFF all segments alternately (in lattice).

(In the above example, the segments in the second row from the top are shorted.)

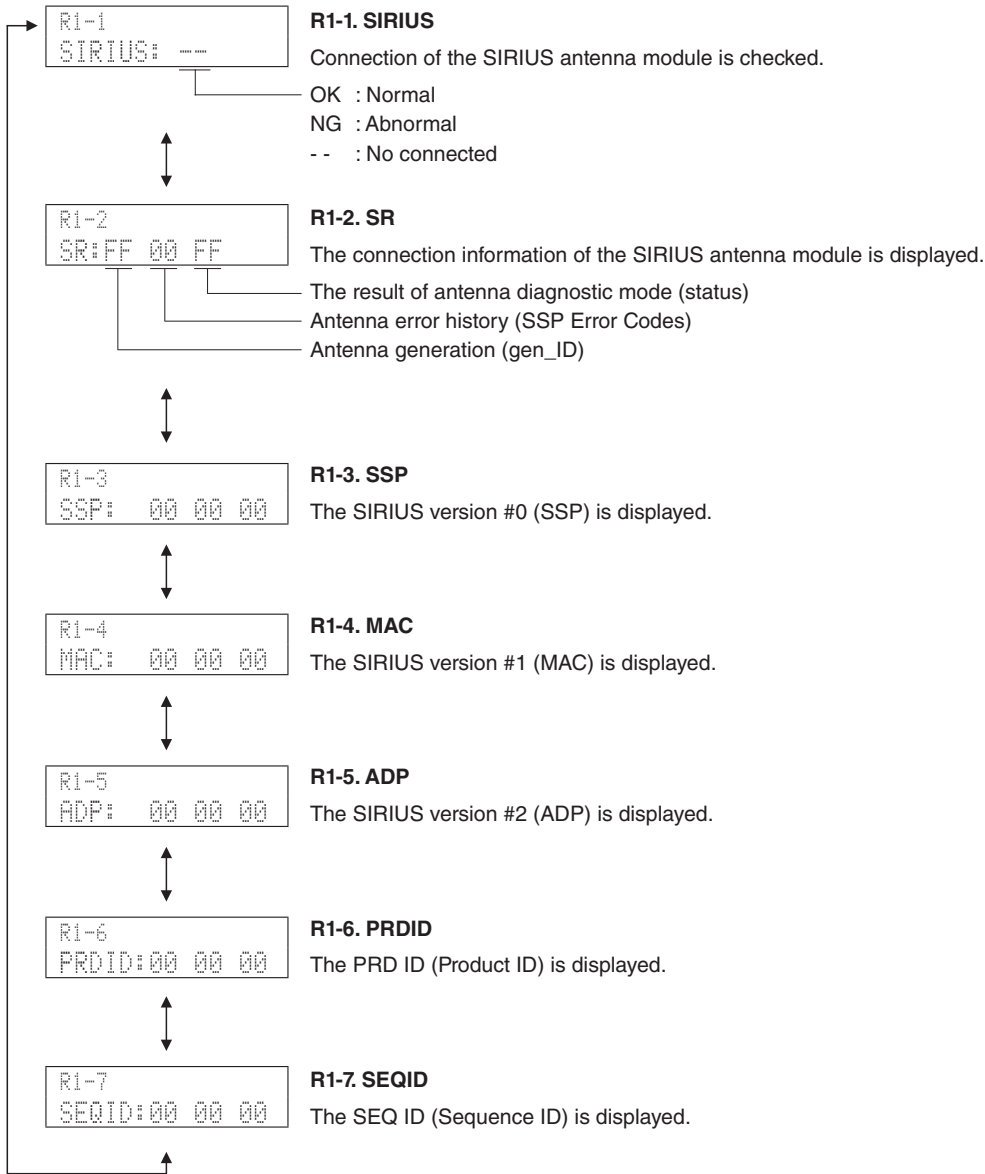
Z1. ZONE TEST

This menu is used to check audio signal route to ZONE 2 OUT.



R1. SIRIUS (U model)

The SIRIUS information are displayed.



U1. DOCK

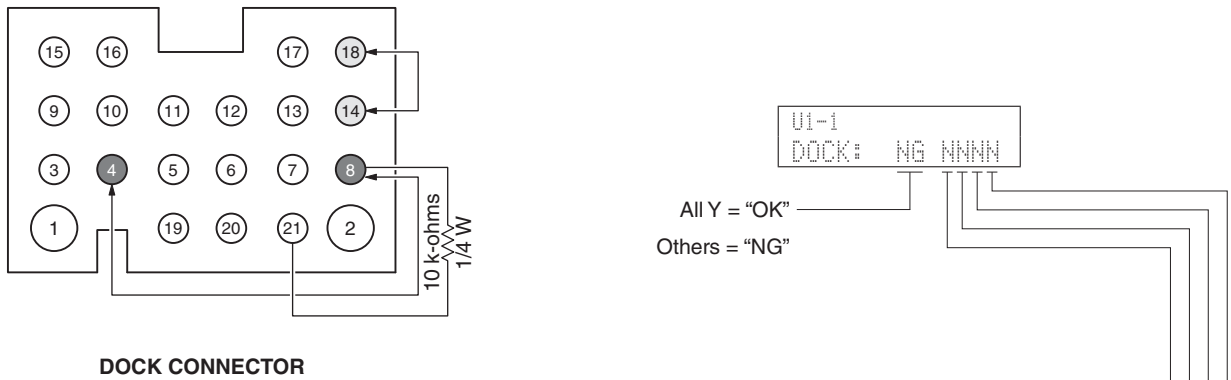
This menu is used to check the DOCK connector without the iPod itself.

With the power to this unit turned off, short between pins No. 14 (TX) and No. 18 (RX), between pins No. 4 (iPDET) and No. 8 (DGND). Also, connect a 10 k-ohms, 1/4 W resistor between pins NO. 21 (DKID) and No. 8 (DGND). (Make sure that the power is turned off when shorting pins.)

Start up the self-diagnostic function and select this menu.

The check result is displayed according to the following display specifications.

Note) Be sure to return the shorted pins to their original condition after executing this test.



Check item	Result		Display
UART loop back test	OK		Y
	NG		N
DOCK_AP (iPod accessory power) detection	-	High = YES	Y
		Low = No	N
DOCK_PON (iPod installation to DOCK) detection	IC904 pin No. 9	Low = installed	Y
		High = not installed	N
DOCK_N_DET (DOCK ID) detection	IC908 pin No. 34	10 k-ohms, 1/4 W pull down	Y
		Other	N

U2. INVALID ITEM

Not for service.



U3. INVALID ITEM

Not for service.



N1. INVALID ITEM

Not for service.

**C1. DIGITAL P.C.B. CHECK**

This menu is used to check the communication and bus line connection between devices on the DIGITAL P.C.B..

C1-1. ALL

The synthetic judgment result of sub-menu C1-2. to C1-9 is displayed.

- OK : No error detected
- NG : An error is detected

```

C1-1
ALL:OK
  
```

C1-2. BUS FLASH ROM

Reading/writing FLASH ROM (IC951) are checked.

- OK : No error detected
- NG : An error is detected

```

C1-2
BUS_FLASH:OK
  
```

C1-3. BUS FPGA

Communication and bus line connection between microprocessor (IC908) and FPGA (IC64) are checked.

- OK : No error detected
- NG : An error is detected

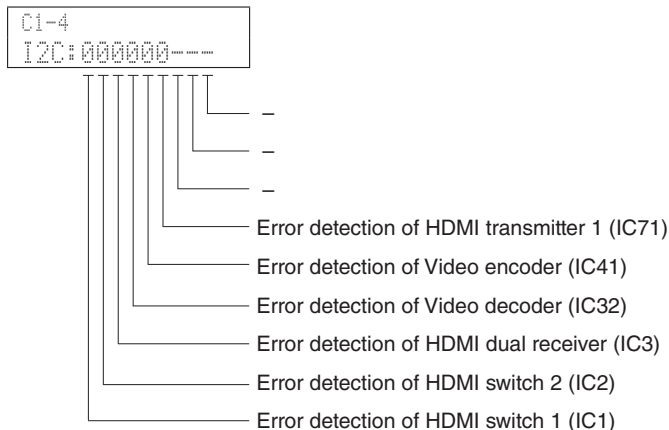
```

C1-3
BUS_FPGA:OK
  
```


C1-4. I2C

The I2C (Inter integrated route) bus line connection is checked.

- 0 : No error detected
- 1 : An error is detected



C1-5. FPGA RAM

Reading/writing SDRAM (IC62) are checked.

- OK : No error detected
- NG : An error is detected



C1-6. BUS DIR

Communication and bus line connection between microprocessor (IC908) and DIR (IC42) are checked.

- OK : No error detected
- NG : An error is detected



C1-7. BUS DSP1

Communication and bus line connection between microprocessor (IC908) and DSP1 (IC945) are checked.

- OK : No error detected
- NG : An error is detected



C1-8. EEPROM

The Read check of EEPROM (IC903) are executed.

- OK : No error detected
- NG : An error is detected

```
C1-8
EEPROM:OK
```

C1-9. RS-232C LOOPBACK TEST (RX-A700 model)

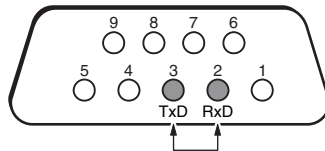
Transmission of the RS-232C terminal is checked. "OK" appears when the data is transmitted properly and "NG" when it is not.

With the power to this unit turned off, short between pins No. 2 (RxD) and No. 3 (TxD) of the RS232C terminal. (Be sure to turn off the power when shorting the pins.)

Start up the self-diagnostic function and select this menu.

```
C1-9
232C DATA:OK
```

RS-232C terminal



C1-10. INVALID ITEM

Not for service.

```
C1-10
INVALID ITEM
```

C2. HDMI INFORMATION

This menu is used to display information about HDMI.

C2-1. HDMI model name

The model name of this unit written in HDMI module is displayed.

- RX-V667
- HTR-6063
- RX-A700

```
C2-1
HMN:RX-V667
```

C2-2. HDMI product ID

The product ID of this unit written in HDMI module is displayed.

- RX-V667 : 314B
- HTR-6063 : 314C
- RX-A700 : 3155

```
C2-2
HID:314B
```

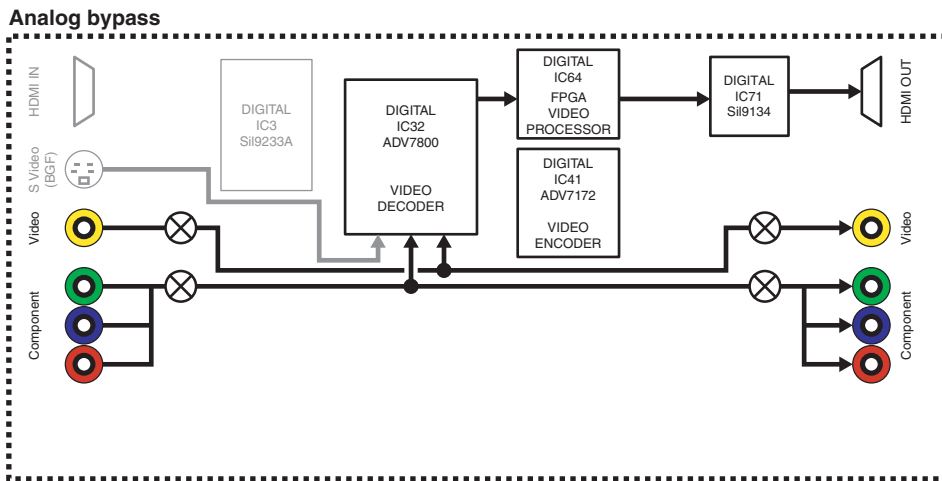
V1. ANALOG VIDEO CHECK

This menu is used to check the analog video signal route.

V1-1. ANALOG BYPASS

The video signal is converted and output as shown below.

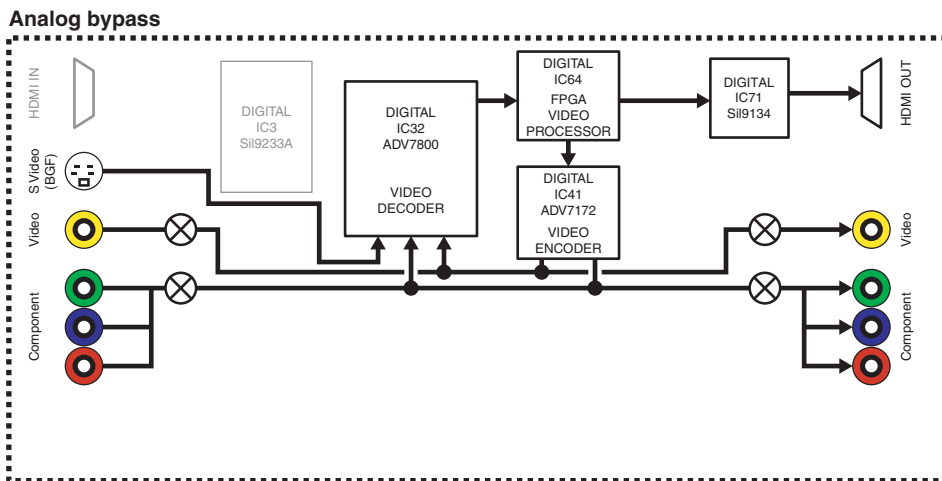
V1-1
ANALOG BYPASS



V1-2. DIGITAL BYPASS

The video signal is converted and output as shown below.

V1-2
DIGITAL BYPASS



V1-3. ZONE BYPASS

Not for service.



V1-4. MUTE CHECK

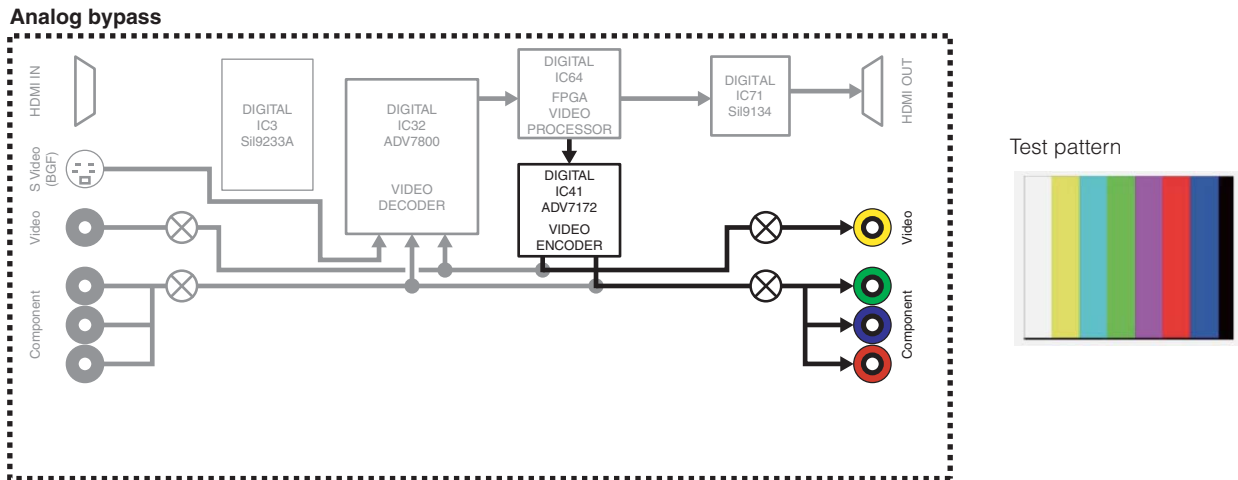
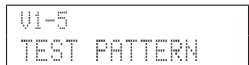
The video signal is muted.

MUTE signals "VID_N_MMT" (8 pin), "CPNT_N_VMT" (12 pin) and "VID_N_RMT" (17 pin) are output from the IC of the VIDEO P.C.B..



V1-5. TEST PATTERN

The test pattern is output from video encoder (IC41 of the DIGITAL P.C.B.).



V1-6. VIDEO INFORMATION

The information of input analog video signals is displayed.



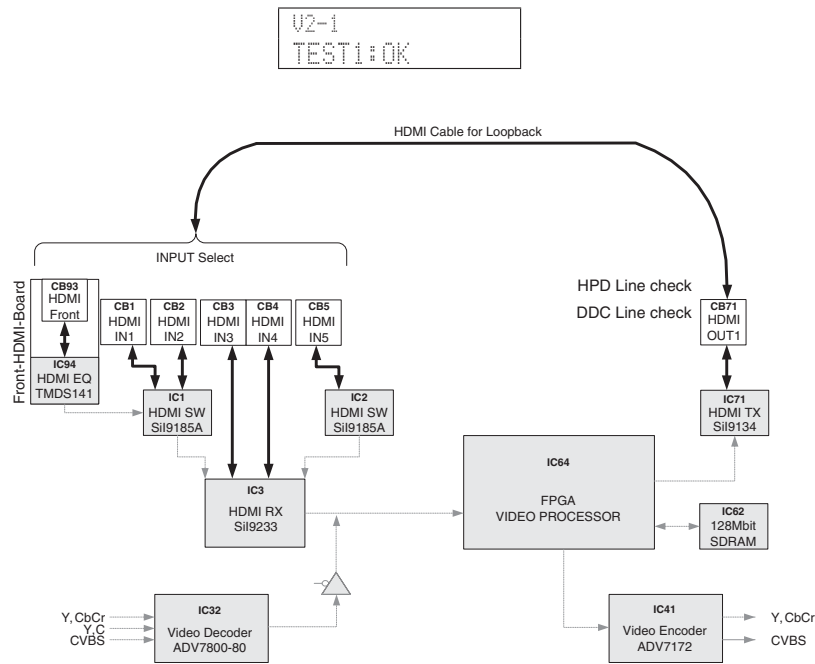
V2. DIGITAL VIDEO CHECK

This menu is used to check the digital video signal route.

Before checks using sub-menu V2-1 and V2-2, connect between HDMI OUT and HDMI IN terminals of this unit with an HDMI cable in advance.

V2-1. LOOPBACK TEST 1

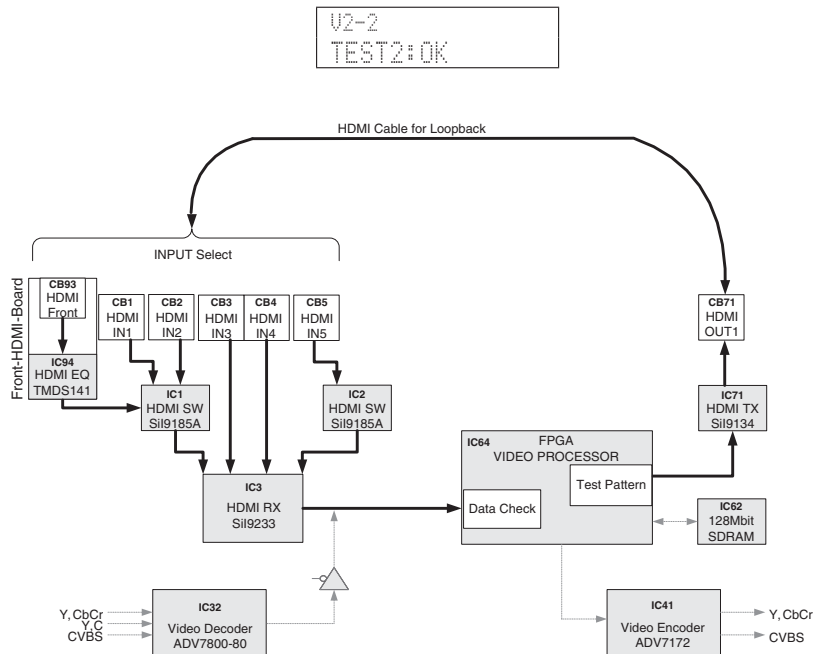
The video signal route as shown below is checked automatically and result (OK or NG) is displayed.



V2-1
TEST1:OK

V2-2. LOOPBACK TEST 2

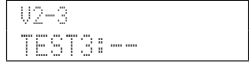
The video signal route as shown below is checked automatically and result (OK or NG) is displayed.



V2-2
TEST2:OK

V2-3. LOOPBACK TEST 3

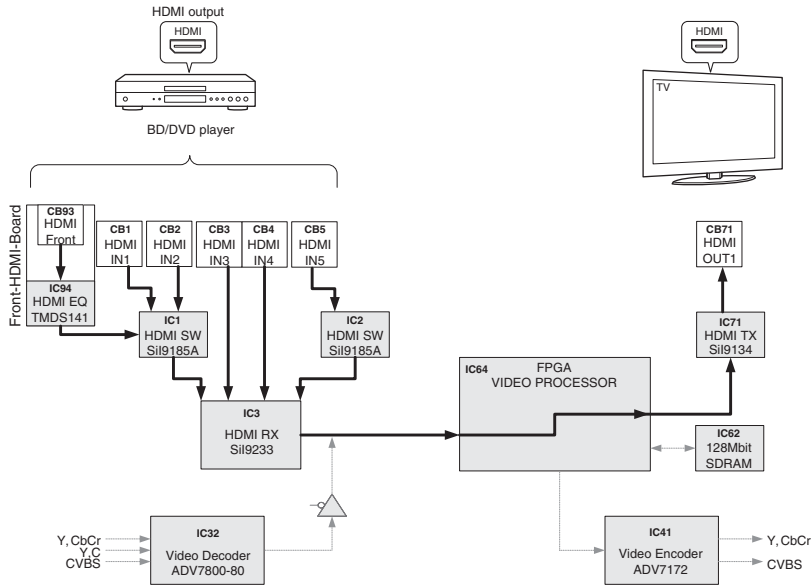
Not for service.



V2-4. HDMI REPEAT

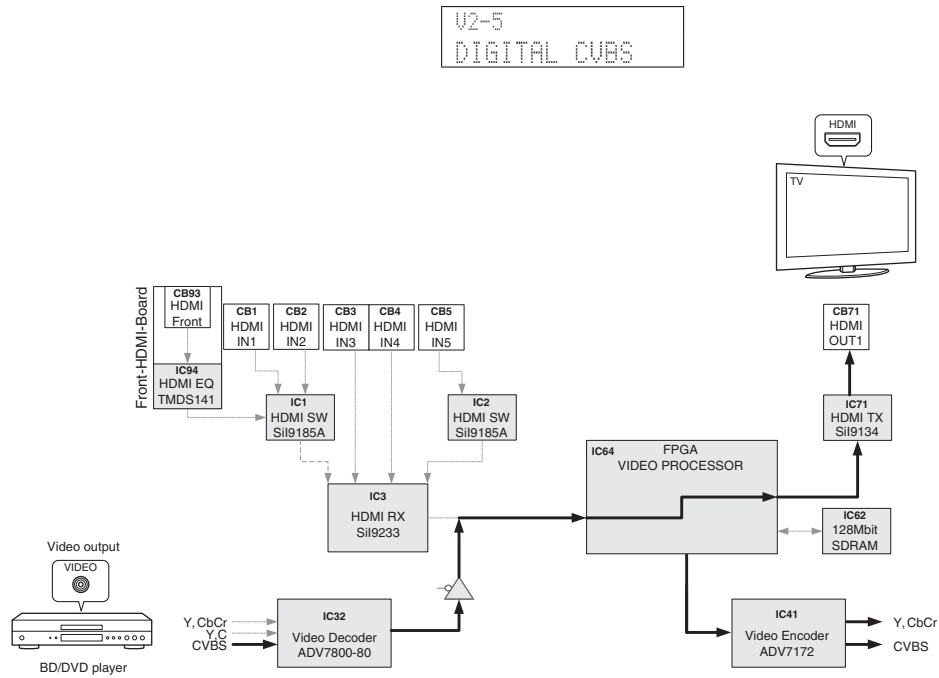
* Before check using sub-menu V2-4, disconnect the HDMI cable connected between HDMI OUT and HDMI IN terminals of this unit.

The video/audio signals input to HDMI IN terminal are output to HDMI OUT terminal.



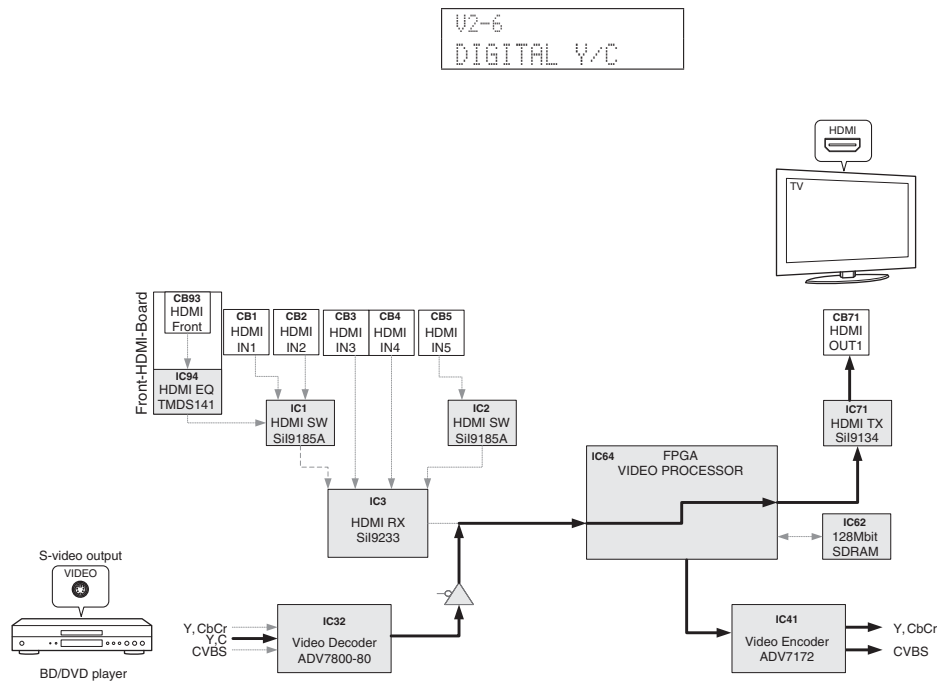
V2-5. DIGITAL CVBS

The video (CVBS) signal is converted and output as shown below.



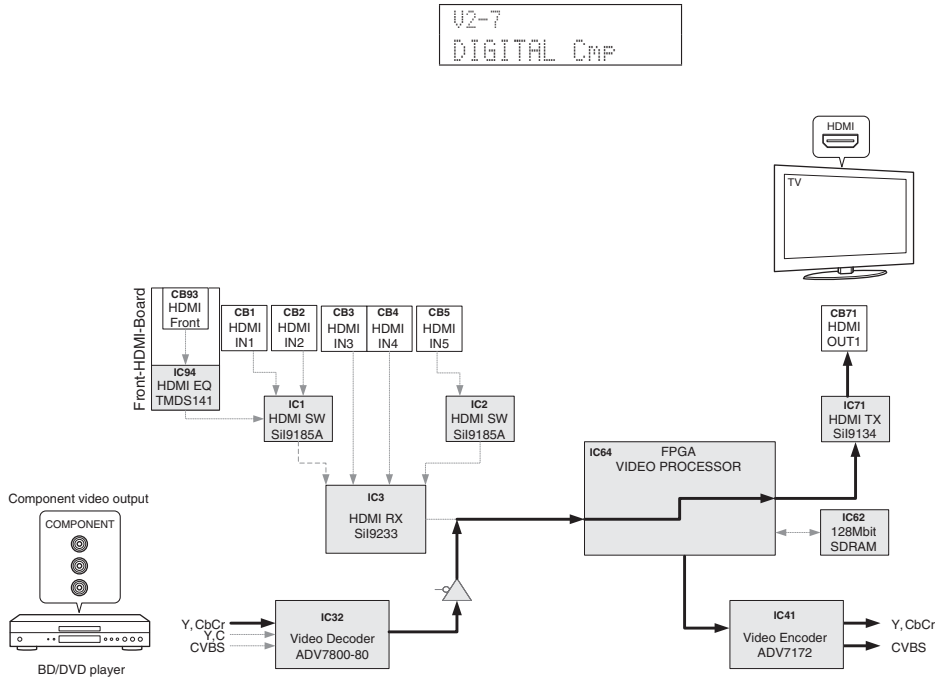
V2-6. DIGITAL Y/C (B, G, F models)

The s-video (Y, C) signal is converted and output as shown below.



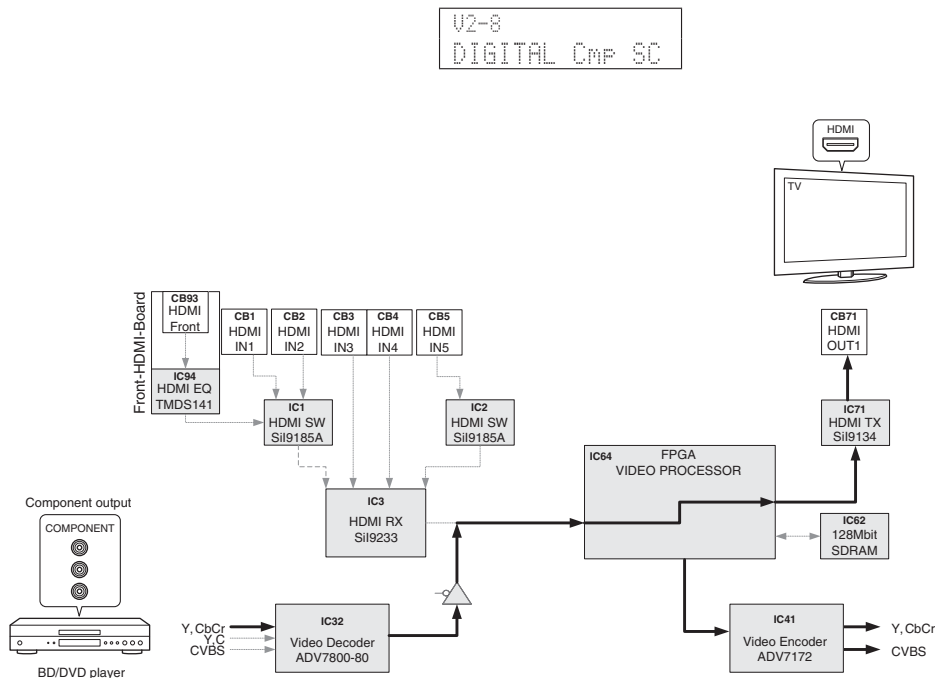
V2-7. DIGITAL COMPONENT

The component video (Y, Cb, Cr) signal is converted and output as shown below.



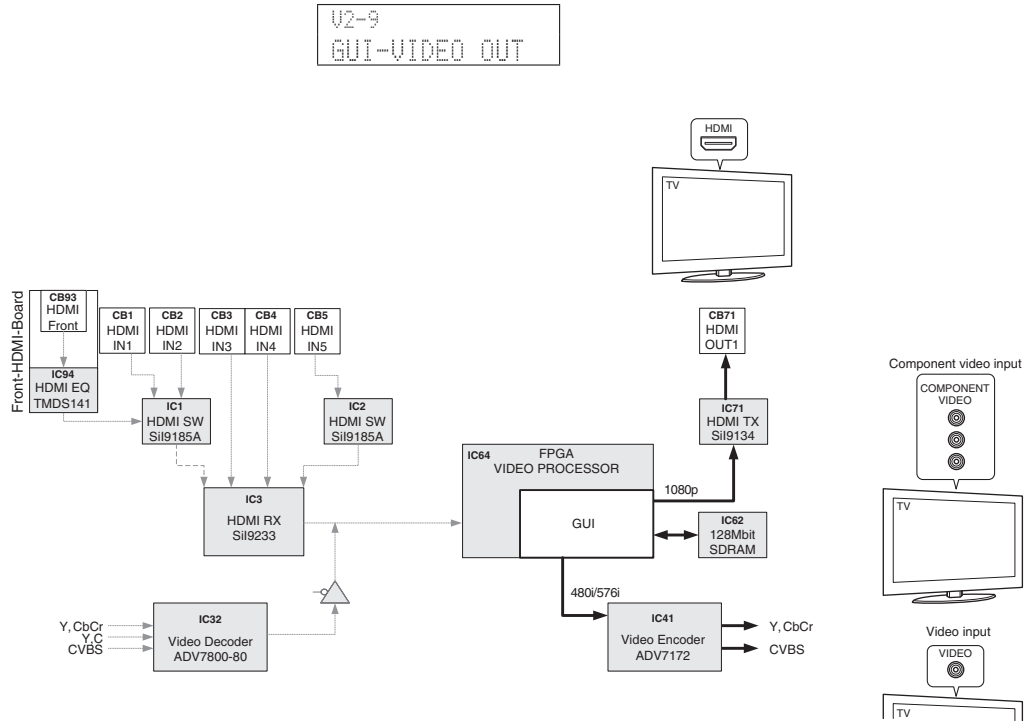
V2-8. DIGITAL COMPONENT SC

The component video (Y, Cb, Cr) signal is converted and output as shown below.
HDMI video output up-scaling: 480i/p, 576i/p => 1080p



V2-9. GUI-VIDEO OUT

The GUI from FPGA (IC64 of the DIGITAL P.C.B.) is output.



P1. SYSTEM MONITOR

This menu is used to display the A/D conversion value of the microprocessor which detects panel keys of this unit and protection functions by using the sub-menu.

When "P1-7. KEY1/KEY2" sub-menu is selected, keys become non-operable due to detection of the values of all keys. However, it is possible to advance to the next sub-menu by pressing the "SCENE RADIO" (forward) or "SCENE CD" (reverse) key of the remote control.

* Numeric values in the figure are given as reference only.

P1-1. DC

DC: Power amplifier DC (DC voltage) output is detected.

The voltage at 1 pin (DC_PRT) of IC902 is displayed.

Normal value: 32 to 74 (Reference voltage: 3.3 V=255)

* If DC becomes out of the normal value range, the protection function works to turn off the power.



P1-2. PS1/PS2

Power supply voltage protection detection

The voltage at 2 pin (PS1_PRT)/1 pin (PS2_PRT) of IC902 are displayed.

Voltage detects:

PS1: ACBH, ACBL, AC_12, AC-5, ± 12 , ± 7 , +3.3D, +1.8D

PS2: +5I and -5V

Normal value

PS1: 38 to 141

PS2: 34 to 138 (Normal), 120 to 224 (PURE DIRECT mode)
(Reference voltage: 3.3 V=255)

* If PS1 or PS2 becomes out of the normal value range, the protection function works to turn off the power.

```
P1-2
PS: 90 / 88
```

P1-3. TM

TM: Temperature of the heatsink is detected.

The voltage at 2 pin (TMH1) of IC902 is displayed.

Normal value: 42 to 255 (U, R, T, K, A, B, G, F, L models)
116 to 255 (C model)

(Reference voltage: 3.3 V=255)

* If TM becomes out of the normal value range, the protection function works to turn off the power.

```
P1-3
TM: 111
```

P1-4. OUTPUT LEVEL

Output level of speaker output is detected.

The voltage at 4 pin (AMP_OLV) of IC901 is displayed.

(Reference voltage: 3.3 V=255)

```
P1-4
OUTLVL: 255
```

P1-5. LIMITER CONTROL

Power limiter control is detected.

The voltage at 4 pin (AMP_OLV) of IC901 is displayed.

(Reference voltage: 3.3 V=255)

```
P1-5
LMTCNT: 255
```

P1-6. L3 (J model)

Not for service.

```
P1-6
L3: 0
```

P1-7. KEY1/KEY2

Panel key of this unit is detected.

When the A/D conversion value of the panel key becomes out of the specified range, normal operation will not be available.

In that case, check the constant of voltage dividing resistor, solder condition, etc. Refer to table.

* When "P1-7. KEY1/KEY2" sub-menu is selected, keys become non-operable due to detection of the values of all keys. However, it is possible to advance to the next sub-menu by pressing the "SCENE RADIO" (forward) or "SCENE CD" (reverse) key of the remote control.

(Reference voltage: 3.3 V=255)

```
P1-7
KY: 255 / 255
```

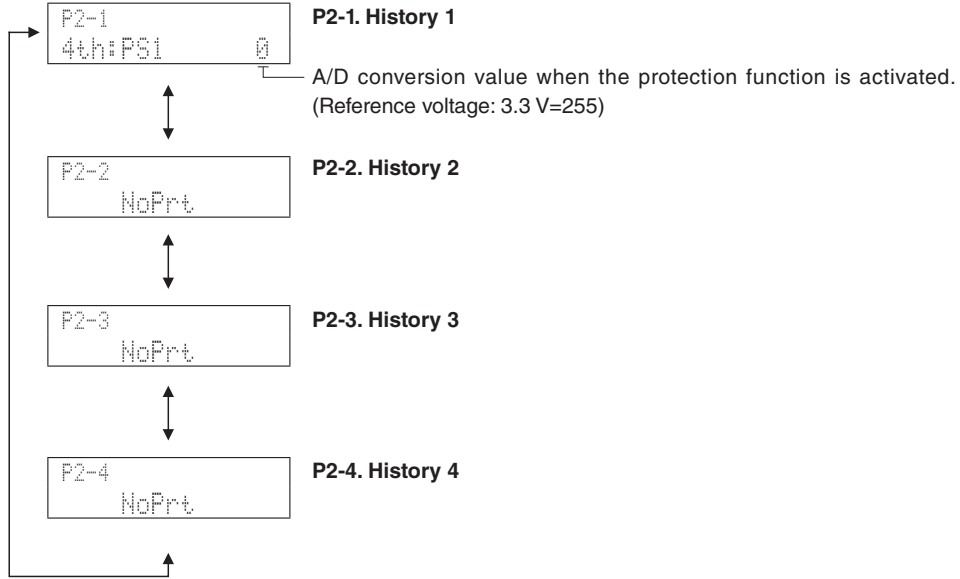
Display	KY1	Display	KY2
0 - 11	RADIO (SCENE4)	0 - 11	-
12 - 32	CD (SCENE3)	12 - 32	TUNING >>
33 - 54	TV (SCENE2)	33 - 54	TUNING <<
55 - 75	BD/DVD (SCENE1)	55 - 77	AM
76 - 96	ZONE2 CONTROL	78 - 99	FM
97 - 119	ZONE2 ON/OFF	100 - 121	PRESET >
120 - 142	INPUT >	122 - 144	PRESET <
143 - 163	INPUT <	145 - 166	MEMORY
182 - 197	MAIN ZONE ⏻ (power)	167 - 186	INFO
198 - 209	ZONE CONTROL	187 - 205	STRAIGHT
255	Key off	206 - 226	PROGRAM >
		227 - 246	PROGRAM <
		255	Key off

P2. PROTECTION HISTORY

This menu is used to display the history of protection function.

All history of protection function will be erased by pressing the "STRAIGHT" key.

* Numeric values in the figure are given as reference only.



S1. F/W UPDATE

Not for service.

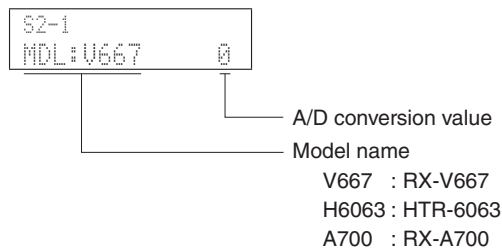


S2. SET INFORMATION

The model name and destination values are displayed.

S2-1. MODEL

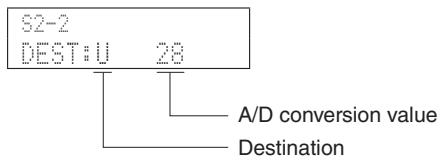
The model name of this unit is displayed.



Model name	RX-V667	RX-A700	HTR-6063
A/D conversion value (3.3 V=255)	0-10	11-33	34-54

S2-2. DESTINATION

The destination of this unit is displayed.



Destination	U	C	R	T	K	A	B, G, F	L
A/D conversion value (3.3 V=255)	13-40	41-67	68-92	93-115	116-140	141-182	183-221	222-244

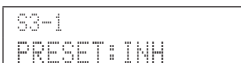
S2-3. DEBAG

Not for service.



S3. FACTORY PRESET

This menu is used to reserve/inhibit initialization of the back-up IC (EEPROM: IC903 of the DIGITAL P.C.B.).



S3-1. PRESET INHIBIT (Initialization inhibited)

Initialization of the back-up IC is not executed. Select this sub-menu to protect the values set by the user.



S3-2. PRESET RESERVED (Initialization reserved)

Initialization of the back-up IC is reserved. (Actual initialization is executed the next time the power is turned on.) To reset to the original factory settings or to reset the backup IC, select this sub-menu and press the "MAIN ZONE ⏻"(power) key to turn off the power. Any protection history also will be initialized at the same time.

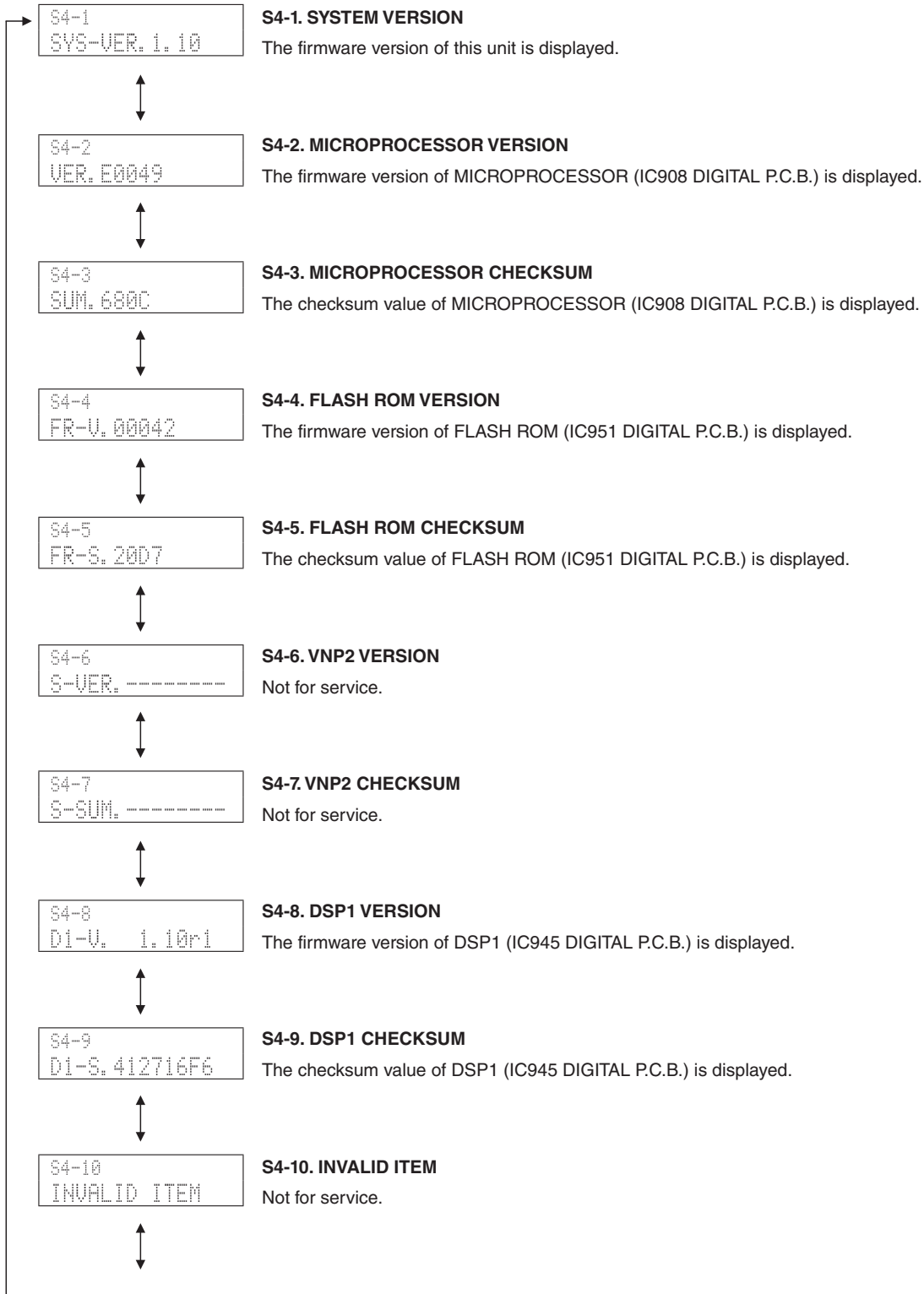
CAUTION: Before setting to the PRESET RESERVED, write down the existing preset memory content of the tuner. (This is because setting to the PRESET RESERVED will cause the user memory content to be erased.)

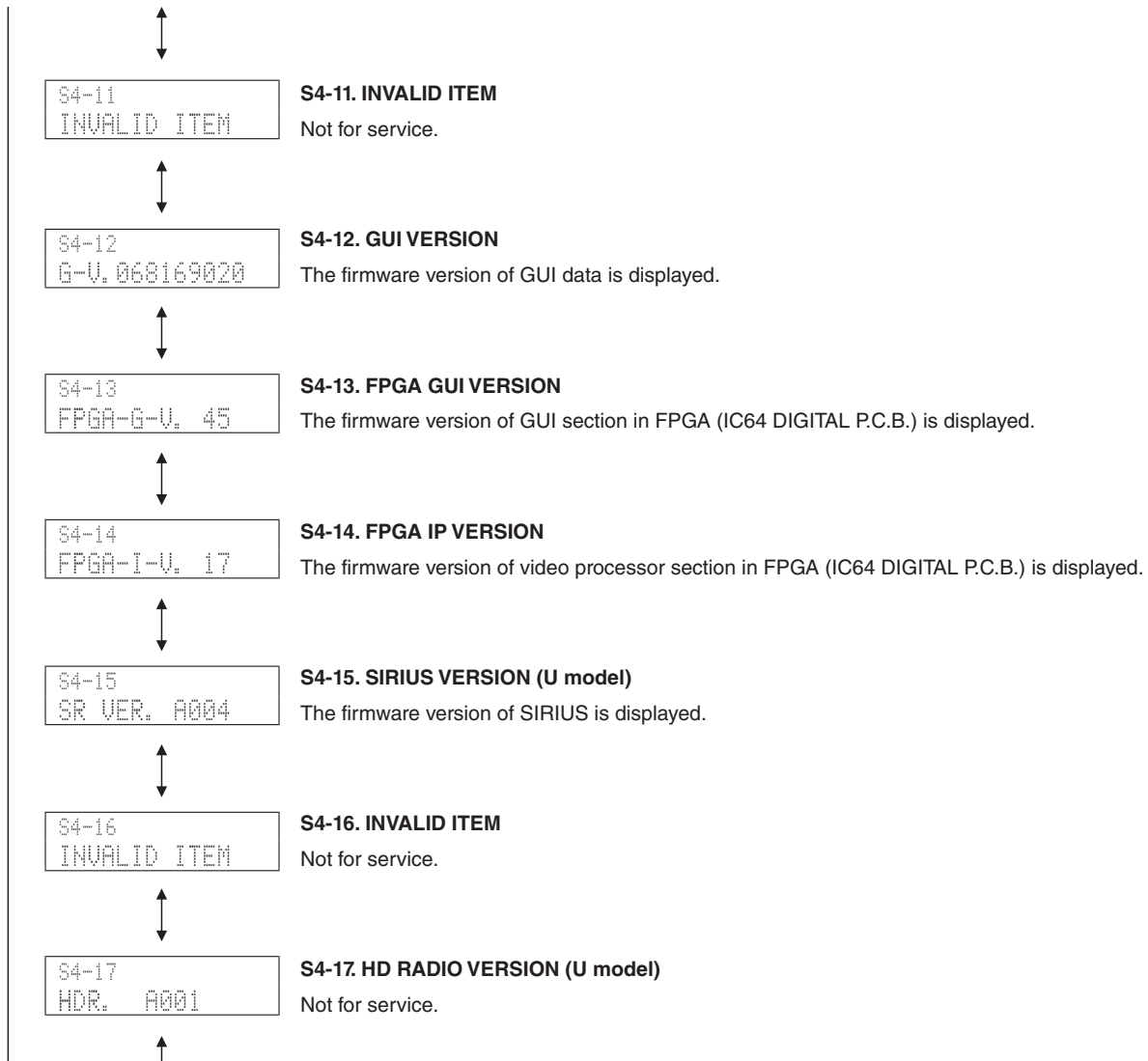
S4. ROM VERSION/CHECKSUM

The firmware version and checksum values are displayed.

The checksum is obtained by adding the data at every 8-bit and expressing the result as a 4-figure hexadecimal notation.

* Numeric values in the figure are given as reference only.



**S5. INVALID ITEM**

Not for service.

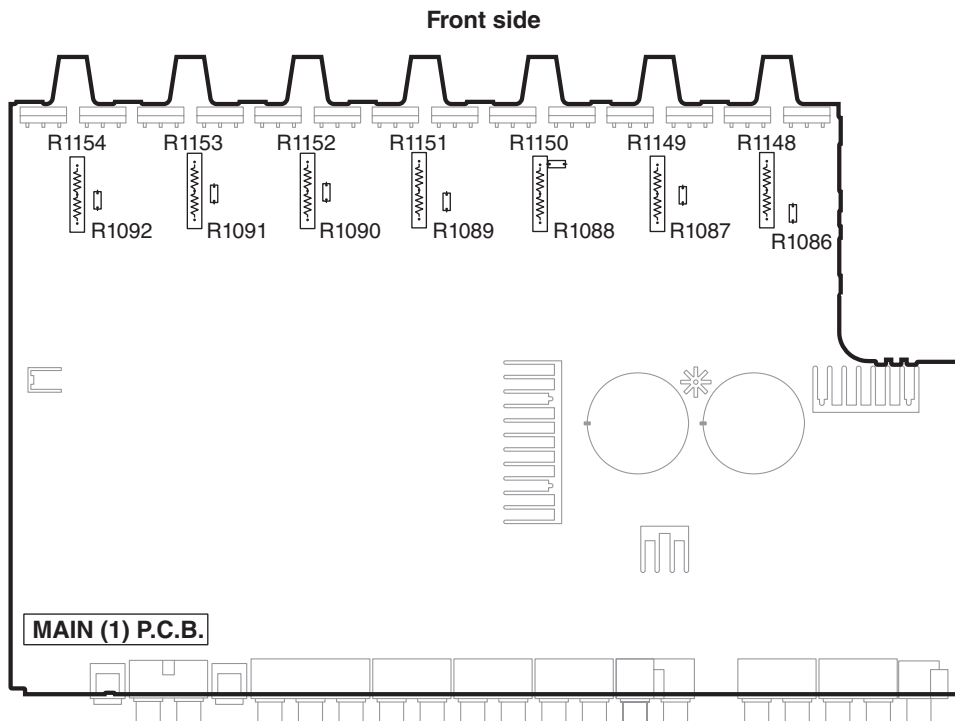
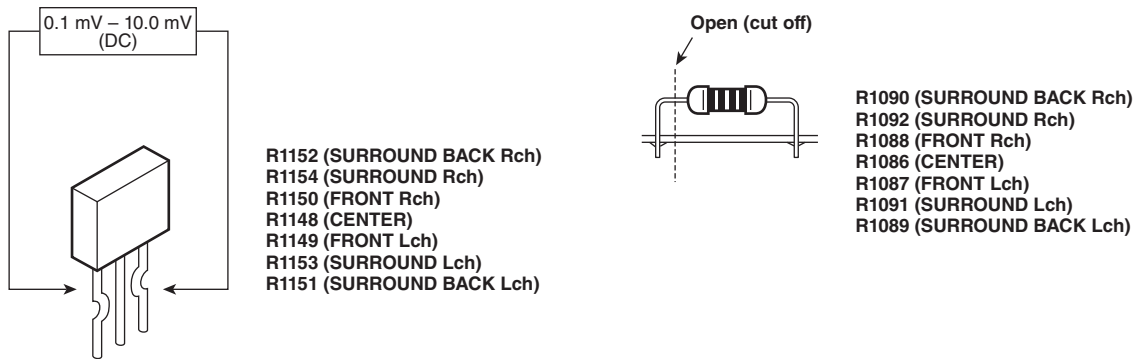
■ CONFIRMATION OF IDLING CURRENT OF AMP UNIT

- Right after power is turned on, confirm that the voltage across the terminals of R1152 (SURROUND BACK Rch), R1154 (SURROUND Rch), R1150 (FRONT Rch), R1148 (CENTER), R1149 (FRONT Lch), R1153 (SURROUND Lch), R1151 (SURROUND BACK Lch) are between 0.1 mV and 10.0 mV.
- If it exceeds 10.0 mV, open (cut off) R1090 (SURROUND BACK Rch), R1092 (SURROUND Rch), R1088 (FRONT Rch), R1086 (CENTER), R1087 (FRONT Lch), R1091 (SURROUND Lch), R1089 (SURROUND BACK Lch) and reconfirm the voltage.

Attention

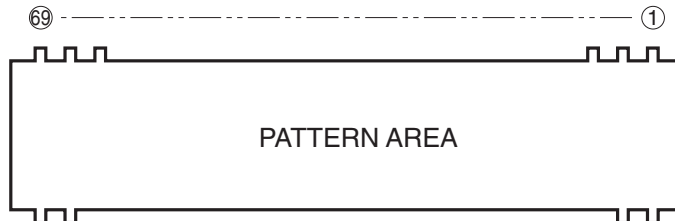
If the measured voltage exceeds 10.0 mV after an amplifier repair, first check for a defective component before cutting the bias resistor.

- Confirm that the voltage is 0.2 mV to 15.0 mV after 60 minutes.



■ DISPLAY DATA

● V4001 : HNA-18MM02T (OPERATION P.C.B.)



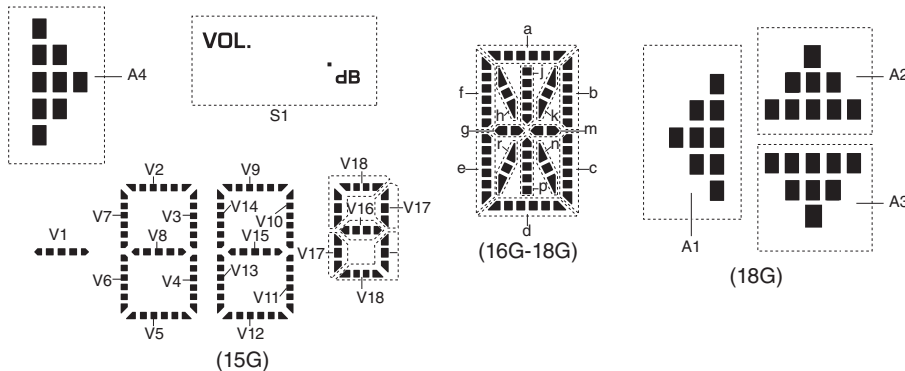
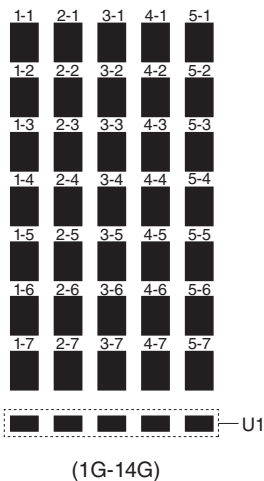
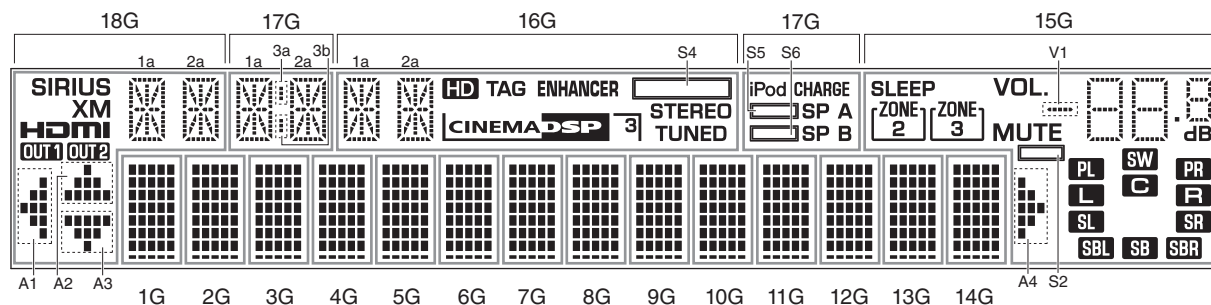
● PIN CONNECTION

Pin No.	69	68	67	66	65	64	63	62	61	60	59	58	57	56	55	54	53	52	51	50	49	48	47	46	45	44	43	42	41	40	39	38	37	36	35
Connection	F2	F2	NP	NP	P1	P2	P3	P4	P5	P6	P7	P8	P9	P10	P11	P12	P13	P14	P15	P16	P17	P18	P19	P20	P21	P22	P23	P24	P25	P26	P27	P28	P29	P30	P31

Pin No.	34	33	32	31	30	29	28	27	26	25	24	23	22	21	20	19	18	17	16	15	14	13	12	11	10	9	8	7	6	5	4	3	2	1
Connection	P32	P33	P34	P35	P36	NX	NX	NX	NX	NX	NX	NX	18G	17G	16G	15G	14G	13G	12G	11G	10G	9G	8G	7G	6G	5G	4G	3G	2G	1G	NP	NP	F1	F1

Note : 1) Fn Filament pin 2) nG Grid pin 3) Pn Anode pin 4) NP No pin 5) NX No extended pin

● GRID ASSIGNMENT



● ANODE CONNECTION

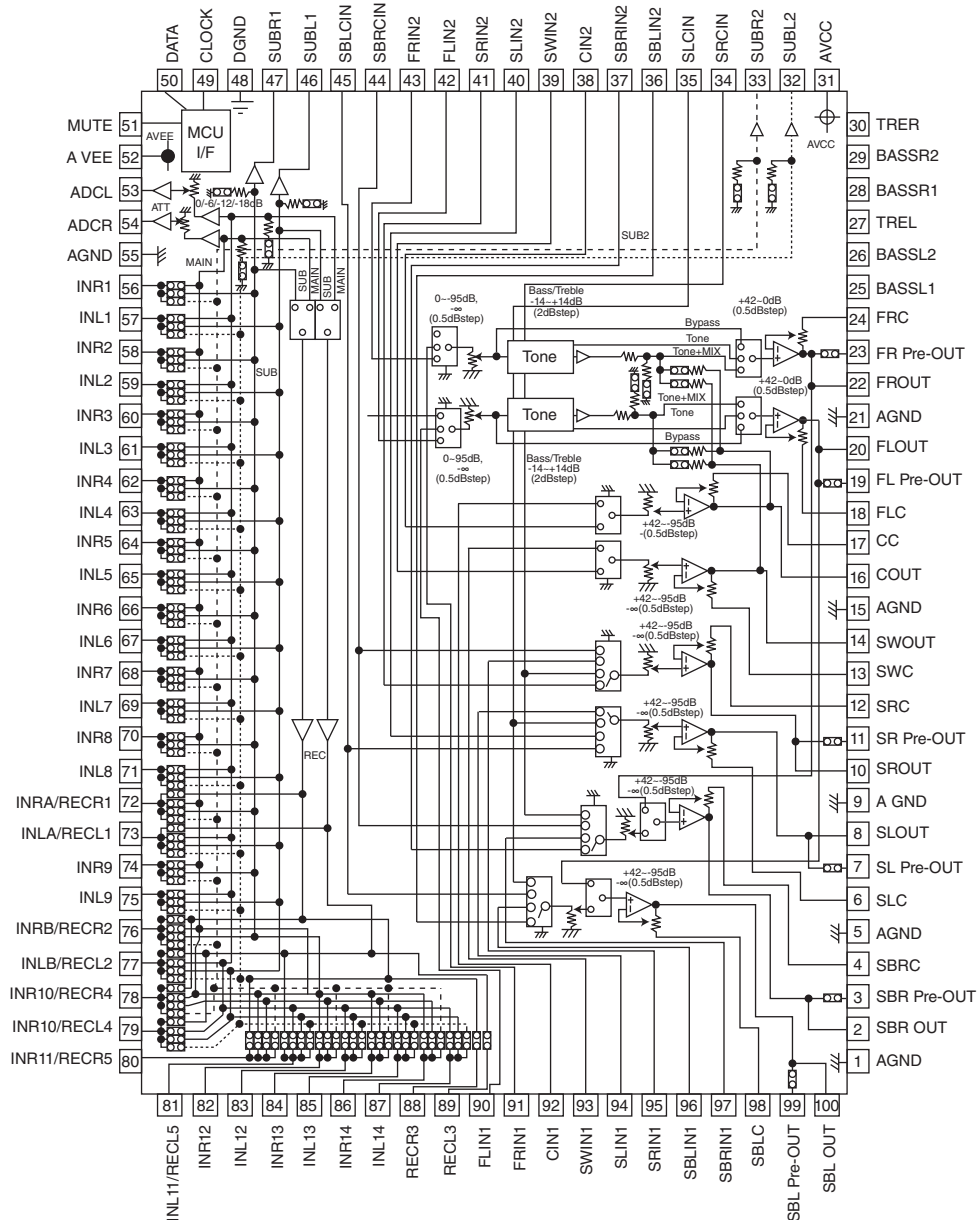
	18G	17G	16G	15G	14G-1G
P1	1a	1a	1a	S1	1-1
P2	1h	1h	1h	V1	2-1
P3	1j	1j	1j	1d	3-1
P4	1k	1k	1k	2d	4-1
P5	1b	1b	1b	S2	5-1
P6	1f	1f	1f	1e	1-2
P7	1m	1m	1m	2e	2-2
P8	1g	1g	1g	S3	3-2
P9	1c	1c	1c	1c	4-2
P10	1e	1e	1e	2c	5-2
P11	1r	1r	1r	S4	1-3
P12	1p	1p	1p	1g	2-3
P13	1n	1n	1n	2g	3-3
P14	1d	1d	1d	1f	4-3
P15	2a	2a	2a	2f	5-3
P16	2h	2h	2h	1b	1-4
P17	2j	2j	2j	2b	2-4
P18	2k	2k	2k	1a	3-4
P19	2b	2b	2b	2a	4-4
P20	2f	2f	2f	PL	5-4
P21	2m	2m	2m	SW	1-5
P22	2g	2g	2g	PR	2-5
P23	2c	2c	2c	L	3-5
P24	2e	2e	2e	C	4-5
P25	2r	2r	2r	R	5-5
P26	2p	2p	2p	SL	1-6
P27	2n	2n	2n	SR	2-6
P28	2d	2d	2d	SBL	3-6
P29	SIRIUS	3a	HD	SB	4-6
P30	XM	3b	TAG	SBR	5-6
P31	HDMI	iPod CHARGE	CINEMA DSP	S6	1-7
P32	OUT1	SP B	3	S13	2-7
P33	OUT2	S6	STEREO	MUTE	3-7
P34	A1	SP A	TUNED	ZONE 2	4-7
P35	A2	S5	ENHANCER	ZONE 3	5-7
P36	A3	—	S4	SLEEP	U1

■ IC DATA

IC153: R2A15220FP (MAIN P.C.B.)

8-channel electronic volume with 11 input selector and tone control

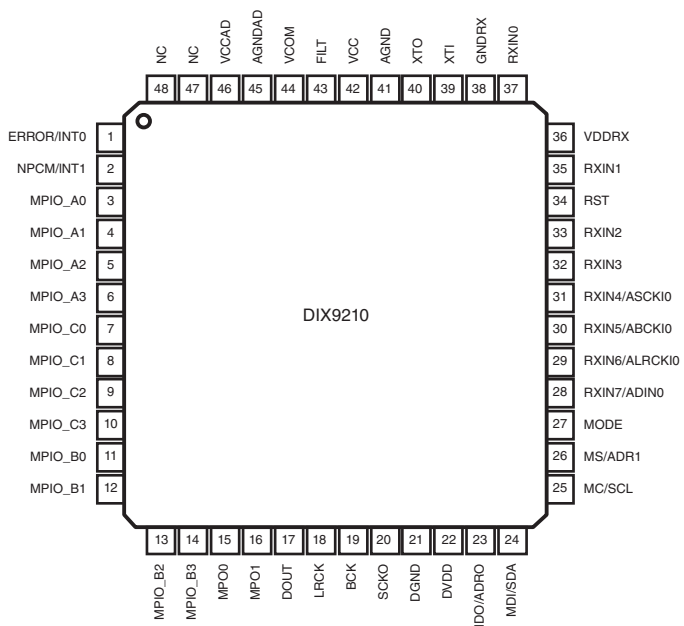
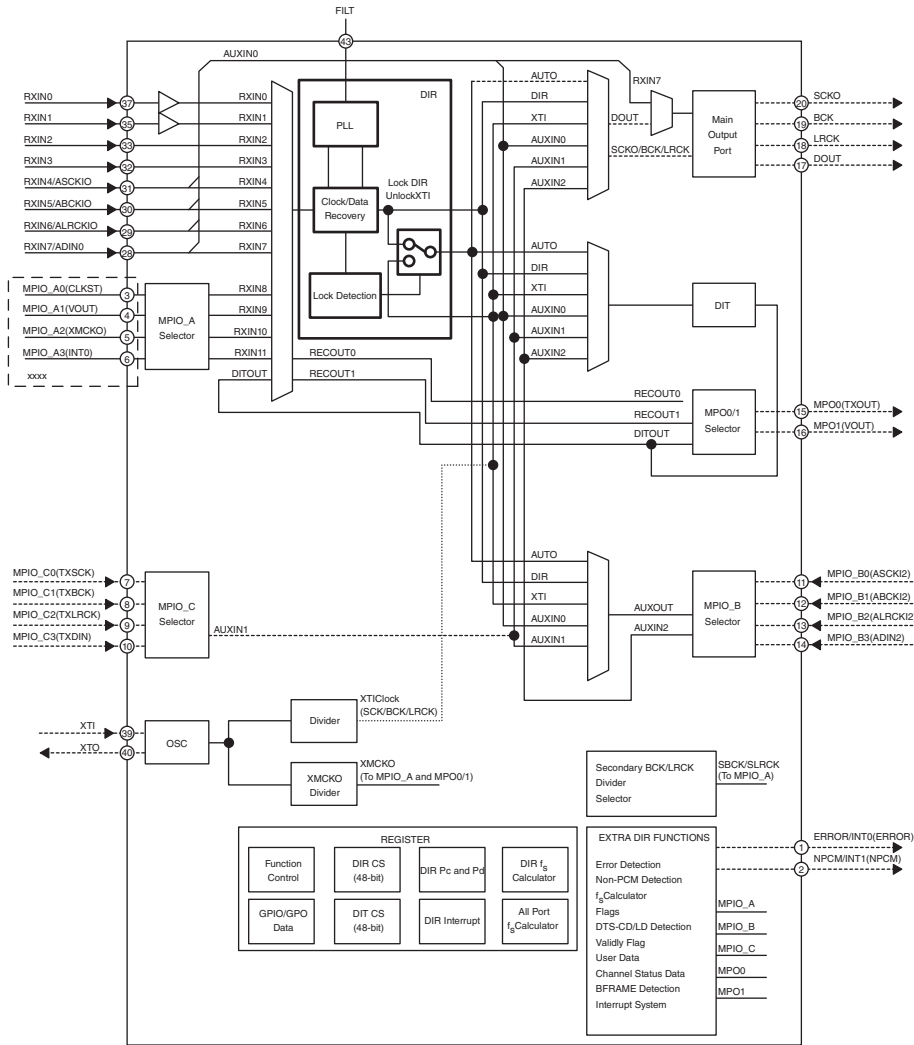
RX-V667/HTR-6063/
RX-A700



Pin No.	Port name	Function Name	Detail of Function
1	AGND	AE	Analog ground of internal circuit
2	SBROUT	VOSBL	Output pin of FL/FR/C/SW/SL/SR/SBL/SBR channel
3	SBR Pre-OUT	VOPSBL	Pre-output pin of FL/FR/SL/SR/SBL/SBR channel
4	SBRC	AE	Connects capacitor for reducing click noise of L/R/C/SW/SL/SR/SBL/SBR channel volume
5	AGND	AE	Analog ground of internal circuit
6	SLC	VOPSR	Connects capacitor for reducing click noise of L/R/C/SW/SL/SR/SBL/SBR channel volume
7	SL Pre-OUT	VOSR	Pre-output pin of FL/FR/SL/SR/SBL/SBR channel
8	SLOUT	AE	Output pin of FL/FR/C/SW/SL/SR/SBL/SBR channel
9	AGND	AE	Analog ground of internal circuit
10	SROUT	VOSL	Output pin of FL/FR/C/SW/SL/SR/SBL/SBR channel
11	SR Pre-OUT	VOPSL	Pre-output pin of FL/FR/SL/SR/SBL/SBR channel
12	SRC	AE	Connects capacitor for reducing click noise of L/R/C/SW/SL/SR/SBL/SBR channel volume
13	SWC	AE	Connects capacitor for reducing click noise of L/R/C/SW/SL/SR/SBL/SBR channel volume
14	SWOUT	VOSW	Output pin of FL/FR/C/SW/SL/SR/SBL/SBR channel
15	AGND	AE	Analog ground of internal circuit
16	COUT	VOC	Output pin of FL/FR/C/SW/SL/SR/SBL/SBR channel
17	CC	AE	Connects capacitor for reducing click noise of L/R/C/SW/SL/SR/SBL/SBR channel volume
18	FLC	AE	Connects capacitor for reducing click noise of L/R/C/SW/SL/SR/SBL/SBR channel volume
19	FL Pre-OUT	VOPFR	Pre-output pin of FL/FR/SL/SR/SBL/SBR channel
20	FLOUT	VOFR	Output pin of FL/FR/C/SW/SL/SR/SBL/SBR channel
21	AGND	POE	Analog ground of internal circuit
22	FROUT	VOFL	Output pin of FL/FR/C/SW/SL/SR/SBL/SBR channel
23	FR Pre-OUT	VOPFL	Pre-output pin of FL/FR/SL/SR/SBL/SBR channel
24	FRC	AE	Connects capacitor for reducing click noise of L/R/C/SW/SL/SR/SBL/SBR channel volume
25	BASSL1	AE	Frequency characteristic setting pin of L/R channel tone control (Bass)
26	BASSL2	AE	Frequency characteristic setting pin of L/R channel tone control (Bass)
27	TREL	AE	Frequency characteristic setting pin of L/R channel tone control (Treble)
28	BASSR1	AE	Frequency characteristic setting pin of L/R channel tone control (Bass)
29	BASSR2	AE	Frequency characteristic setting pin of L/R channel tone control (Bass)
30	TREER	AE	Frequency characteristic setting pin of L/R channel tone control (Treble)
31	AVCC	VCC	Positive power supply to internal circuit
32	SUBL1	N.C.	Output pin for L/R channel SUB1/SUB2 output
33	SUBL2	N.C.	Output pin for L/R channel SUB1/SUB2 output
34	SRCIN	N.C.	3rd multi input pin for SBL/SBR/SL/SR channel volume that is able to swap SBR/SBL with SR/SL
35	SLCIN	N.C.	3rd multi input pin for SBL/SBR/SL/SR channel volume that is able to swap SBR/SBL with SR/SL
36	SBLIN2	8SBR	Multi input pin of L/R/C/SW/SL/SR/SBL/SBR channel (Multi IN 1/2)
37	SBRIN2	8SBL	Multi input pin of L/R/C/SW/SL/SR/SBL/SBR channel (Multi IN 1/2)
38	CIN2	8C	Multi input pin of L/R/C/SW/SL/SR/SBL/SBR channel (Multi IN 1/2)
39	SWIN2	8SW	Multi input pin of L/R/C/SW/SL/SR/SBL/SBR channel (Multi IN 1/2)
40	SLIN2	8SR	Multi input pin of L/R/C/SW/SL/SR/SBL/SBR channel (Multi IN 1/2)
41	SRIN2	8SL	Multi input pin of L/R/C/SW/SL/SR/SBL/SBR channel (Multi IN 1/2)
42	FLIN2	8FR	Multi input pin of L/R/C/SW/SL/SR/SBL/SBR channel (Multi IN 1/2)
43	FRIN2	8FL	Multi input pin of L/R/C/SW/SL/SR/SBL/SBR channel (Multi IN 1/2)
44	SBRCIN	Z2L	3rd multi input pin for SBL/SBR/SL/SR channel volume that is able to swap SBR/SBL with SR/SL
45	SBLCIN	Z2R	3rd multi input pin for SBL/SBR/SL/SR channel volume that is able to swap SBR/SBL with SR/SL
46	SUBL1	Z2R	Output pin for L/R channel SUB1/SUB2 output
47	SUBR1	Z2L	Output pin for L/R channel SUB1/SUB2 output
48	DGND	MG	Digital ground of internal circuit
49	DATA	VOL_SCK	Input pin of control data
50	CLOCK	VOL_MOSI	Input pin of control clock
51	MUTE	AE	Outside mute control pin
52	AVEE	-	Negative power supply to internal circuit
53	ADCL	ADR	Output pin for L/R channel ADC
54	ADCR	ADL	Output pin for L/R channel ADC
55	AGND	AE	Analog ground of internal circuit
56	INR1	AU2L	Input pin of L/R channel (Input selector)
57	INL1	AU2R	Input pin of L/R channel (Input selector)

Pin No.	Port name	Function Name	Detail of Function
58	INR2	AU1L	Input pin of L/R channel (Input selector)
59	INL2	AU1R	Input pin of L/R channel (Input selector)
60	INR3	AV-6L	Input pin of L/R channel (Input selector)
61	INL3	AV-6R	Input pin of L/R channel (Input selector)
62	INR4	AV-5L	Input pin of L/R channel (Input selector)
63	INL4	AV-5R	Input pin of L/R channel (Input selector)
64	INR5	PHL	Input pin of L/R channel (Input selector)
65	INL5	PHR	Input pin of L/R channel (Input selector)
66	INR6	SRL	Input pin of L/R channel (Input selector)
67	INL6	SRR	Input pin of L/R channel (Input selector)
68	INR7	IPL	Input pin of L/R channel (Input selector)
69	INL7	IPR	Input pin of L/R channel (Input selector)
70	INR8	XML	Input pin of L/R channel (Input selector)
71	INL8	XMR	Input pin of L/R channel (Input selector)
72	INRA/RECR1	AV-OUT_L	Output pin for L/R channel (input selector)/Output pin for L/R channel REC output
73	INLA/RECL1	AV-OUT_R	Output pin for L/R channel (input selector)/Output pin for L/R channel REC output
74	INR9	USBL	Input pin of L/R channel (Input selector)
75	INL9	USBR	Input pin of L/R channel (Input selector)
76	INRB/RECR2	AOL	Output pin for L/R channel (input selector)/Output pin for L/R channel REC output
77	INLB/RECL2	AOR	Output pin for L/R channel (input selector)/Output pin for L/R channel REC output
78	INR10/RECR4	TUL	Output pin for L/R channel (input selector)/Output pin for L/R channel REC output
79	INL10/RECL4	TUR	Output pin for L/R channel (input selector)/Output pin for L/R channel REC output
80	INR11/RECR5	MIC	Output pin for L/R channel (input selector)/Output pin for L/R channel REC output
81	INL11/RECL5	AE	Output pin for L/R channel (input selector)/Output pin for L/R channel REC output
82	INR12	AUXL	Input pin of L/R channel (Input selector)
83	INL12	AUXR	Input pin of L/R channel (Input selector)
84	INR13	AE	Input pin of L/R channel (Input selector)
85	INL13	AE	Input pin of L/R channel (Input selector)
86	INR14	AE	Input pin of L/R channel (Input selector)
87	INL14	AE	Input pin of L/R channel (Input selector)
88	RECR3	N.C.	Output pin for L/R channel REC output
89	RECL3	N.C.	Output pin for L/R channel REC output
90	FLIN1	DAFR	Multi input pin of L/R/C/SW/SL/SR/SBL/SBR channel (Multi IN 1/2)
91	FRIN1	DAFL	Multi input pin of L/R/C/SW/SL/SR/SBL/SBR channel (Multi IN 1/2)
92	CIN1	DAC	Multi input pin of L/R/C/SW/SL/SR/SBL/SBR channel (Multi IN 1/2)
93	SWIN1	DASW	Multi input pin of L/R/C/SW/SL/SR/SBL/SBR channel (Multi IN 1/2)
94	SLIN1	DASR	Multi input pin of L/R/C/SW/SL/SR/SBL/SBR channel (Multi IN 1/2)
95	SEIN1	DASL	Multi input pin of L/R/C/SW/SL/SR/SBL/SBR channel (Multi IN 1/2)
96	SBLIN1	DASBR	Multi input pin of L/R/C/SW/SL/SR/SBL/SBR channel (Multi IN 1/2)
97	SBRIN1	DASBL	Multi input pin of L/R/C/SW/SL/SR/SBL/SBR channel (Multi IN 1/2)
98	SBLC	AE	Connects capacitor for reducing click noise of L/R/C/SW/SL/SR/SBL/SBR channel volume
99	SBL Pre-OUT	VOPSBR	Pre-output pin of FL/FR/SL/SR/SBL/SBR channel
100	SBL OUT	VOSBR	Output pin of FL/FR/C/SW/SL/SR/SBL/SBR channel

IC942: DIX9210PTR (DIGITAL P.C.B.)
216 kHz digital audio interface transceiver

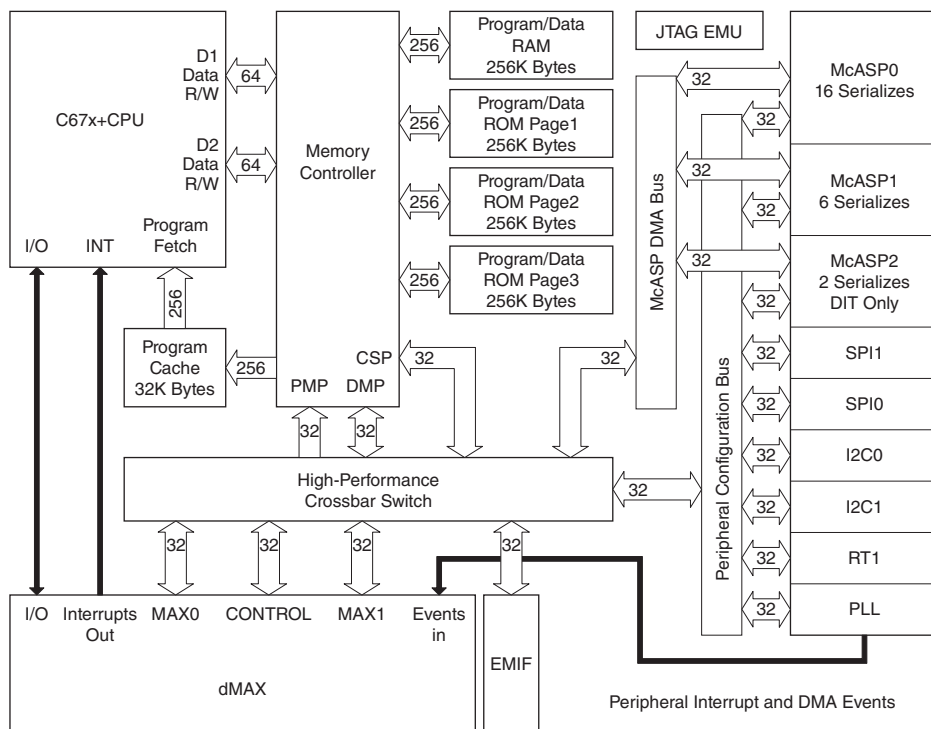
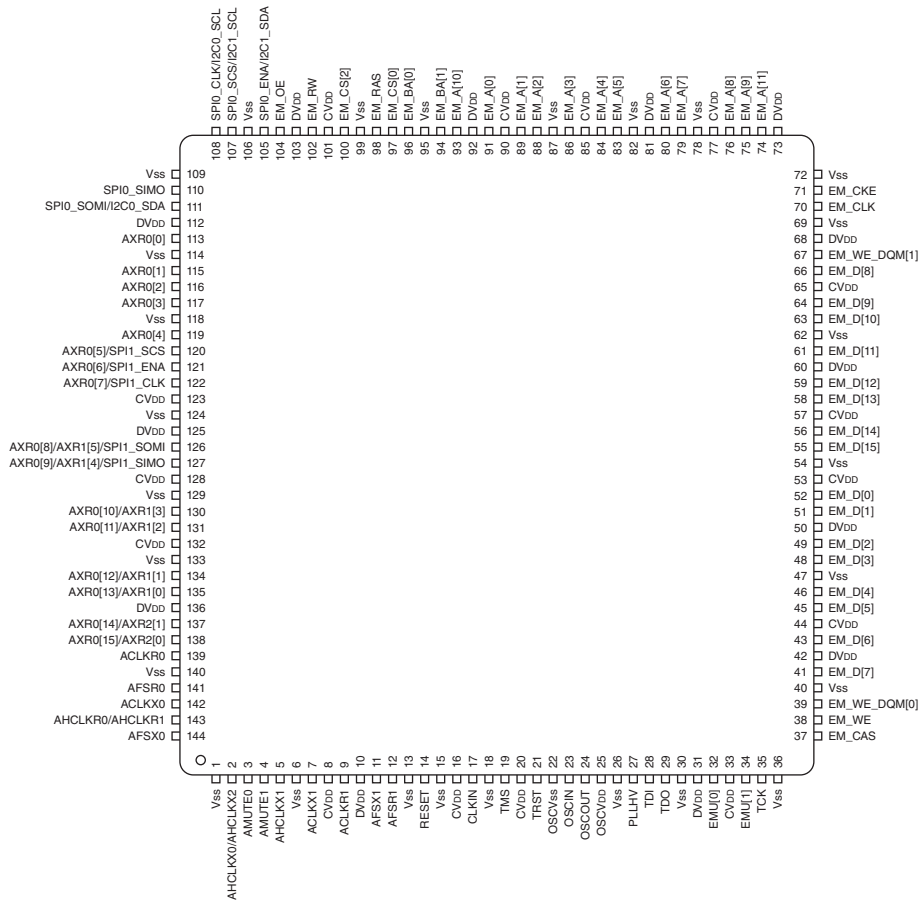


Pin No.	Port Name	I/O	Detail of Function
1	ERROR/INT0	O	DIR Error detection output/Interrupt0 output
2	NPCM/INT1	O	DIR Non-PCM detection output/Interrupt1 output
3	MPIO_A0	I/O	Multipurpose I/O, Group A (1)
4	MPIO_A1	I/O	Multipurpose I/O, Group A (1)
5	MPIO_A2	I/O	Multipurpose I/O, Group A (1)
6	MPIO_A3	I/O	Multipurpose I/O, Group A (1)
7	MPIO_C0	I/O	Multipurpose I/O, Group C (1)
8	MPIO_C1	I/O	Multipurpose I/O, Group C (1)
9	MPIO_C2	I/O	Multipurpose I/O, Group C (1)
10	MPIO_C3	I/O	Multipurpose I/O, Group C (1)
11	MPIO_B0	I/O	Multipurpose I/O, Group B (1)
12	MPIO_B1	I/O	Multipurpose I/O, Group B (1)
13	MPIO_B2	I/O	Multipurpose I/O, Group B (1)
14	MPIO_B3	I/O	Multipurpose I/O, Group B (1)
15	MPO0	O	Multipurpose output 0
16	MPO1		
17	DOUT		
18	LRCK		
19	BCK		
20	SCKO		
21	DGND		
22	DVDD		
23	MDO/ADRO		
24	MDI/SDA		
25	MC/SCL		
26	MS/ADR1		
27	MODE		
28	RXIN7/ADIN0		
29	RXIN6/ALRCKI0		
30	RXIN5/ABCKI0		
31	RXIN4/ASCKI0		
32	RXIN3		
33	RXIN2		
34	RST		
35	RXIN1		
36	VDDR _X		
37	RXIN0		
38	GND _{R_X}		
39	XTI		
40	XTO		
41	AGND		
42	VCC		
43	FILT		
44	VCOM		
45	AGND _{AD}		
46	VCC _{AD}		
47	NC		
48	NC		

IC945: D70YE101BRFP266 (DIGITAL P.C.B.)

Decoder/Post processor

* **No replacement part available.**



No.	Function Name (P.C.B.)	TYPE ⁽¹⁾	PULL ⁽²⁾	GPIO ⁽³⁾	Detail of Function
1	VSS				
2	AHCLKX0/AHCLKX2	IO	–	Y	McASP0 and McASP2 transmit master clock
3	AMUTE0	IO	–	Y	McASP0 mute output
4	AMUTE1	IO	–	Y	McASP1 mute output
5	AHCLKX1	IO	–	Y	McASP1 transmit master clock
6	VSS				
7	ACLKX1	IO	–	Y	McASP1 transmit bit clock
8	CVDD				
9	ACLKR1	IO	–	Y	McASP1 receive bit clock
10	DVDD				
11	AFSX1	IO	–	Y	McASP1 transmit frame Sync (L/R clock)
12	AFSR1	IO	–	Y	McASP1 receive frame Sync (L/R clock)
13	VSS				
14	RESET	IO	–	N	Device reset pin
15	VSS				
16	CVDD				
17	CLKIN	IO	–	N	Alternate clock input (3.3-V LVCMOS input)
18	VSS				
19	TMS	IO	IPU	N	Test mode select
20	CVDD				
21	TRST	IO	IPU	N	Test reset
22	OSCVSS	PWR	–	N	Oscillator Vss tap point (for filter only)
23	OSCIN	IO	–	N	1.2-V oscillator input
24	NC	O	–	N	
25	OSCVDD	PWR	–	N	Oscillator 1.2-V Vpp tap point (for filter only)
26	VSS				
27	PLLHV	PWR	–	N	PLL 3.3-V supply input (requires external filter)
28	TDI	IO	IPU	N	Test data in
29	TDO	OZ	IPU	N	Test data out
30	VSS				
31	DVDD				
32	EMU[0]	IO	IPU	N	Emulation pin 0
33	CVDD				
34	EMU[1]	IO	IPU	N	Emulation pin 1
35	TCK	IO	IPU	N	Test clock
36	Ground(Vss)				
37	EM_CAS	O	–	N	SDRAM column address strobe
38	EM_WE	O	–	N	SDRAM write enable
39	EM_WE_DQM[0]	O	–	N	Write enable or byte enable for EM_D [7:0]
40	VSS				
41	EM_D[7]	IO	–	N	EMIF data bus [lower 16-bits]
42	DVDD				
43	EM_D[6]	IO	–	N	EMIF data bus [lower 16-bits]
44	CVDD				
45	EM_D[5]	IO	–	N	EMIF data bus [lower 16-bits]
46	EM_D[4]	IO	–	N	EMIF data bus [lower 16-bits]
47	VSS				
48	EM_D[3]	IO	–	N	EMIF data bus [lower 16-bits]
49	EM_D[2]	IO	–	N	EMIF data bus [lower 16-bits]
50	DVDD				

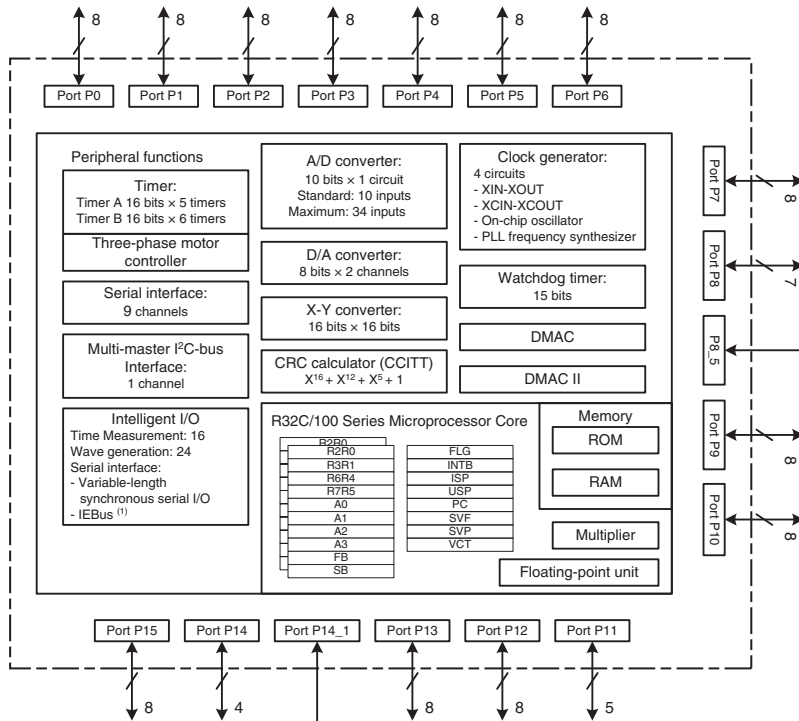
No.	Function Name (P.C.B.)	TYPE ⁽¹⁾	PULL ⁽²⁾	GPIO ⁽³⁾	Detail of Function
51	EM_D[1]	IO	–	N	EMIF data bus [lower 16-bits]
52	EM_D[0]	IO	–	N	EMIF data bus [lower 16-bits]
53	CVDD				
54	VSS				
55	EM_D[15]	IO	–	N	EMIF data bus [lower 16-bits]
56	EM_D[14]	IO	–	N	EMIF data bus [lower 16-Bits]
57	CVDD				
58	EM_D[13]	IO	–	N	EMIF data bus [lower 16-Bits]
59	EM_D[12]	IO	–	N	EMIF data bus [lower 16-Bits]
60	DVDD				
61	EM_D[11]	IO	–	N	EMIF data bus [lower 16-Bits]
62	VSS				
63	EM_D[10]	IO	–	N	EMIF data bus [lower 16-Bits]
64	EM_D[9]	IO	–	N	EMIF data bus [lower 16-Bits]
65	CVDD				
66	EM_D[8]	IO	–	N	EMIF data bus [lower 16-bits]
67	EM_WE_DQM[1]	O	–	N	Write enable or byte enable for EM_D [15:8]
68	DVDD				
69	VSS				
70	EM_CLK	O	–	N	SDRAM clock
71	EM_CKE	O	–	N	SDRAM clock enable
72	VSS				
73	DVDD				
74	EM_A[11]	O	–	N	EMIF address bus
75	EM_A[9]	O	–	N	EMIF address bus
76	EM_A[8]	O	–	N	EMIF address bus
77	CVDD				
78	VSS				
79	EM_A[7]	O	–	N	EMIF address bus
80	EM_A[6]	O	–	N	EMIF address bus
81	DVDD				
82	VSS				
83	EM_A[5]	O	–	N	EMIF address bus
84	EM_A[4]	O	–	N	EMIF address bus
85	CVDD				
86	EM_A[3]	O	–	N	EMIF address bus
87	VSS				
88	EM_A[2]	O	–	N	EMIF address bus
89	EM_A[1]	O	–	N	EMIF address bus
90	CVDD				
91	EM_A[0]	O	–	N	EMIF address bus
92	DVDD				
93	EM_A[10]	O	–	N	EMIF address bus
94	EM_BA[1]	O	–	N	SDRAM bank address and asynchronous memory Low-Order address
95	VSS				
96	EM_BA[0]	O	–	N	SDRAM bank address and asynchronous memory Low-Order address
97	EM_CS[0]	O	–	N	SDRAM chip select
98	EM_RAS	O	–	N	SDRAM row address strobe
99	VSS				
100	EM_CS[2]	O	–	N	Asynchronous memory chip select

No.	Function Name (P.C.B.)	TYPE ⁽¹⁾	PULL ⁽²⁾	GPIO ⁽³⁾	Detail of Function
101	CVDD				
102	NC	O	–	N	Asynchronous memory read/not write
103	DVDD				
104	EM_OE	O	–	N	SDRAM output enable
105	SPI0_ENA/I2C1_SDA	IO	–	Y	SPI0 enable (ready) or I2c1 serial data
106	VSS				
107	SPI0_ENA/I2C1_SCL	IO	–	Y	SPI0 enable (ready) or I2c1 serial clock
108	SPI0_CLK/I2C0_SCL	IO	–	Y	SPI0 serial clock or I2c0 serial clock
109	VSS				
110	SPIO_SIMO	IO	–	Y	SPI0 data pin slave in master out
111	SPIO_SOMI/I2C0_SDA	IO	–	Y	SPI0 data pin slave out master in or I2C0 serial data
112	DVDD				
113	AXR0[0]	IO	–	Y	McASP0 serial data 0
114	VSS				
115	AXR0[1]	IO	–	Y	McASP0 serial data 1
116	AXR0[2]	IO	–	Y	McASP0 serial data 2
117	AXR0[3]	IO	–	Y	McASP0 serial data 3
118	VSS				
119	AXR0[4]	IO	–	Y	McASP0 serial data 4
120	SPI1_SCS	IO	–	Y	McASP0 serial data 5 or SPI1 slave chip select
121	SPI1_ENA	IO	–	Y	McASP0 serial data 6 or SPI1 enable (ready)
122	SPI1_CLK	IO	–	Y	McASP0 serial data 7 or SPI1 serial clock
123	CVDD				
124	VSS				
125	DVDD				
126	/SPI1_SOMI	IO	–	Y	McASP0 serial data 8 or McASP1 serial data 5 or SPI1 data pin slave out master in
127	/SPI1_SIMO	IO	–	Y	McASP0 serial data 9 or McASP1 serial data 4 or SPI1 data pin slave in master out
128	CVDD				
129	VSS				
130	AXR0[10]	IO	–	Y	McASP0 serial data 10 or McASP1 serial data 3
131	AXR0[11]	IO	–	Y	McASP0 serial data 11 or McASP1 serial data 2
132	CVDD				
133	VSS				
134	AXR0[12]	IO	–	Y	McASP0 serial data 12 or McASP1 serial data 1
135	AXR0[13]	IO	–	Y	McASP0 serial data 13 or McASP1 serial data 0
136	DVDD				
137	AXR0[14]	IO	–	Y	McASP0 serial data 14 or McASP2 serial data 1
138	AXR0[15]	IO	–	Y	McASP0 serial data 15 or McASP2 serial data 0
139	ACLKR0	IO	–	Y	McASP0 receive bit clock
140	VSS				
141	AFSR0	IO	–	Y	McASP0 receive frame Sync (L/R clock)
142	ACLKX0	IO	–	Y	McASP0 transmit bit clock
143	AHCLKR0/AHCLKR1	IO	–	Y	McASP0 and McASP1 receive master clock
144	AFSX0	IO	–	Y	McASP0 transmit frame Sync (L/R clock)

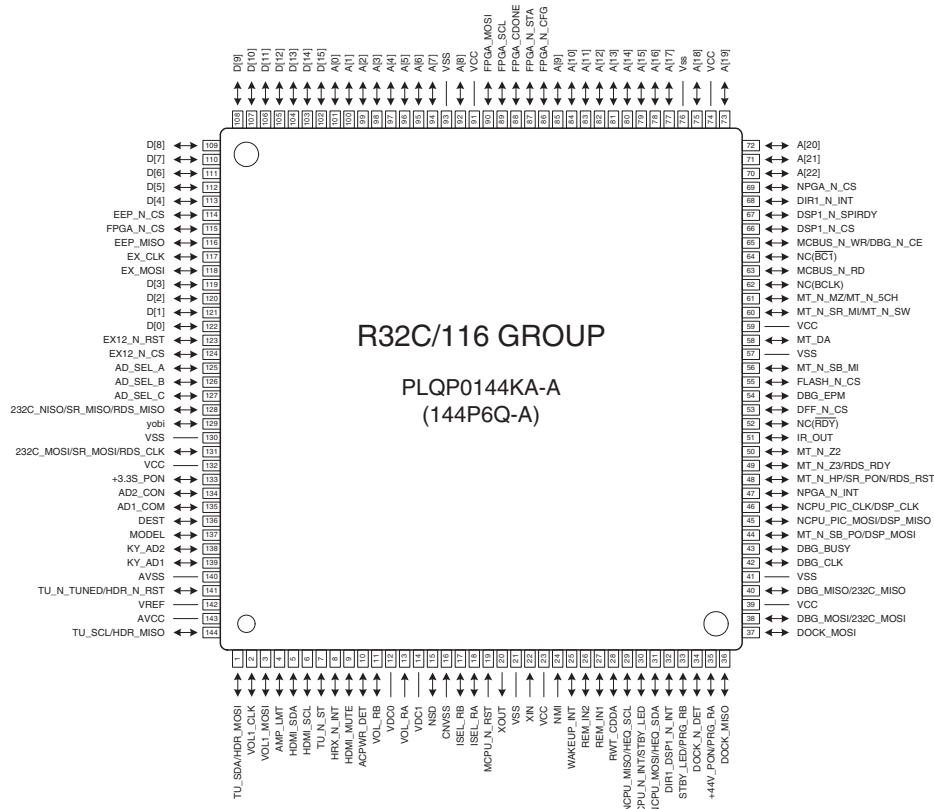
IC908: R5F64169DFD (DIGITAL P.C.B.)

Microprocessor

* **No replacement part available.**



Note: 1. IEBus is a trademark of NEC Electronics Corporation.



Notes:
 1. Pin names in brackets [] represent a functional signal as a whole and should not be considered as two separate pins.
 2. The position of pin number 1 varies by product. Refer to the index mark in attached "Package Dimensions".

RX-V667/HTR-6063/
RX-A700

Pin No.	Port Name	Use Port	Function Name	Terminal Processing	Related Power Supply				Detail of Function	
					OFF		ON			
					I/O	Logic	I/O	Logic		
1	SRXD4/SDA4/ TXD4/ANEX1/ P9_6	SDA4	TU_SDA	3.3kPU	PRY	O	Low	I/O	Data	Tuner I2C data
2	CLK4/ANEX0/ P9_5	P9_5	VOL1_CLK		PRY	O	Low	O	Clock	Volume/ZoneTone/Selector-1 communication clock
3	SS4/RTS4/ CTS4/TB4IN/ DA1/P9_4	P9_4	VOL_MOSI		PRY	O	Low	O	Data	Volume/ZoneTone/Selector-1 and 2 communication data
4	SS3/RTS3/ CTS3/TB3IN/ DA0/P9_3	DA0	AMP_LMT		PRY	I	---	O	D/A	Limiter control
5	IEOUT/ISTXD2/ OUTC2_0/ SRXD3/SDA3/ TXD3/TB2IN/ P9_2	SDA3	HDMI_SDA	V encoder suction prevention	HDMI_PON	O	Low	I/O	Data	HDMI and AVVIDEO 400k I2C data
6	IEIN/ISRXD2/ STXD3/SCL3/ RXD3/TB1IN/ P9_1	SCL3	HDMI_SCL	V encoder suction prevention	HDMI_PON	O	Low	O	Clock	HDMI and AVVIDEO 400k I2C clock
7	CLK3/TB0IN/ P9_0	P9_0	TU_N_ST	47kPU	PRY	O	Low	I	L act	Tuner Stereo detection
8	INT8/P14_6	INT8	HRX_N_ INT		HDMI_PON	O	Low	I	L act	HDMI RX interrupt
9	INT7/P14_5	INT7	HDMI_ MUTE		HDMI_PON	O	Low	I	H act	HDMI mute
10	INT6/P14_4	INT6	ACPWR_ DET		AC	O	Low	I	L act	AC power detect
11	P14_3	P14_3	VOL_RB		DSP_PON	I	---	I		Volume B
12	VDC0	VDC0	VDC0							---
13	P14_1	P14_1	VOL_RA		DSP_PON	I	---	I		Volume A (Port only for input)
14	VDC1	VDC1	VDC1							---
15	NSD	NSD	NSD	4.7kPU						Debugger
16	CNVSS	CNVSS	DBG_ CNVSS	68kPD						---
17	XCIN/P8_7	P8_7	ISEL_RB		DSP_PON	I	---	I		Input selector B
18	XCOU/P8_6	P8_6	ISEL_RA		DSP_PON	I	---	I		Input selector A
19	RESET	RESET	MCPU_N_ RST	10kPU						---
20	XOUT	XOUT	XOUT							---
21	VSS	VSS	VSS							---
22	XIN	XIN	XIN							---
23	VCC	VCC	VCC							---
24	NMI/P8_5	NMI	NMI	1kPU						---
25	INT2/P8_4	INT2	WAKEUP_ INT	Odd/even number detection circuit	AC	O	Low	I	Both edges	Power switches, MISO interrupt of 232C and DOCK (Sleep state restored)
26	INT1/P8_3	P8_3	-		AC	O	Low	O	Low	Unassigned
27	INT0/P8_2	INT0	REM_IN1	100kPU	AC	O	Low	I	L act	Remote control pulse input 1 (5V tolerant)
28	UD0B/UD1B/ IIO1_5/RTS5/ CTS5/SS5/U/ TA4IN/P8_1	P8_1	RWT_ CDDA		DSP_PON	O	Low	O	H act	CDDA Rewrite path selection
29	UD0A/UD1A/ RXD5/SCL5/ STXD5/U/ TA4OUT/P8_0	SCL5	HEQ_SCL	3.3kPU	HDMI_PON	O	Low	O	Clock	HDMI switcher 100k I2C clock
30	UD0B/UD1B/ IIO1_4/CLK5/ TA3IN/P7_7	P7_7	STBY_LED		AC	O	Low	O	H act	Standby LED control
31	UD0A/UD1A/ IIO1_3/RTS8/ CTS8/TXD5/ SDA5/SRXD5/ TA3OUT/P7_6	SDA5	HEQ_SDA	3.3kPU	HDMI_PON	O	Low	I/O	Data	HDMI switcher 100k I2C data

Pin No.	Port Name	Use Port	Function Name	Terminal Processing	Related Power Supply	Related Power Supply				Detail of Function
						OFF		ON		
						I/O	Logic	I/O	Logic	
32	IIO1_2/RXD8/W/ TA2IN/P7_5	TA2IN	DIR1_ DSP1_N_ INT	10kPU	DSP_PON	O	Low	I	L act	DIR1/DSP1 interrupt
33	IIO1_1/CLK8/W/ TA2OUT/P7_4	P7_4	PRG_RB		DSP_PON	I	---	I		---
34	IIO1_0/TXD8/ SS2/RTS2/ CTS2/V/TA1IN/ P7_3	TA1IN	DOCK_N_ DET		AC	O	Low	I	L act	iPod Detect
35	CLK2/V/ TA1OUT/P7_2	P7_2	PRG_RA		DSP_PON	I	---	I		---
36	MSCL/IEIN/ ISRXD2/ OUTC2_2/ IIO1_7/STXD2/ SCL2/RXD2/ TA0IN/TB5IN/ P7_1	RXD2	DOCK_ MISO	Suction prevention when AC is turned off	DOCK_ PON	O	Low	I	Data	DOCK reception data
37	TA0OUT/ TXD2/SDA2/ SRXD2/IIO1_6/ OUTC2_0/ ISTXD2/IEOUT/ MSDA/P7_0	TXD2	DOCK_ MOSI		DOCK_ PON	O	Low	O	Data	DOCK transmission data
38	TXD1/SDA1/ SRXD1/P6_7	TXD1	DBG_MOSI	100kPU	AC	O	Low	O	Data	Debug/E8a
39	VCC	VCC	VCC							---
40	RXD1/SCL1/ STXD1/P6_6	RXD1	DBG_MISO	100kPU	AC	O	Low	I	Data	Debug/E8a
41	VSS	VSS	VSS							---
42	CLK1/P6_5	CLK1	DBG_CLK	100kPU	AC	O	Low	I	Clock	E8a
43	CTS1/RTS1/ SS1/OUTC2_1/ ISCLK2/P6_4	P6_4	DBG_BUSY		AC	O	Low	O		E8a
44	TXD0/SDA0/ SRXD0/P6_3	TXD0	DSP_MOSI		DSP_PON	O	Low	O	Data	DSP transmission data
45	TB2IN/RXD0/ SCL0/STXD0/ P6_2	RXD0	DSP_MISO		DSP_PON	I	---	I	Data	DSP reception data
46	TB1IN/CLK0/ P6_1	CLK0	DSP_CLK		DSP_PON	O	Low	O	Clk	DSP communication clock
47	TB0IN/CTS0/ RTS0/SS0/P6_0	P6_0	-		AC	O	Low	O	Low	Unassigned
48	D31/OUTC2_7/ P13_7	P13_7	SR_PON		DSP_PON	O	Low	O	H act	SIRIUS power supply control (U model)
		P13_7	RDS_RST		PRY	O	Low	O	H act	RDS reset (B, G, F models)
49	D30/OUTC2_1/ ISCLK2/P13_6	P13_6	RDS_ READY	10kPU	PRY	O	Low	I	H act	RDS ready (B, G, F models)
50	D29/OUTC2_2/ ISRXD2/IEIN/ P13_5	P13_5	MT_N_Z2	100kPD	+3.3S_PON	O	Low	O	L act	Mute Zone2 (LINE out)
51	D28/OUTC2_0/ ISTXD2/IEOUT/ P13_4	ISTXD2	IR_OUT		AC	O	Low	O	Data	Remote control code output
52	RDY/CS3/CTS7/ RTS7/P5_7	RDY	NC(RDY)		HDMI_PON	O	Low	B	Bus	External bus
53	ALE/CS2/RXD7/ P5_6	CS2	DFN_N_CS		HDMI_PON	O	Low	B	Bus	External bus
54	HOLD/CLK7/ P5_5	P5_5	DBG_EPM	22kPU and 3.3kPD	AC	I	---	I		E8a
55	HLDA/CS1/ TXD7/P5_4	CS1	FLASH_N_ CS		HDMI_PON	O	Low	B	Bus	External bus
56	D27/OUTC2_3/ P13_3	P13_3	MT_N_SB	100kPD	+3.3S_PON	O	Low	O	L act	Mute SB/BA/Z2/FP (Preout/Main amplifier input)
57	VSS	VSS	VSS							---
58	D26/OUTC2_6/ P13_2	P13_2	MT_DA		DSP_PON	O	Low	O	H act	Mute Digital Audio

Pin No.	Port Name	Use Port	Function Name	Terminal Processing	Related Power Supply				Detail of Function	
					OFF		ON			
					I/O	Logic	I/O	Logic		
59	VCC	VCC	VCC						---	
60	D25/OUTC2_5/ P13_1	P13_1	MT_N_SW	100kPD	+3.3S_PON	O	Low	O	L act	Mute Subwoofer (Preout)
61	D24/OUTC2_4/ P13_0	P13_0	MT_N_5CH	100kPD	+3.3S_PON	O	Low	O	L act	Mute 5ch (L,C,R,SRL,SRR Preout/Main amp Input)
62	CLKOUT/BCLK/ R5_3	BCLK	NC(BCLK)		HDMI_PON	O	Low	B	Bus	Used by external bus
63	RD/P5_2	RD	MCBUS_N_RD		HDMI_PON	O	Low	B	Bus	External bus
64	WR1/BC1/P5_1	BC1	NC(BC1)		HDMI_PON	O	Low	B	Bus	Used by external bus
65	WR0/WR/P5_0	WR	MCBUS_N_WR		HDMI_PON	I	---	B	Bus	External bus
66	D23/P12_7	P12_7	DSP1_N_CS		DSP_PON	O	Low	O	L act	DSP1 chip select
67	D22/P12_6	P12_6	DSP1_N_SPIRDY		DSP_PON	O	Low	I	L act	DSP1 SPI ready
68	D21/P12_5	P12_5	DIR1_N_INT		DSP_PON	O	Low	I	L DIR	For discrimination of DIR1/DSP1 interrupt
69	CS0/A23/TXD6/ SDA6/SRXD6/ P4_7	P11_3	-		AC	O	Low	O	Low	Unassigned
70	CS1/A22/RXD6/ SCL6/STXD6/ P4_6	A22	A[22]		HDMI_PON	O	Low	B	Bus	External bus
71	CS2/A21/CLK6/ P4_5	A21	A[21]		HDMI_PON	O	Low	B	Bus	External bus
72	CS3/A20/CTS6/ RTS6/SS6/P4_4	A20	A[20]		HDMI_PON	O	Low	B	Bus	External bus
73	A19/TXD3/ SDA3/SRXD3/ OUTC2_0/ ISTXD2/IEOUT/ P4_3	A19	A[19]		HDMI_PON	O	Low	B	Bus	External bus
74	VCC	VCC	VCC							---
75	A18/RXD3/ SCL3/STXD3/ ISRXD2/IEIN/ P4_2	A18	A[18]		HDMI_PON	O	Low	B	Bus	External bus
76	VSS	VSS	VSS							---
77	A17/CLK3/P4_1	A17	A[17]		HDMI_PON	O	Low	B	Bus	External bus
78	A16/CTS3/RTS3/ SS3/P4_0	A16	A[16]		HDMI_PON	O	Low	B	Bus	External bus
79	A15/[A15/D15]/ TA4IN/U/P3_7	A15	A[15]		HDMI_PON	O	Low	B	Bus	External bus
80	A14/[A14/D14]/ TA4OUT/U/P3_6	A14	A[14]		HDMI_PON	O	Low	B	Bus	External bus
81	A13/[A13/D13]/ TA2IN/W/P3_5	A13	A[13]		HDMI_PON	O	Low	B	Bus	External bus
82	A12/[A12/D12]/ TA2OUT/W/P3_4	A12	A[12]		HDMI_PON	O	Low	B	Bus	External bus
83	A11/[A11/D11]/ TA1IN/V/P3_3	A11	A[11]		HDMI_PON	O	Low	B	Bus	External bus
84	A10/[A10/D10]/ TA1OUT/V/P3_2	A10	A[10]		HDMI_PON	O	Low	B	Bus	External bus
85	A9/[A9/D9]/ TA3OUT/UD0B/ UD1B/P3_1	A9	A[9]		HDMI_PON	O	Low	B	Bus	External bus
86	D20/P12_4	P12_4	FPGA_N_CFG	10kPU	HDMI_PON	O	Low	O	L act	FPGA nCONF
87	D19/CTS6/ RTS6/SS6/ P12_3	P12_3	FPGA_N_STA	10kPU	HDMI_PON	I	---	I	L act	FPGA nSTATUS
88	D18/RXD6/ SCL6/STXD6/ P12_2	P12_2	FPGA_CDONE	10kPU	HDMI_PON	I	---	I	H act	FPGA CONF DONE

Pin No.	Port Name	Use Port	Function Name	Terminal Processing	Related Power Supply	Related Power Supply				Detail of Function
						OFF		ON		
						I/O	Logic	I/O	Logic	
89	D17/CLK6/ P12_1	CLK6	FPGA_SCL		HDMI_PON	O	Low	O	Clk	FPGA clock (at Boot)
90	D16/TXD6/ SDA6/SRXD6/ P12_0	TXD6	FPGA_MOSI		HDMI_PON	O	Low	O	Data	FPGA transmission data (at Boot)
91	VCC	VCC	VCC							---
92	A8/[A8/D8]/ TA0OUT/UD0A/ UD1A/P3_0	A8	A[8]		HDMI_PON	O	Low	B	Bus	External bus
93	VSS	VSS	VSS							---
94	A7/[A7/D7]/ AN2_7/P2_7	A7	A[7]		HDMI_PON	O	Low	B	Bus	External bus
95	A6/[A6/D6]/ AN2_6/P2_6	A6	A[6]		HDMI_PON	O	Low	B	Bus	External bus
96	A5/[A5/D5]/ AN2_5/P2_5	A5	A[5]		HDMI_PON	O	Low	B	Bus	External bus
97	A4/[A4/D4]/ AN2_4/P2_4	A4	A[4]		HDMI_PON	O	Low	B	Bus	External bus
98	A3/[A3/D3]/ AN2_3/P2_3	A3	A[3]		HDMI_PON	O	Low	B	Bus	External bus
99	A2/[A2/D2]/ AN2_2/P2_2	A2	A[2]		HDMI_PON	O	Low	B	Bus	External bus
100	A1/[A1/D1]/BC2/ [BC2/D1]/AN2_1/ P2_1	A1	A[1]		HDMI_PON	O	Low	B	Bus	External bus
101	A0/[A0/D0]/BC0/ [BC0/D0]/AN2_0/ P2_0	A0	A[0]		HDMI_PON	O	Low	B	Bus	External bus
102	D15/INT5/ IIO0_7/IIO1_7/ P1_7	D15	D[15]	100kPD	HDMI_PON	I	---	B	Bus	External bus
103	D14/INT4/ IIO0_6/IIO1_6/ P1_6	D14	D[14]	100kPD	HDMI_PON	I	---	B	Bus	External bus
104	D13/INT3/ IIO0_5/IIO1_5/ P1_5	D13	D[13]	100kPD	HDMI_PON	I	---	B	Bus	External bus
105	D12/IIO0_4/ IIO1_4/P1_4	D12	D[12]	100kPD	HDMI_PON	I	---	B	Bus	External bus
106	D11/IIO0_3/ IIO1_3/P1_3	D11	D[11]	100kPD	HDMI_PON	I	---	B	Bus	External bus
107	D10/IIO0_2/ IIO1_2/P1_2	D10	D[10]	100kPD	HDMI_PON	I	---	B	Bus	External bus
108	D9/IIO0_1/ IIO1_1/P1_1	D9	D[9]	100kPD	HDMI_PON	I	---	B	Bus	External bus
109	IIO0_0/IIO1_0/ D8/P1_0	D8	D[8]	100kPD	HDMI_PON	I	---	B	Bus	External bus
110	AN0_7/D7/P0_7	D7	D[7]	100kPD	HDMI_PON	I	---	B	Bus	External bus
111	AN0_6/D6/P0_6	D6	D[6]	100kPD	HDMI_PON	I	---	B	Bus	External bus
112	AN0_5/D5/P0_5	D5	D[5]	100kPD	HDMI_PON	I	---	B	Bus	External bus
113	AN0_4/D4/P0_4	D4	D[4]	100kPD	HDMI_PON	I	---	B	Bus	External bus
114	WR3/BC3/P11_4	P11_4	EEP_N_CS	10kPU	AC	O	Low	O	L act	EEPROM chip select
115	IIO1_3/RTS8/ CTS8/WR2/CS3/ P11_3	CS3	FPGA_N_CS		HDMI_PON	O	Low	B	Bus	External bus
116	IIO1_2/RXD8/ CS2/P11_2	RXD8	EEP_MISO		AC	O	Low	I	Data	FL/Expansion IO/EEPROM reception data
117	IIO1_1/CLK8/ CS1/P11_1	CLK8	EX_CLK	FL/expansion, suction prevention	AC	O	Low	O	Clk	FL/Expansion IO/EEPROM communication clock
118	IIO1_0/TXD8/ CS0/P11_0	TXD8	EX_MOSI	FL/expansion, suction prevention	AC	O	Low	O	Data	FL/Expansion IO/EEPROM transmission data
119	AN0_3/D3/P0_3	D3	D[3]	100kPD	HDMI_PON	I	---	B	Bus	External bus
120	AN0_2/D2/P0_2	D2	D[2]	100kPD	HDMI_PON	I	---	B	Bus	External bus
121	AN0_1/D1/P0_1	D1	D[1]	100kPD	HDMI_PON	I	---	B	Bus	External bus

Pin No.	Port Name	Use Port	Function Name	Terminal Processing	Related Power Supply				Detail of Function	
					OFF		ON			
					I/O	Logic	I/O	Logic		
122	ANO_0/D0/P0_0	D0	D[0]	100kPD	HDMI_PON	I	---	B	Bus	External bus
123	IIO0_7/RTS6/ CTS6/SS6/ AN15_7/P15_7	P15_7	EX12_N_RST		HDMI_PON	O	Low	O	L act	Expansion IO 1/2 reset
124	IIO0_6/CLK6/ AN15_6/P15_6	P15_6	EX12_N_CS		HDMI_PON	O	Low	O	L act	Expansion IO 1/2 chip select
125	IIO0_5/RXD6/ SCL6/STXD6/ AN15_5/P15_5	P15_5	AD_SEL_A		+3.3S_PON	O	Low	O		AD select A
126	IIO0_4/TXD6/ SDA6/SRXD6/ AN15_4/P15_4	P15_4	AD_SEL_B		+3.3S_PON	O	Low	O		AD select B
127	IIO0_3/RTS7/ CTS7/AN15_3/ P15_3	P15_3	AD_SEL_C		+3.3S_PON	O	Low	O		AD select C
128	IIO0_2/RXD7/ AN15_2/P15_2	RXD7	SR_MISO	3.3V level shift	DSP_PON	O	Low	I	Data	SIRIUS reception data (U model)
		P15_2	RDS_MISO		PRY	O	Low	I	Data	RDS data (B, G, F models)
129	IIO0_1/CLK7/ AN15_1/P15_1	P15_1	VIDI2C_ON	10KPD	HDMI_PON	O	Low	O	H act	I2C line switch to Video device
130	VSS	VSS	VSS							---
131	IIO0_0/TXD7/ AN15_0/P15_0	TXD7	SR_MOSI	5V level shift	DSP_PON	O	Low	O	Data	SIRIUS transmission data (U model)
		P15_0	RDS_CLK		PRY	O	Low	O	Clock	RDS clock (B, G, F models)
132	VCC	VCC	VCC							---
133	KI3/AN_7/P10_7	P10_7	+3.3S_PON		AC	O	Low	O	H act	+3.3S power on
134	KI2/AN_6/P10_6	AN_6	AD2_COM		+3.3S_PON	O	Low	I	A/D	AD selector 2 COM input
135	KI1/AN_5/P10_5	AN_5	AD1_COM		+3.3S_PON	O	Low	I	A/D	AD selector 1 COM input
136	KI0/AN_4/P10_4	AN_4	DEST		AC	O	Low	I	A/D	Destination discrimination
137	AN_3/P10_3	AN_3	MODEL		AC	O	Low	I	A/D	Model discriminate
138	AN_2/P10_2	AN_2	KY_AD2		AC	O	Low	I	A/D	Key 2
139	AN_1/P10_1	AN_1	KY_AD1		AC	O	Low	I	A/D	Key 1
140	AVSS	AVSS	AVSS							---
141	AN_0/P10_0	P10_0	TU_N_TND	47kPU	+3.3S_PON	O	Low	I	L act	Tuner tuned
142	VREF	VREF	VREF							---
143	AVCC	AVCC	AVCC							---
144	STXD4/SCL4/ RXD4/ADTRG/ P9_7	SCL4	TU_SCL	3.3kPU	PRY	O	Low	O	Data	Tuner I2C clock

Key detection for A/D port

Key input (A/D) pull-up resistance 10 k-ohms

Ohm	0	+ 1.0 k	+ 1.0 k	+ 1.5 k	+ 1.5 k	+ 2.2 k	+ 3.3 k	+ 4.7 k	22.0 k	33.0 k
V	0 - 0.15	0.15 - 0.42	0.43 - 0.70	0.71 - 0.97	0.98 - 1.24	1.25 - 1.53	1.54 - 1.84	1.85 - 2.22	2.23 - 2.62	2.63 - 3.04
A/D conversion value (3.3V=255)	0 - 11	12 - 32	33 - 54	55 - 75	76 - 96	97 - 119	120 - 142	143 - 163	182 - 197	198 - 209
KEY1 (139 pin)	RADIO (SCENE4)	CD (SCENE3)	TV (SCENE2)	BD/DVD (SCENE1)	ZONE2 CONTROL	ZONE2 ON/OFF	INPUT >	INPUT <	MAIN ZONE (power)	STONE CONTROL

Ohm	0	+ 1.0 k	+ 1.0 k	+ 1.5 k	+ 1.8 k	+ 2.2 k	+ 3.3 k	+ 4.7 k	+ 6.8 k	+ 10.0 k	+ 22.0 k	+ 68.0 k
V	0 - 0.15	0.16 - 0.42	0.43 - 0.70	0.71 - 0.99	1.00 - 1.27	1.28 - 1.56	1.57 - 1.86	1.87 - 2.14	2.15 - 2.39	2.40 - 2.65	2.66 - 2.91	2.92 - 3.17
A/D conversion value (3.3V=255)	0 - 11	12 - 32	33 - 54	55 - 77	78 - 99	100 - 121	122 - 144	145 - 166	167 - 186	187 - 205	206 - 226	227 - 246
KEY2 (138 pin)	-	TUNING >>	TUNING <<	AM	FM	PRESET >	PRESET <	MEMORY	INFO	STRAIGHT	PROGRAM >	PROGRAM <

Destination detection for AD port

Pull-up resistance 10 k-ohms

R3809 (VIDEO P.C.B.)	1.2 k	2.7 k	4.7 k	6.8 k	10.0 k	15.0 k	47.0 k	100.0 k
V	0.17 - 0.51	0.52 - 0.87	0.88 - 1.92	1.93 - 1.49	1.50 - 1.81	1.82 - 2.35	2.36 - 2.86	2.87 - 3.15
A/D conversion value (3.3V=255)	13 - 40	41 - 67	68 - 92	93 - 115	116 - 140	141 - 182	183 - 221	222 - 244
Destination	U	C	R	T	K	A	B, G, F	L

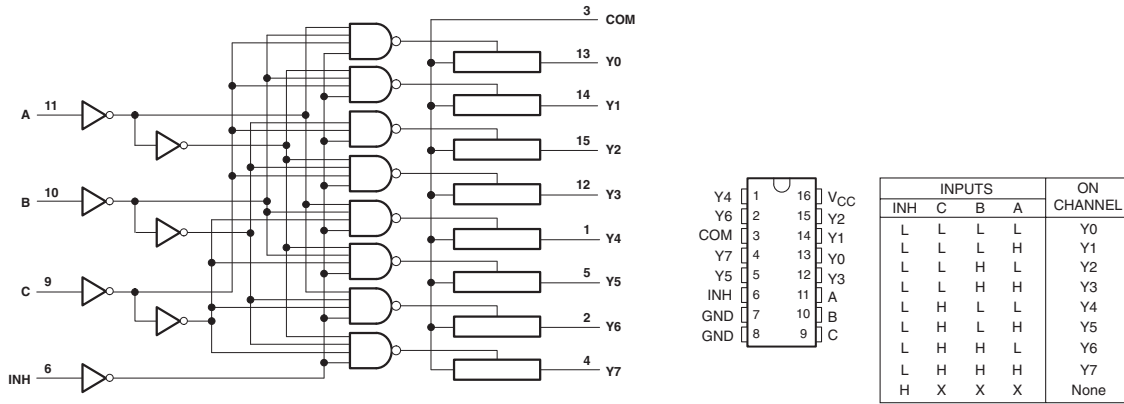
Model detection for A/D port

Model input (A/D) pull-up resistance 10 k-ohms

R4200 (OPERATION P.C.B.)	0	1.0 k	2.2 k
V	0 - 0.13	0.14 - 0.43	0.44 - 0.70
A/D conversion value (3.3V=255)	0 - 10	11 - 33	34 - 54
Model name	RX-V667	RX-A700	HTR-6063

• Microprocessor extended port

IC901, 902: SN74LV4051APWR (DIGITAL P.C.B.)
8-channel analog multiplexers/demultiplexers



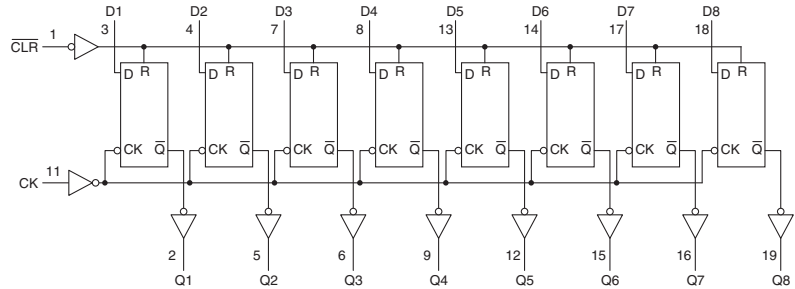
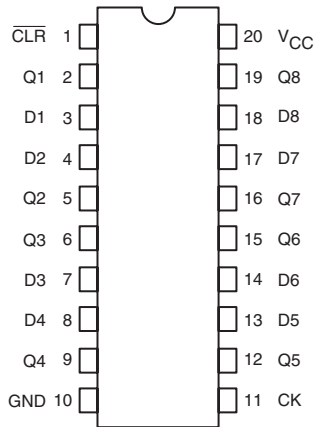
Pin No.	Port Name	Function Name	Terminal Processing	I/O	Related Power Supply				Detail of Function	
					OFF		ON			
					I/O	Logic	I/O	Logic		
AD selector 1 (AD1_COM signal is input into AN_5 of R32C)										
1	Y4	PS2_PRT		I	+3.3S_PON	I	---	I	A/D	Power supply protection 2
2	Y6	PS1_PRT		I	+3.3S_PON	I	---	I	A/D	Power supply protection 1
4	Y7	AMP_OLV		I	PRY	I	---	I	A/D	Amplifier output level detection
5	Y5	I_PRT		I	PRY	I	---	I	H act	Current protection
12	Y3	L3_DET		I	VID_PON	I	---	I	A/D	D terminal L3 detection
13	Y0	SV_DET		I	VID_PON	I	---	I	H act	S-video detect
14	Y1	HP_N_DET		I	DSP_PON	I	---	I	L act	Headphone detection
15	Y2	-		I	+3.3S_PON	I	---	I	---	Spare
AD selector 2 (AD2_COM signal is input into AN_6 of R32C)										
1	Y4	DC_PRT		I	PRY	I	---	I	A/D	DC protection
2	Y6	THM1		I	+3.3S_PON	I	---	I	A/D	Temperature detection 1
4	Y7	THM2		I	+3.3S_PON	I	---	I	A/D	Temperature detection 2
5	Y5	MIC_N_DET		I	DSP_PON	I	---	I	L act	Microphone detection
12	Y3	DOCK_AP	AC OFF時 吸込防止	I	+3.3S_PON	I	---	I	L act	iPod accessory power
13	Y0	DOCK_ID		I	+3.3S_PON	I	---	I	A/D	DOCK ID detection
14	Y1	KY_AD3		I	+3.3S_PON	I	---	I	A/D	Key 3
15	Y2	MODE	10kPU	I	+3.3S_PON	I	---	I	A/D	For special mode discriminate

DOCK detection for AD port
Pull-up resistance 10 k-ohms

DOCK type	Bluetooth (YBA-10)	Wireless iPod (YID-W10)	iPod		No connected
			(YDS-11/12(B*))	(YDS-12(A*))	
A/D conversion value (3.3V=255)	5-25	85-100	120-140	150-170	255

* Mode switch setting of the YDS-12

IC904, 905: TC74VHC273FT (DIGITAL P.C.B.)
Octal D-type flip-flop with clear



Inputs			Output	Function
$\overline{\text{CLR}}$	D	CK	Q	
L	X	X	L	Clear
H	L	\uparrow	L	-
H	H	\uparrow	H	-
H	X	\downarrow	Q_n	No Change

Pin No.	Port Name	Use Port	Function Name	Terminal Processing	Related power supply				Detail of Function	
					OFF		ON			
					I/O	Logic	I/O	Logic		
D-FF(1)										
2	D0		Q1	SPRY_5CH	PRY	O	Low	O	H act	SP relay 5CH (L, C, R, SRL, SRR)
5	D1		Q2	SPRY_SB&BA	PRY	O	Low	O	H act	SP relay Surround Back and Bi-Amp
6	D2		Q3	SPRY_Z2&FP	PRY	O	Low	O	H act	SP relay Zone2 and Front Presence
9	D3		Q4	HPRY	PRY	O	Low	O	H act	HP relay
12	D4		Q5	SP_IMP	PRY	O	Low	O	H 6Ω	SP impedance change (± B voltage change)
15	D5		Q6	PRY	PRY	O	Low	O	H act	Power relay
16	D6		Q7	DIR1_N_RST	DSP_PON	O	Low	O	L act	DIR1 reset
19	D7		Q8	DSP1_N_RST	DSP_PON	O	Low	O	L act	DSP1 reset
D-FF(2)										
2	D8		Q1	DIR1_N_CS	DSP_PON	O	Low	O	L act	DIR1 chip select
5	D9		Q2	DAC1_N_CS	DSP_PON	O	Low	O	L act	DAC chip select
6	D10		Q3	ADC_N_RST	DSP_PON	O	Low	O	L act	ADC reset (power down)
9	D11		Q4	DOCK_PON	DOCK_PON	O	Low	O	H act	DOCK power supply
12	D12		Q5	FL_N_RST	DSP_PON	O	Low	O	L act	FLD reset
15	D13		Q6	FL_N_CS	DSP_PON	O	Low	O	L act	FLD chip select
16	D14		Q7	UAW_PON	UAW_PON	O	Low	O	H act	UAW power supply
19	D15		Q8	PD_LED	PRY	O	Low	O	H act	Pure Direct LED

PIN CONNECTION DIAGRAMS

• ICs

<p>ADV7172KST DIX9210PTR</p>		<p>ADV7800BSTZ-80</p>		<p>D70YE101BRFP266 R5F64169DFD SiI9233ACTU</p>	
<p>FHP3350IM14X</p>	<p>KIA7912PI</p>	<p>LA73050-TLM-E</p>	<p>LC709004A-TLM-E</p>	<p>LC72725KM-UY-TLM-E</p>	
<p>LE25LB2562M-TLM-E</p>	<p>LM19CIZ/LF</p>	<p>M12L128168A-5TG2T</p>	<p>M66003-0131FP-R</p>	<p>MX29LV160DBTI-70G MX29LV640EBTI-70G</p>	
<p>NE5532DR</p>	<p>NJM2068MD-TE2</p>	<p>NJM2388F05</p>	<p>NJM2581M</p>	<p>NJM2867F3-05 (TE1)</p>	<p>NJM4565M (TE1)</p>
<p>NJM7812FA</p>	<p>NJM78M05FA</p>	<p>PCA9517DP</p>	<p>PCM1681PWPR</p>	<p>PCM1803DBR</p>	
<p>R2A15220FP</p>	<p>R1172H121D-T1-F R1172H501D-T1-F</p>	<p>R1172N501D-TR-F</p>	<p>R1172S331B-E2-F</p>	<p>RP130Q121D-TR-F RP130Q181D-TR-F RP130Q331D-TR-F RP130Q501D-TR-F</p>	

RX-V667/HTR-6063/RX-A700

• ICs

<p>Sii9134CTU</p>	<p>Sii9185ACTU</p>	<p>SN74LV4051APWR</p>	<p>SN74LVC1G17DCKR</p>	
<p>SN74LVC245APWR</p>	<p>TC74HC4051AFEL</p>	<p>TC74HC4053AF</p>	<p>TC74VHC08FT TC74VHCT08AFT TC74VHCU04FT</p>	<p>TC74VHC86FT (EL) TC74VHC126FT</p>
<p>TC7SH08FU TC7SH32FU TC7SH125FU</p>	<p>TC74VHC157FT</p>	<p>TC74VHC273FT (EL,K)</p>	<p>TC7WHU04FU</p>	<p>TK15420MTL-G</p>
<p>TL431ACLPR</p> <p>1: CATHODE 2: ANODE 3: REF</p>	<p>TOP254PN</p>	<p>TRS3221ECPWR</p>	<p>V54C365164VEI6</p>	

RX-V667/HTR-6063/
RX-A700

• Diodes

<p>1N4003S 1SS133 1SS176</p>	<p>1SS355</p>	<p>D6SBN20</p>	<p>DB105</p>	<p>HT18G</p>
<p>HZU4.3B3 TRF-E</p>	<p>MTZJ2.4B MTZJ10B MTZJ3.3B MTZJ13B MTZJ5.1B MTZJ22C MTZJ5.1C MTZJ39D MTZJ6.8C</p>	<p>P6KE200ARL</p>	<p>RB501V-40</p>	
<p>RLZ7.5B 7.5V</p>	<p>RS203M-B-C-J80</p>	<p>RS603M-B-C-J80</p>	<p>SG10SC4M</p>	<p>UDZS5.1B 5.1V UDZS12B 12V</p>

• Transistors

<p>2N5401C-AT/P 2SA1015-Y</p>	<p>2N5551C-AT</p>	<p>2SA1576A</p>	<p>2SA1695 O,P,Y 2SC4468 O,P,Y</p>	<p>2SA1708</p>	<p>2SA1770S/T-AN</p>	<p>2SA949 2SC1815 Y 2SC2229</p>
<p>2SC1740S</p>	<p>2SC3906K</p>	<p>2SC4081 T106</p>	<p>2SC4614S/T-AN</p>	<p>2SC5938A</p>	<p>2SD2705S TP</p>	<p>DTA114EKA DTA143EKA DTA144EKA DTC114EKA DTC144EKA</p>
<p>KRA102M-AT/P KRC102M-AT</p>	<p>KTA1046-Y-U/P KTA1837-U/P</p>	<p>KTA1504S KTA1517S KTC3875S</p>	<p>MCH6336-TL-E</p> <p>1. Drain 2. Drain 3. Gate 4. Source 5. Drain 6. Drain</p>	<p>μPA672T-T1-A</p> <p>1. Source 1 (S1) 2. Gate 1 (G1) 3. Drain 2 (D2) 4. Source 2 (S2) 5. Gate 2 (G2) 6. Drain 1 (D1)</p>		

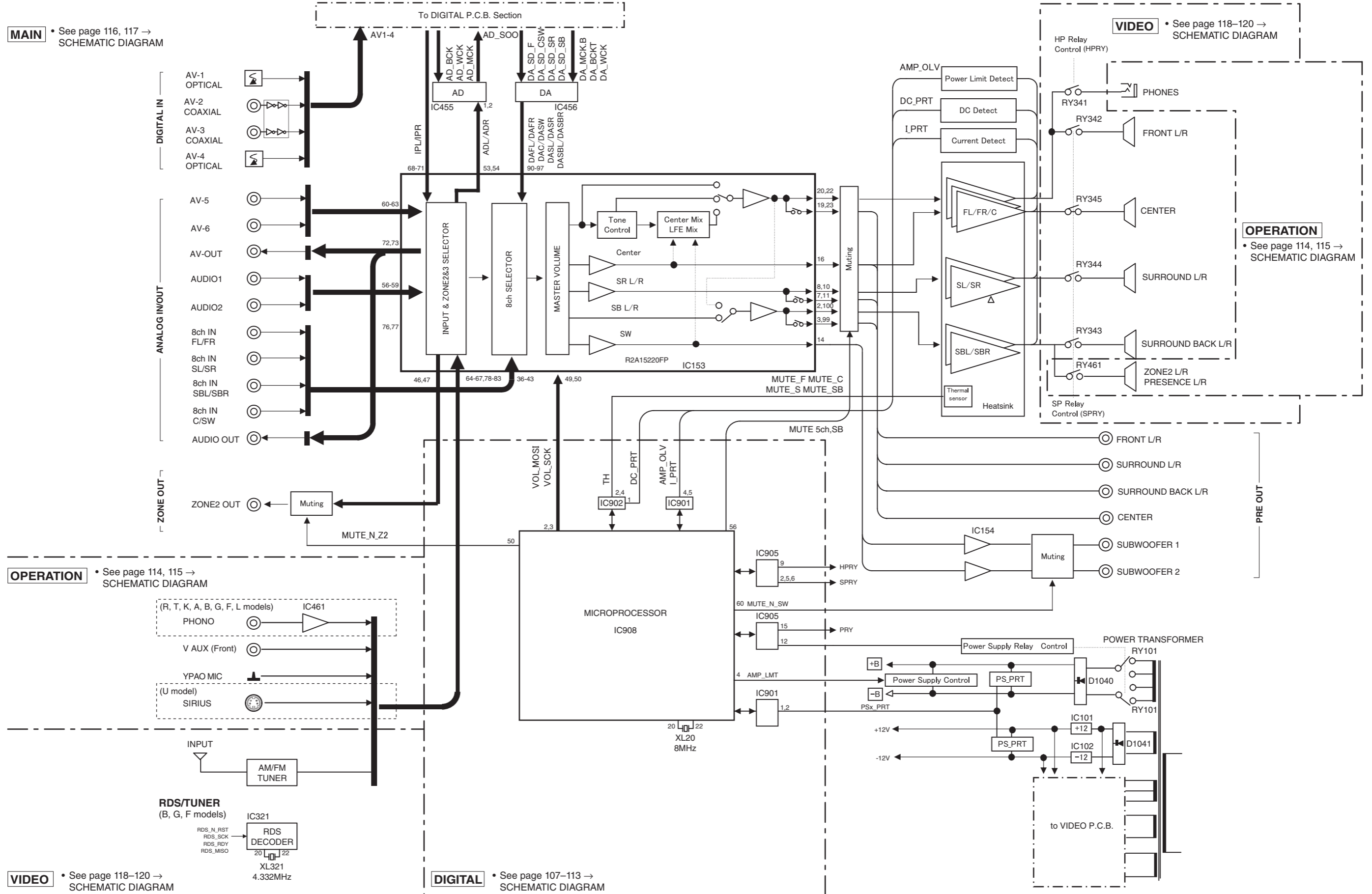
1 ■ BLOCK DIAGRAMS

ANALOG AUDIO Section Block Diagram

MAIN • See page 116, 117 → SCHEMATIC DIAGRAM

VIDEO • See page 118-120 → SCHEMATIC DIAGRAM

OPERATION • See page 114, 115 → SCHEMATIC DIAGRAM



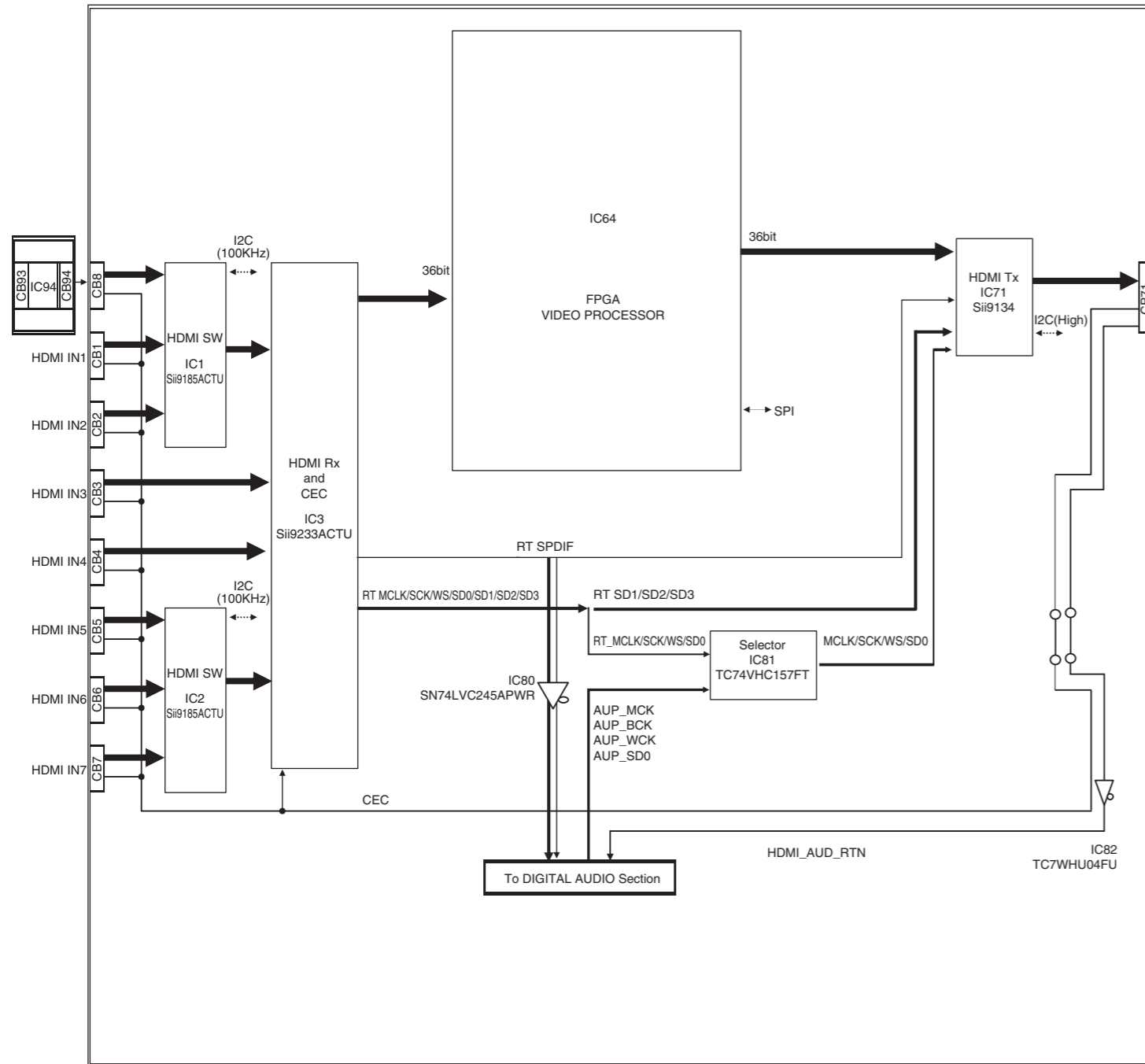
VIDEO • See page 118-120 → SCHEMATIC DIAGRAM

DIGITAL • See page 107-113 → SCHEMATIC DIAGRAM

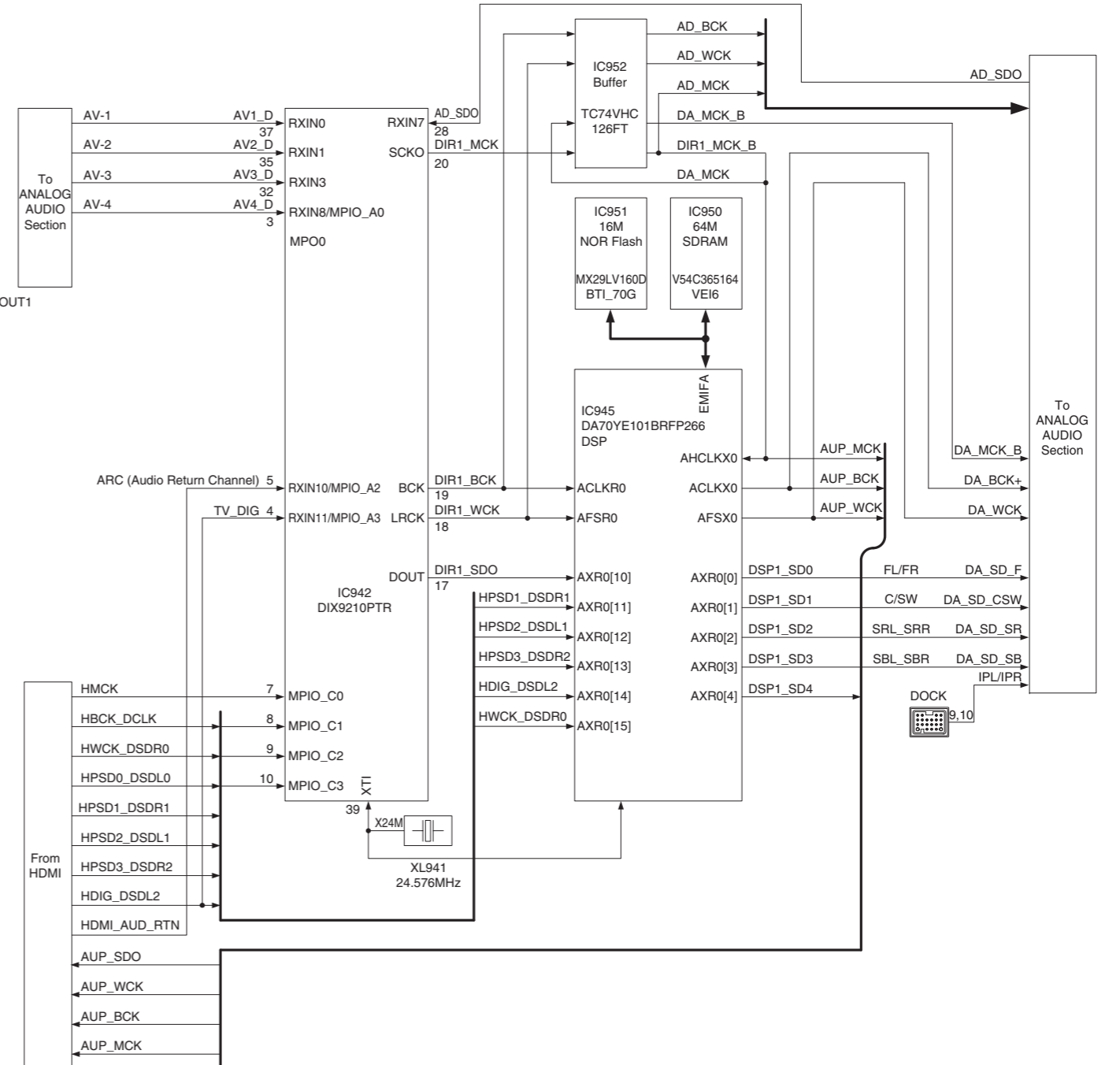
DIGITAL P.C.B. Section Block Diagram

DIGITAL • See page 107-113 → SCHEMATIC DIAGRAM

HDMI Section



DIGITAL AUDIO Section



VIDEO Section Block Diagram

1
2
3
4
5
6
7

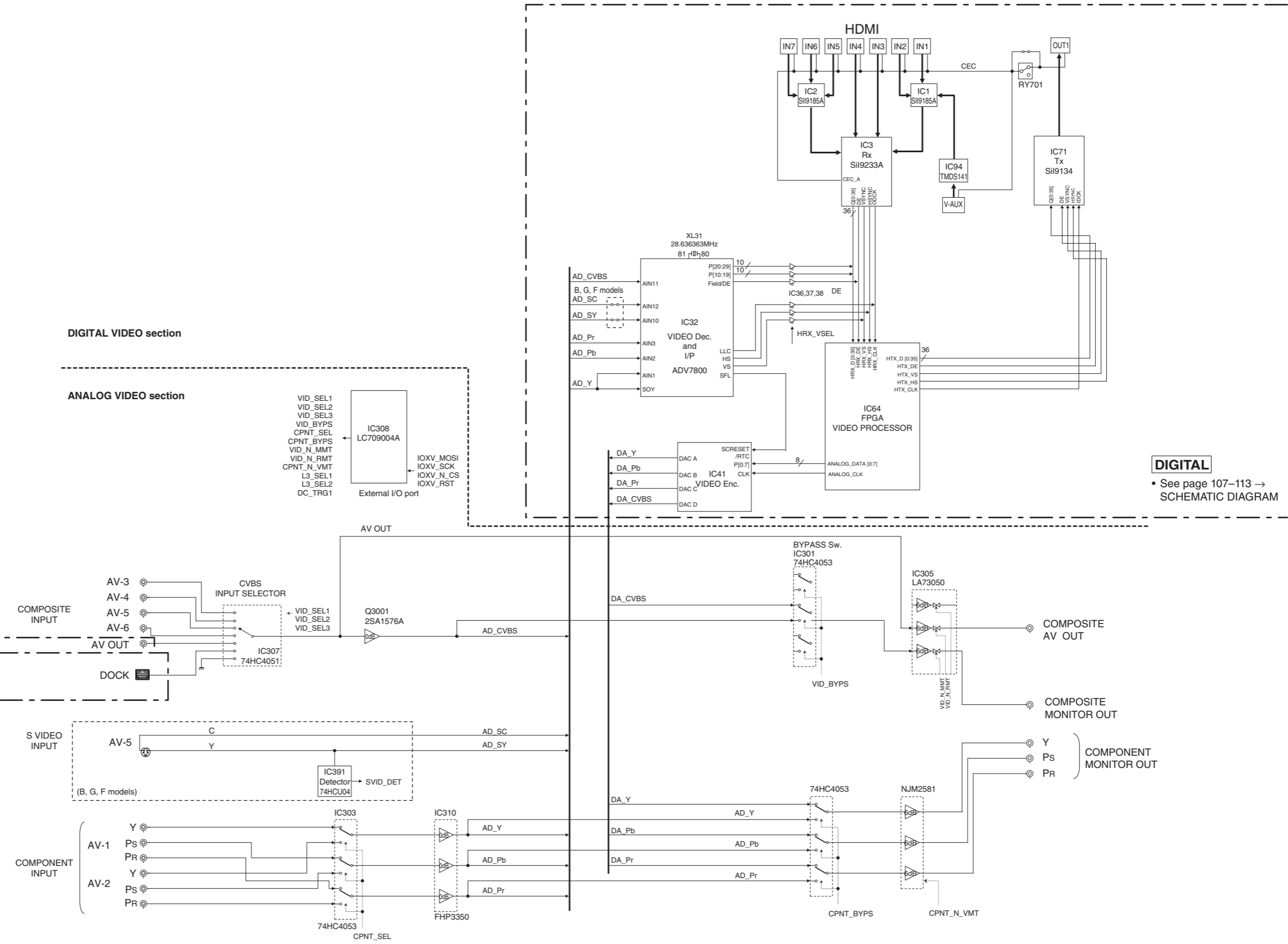
DIGITAL VIDEO section

ANALOG VIDEO section

OPERATION • See page 114, 115 → SCHEMATIC DIAGRAM

DIGITAL • See page 107–113 → SCHEMATIC DIAGRAM

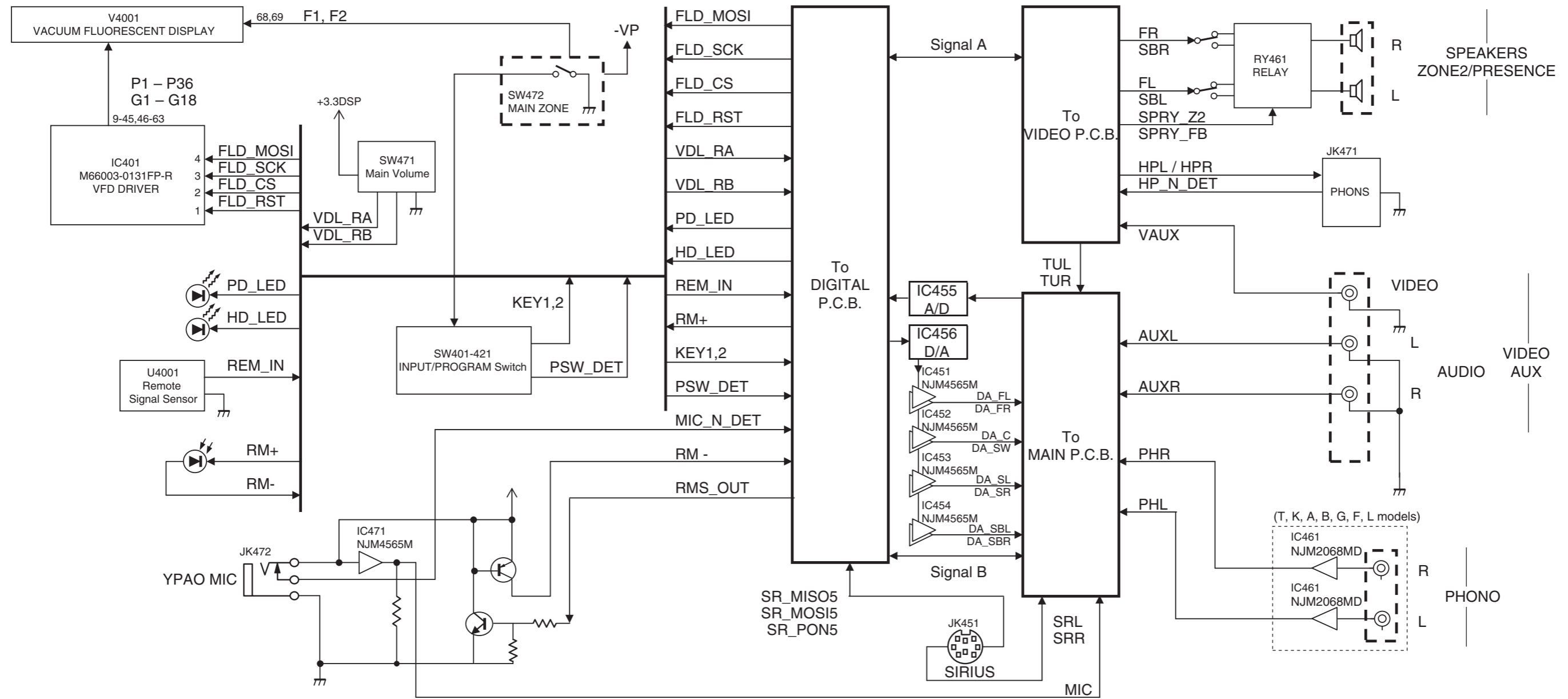
VIDEO • See page 118–120 → SCHEMATIC DIAGRAM



DIGITAL
• See page 107–113 → SCHEMATIC DIAGRAM

OPERATION P.C.B. Section Block Diagram

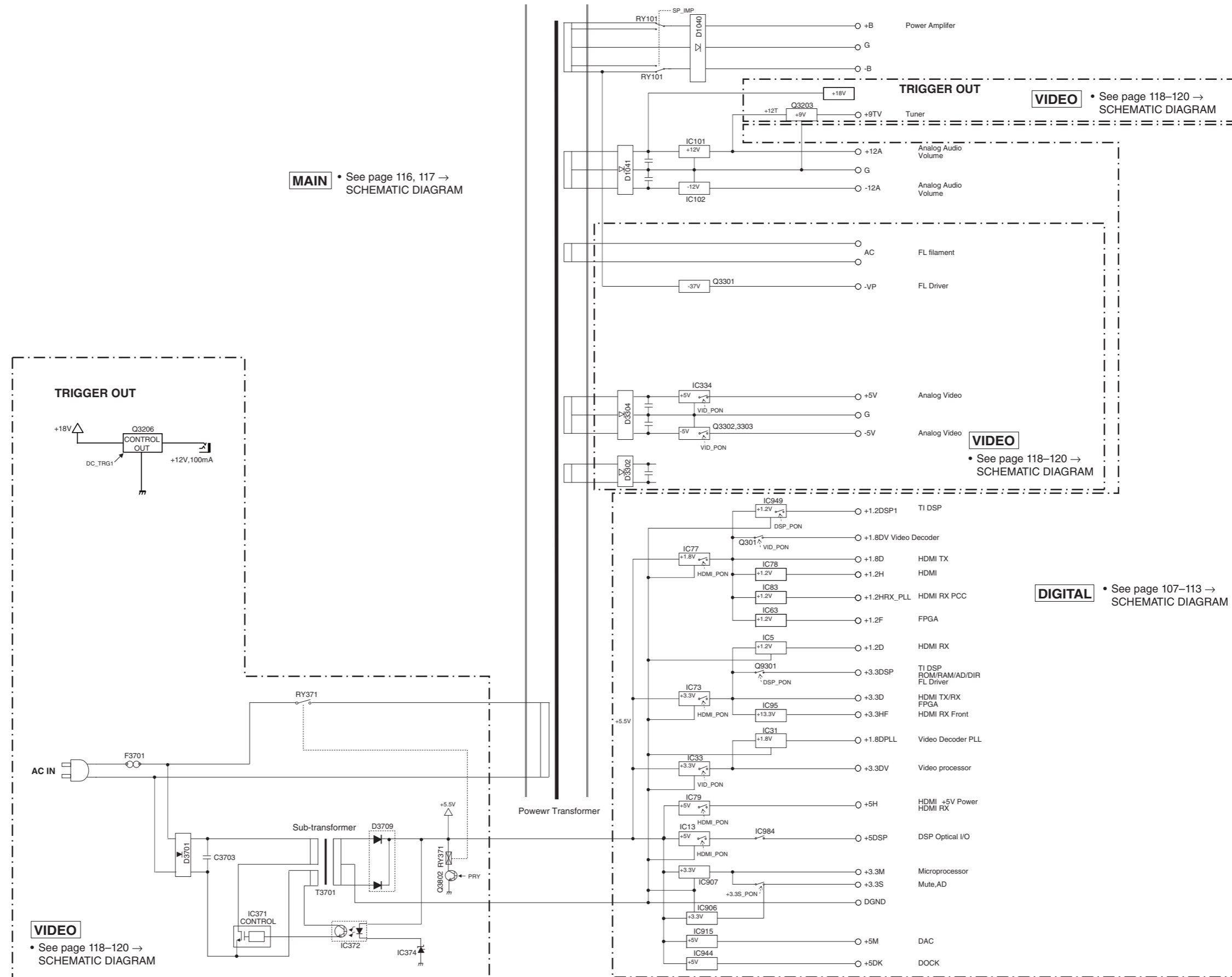
OPERATION • See page 114, 115 → SCHEMATIC DIAGRAM



Signal A
 L3_DET
 CPNT_DET
 IOXV_N_RST
 IOXV_N_CS
 IOXV_SCK
 IOXV_MOSI
 OSD_N_CS
 VID_PON
 PS2_PRT
 IPD_PON
 XM_PON
 IPV

Signal B
 AV1_D - AV4_D
 IPL /IPR
 MUTE_F
 MUTE_5CH

Power Supply Section Block Diagram



MAIN • See page 116, 117 → SCHEMATIC DIAGRAM

VIDEO • See page 118-120 → SCHEMATIC DIAGRAM

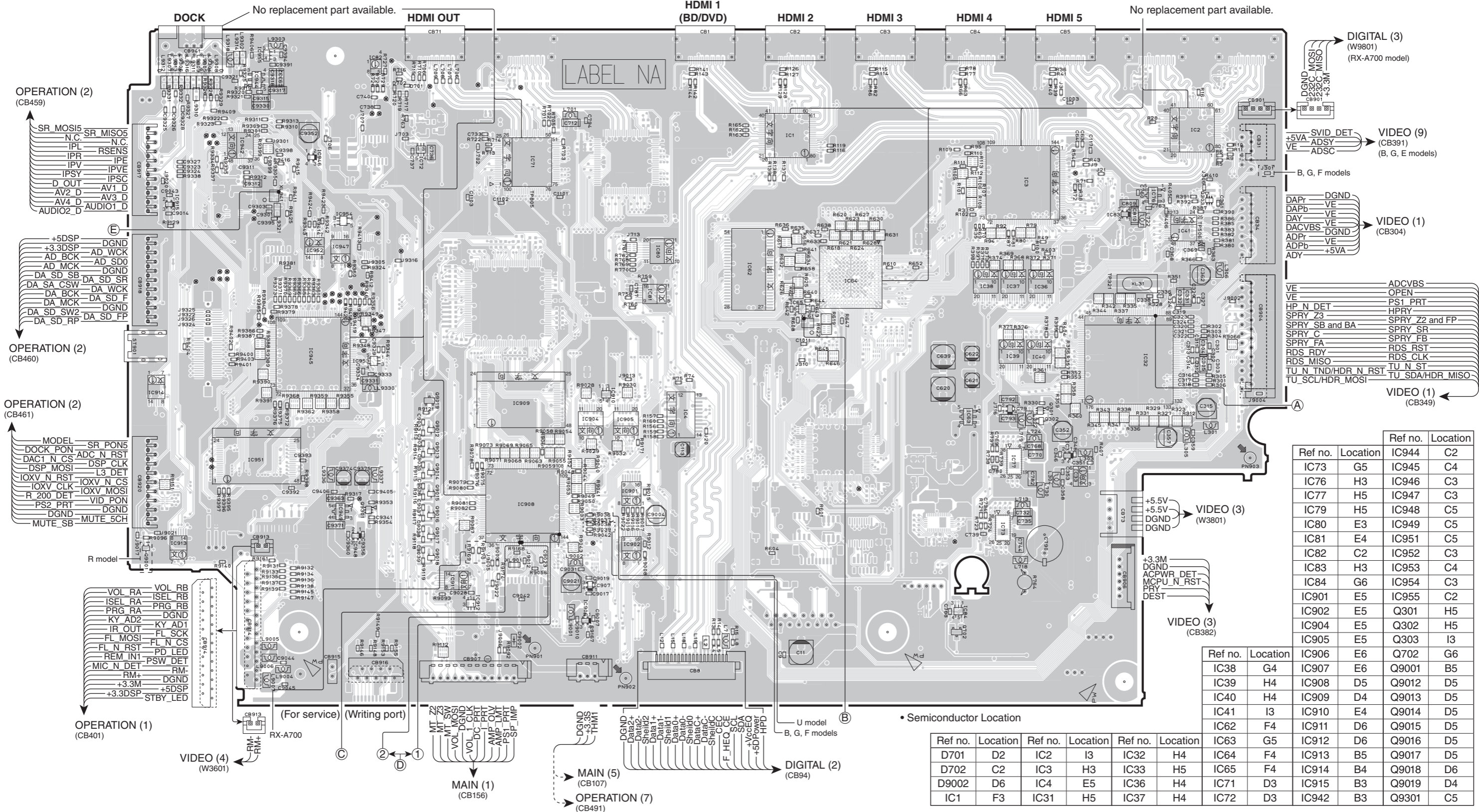
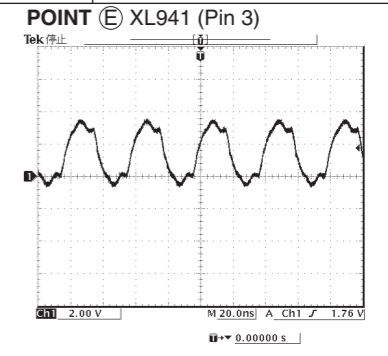
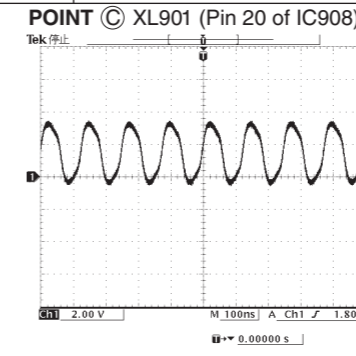
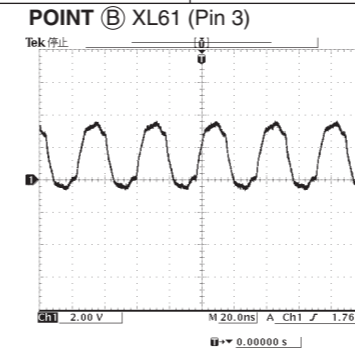
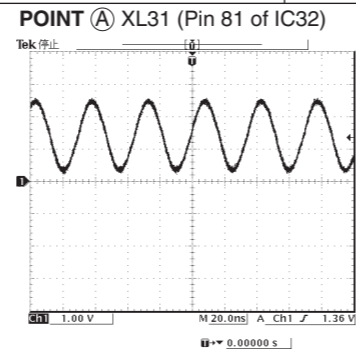
VIDEO • See page 118-120 → SCHEMATIC DIAGRAM

DIGITAL • See page 107-113 → SCHEMATIC DIAGRAM

VIDEO • See page 118-120 → SCHEMATIC DIAGRAM

PRINTED CIRCUIT BOARDS

DIGITAL (1) P.C.B. (Side A)



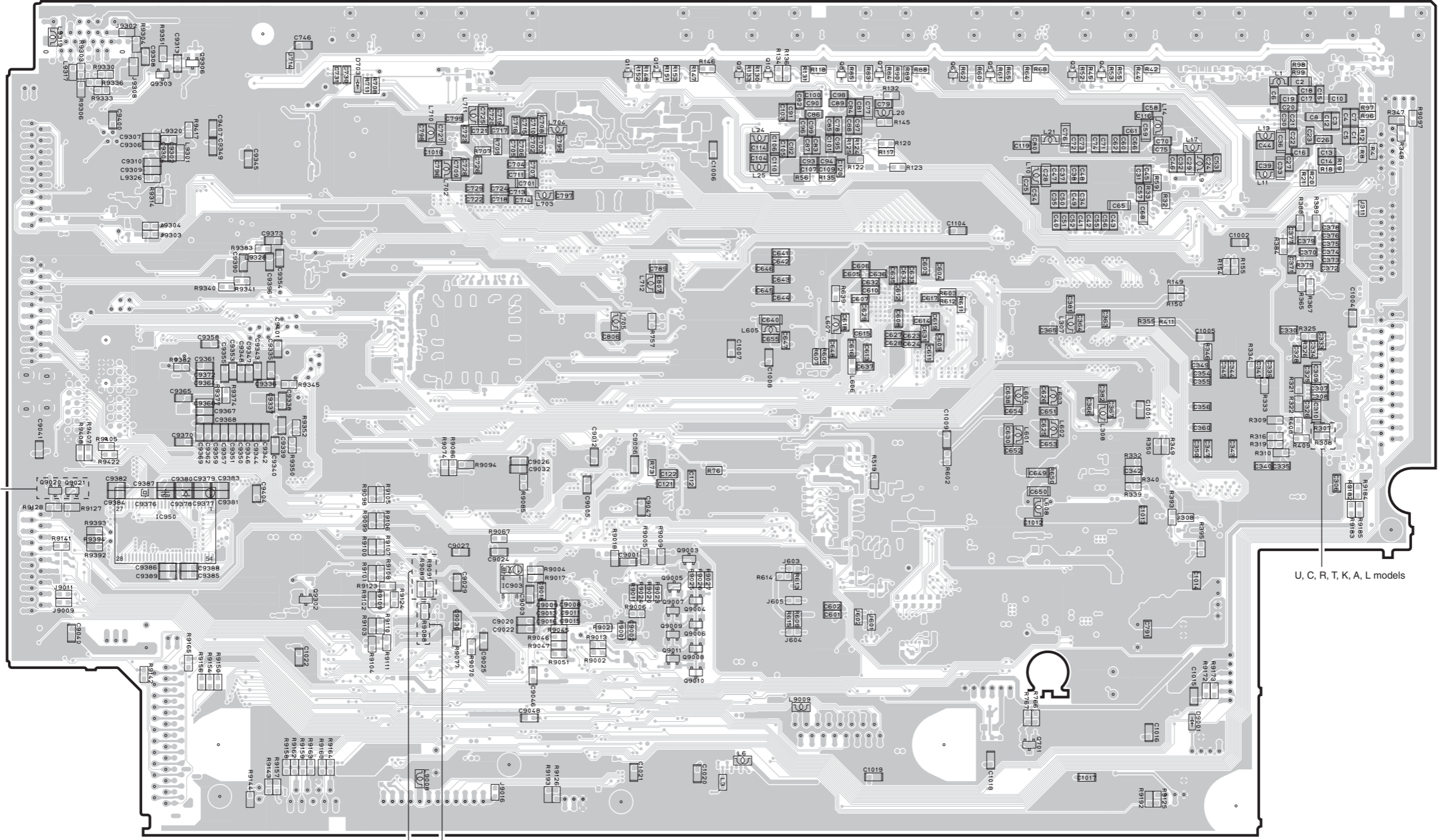
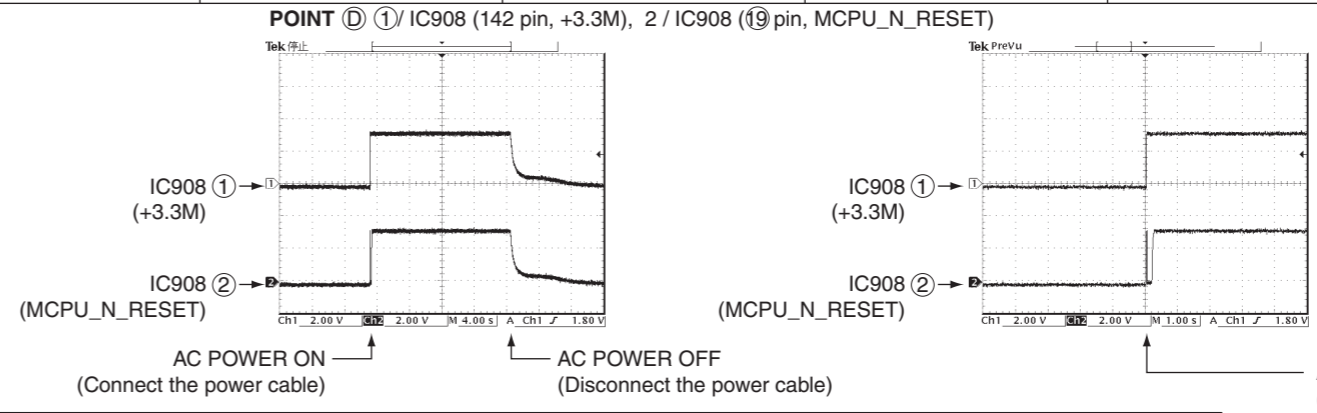
- DIGITAL (3) (W9801) (RX-A700 model)**
- DGND
 - MOSI
 - MISO
 - +3.3M
- VIDEO (9) (CB391) (B, G, E models)**
- +5VA
 - SVID_DET
 - ADSY
 - ADSC
- VIDEO (1) (CB304)**
- DAPr
 - DAPb
 - DAY
 - DACVBS
 - ADPr
 - ADPb
 - ADY
 - DGND
 - VE
 - VE
 - HP N_DET
 - SPRY_Z3
 - SPRY_SB and BA
 - SPRY_C
 - SPRY_FA
 - RDS_RDY
 - RDS_MISO
 - TU N_TND/HDR N_RST
 - TU N_ST
- VIDEO (1) (CB349)**
- ADCVBS
 - OPEN
 - PS1_PRT
 - HPRY
 - SPRY_Z2 and FP
 - SPRY_SR
 - SPRY_FB
 - RDS_CLK
 - TU N_ST
 - TU_SDA/HDR_MISO

- VIDEO (3) (W3801)**
- +5.5V
 - +5.5V
 - DGND
 - DGND
- VIDEO (3) (W3802)**
- +3.3M
 - DGND
 - ACPWR_DET
 - MCPU_N_RST
 - DEST

Semiconductor Location

Ref no.	Location	Ref no.	Location	Ref no.	Location	Ref no.	Location
D701	D2	IC2	I3	IC32	H4	IC63	G5
D702	C2	IC3	H3	IC33	H5	IC64	F4
D9002	D6	IC4	E5	IC36	H4	IC71	D3
IC1	F3	IC31	H5	IC37	H4	IC72	D3
IC73	G5	IC94	C2	IC944	C2	IC906	E6
IC76	H3	IC95	C4	IC945	C4	IC907	E6
IC77	H5	IC96	C3	IC946	C3	IC908	D5
IC79	H5	IC97	C3	IC947	C3	IC909	D4
IC80	E3	IC98	C5	IC948	C5	IC910	E4
IC81	E4	IC99	C5	IC949	C5	IC911	D6
IC82	C2	IC100	I3	IC950	I3	IC912	D6
IC83	H3	IC101	H5	IC951	C5	IC913	B5
IC84	G6	IC102	H5	IC952	C3	IC914	B4
IC901	E5	IC103	H5	IC953	C4	IC915	B3
IC902	E5	IC104	H5	IC954	C3	IC916	D5
IC904	E5	IC105	H5	IC955	C2	IC917	D5
IC905	E5	IC106	H5	IC956	C2	IC918	D6
IC906	E6	IC107	H5	IC957	C2	IC919	D4
IC38	G4	IC108	H5	IC958	C2	IC920	B3
IC39	H4	IC109	H5	IC959	C2	IC921	B3
IC40	H4	IC110	H5	IC960	C2	IC922	B3
IC41	I3	IC111	H5	IC961	C2	IC923	B3
IC62	F4	IC112	H5	IC962	C2	IC924	B3
IC63	G5	IC113	H5	IC963	C2	IC925	B3
IC64	F4	IC114	H5	IC964	C2	IC926	B3
D702	C2	IC115	H5	IC965	C2	IC927	B3
D9002	D6	IC116	H5	IC966	C2	IC928	B3
IC1	F3	IC117	H5	IC967	C2	IC929	B3
		IC118	H5	IC968	C2	IC930	B3
		IC119	H5	IC969	C2	IC931	B3
		IC120	H5	IC970	C2	IC932	B3

DIGITAL (1) P.C.B. (Side B)



• Semiconductor Location

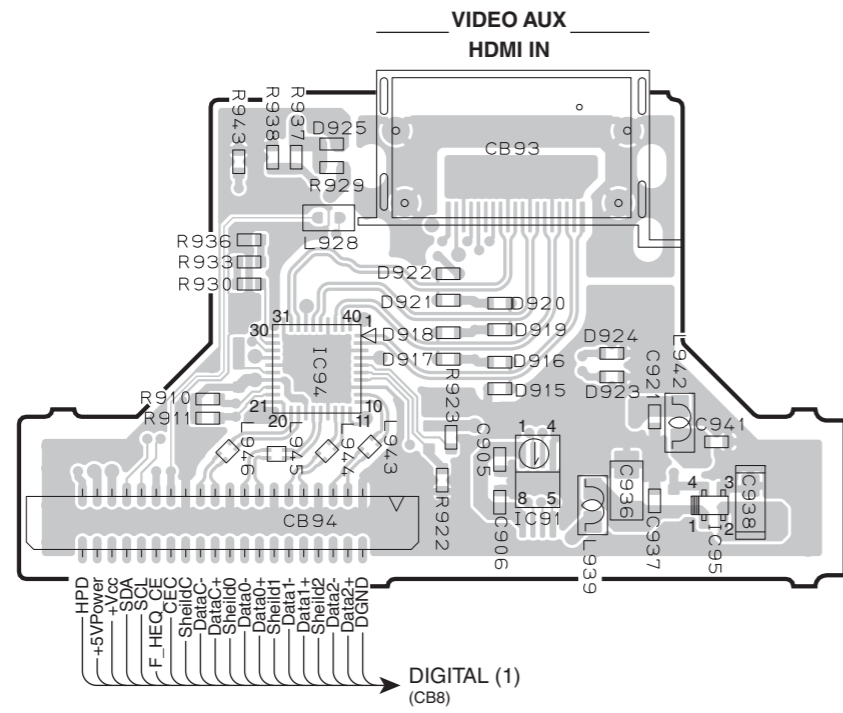
Ref no.	Location
D703	C2
D9001	H6
IC903	D5
IC950	B5
Q3	G2
Q4	G2
Q5	G2
Q6	F2
Q7	F2
Q8	F2
Q9	E2
Q10	E2
Q11	E2
Q12	E2
Q701	G6
Q9003	E5
Q9004	E5
Q9005	E5
Q9006	E5
Q9007	E5
Q9008	E5
Q9009	E5
Q9010	E6
Q9011	E6
Q9020	A5
Q9021	B5
Q9302	C5
Q9303	B2
Q9306	B2

U, C, R, T, K, A, L models

B, G, F models U model

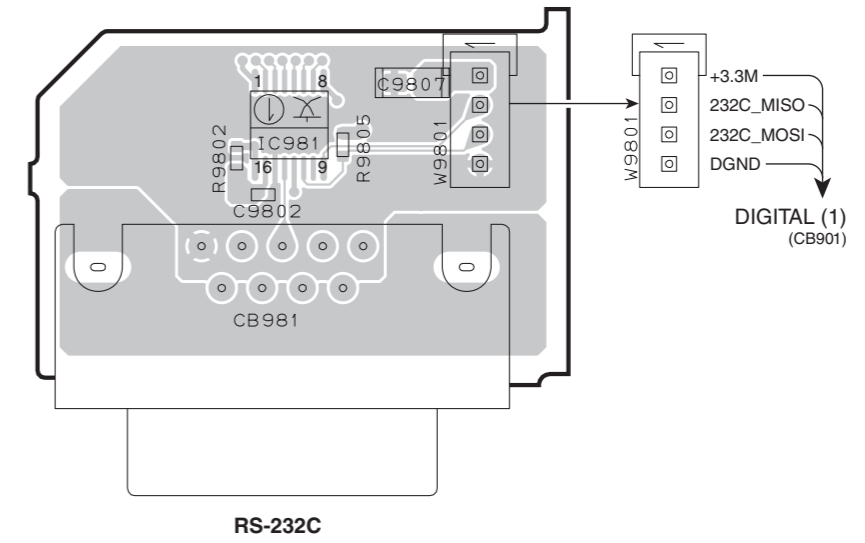
1
2
3
4
5
6
7

DIGITAL (2) P.C.B. (Side A)



DIGITAL (3) P.C.B. (Side A)

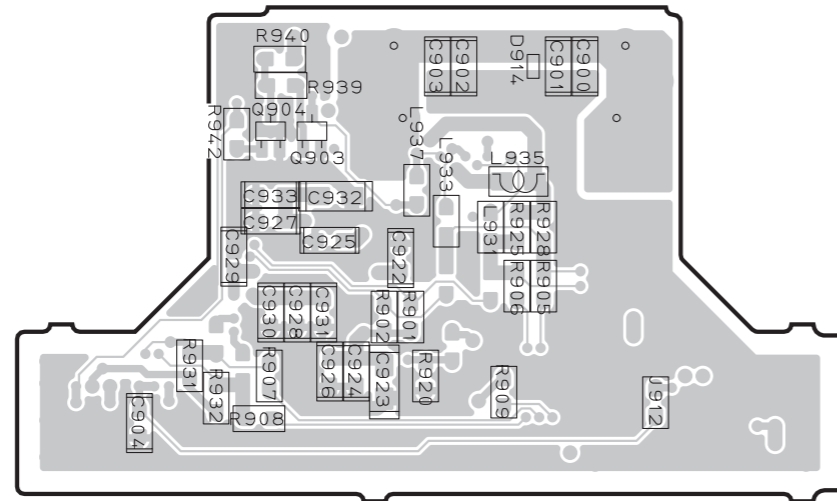
RX-A700 model



• Semiconductor Location

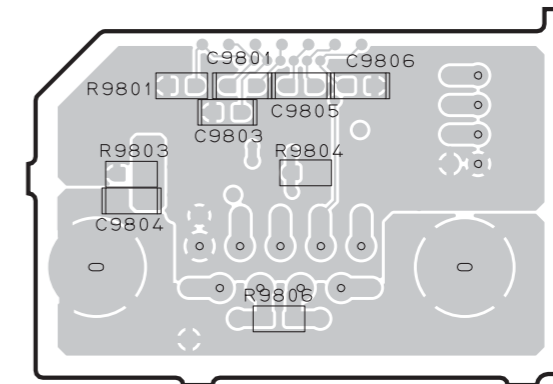
Ref no.	Location
D915	D4
D916	D4
D917	C4
D918	C4
D919	D4
D920	D4
D921	C4
D922	C4
D923	D4
D924	D4
D925	C3
IC91	D4
IC94	C4
IC95	D4
IC981	H3

DIGITAL (2) P.C.B. (Side B)



DIGITAL (3) P.C.B. (Side B)

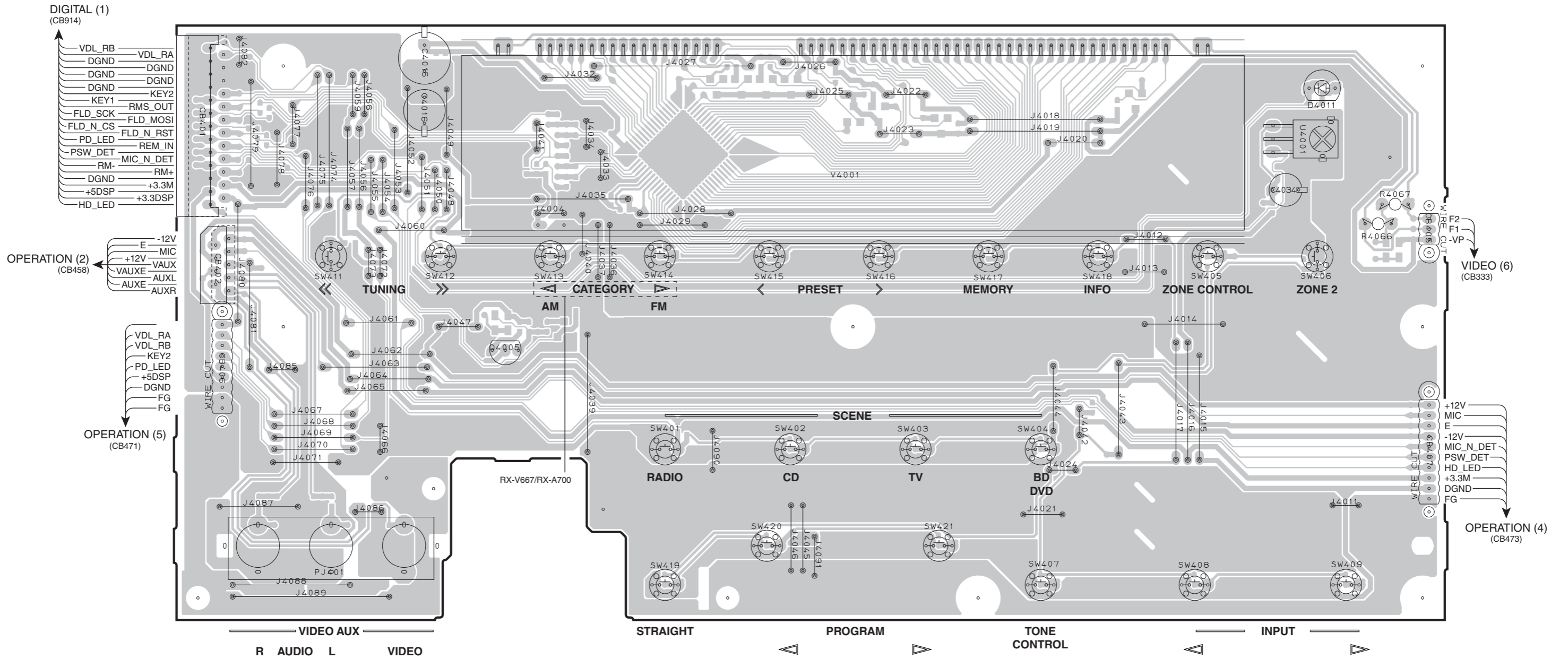
RX-A700 model



• Semiconductor Location

Ref no.	Location
D914	D3
Q903	C3
Q904	C3

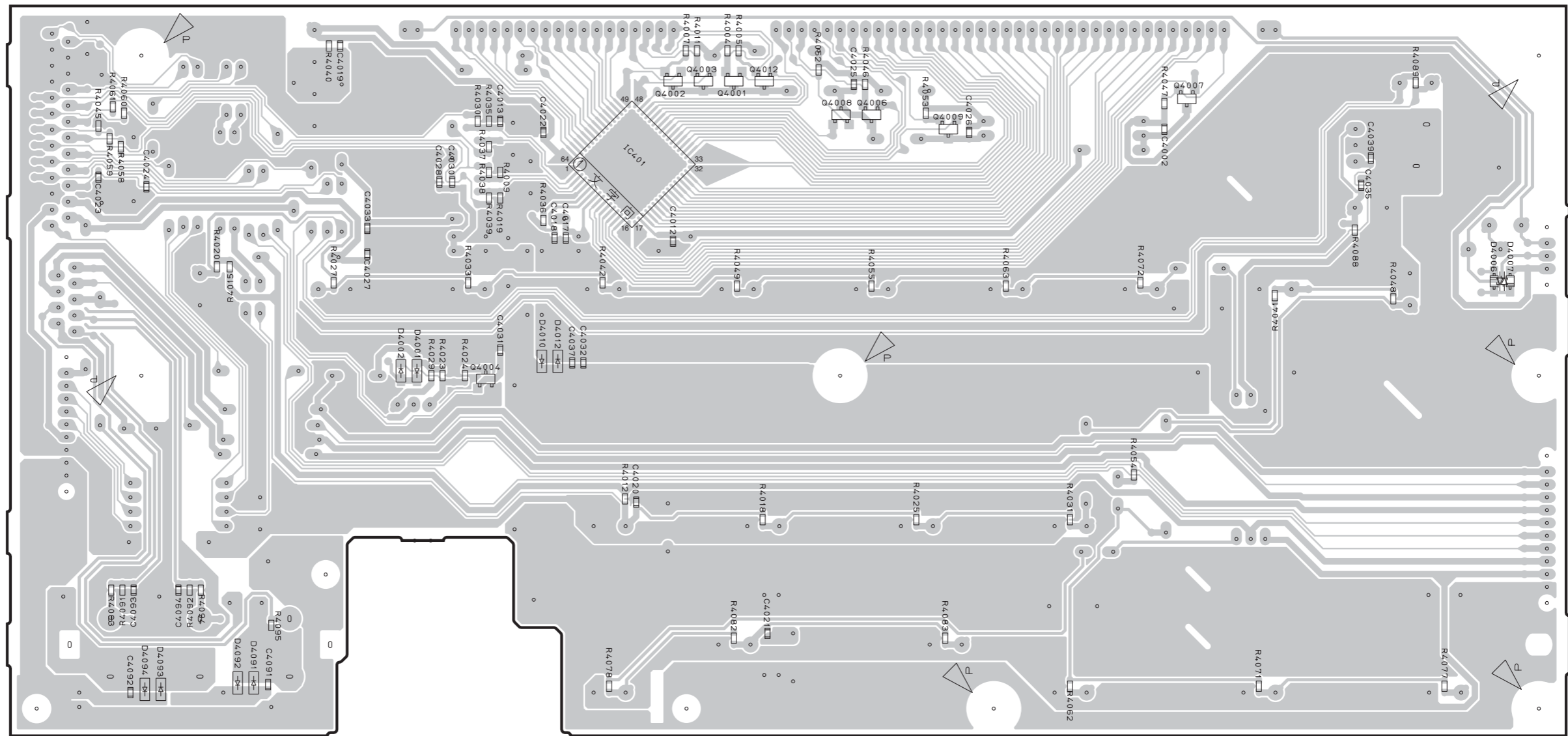
OPERATION (1) P.C.B. (Side A)



• Semiconductor Location

Ref no.	Location
D4011	I3
Q4005	D4

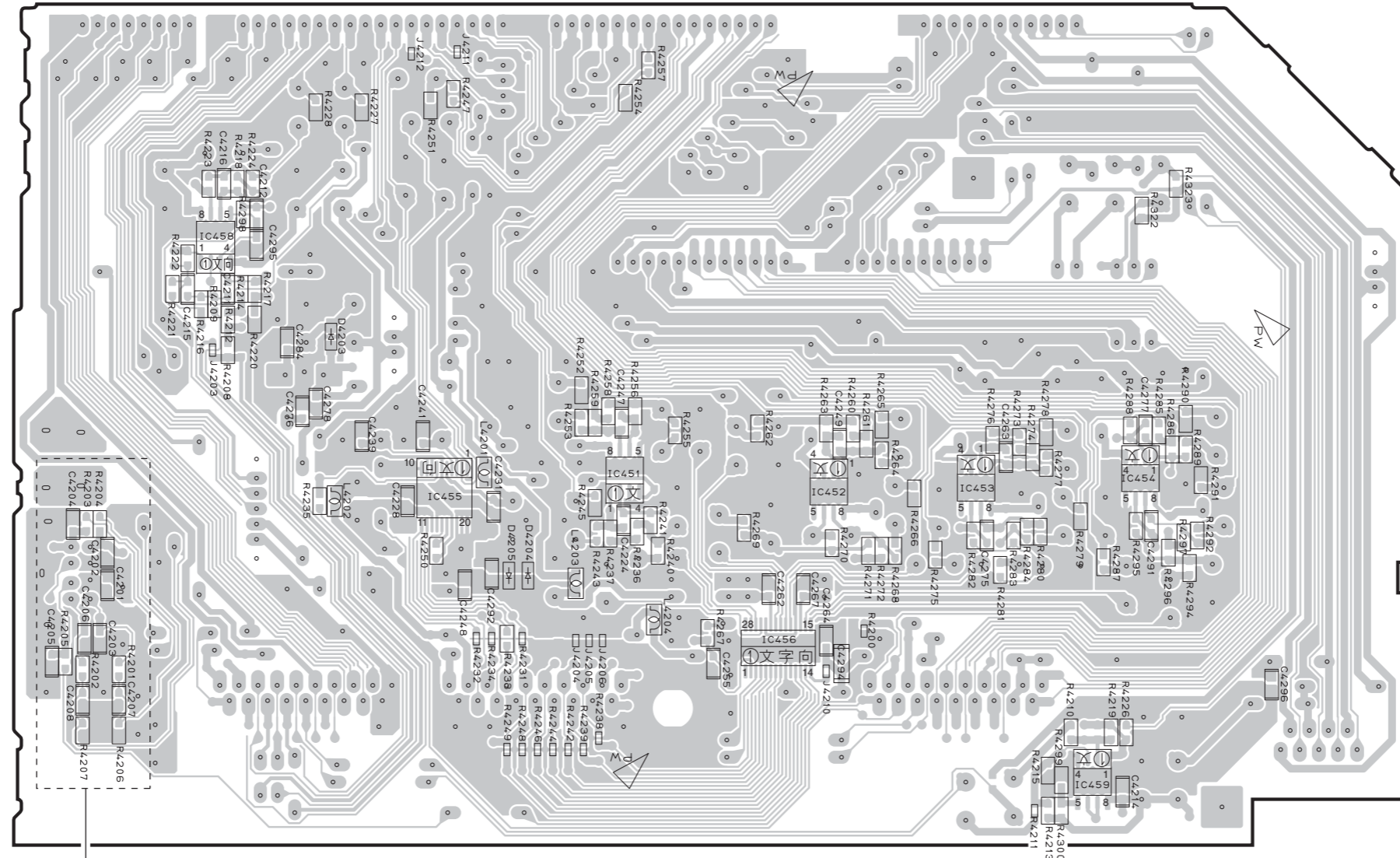
OPERATION (1) P.C.B. (Side B)



• Semiconductor Location

Ref no.	Location	Ref no.	Location	Ref no.	Location
D4001	D4	D4092	C6	Q4004	D4
D4002	D4	D4093	B6	Q4006	F3
D4006	I4	D4094	B6	Q4007	H3
D4007	I4	IC401	E3	Q4008	F3
D4010	D4	Q4001	E3	Q4009	F3
D4012	D4	Q4002	E3	Q4012	E3
D4091	C6	Q4003	E3		

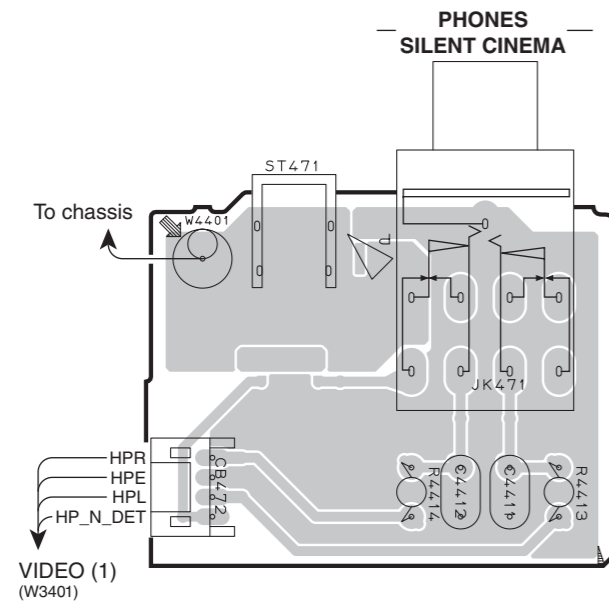
OPERATION (2) P.C.B. (Side B)



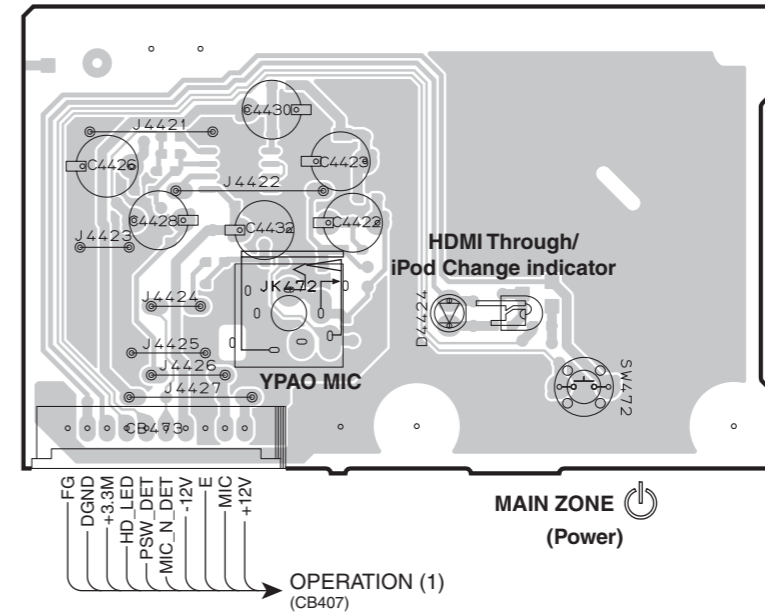
• Semiconductor Location

Ref no.	Location
D4203	D4
D4204	D5
D4205	D5
IC451	E4
IC452	F4
IC453	F4
IC454	G4
IC455	D4
IC456	E5
IC458	C3
IC459	G6

OPERATION (3) P.C.B. (Side A)



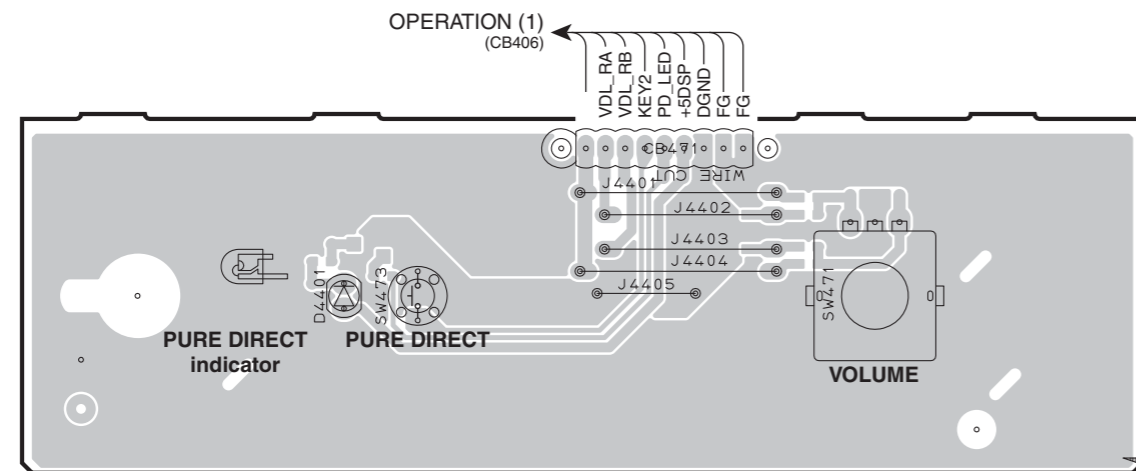
OPERATION (4) P.C.B. (Side A)



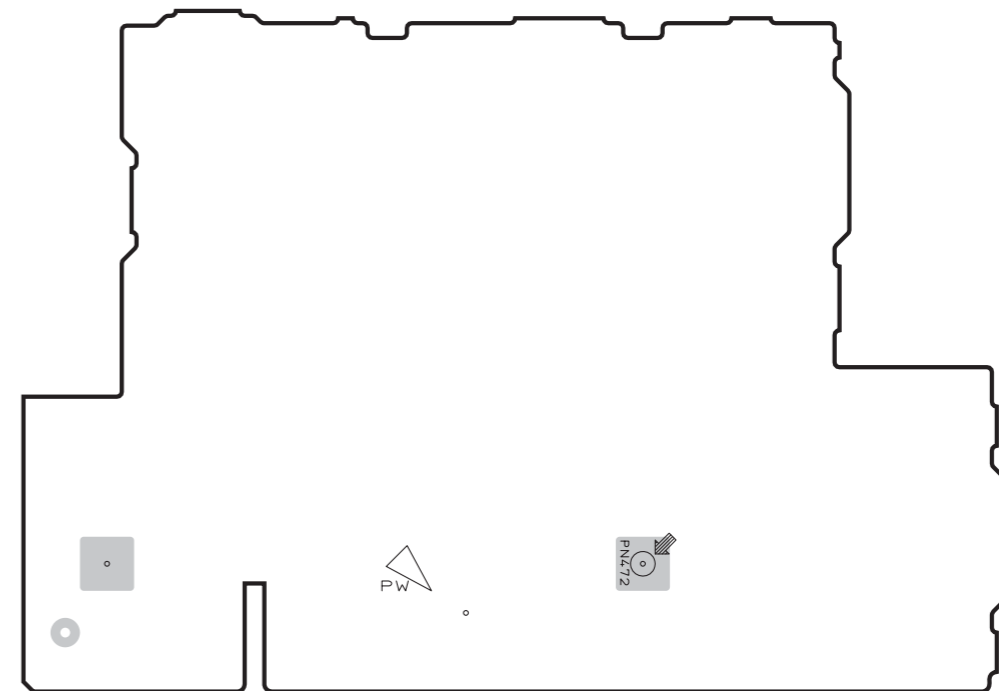
• Semiconductor Location

Ref no.	Location
D4401	C6
D4424	H3

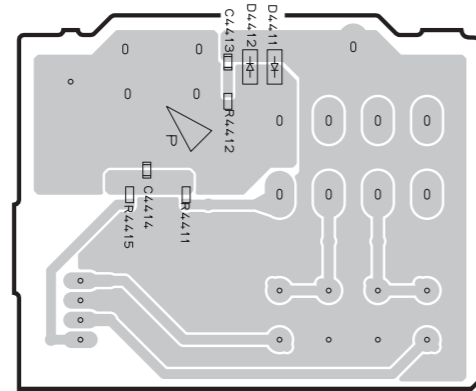
OPERATION (5) P.C.B. (Side A)



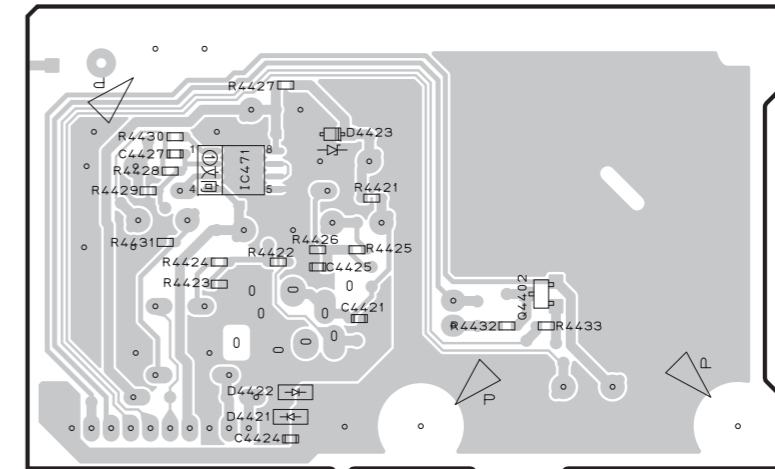
OPERATION (6) P.C.B. (Side A)



OPERATION (3) P.C.B. (Side B)



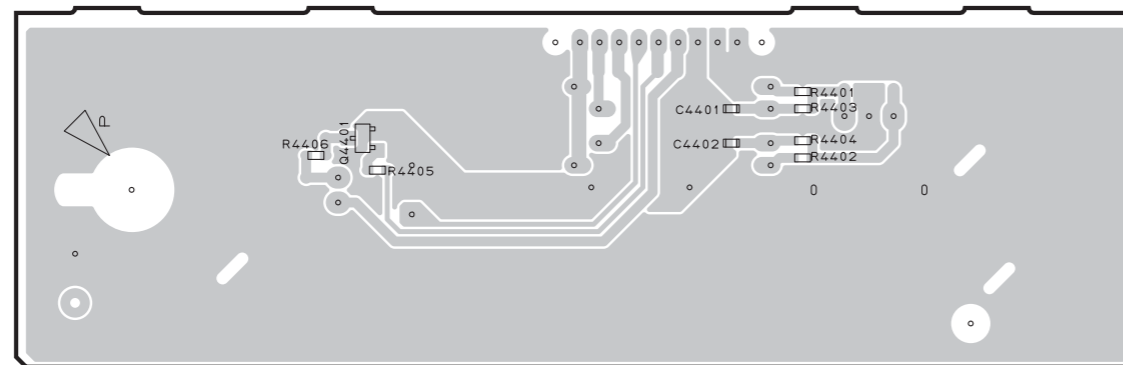
OPERATION (4) P.C.B. (Side B)



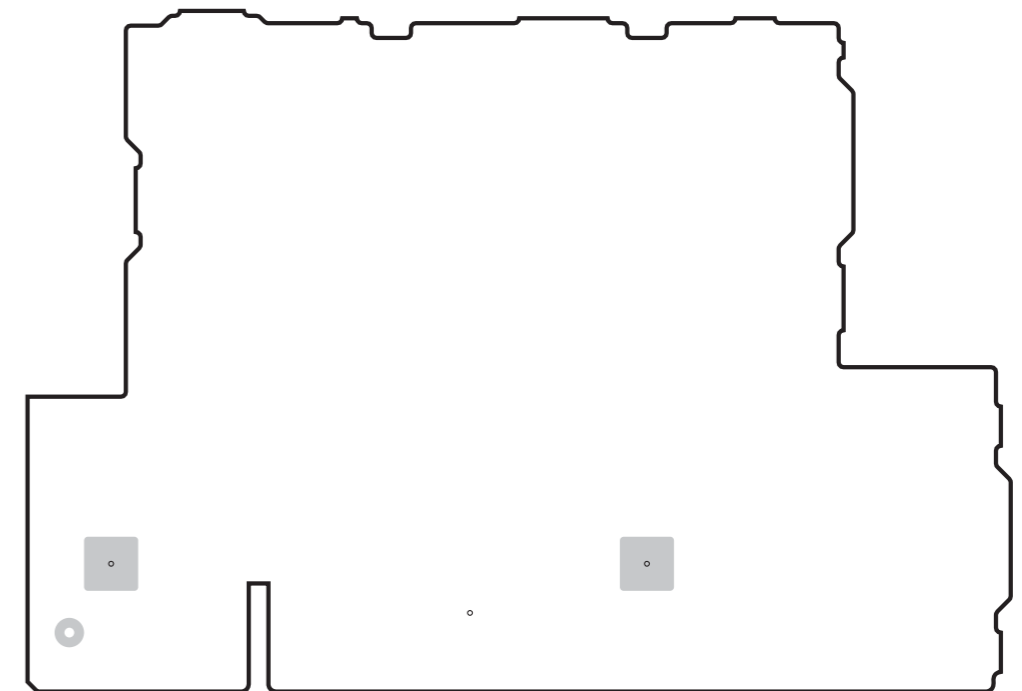
• Semiconductor Location

Ref no.	Location
D4411	C2
D4412	C2
D4421	H3
D4422	H3
D4423	H2
IC471	G2
Q4401	C6
Q4402	H3

OPERATION (5) P.C.B. (Side B)

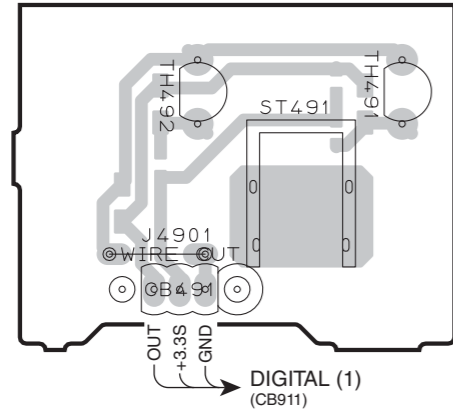


OPERATION (6) P.C.B. (Side B)

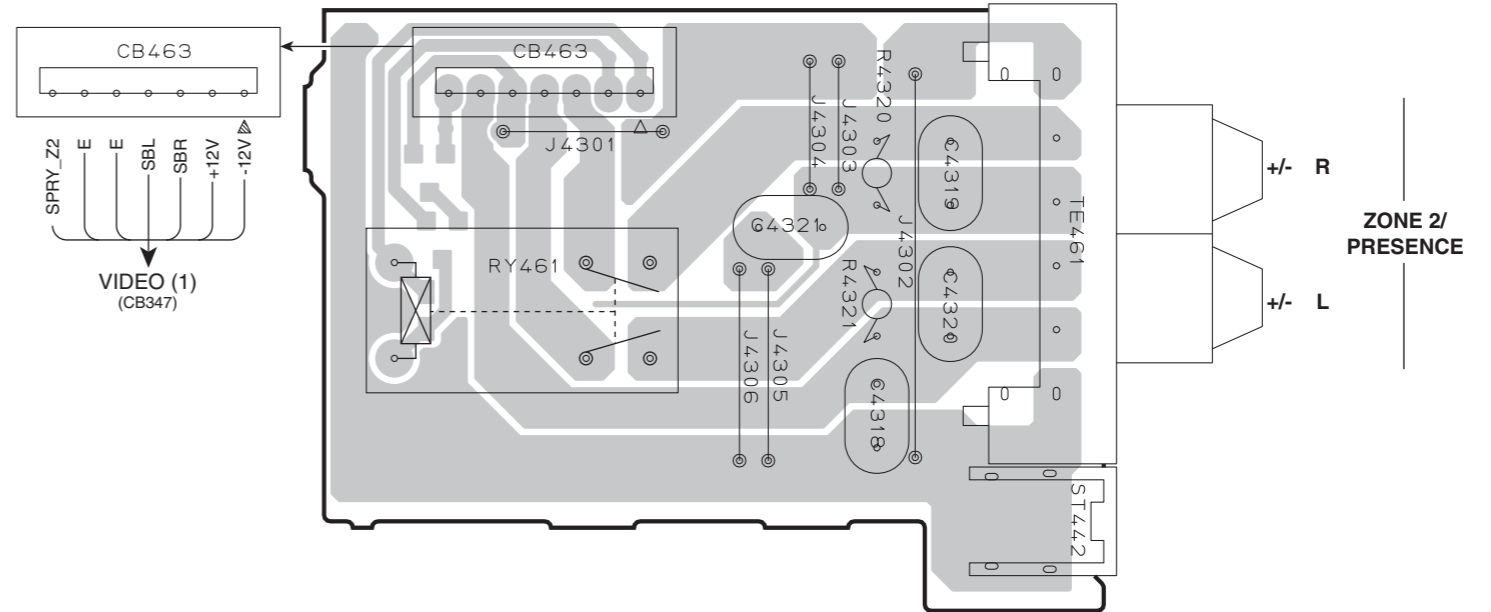


OPERATION (7) P.C.B. (Side A)

C model

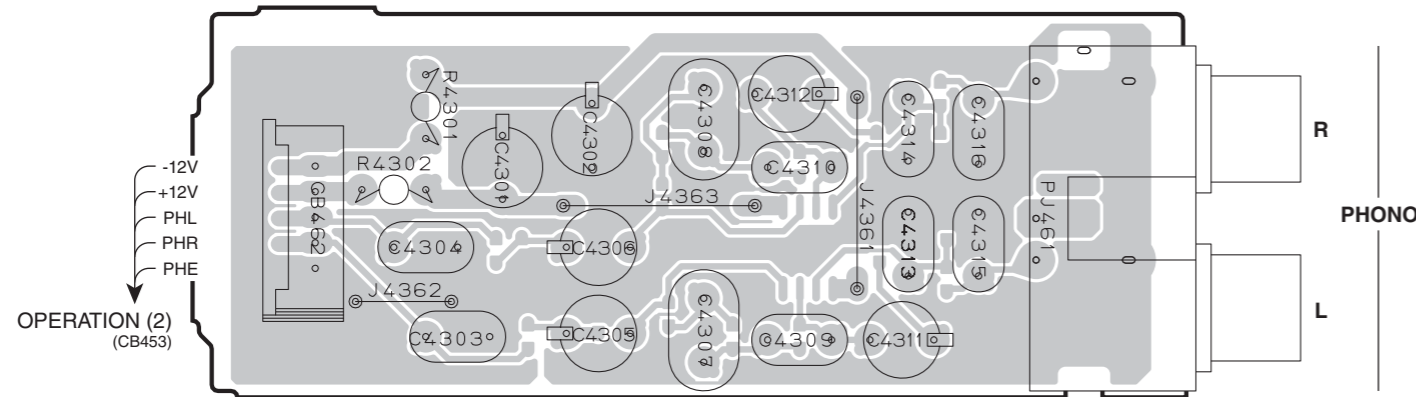


OPERATION (8) P.C.B. (Side A)

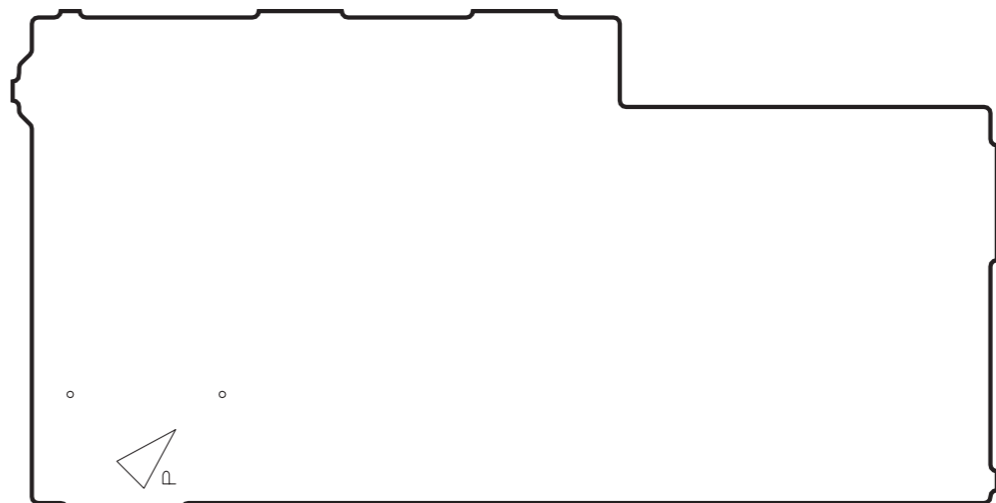


OPERATION (9) P.C.B. (Side A)

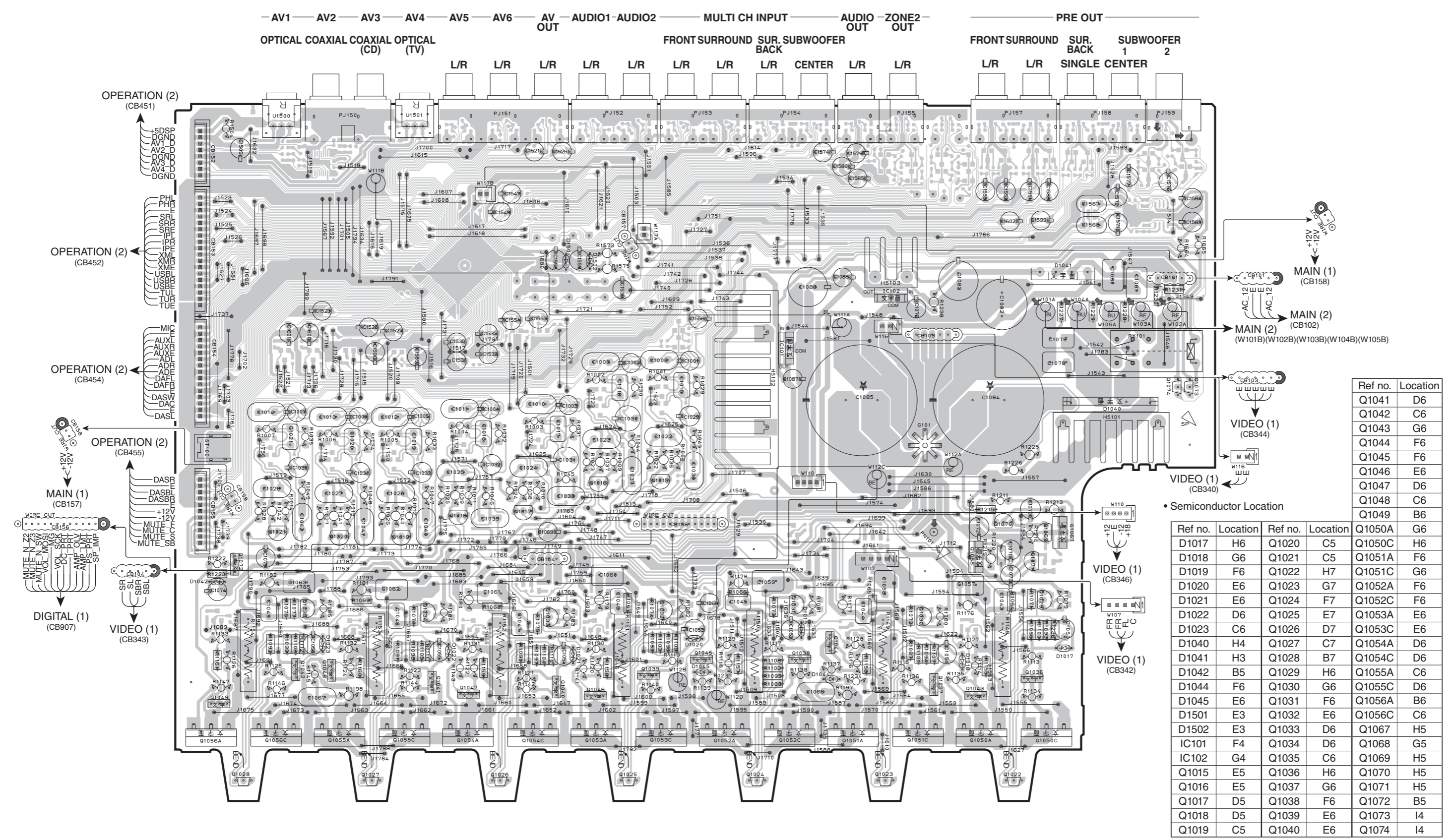
R, T, K, A, B, G, F, L models



OPERATION (10) P.C.B. (Side A)



MAIN (1) P.C.B. (Side A)

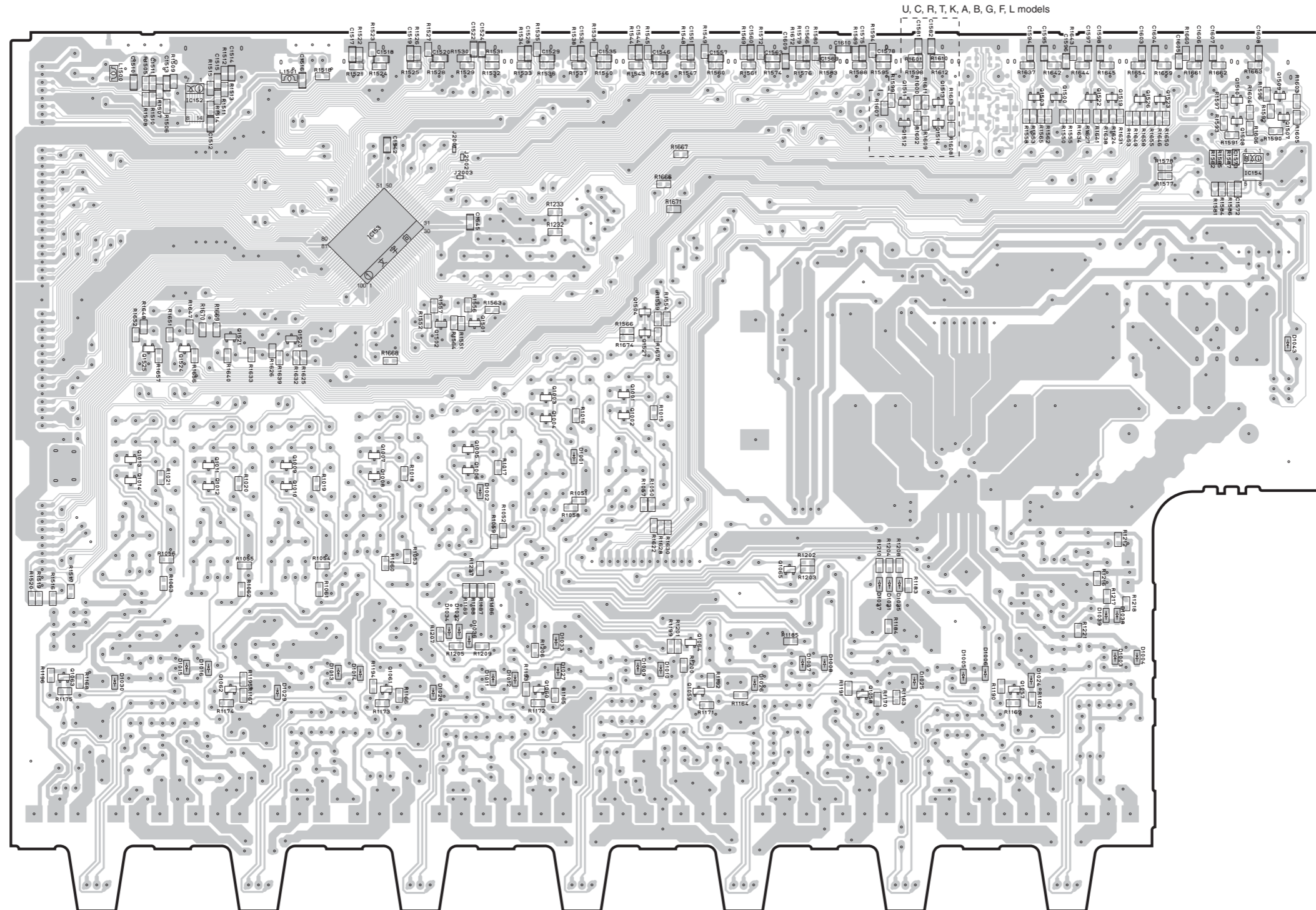


Ref no.	Location
Q1041	D6
Q1042	C6
Q1043	G6
Q1044	F6
Q1045	F6
Q1046	E6
Q1047	D6
Q1048	C6
Q1049	B6

• Semiconductor Location

Ref no.	Location	Ref no.	Location	Ref no.	Location
D1017	H6	Q1020	C5	Q1050A	G6
D1018	G6	Q1021	C5	Q1050C	H6
D1019	F6	Q1022	H7	Q1051A	F6
D1020	E6	Q1023	G7	Q1051C	G6
D1021	E6	Q1024	F7	Q1052A	F6
D1022	D6	Q1025	E7	Q1052C	F6
D1023	C6	Q1026	D7	Q1053A	E6
D1040	H4	Q1027	C7	Q1053C	E6
D1041	H3	Q1028	B7	Q1054A	D6
D1042	B5	Q1029	H6	Q1054C	D6
D1044	F6	Q1030	G6	Q1055A	C6
D1045	E6	Q1031	F6	Q1055C	D6
D1501	E3	Q1032	E6	Q1056A	B6
D1502	E3	Q1033	D6	Q1056C	C6
IC101	F4	Q1034	D6	Q1067	H5
IC102	G4	Q1035	C6	Q1068	G5
Q1015	E5	Q1036	H6	Q1069	H5
Q1016	E5	Q1037	G6	Q1070	H5
Q1017	D5	Q1038	F6	Q1071	H5
Q1018	D5	Q1039	E6	Q1072	B5
Q1019	C5	Q1040	E6	Q1073	I4
				Q1074	I4

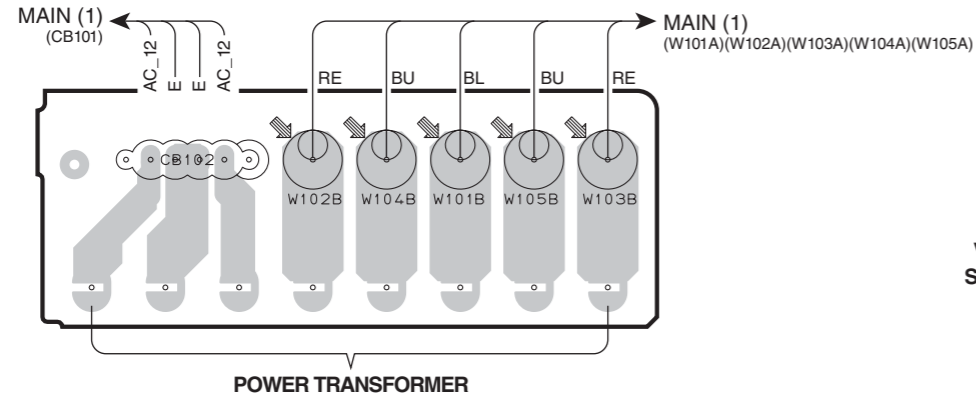
MAIN (1) P.C.B. (Side B)



• Semiconductor Location

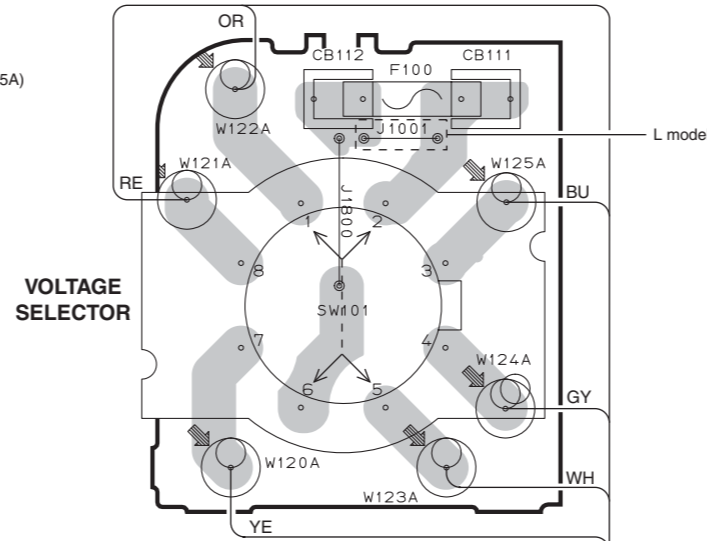
Ref no.	Location	Ref no.	Location
D1001	E4	Q1006	D5
D1002	D5	Q1007	D4
D1003	H6	Q1008	D5
D1004	H6	Q1009	C5
D1005	G6	Q1010	C5
D1006	G6	Q1011	C5
D1007	F6	Q1012	C5
D1008	F6	Q1013	B5
D1009	E6	Q1014	B5
D1010	E6	Q1057	G6
D1011	D6	Q1058	F6
D1012	E6	Q1059	E6
D1013	D6	Q1060	E6
D1014	D6	Q1061	D6
D1015	C6	Q1062	C6
D1016	C6	Q1063	B6
D1024	G6	Q1064	E5
D1025	G6	Q1065	F5
D1026	F6	Q1500	G3
D1027	E6	Q1501	D4
D1028	D6	Q1502	D4
D1029	C6	Q1503	G3
D1030	B6	Q1504	E4
D1031	G5	Q1507	I3
D1032	D5	Q1508	H3
D1033	E5	Q1509	I3
D1034	D5	Q1510	H3
D1035	G5	Q1511	G3
D1036	D5	Q1512	G3
D1037	F5	Q1513	G3
D1038	H5	Q1514	G3
D1039	H5	Q1519	H3
D1043	I4	Q1520	C4
IC152	C3	Q1521	C4
IC153	D3	Q1522	H3
IC154	H3	Q1523	H3
Q1001	E4	Q1524	C4
Q1002	E4	Q1525	C4
Q1003	E4	Q1526	H3
Q1004	E4	Q1527	E4
Q1005	D4		

MAIN (2) P.C.B. (Side A)



MAIN (3) P.C.B. (Side A)

R, L models

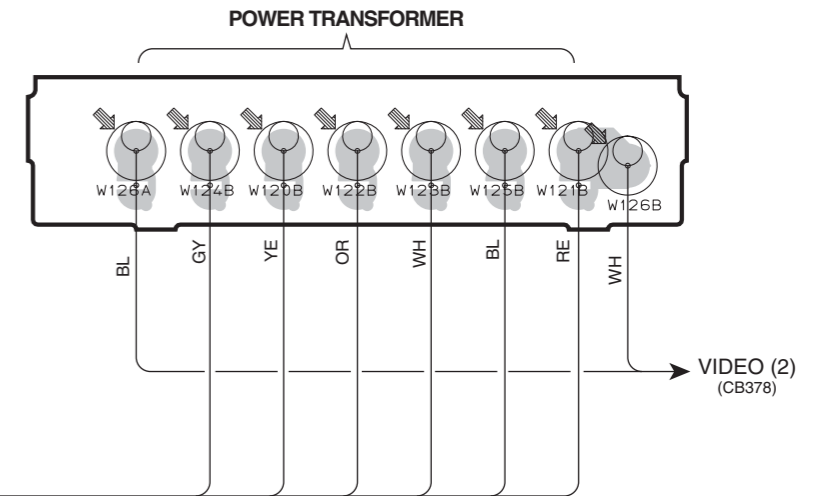


VOLTAGE SELECTOR

230-240V	1-2/5-6	R, L models
220V	2-3/6-7	R, L models
110V	3-4/7-8	R model
120V	4-5/8-1	R model

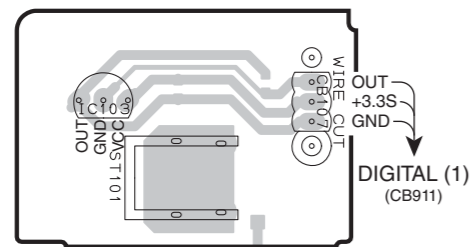
MAIN (4) P.C.B. (Side A)

R, L models



MAIN (5) P.C.B. (Side A)

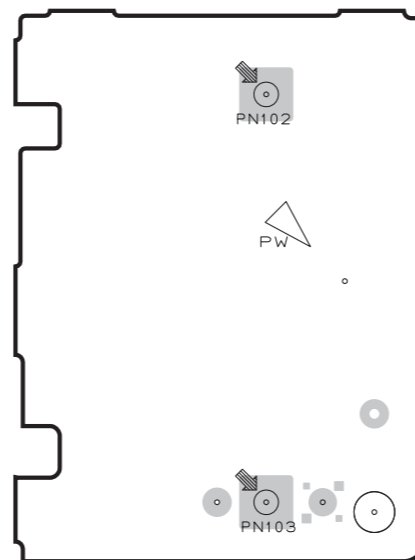
U, R, T, K, A, B, G, F, L models



• Semiconductor Location

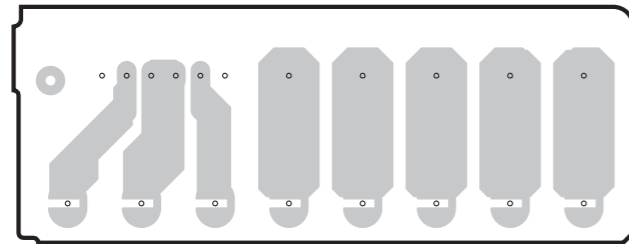
Ref no.	Location
IC103	B5

MAIN (6) P.C.B. (Side A)



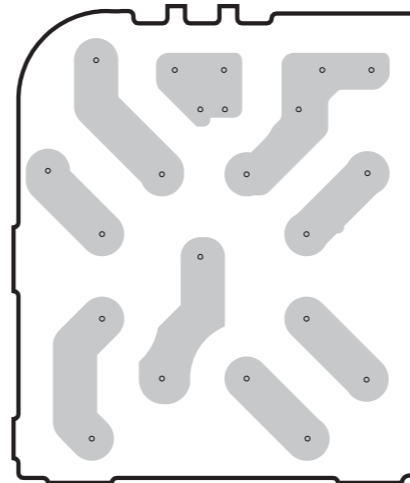
1

MAIN (2) P.C.B. (Side B)



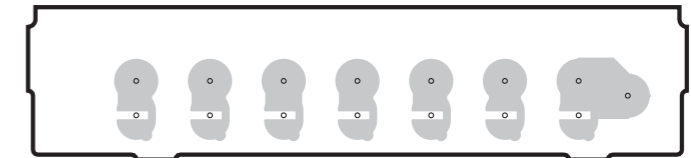
MAIN (3) P.C.B. (Side B)

R, L models



MAIN (4) P.C.B. (Side B)

R, L models



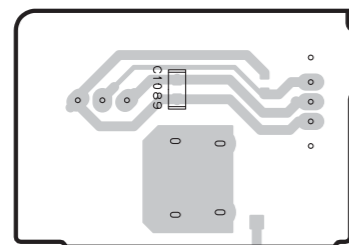
2

3

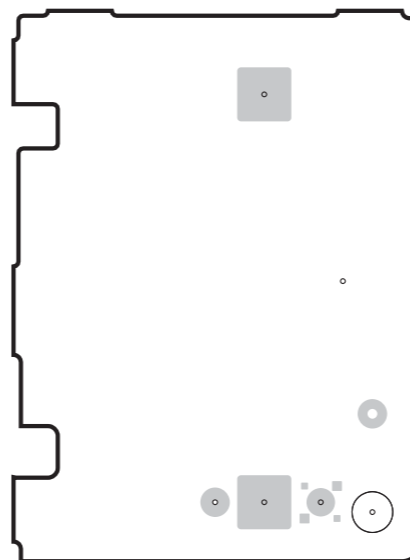
4

MAIN (5) P.C.B. (Side B)

U, R, T, K, A, B, G, F, L models



MAIN (6) P.C.B. (Side B)

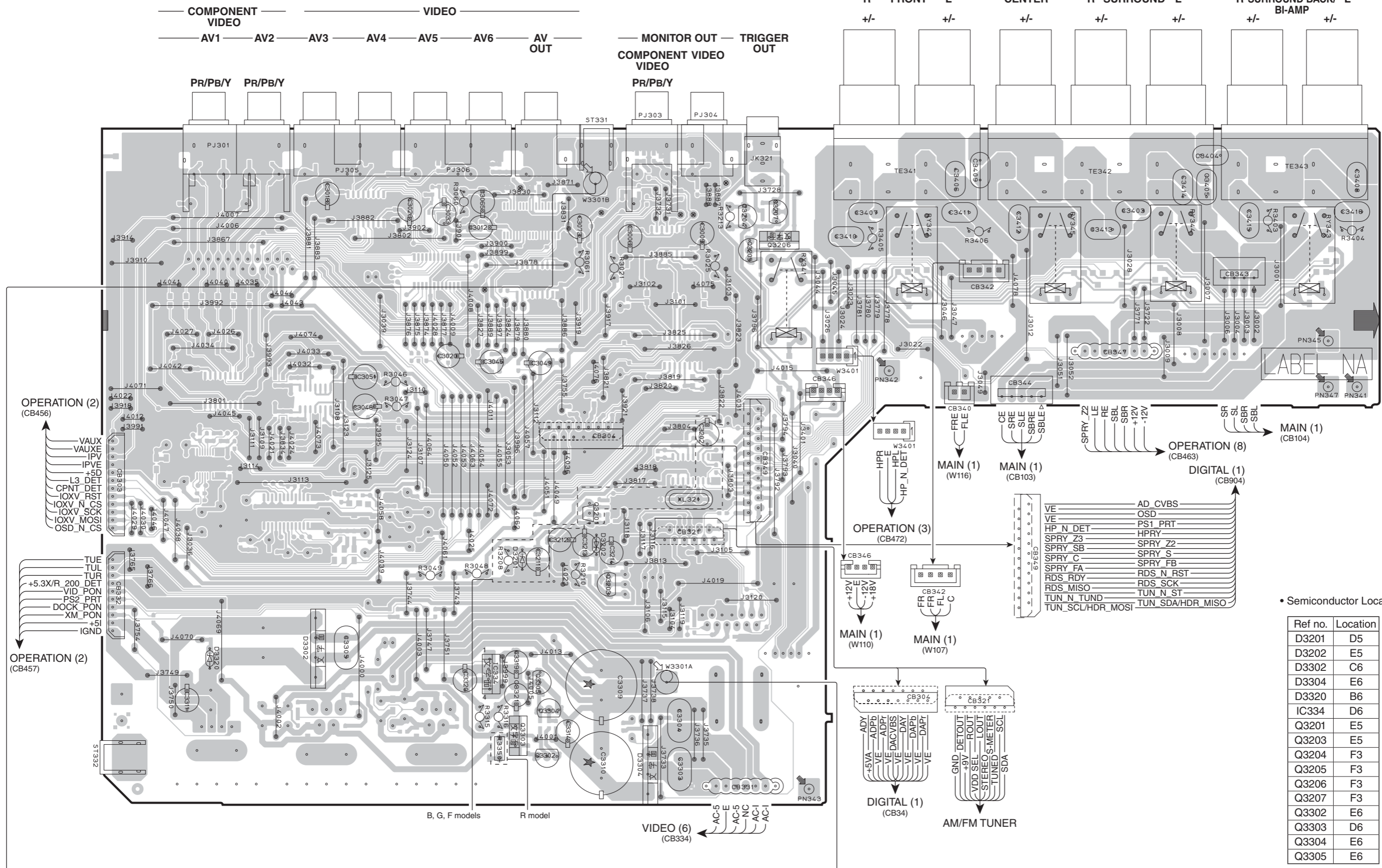


5

6

7

VIDEO (1) P.C.B. (Side A)



- OPERATION (2) (CB456)
- VAUX
 - VAUX
 - IPV
 - IPVE
 - +5D
 - L3_DET
 - CPNT_DET
 - IOXV_RST
 - IOXV_SCK
 - IOXV_MOSI
 - OSD_N_CS

- OPERATION (2) (CB457)
- TUE
 - TUL
 - TUR
 - +5.3X/R_200_DET
 - VID_PON
 - PS2_PRT
 - DOCK_PON
 - XM_PON
 - +5I
 - IGND

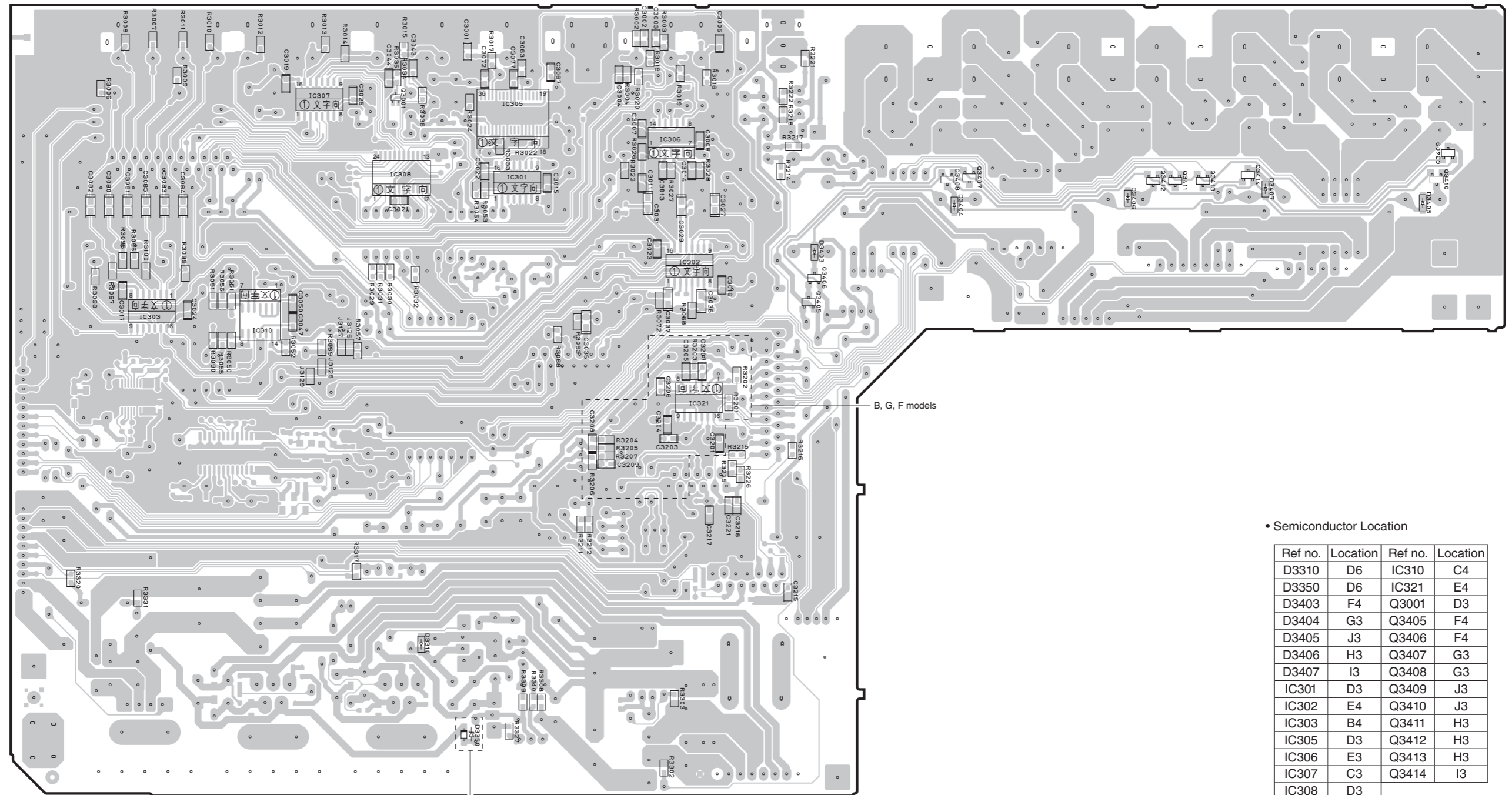
- OPERATION (3) (CB472)
- VE
 - VF
 - HP_N_DET
 - SPRY_Z3
 - SPRY_SB
 - SPRY_C
 - SPRY_FA
 - RDS_RDY
 - RDS_MISO
 - TUN_N_TUND
 - TUN_SCL/HDR_MOSI

- OPERATION (8) (CB463)
- AD_CVBS
 - OSD
 - PS1_PRT
 - HPRY
 - SPRY_Z2
 - SPRY_S
 - SPRY_FB
 - RDS_N_RST
 - RDS_SCK
 - TUN_N_ST
 - TUN_SDA/HDR_MISO

• Semiconductor Location

Ref no.	Location
D3201	D5
D3202	E5
D3302	C6
D3304	E6
D3320	B6
IC334	D6
Q3201	E5
Q3203	E5
Q3204	F3
Q3205	F3
Q3206	F3
Q3207	F3
Q3302	E6
Q3303	D6
Q3304	E6
Q3305	E6

VIDEO (1) P.C.B. (Side B)



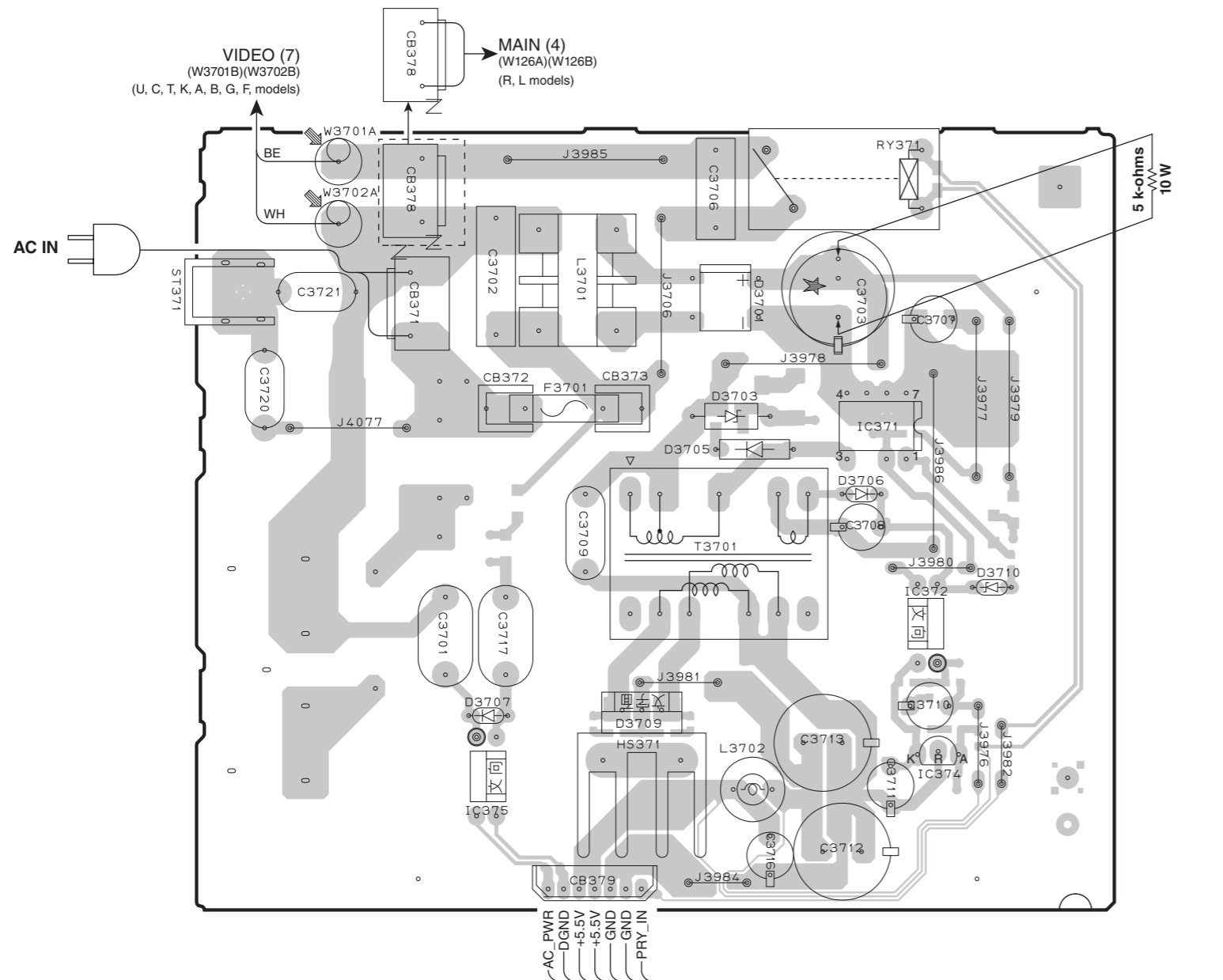
• Semiconductor Location

Ref no.	Location	Ref no.	Location
D3310	D6	IC310	C4
D3350	D6	IC321	E4
D3403	F4	Q3001	D3
D3404	G3	Q3405	F4
D3405	J3	Q3406	F4
D3406	H3	Q3407	G3
D3407	I3	Q3408	G3
IC301	D3	Q3409	J3
IC302	E4	Q3410	J3
IC303	B4	Q3411	H3
IC305	D3	Q3412	H3
IC306	E3	Q3413	H3
IC307	C3	Q3414	I3
IC308	D3		

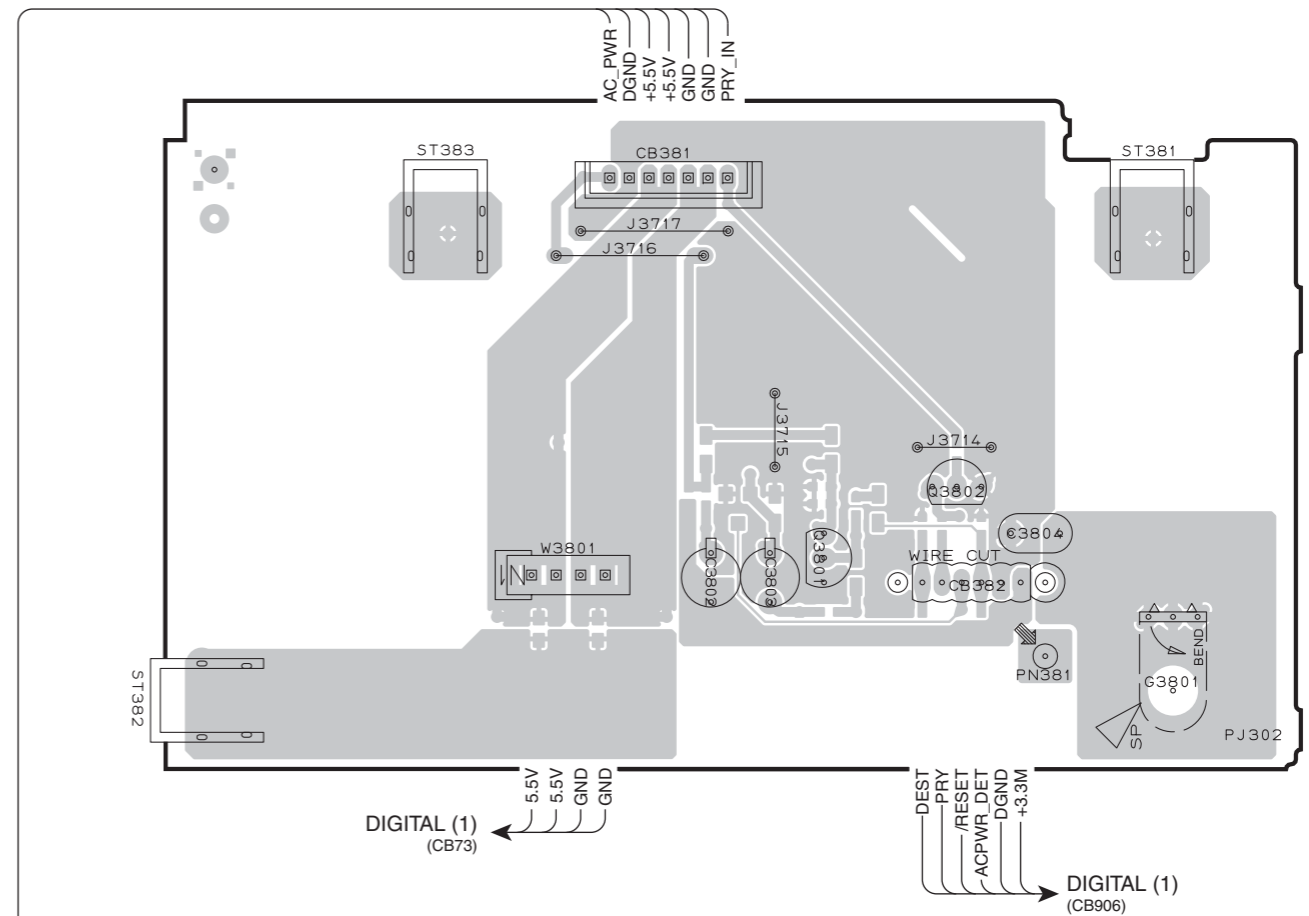
R model

B, G, F models

VIDEO (2) P.C.B. (Side A)



VIDEO (3) P.C.B. (Side A)



Notes)

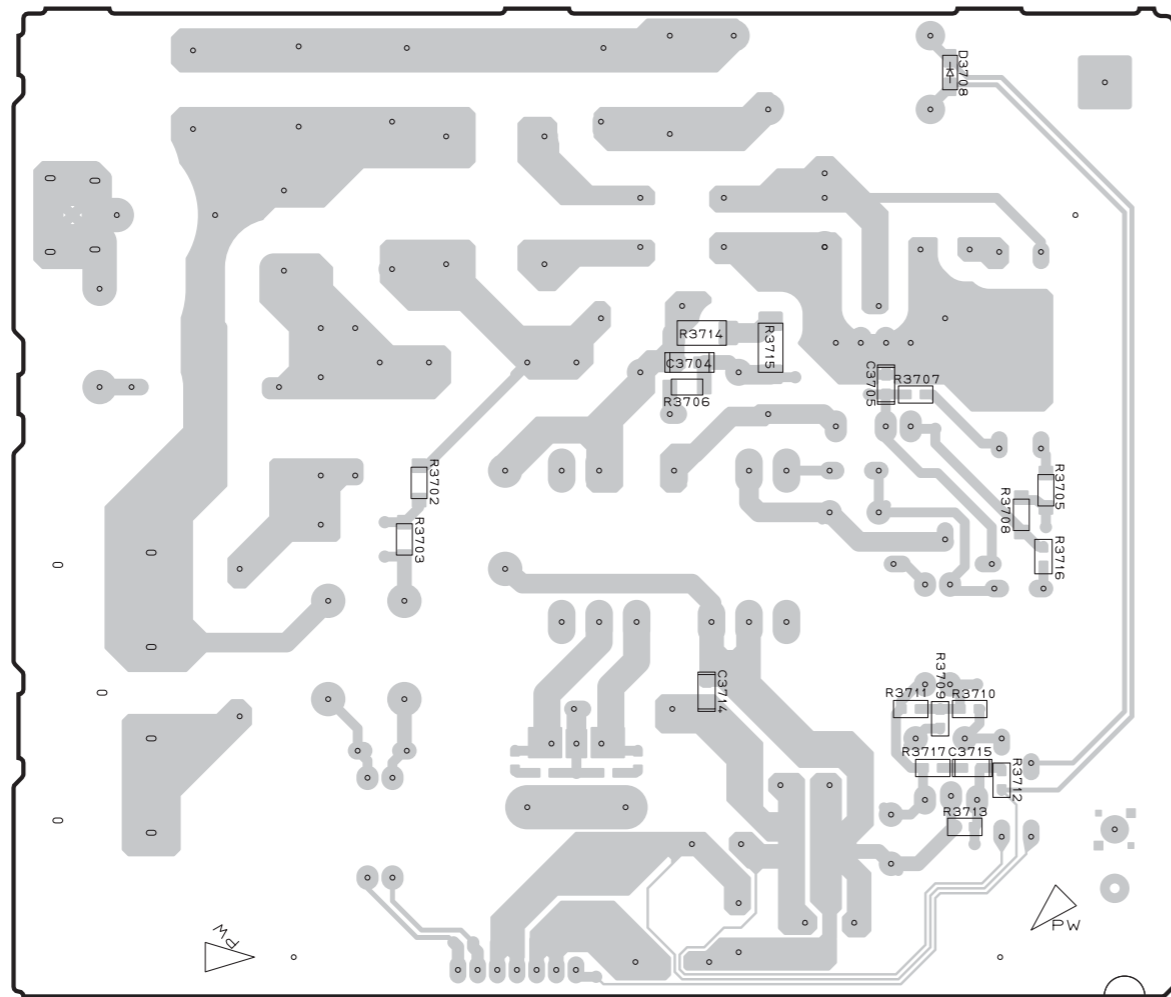
Safety measures

- Some internal parts in this product contain high voltages and are dangerous. Be sure to take safety measures during servicing, such as wearing insulating gloves.
- Note that positions indicated below are dangerous even after the power is turned off because an electric charge remains and a high voltage continues to exist there. Before starting any repair work, perform discharge by connecting a discharge resistor (5k-ohms/10W) between terminals at following positions. The time required for discharging is about 30 seconds.
C3703 on VIDEO (2) P.C.B.

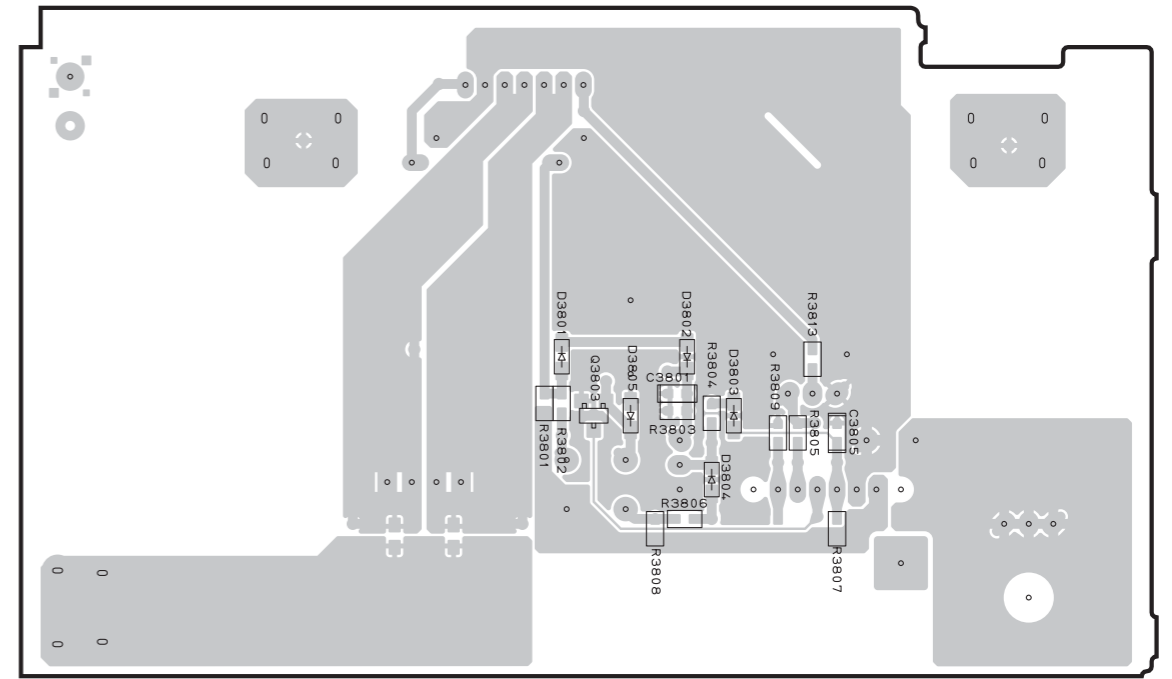
• Semiconductor Location

Ref no.	Location	Ref no.	Location
D3701	D3	IC371	E4
D3703	D4	IC372	E5
D3705	D4	IC374	E5
D3706	D4	IC375	C5
D3707	C5	Q3801	I5
D3709	D5	Q3802	I4
D3710	E4		

VIDEO (2) P.C.B. (Side B)



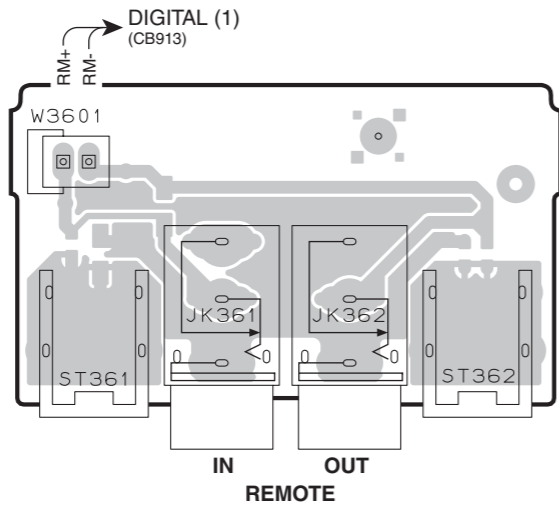
VIDEO (3) P.C.B. (Side B)



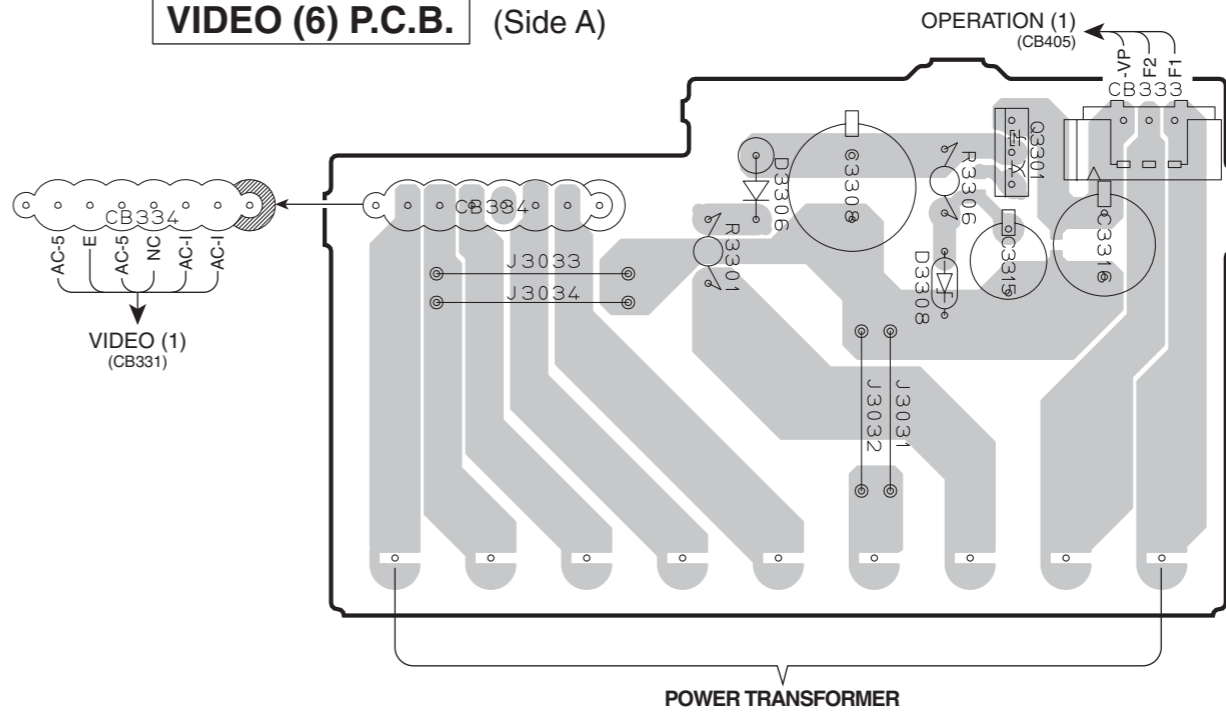
• Semiconductor Location

Ref no.	Location
D3708	E3
D3801	H4
D3802	I4
D3803	I4
D3804	I5
D3805	H4
Q3803	H4

VIDEO (4) P.C.B. (Side A)

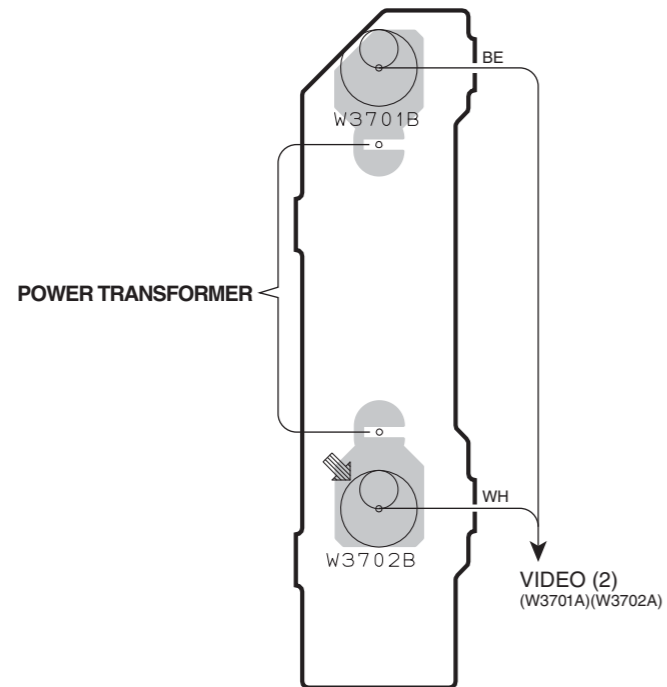


VIDEO (6) P.C.B. (Side A)



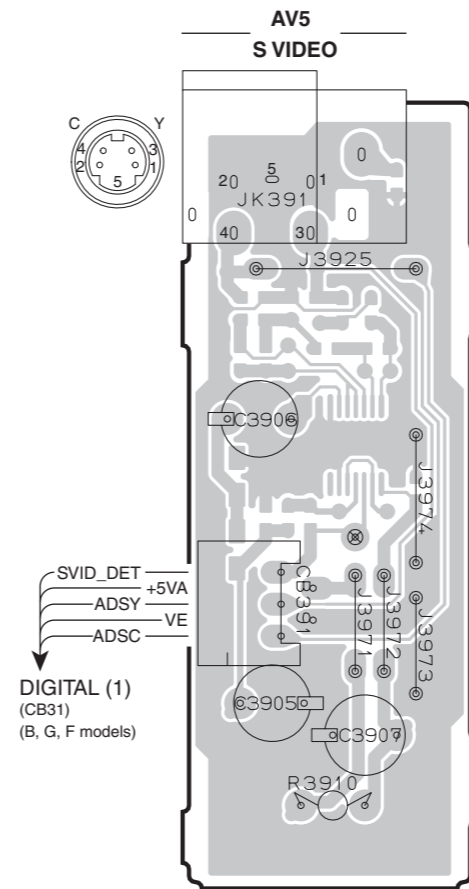
VIDEO (7) P.C.B. (Side A)

U, C, T, K, A, B, G, F models



VIDEO (9) P.C.B. (Side A)

B, G, F models

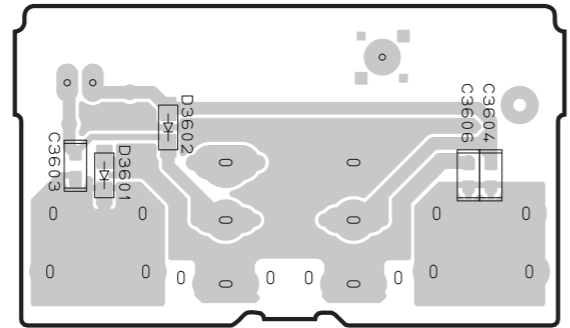


• Semiconductor Location

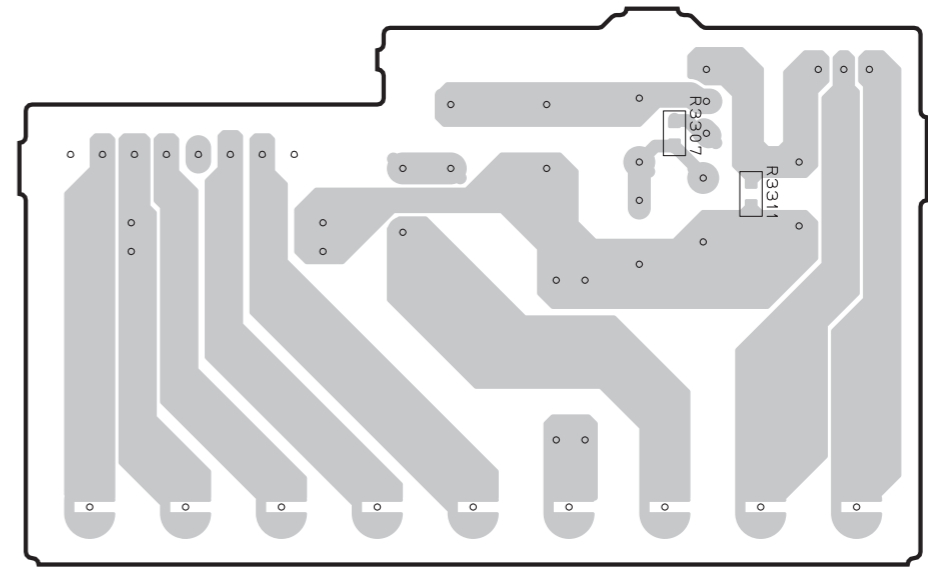
Ref no.	Location
D3306	H2
D3308	I2
Q3301	I2

1
2
3
4
5
6
7

VIDEO (4) P.C.B. (Side B)

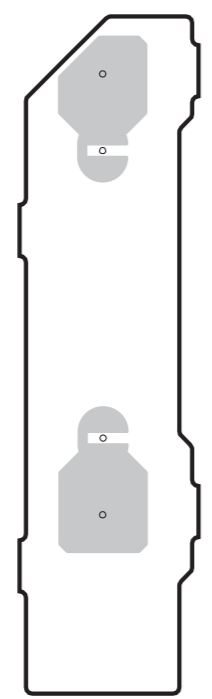


VIDEO (6) P.C.B. (Side B)



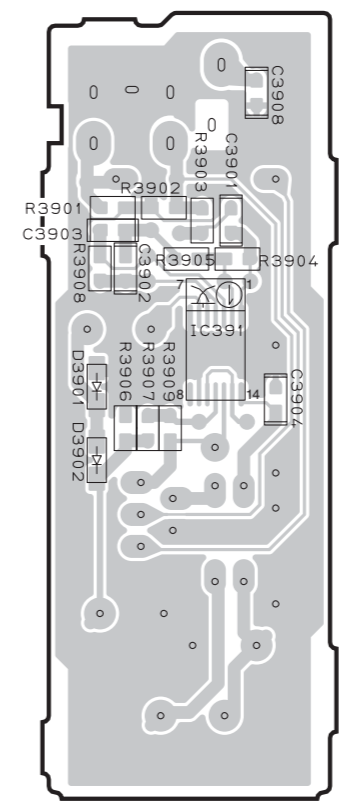
VIDEO (7) P.C.B. (Side B)

U, C, T, K, A, B, G, F models



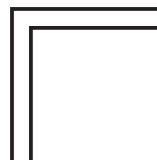
VIDEO (9) P.C.B. (Side B)

B, G, F models

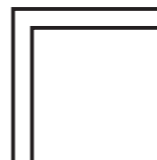
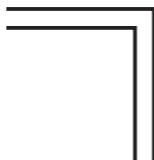


• Semiconductor Location

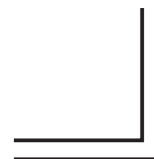
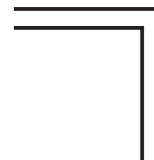
Ref no.	Location
D3601	C2
D3602	C2
D3901	G6
D3902	G6
IC391	G6



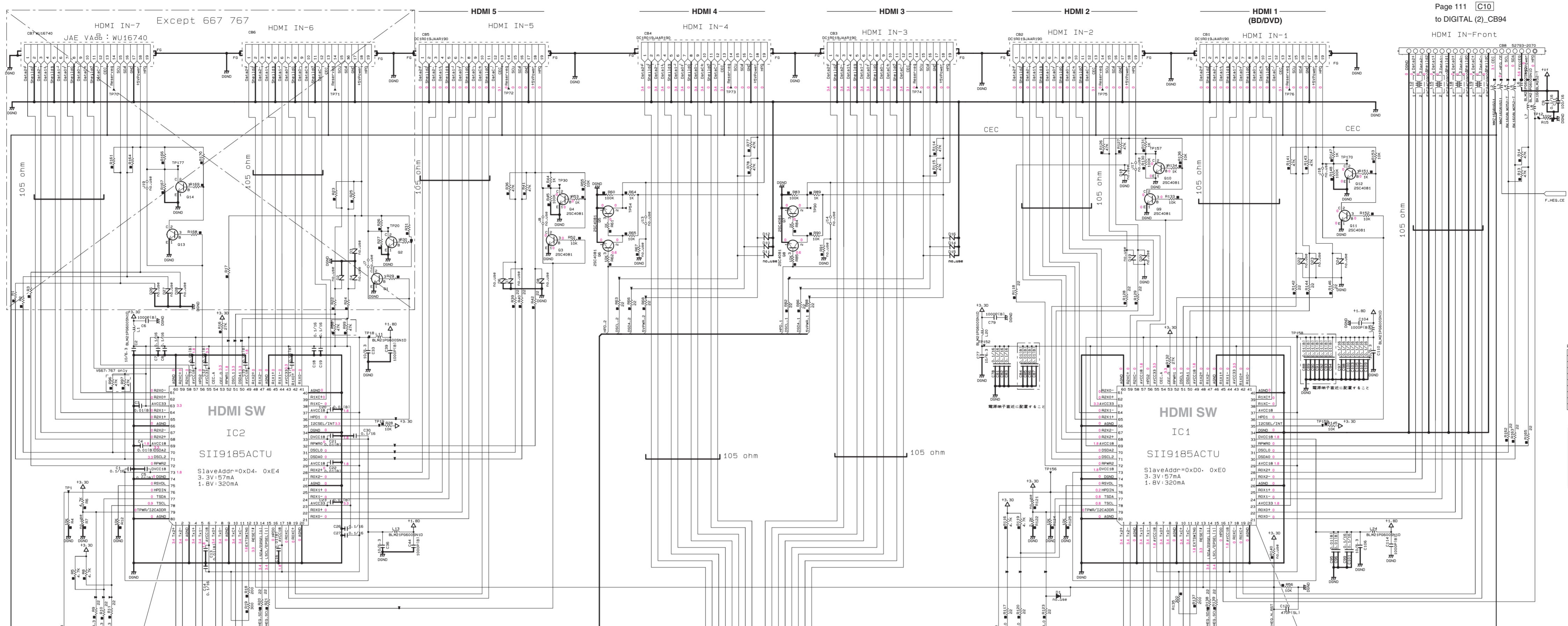
MEMO



MEMO



SCHEMATIC DIAGRAMS
DIGITAL 1/7



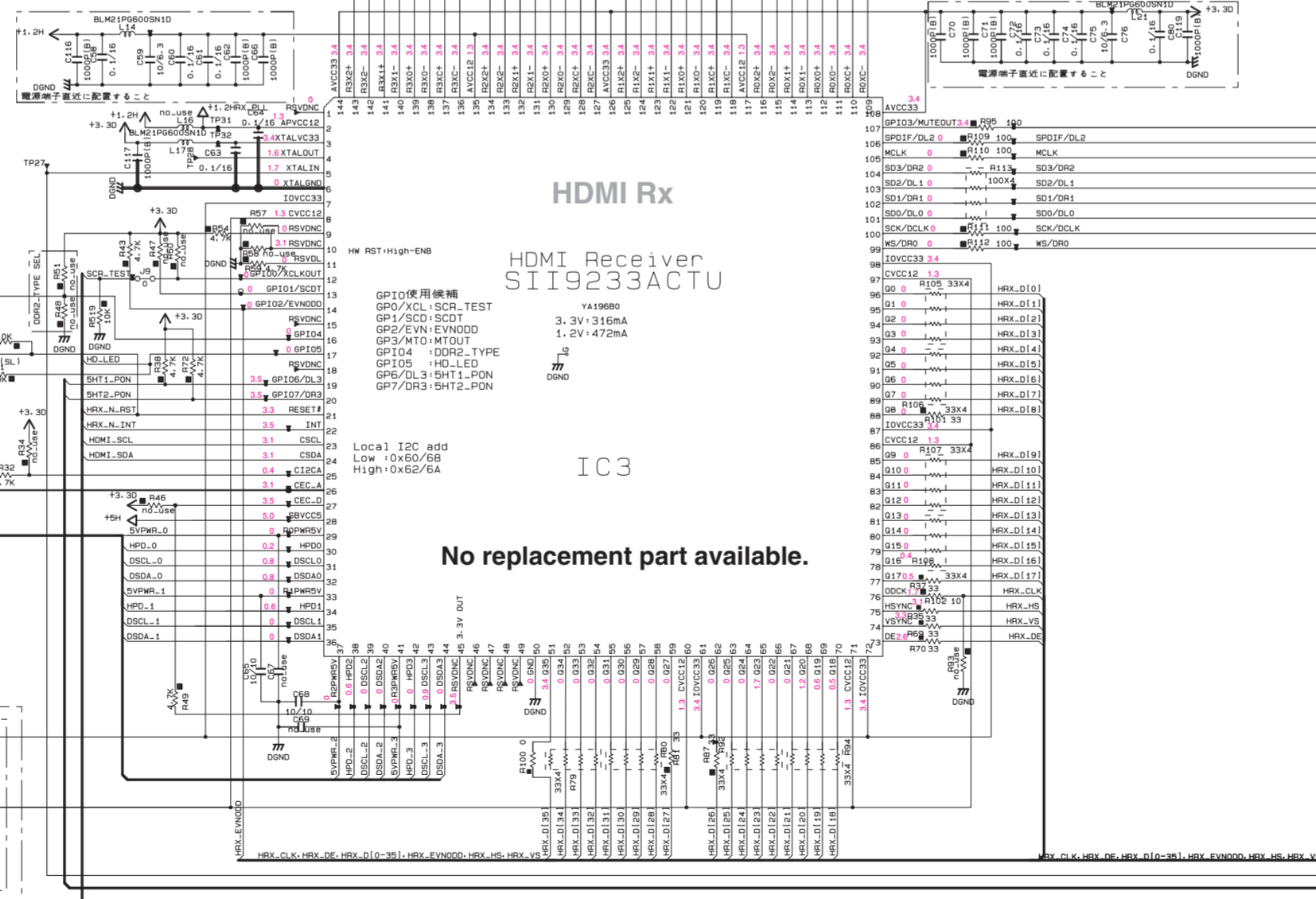
RESISTOR	REMARKS	PARTS NAME
□	NO MARK	CARBON FILM RESISTOR (P&G)
□	NO MARK	CARBON FILM RESISTOR (P&H)
△	NO MARK	METAL OXIDE FILM RESISTOR
□	NO MARK	METAL FILM RESISTOR
□	NO MARK	METAL PLATE RESISTOR
□	NO MARK	FINE PRINT CARBON FILM RESISTOR
□	NO MARK	CEMENT HOLED RESISTOR
□	NO MARK	SEMI VARIABLE RESISTOR
□	NO MARK	CHIP RESISTOR

CAPACITOR	REMARKS	PARTS NAME
□	NO MARK	ELECTROLYTIC CAPACITOR
□	NO MARK	TANTALUM CAPACITOR
□	NO MARK	CERAMIC CAPACITOR
□	NO MARK	CERAMIC TUBULAR CAPACITOR
□	NO MARK	POLYESTER FILM CAPACITOR
□	NO MARK	POLYETHYLENE FILM CAPACITOR
□	NO MARK	MICA CAPACITOR
□	NO MARK	POLYPROPYLENE FILM CAPACITOR
□	NO MARK	SEMICONDUCTIVE CERAMIC CAPACITOR

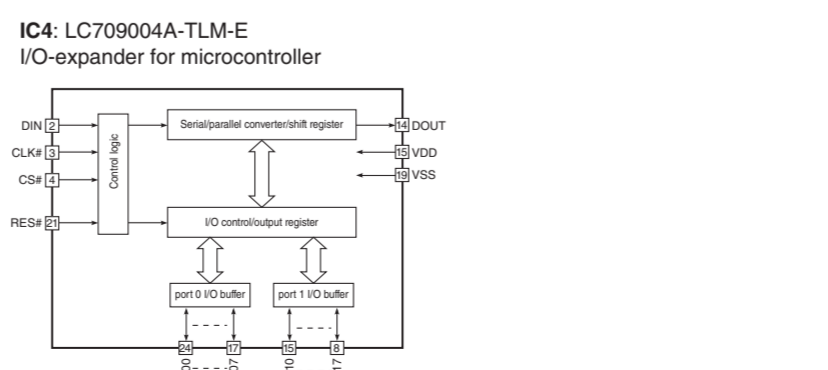
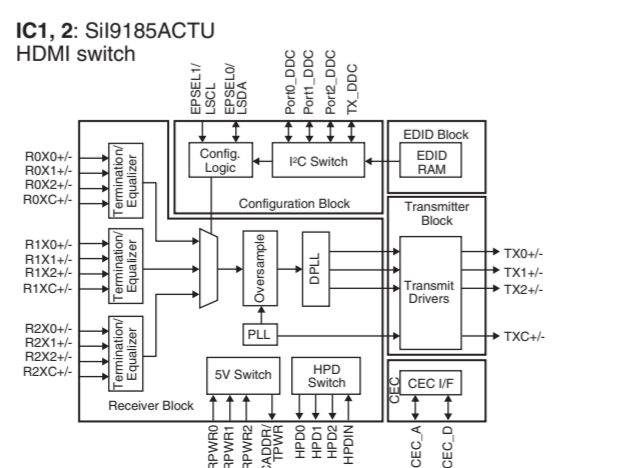
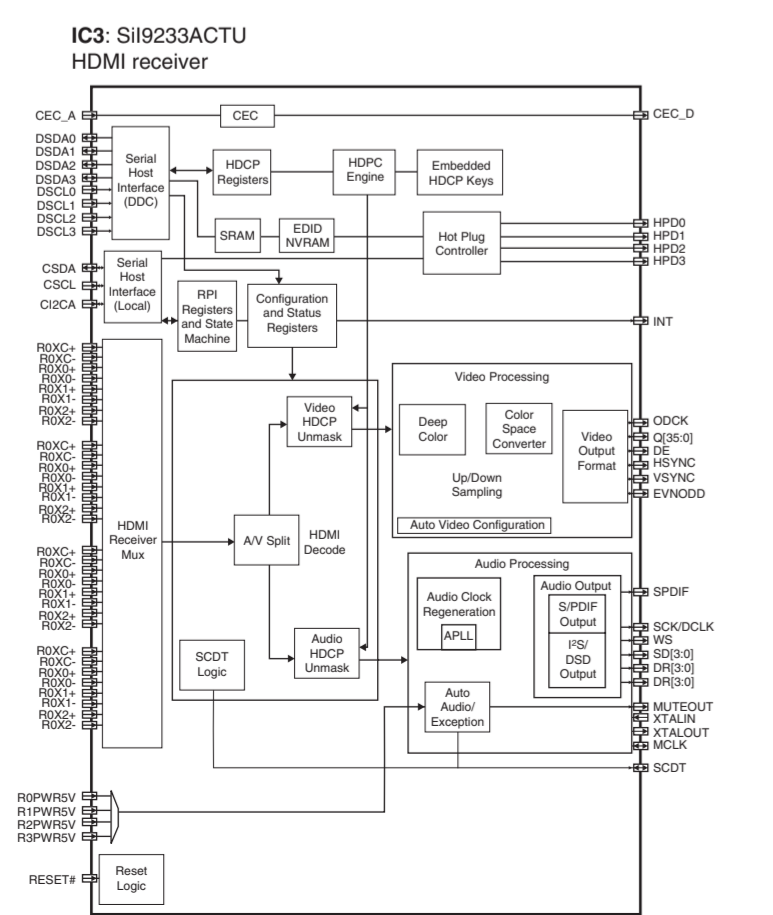
NOTICE	REMARKS
J	JAPAN
U	U.S.A
C	CANADA
IN	GENERAL
T	CHINA
K	KOREA
A	AUSTRALIA
B	BRITISH
GP	EUROPE
L	SINGAPORE
IE	SOUTH EUROPE
V	TAIWAN
F	RUSSIAN
IP	LATIN AMERICA

No replacement part available.

No replacement part available.

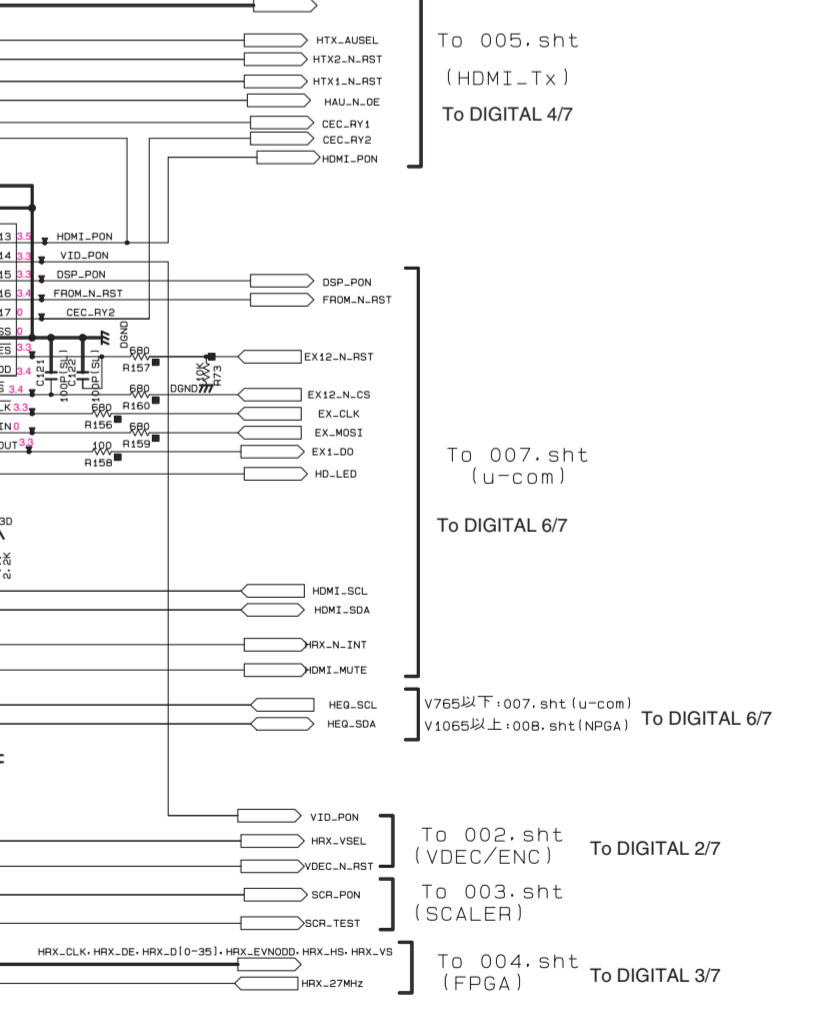


No replacement part available.



DIGITAL 1: HDMI Rx
IC/CB/XL: 1-300
OHMER: 1-300

DIGITAL (1)

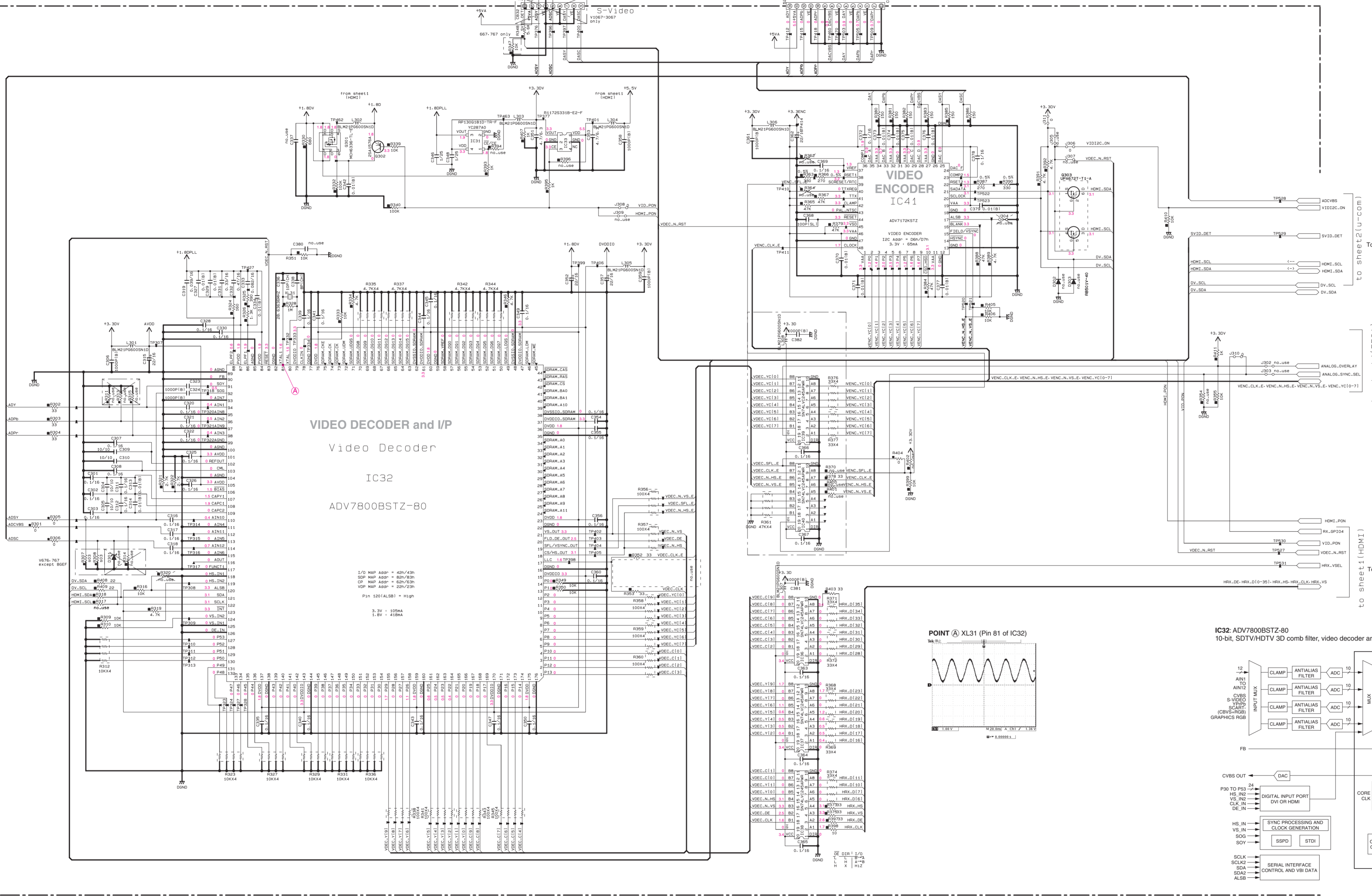


* All voltages are measured with a 10MΩ/V DC electronic voltmeter.
* Components having special characteristics are marked Δ and must be replaced with parts having specifications equal to those originally installed.
* Schematic diagram is subject to change without notice.

DIGITAL 2/7

Page 120 [C3] to VIDEO (9)_CB391 (B, G, F models)

Page 118 [K9] to VIDEO (1)_CB304



IC31: RP130Q181D-TR-F Voltage regulator

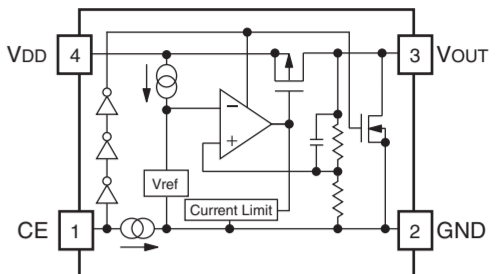


Table with 4 columns: Pin No., Symbol, Chip Enable, Description. Rows describe pins 1, 2, 3, and 4.

IC33: R1172S331B-E2-F CMOS-based positive-voltage regulator IC

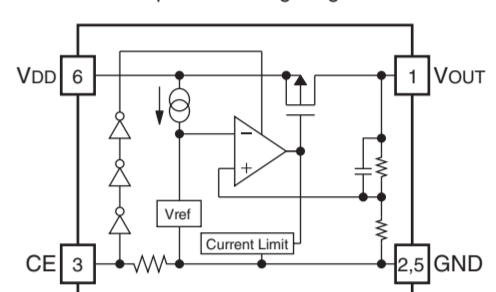
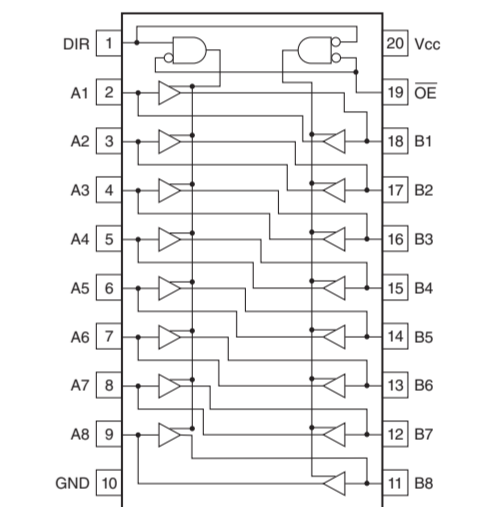
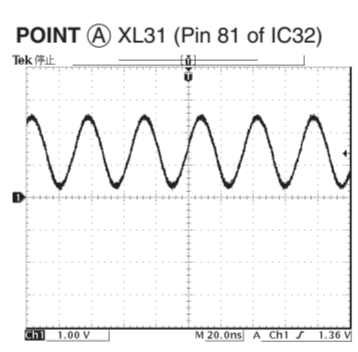
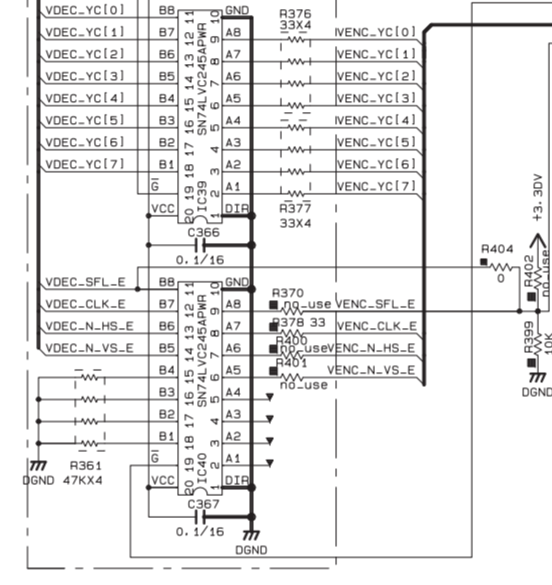


Table with 4 columns: Pin No., Symbol, Description. Rows describe pins 1, 2.5, 3, 4, and 6.

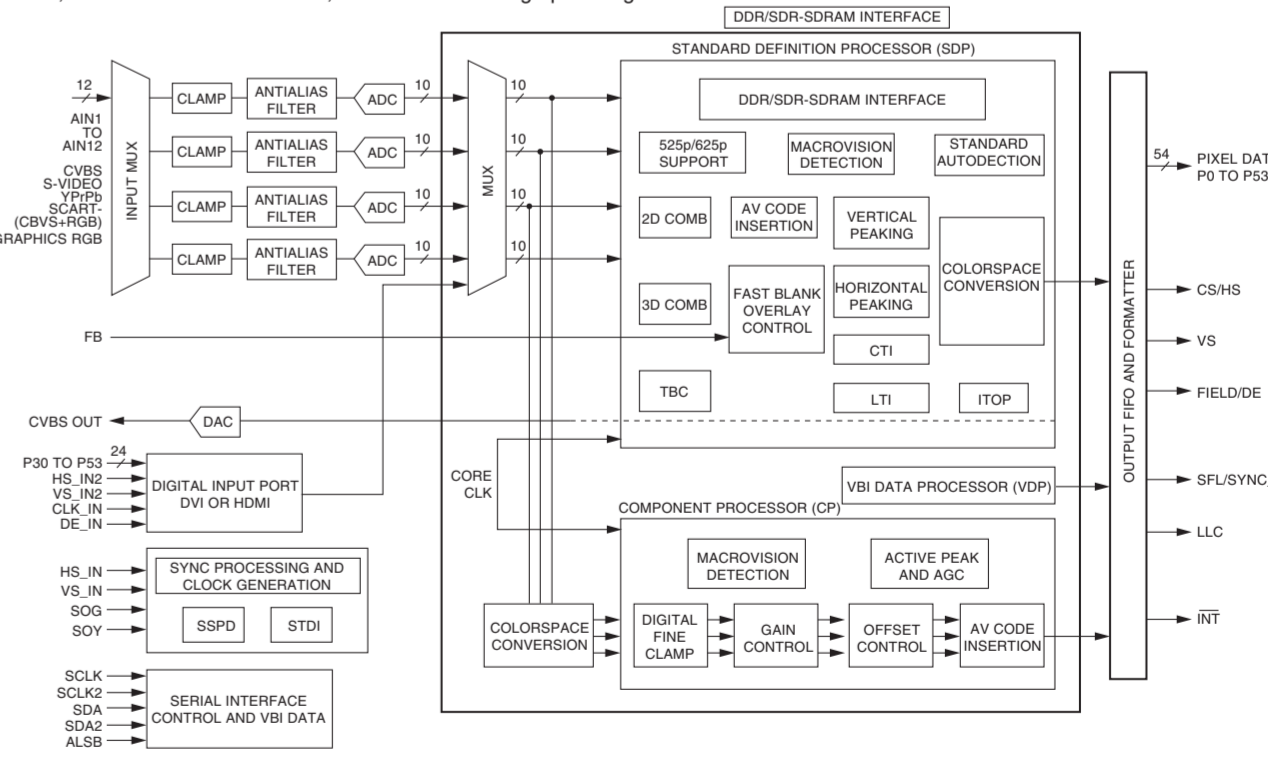
IC36-40: SN74VLC245APWR Octal bus transceivers with 3-state outputs



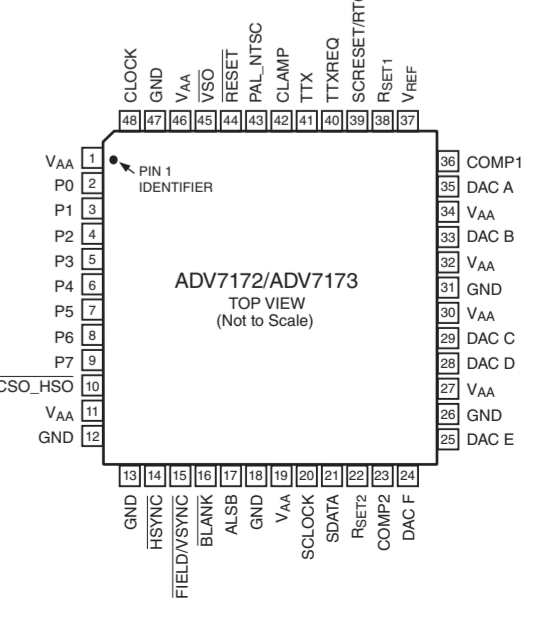
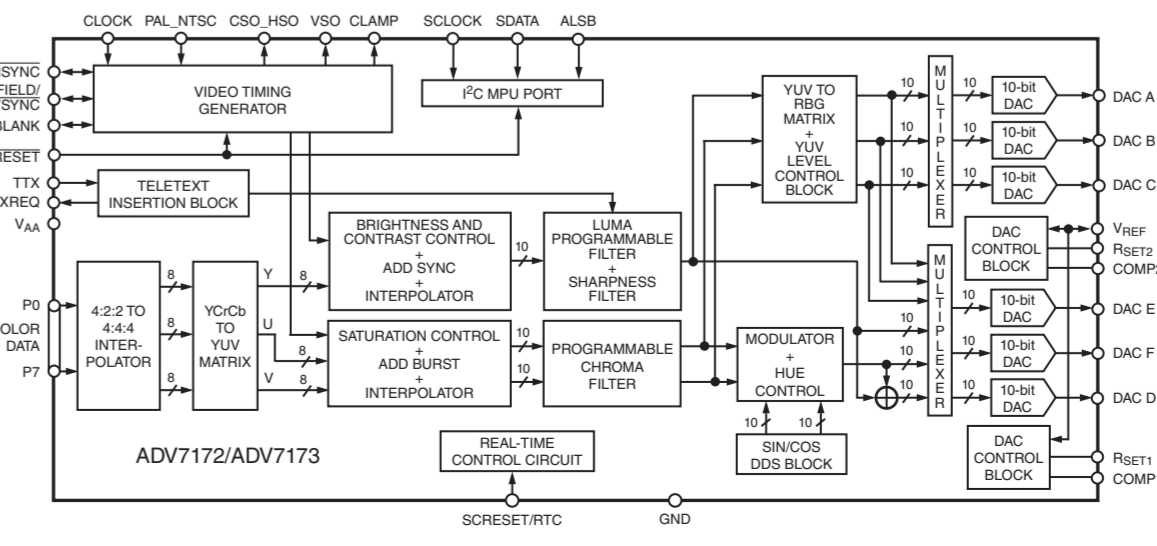
VIDEO DECODER and I/P Video Decoder IC32 ADV7800BSTZ-80



IC32: ADV7800BSTZ-80 10-bit, SDTV/HDTV 3D comb filter, video decoder and graphics digitizer



IC41: ADV7172KSTZ Digital PAL/NTSC video encoder



DIGITAL (1)

DIGITAL2: VDEC/VENC

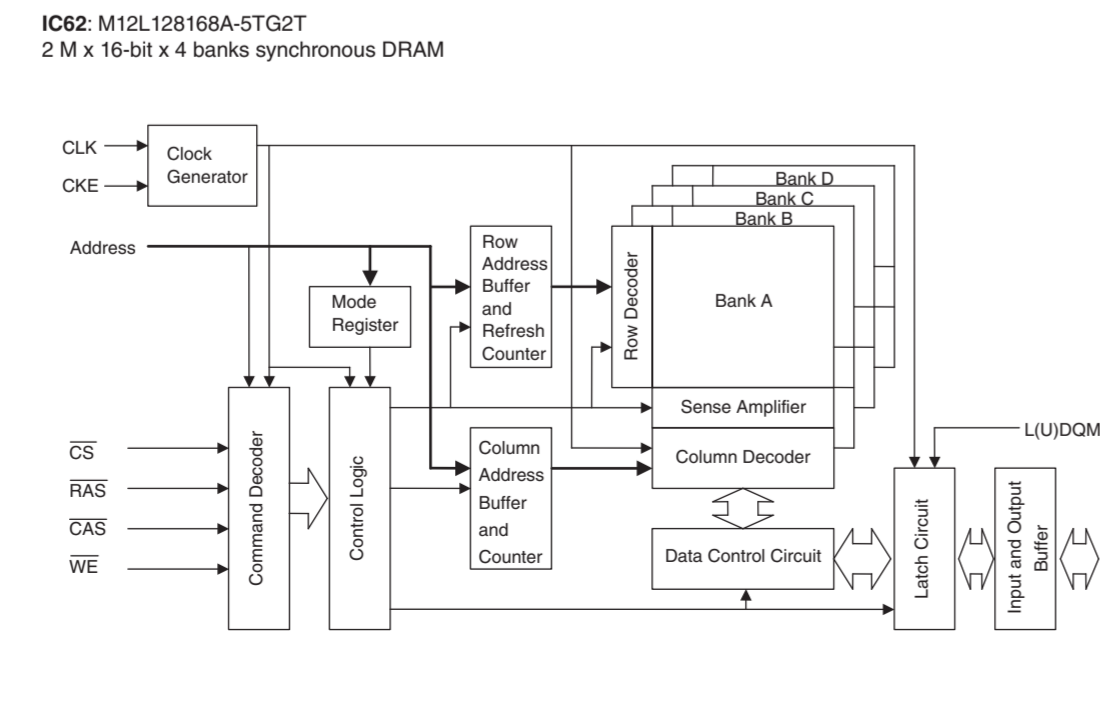
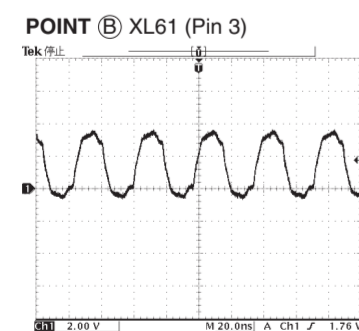
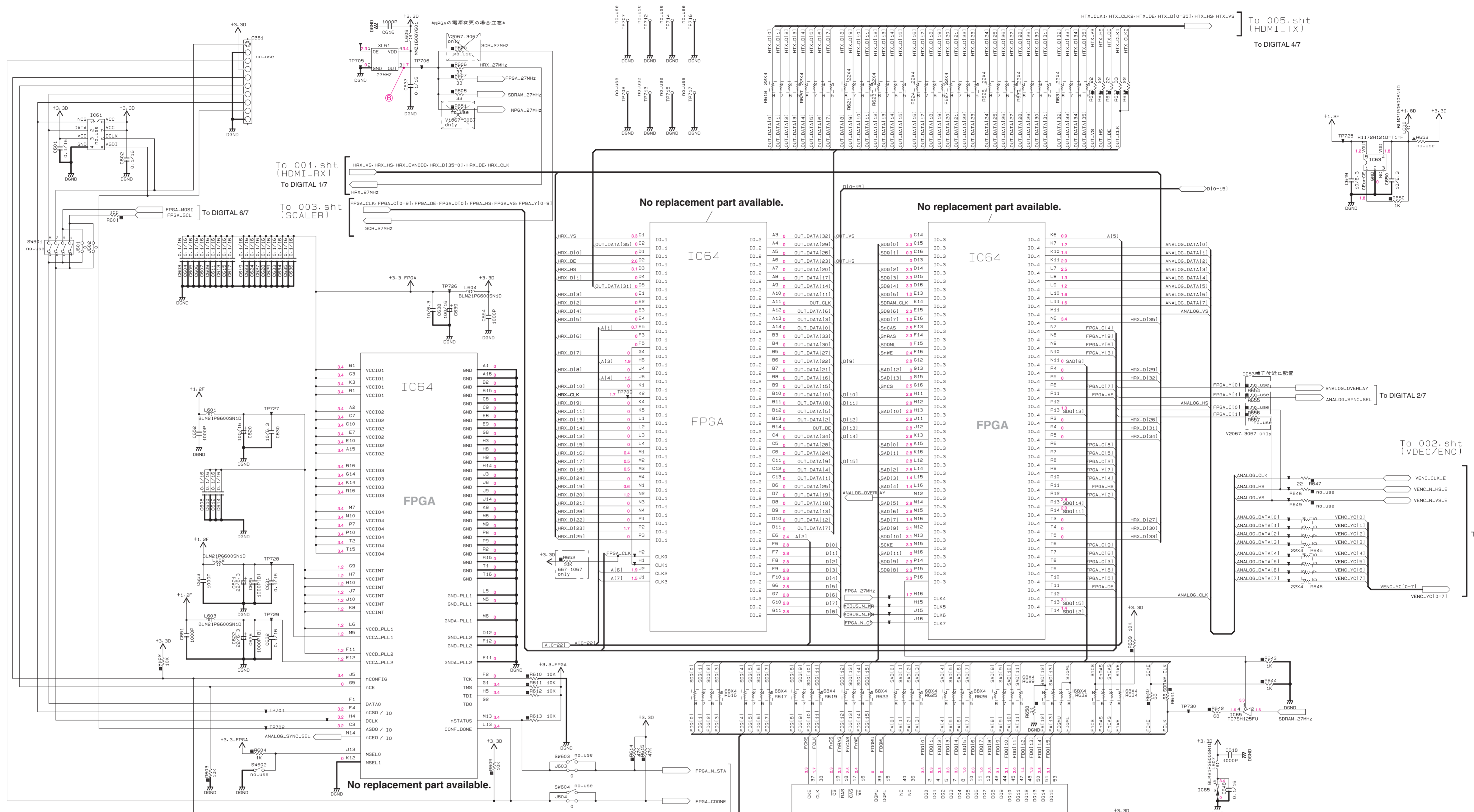
IC/CB/XL: 31-OHTER : 301-

NOTICE (model) (J)..... JAPAN (U)..... U.S.A (C)..... CANADA (R)..... GENERAL (T)..... CHINA (K)..... KOREA (A)..... AUSTRALIA (B)..... BRITISH (E)..... EUROPE (O)..... CHINA (L)..... SINGAPORE (E)..... SOUTH EUROPE (V)..... TAIWAN (P)..... RUSSIAN (P)..... LATIN AMERICA

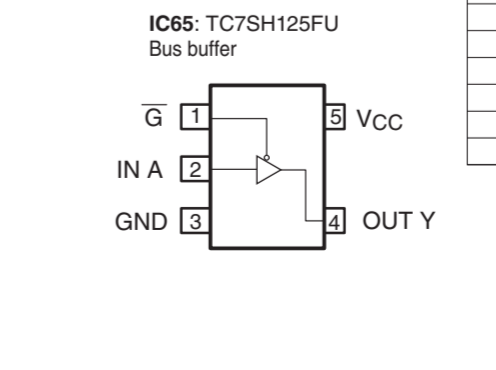
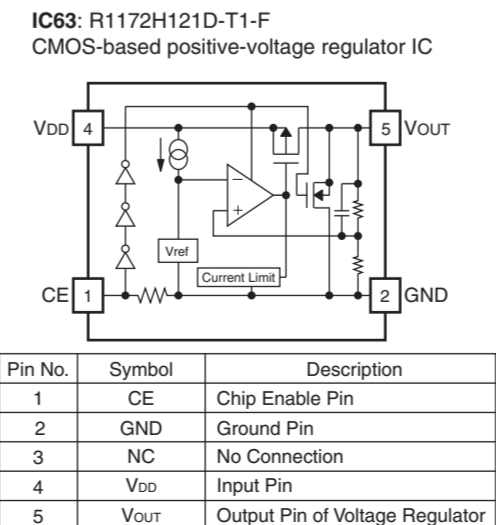
Table with 2 columns: RESISTOR and CAPACITOR. Lists various component types and their part names.

* All voltages are measured with a 10MΩ/V DC electronic voltmeter. * Components having special characteristics are marked Δ and must be replaced with parts having specifications equal to those originally installed. * Schematic diagram is subject to change without notice.

DIGITAL 3/7



VDD	1	54	Vis
D00	2	53	DO15
VDD0	3	52	VSS0
DO1	4	51	DO14
D02	5	50	DO13
VSS0	6	49	VDD0
D03	7	48	DO12
DO4	8	47	DO11
VDD0	9	46	VSS0
D05	10	45	DO10
DO6	11	44	DO9
VSS0	12	43	VDD0
DO7	13	42	DO8
VDD0	14	41	VSS0
LD0M	15	40	NC
WE	16	39	UD0M
CS	17	38	CLK
RAS	18	37	CKE
CS	19	36	NC
BA0	20	35	A11
BA1	21	34	A6
A0	22	33	A4
A1	23	32	A4
A2	24	31	A4
A3	25	30	A4
VDD	26	28	Vis



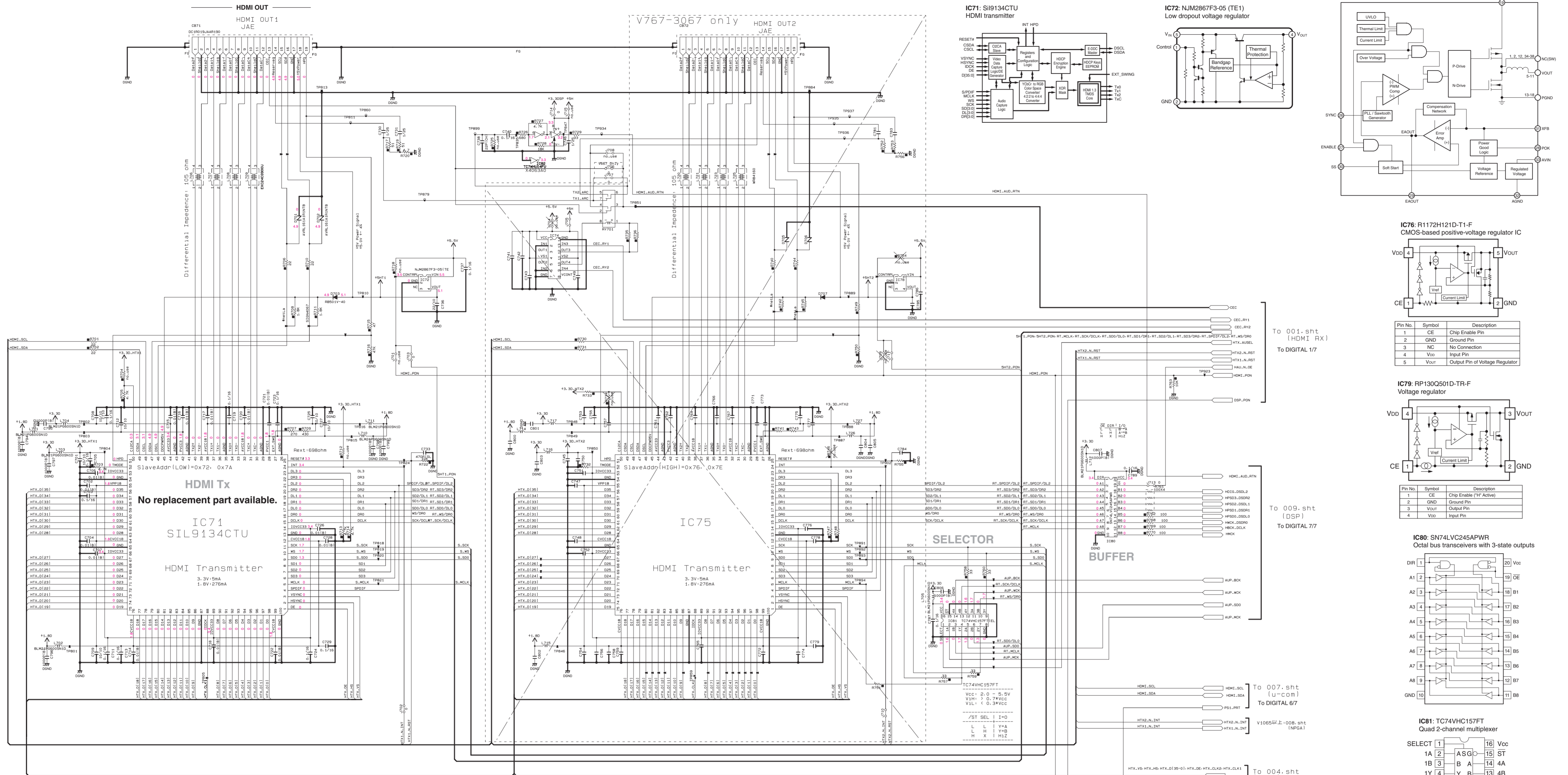
REMARKS	PARTS NAME
NO MARK	CARBON FILM RESISTOR (P=5)
NO MARK	CARBON FILM RESISTOR (P=10)
NO MARK	METAL OXIDE FILM RESISTOR
NO MARK	METAL FILM RESISTOR
NO MARK	FIRE PROOF CARBON FILM RESISTOR
NO MARK	CEMENT MOLDED RESISTOR
NO MARK	SEMI VARIABLE RESISTOR
NO MARK	CHIP RESISTOR

CAPACITOR	PARTS NAME
NO MARK	ELECTROLYTIC CAPACITOR
NO MARK	TANTALUM CAPACITOR
NO MARK	CERAMIC CAPACITOR
NO MARK	CERAMIC TUBULAR CAPACITOR
NO MARK	POLYESTER FILM CAPACITOR
NO MARK	POLYSTYRENE FILM CAPACITOR
NO MARK	MICA CAPACITOR
NO MARK	POLYPROPYLENE FILM CAPACITOR
NO MARK	SEMICONDUCTIVE CERAMIC CAPACITOR

★ All voltages are measured with a 10MΩ/V DC electronic voltmeter.
★ Components having special characteristics are marked Δ and must be replaced with parts having specifications equal to those originally installed.
★ Schematic diagram is subject to change without notice.

NOTICE (model)
(J)..... JAPAN
(U)..... U.S.A
(C)..... CANADA
(R)..... GENERAL
(T)..... CHINA
(K)..... KOREA
(A)..... AUSTRALIA
(B)..... BRITISH
(G)..... EUROPE
(V)..... SINGAPORE
(E)..... SOUTH EUROPE
(I)..... TAIWAN
(F)..... RUSSIAN
(P)..... LATIN AMERICA

DIGITAL 4/7



HDMI Tx
No replacement part available.
IC71
SIL9134CTU
HDMI Transmitter

3.3V 5mA
1.8V 276mA

HDMI Tx
No replacement part available.
IC75
SIL9134CTU
HDMI Transmitter

3.3V 5mA
1.8V 276mA

To 001.sht (HDMI RX)
To DIGITAL 1/7

Pin No.	Symbol	Chip Enable Pin	Description
1	CE	Chip Enable Pin	
2	GND	Ground Pin	
3	NC	No Connection	
4	V _{DD}	Input Pin	
5	V _{OUT}	Output Pin of Voltage Regulator	

To 009.sht (DSP)
To DIGITAL 7/7

Pin No.	Symbol	Chip Enable Pin	Description
1	CE	Chip Enable Pin (Hi Active)	
2	GND	Ground Pin	
3	V _{OUT}	Output Pin	
4	V _{DD}	Input Pin	

To 007.sht (u-com)
To DIGITAL 6/7

Pin No.	Symbol	Chip Enable Pin	Description
1	CE	Chip Enable Pin	
2	GND	Ground Pin	
3	V _{OUT}	Output Pin	
4	V _{DD}	Input Pin	

To 004.sht (FPGA)
To DIGITAL 3/7

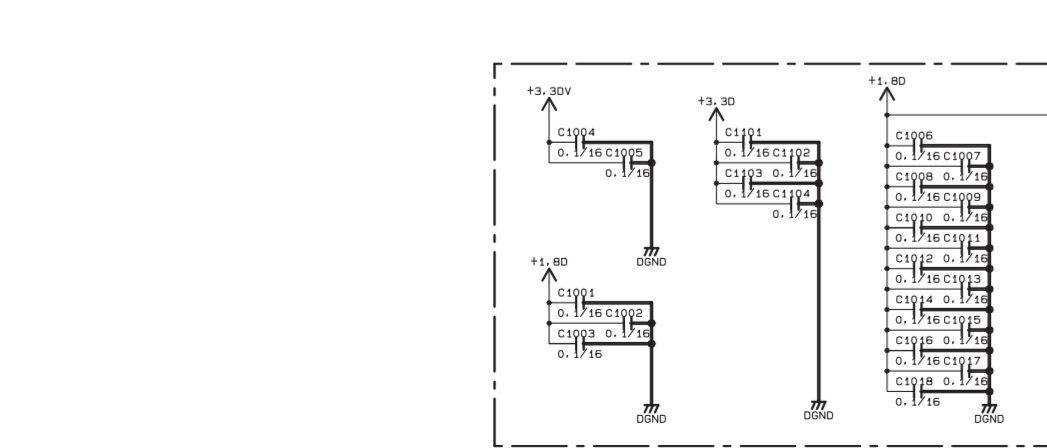
Pin No.	Symbol	Chip Enable Pin	Description
1	CE	Chip Enable Pin	
2	GND	Ground Pin	
3	V _{OUT}	Output Pin	
4	V _{DD}	Input Pin	

To Sub TR
Page 120 to VIDEO (3)_W3801

Pin No.	Symbol	Chip Enable Pin	Description
1	CE	Chip Enable Pin (Hi Active)	
2	GND	Ground Pin	
3	V _{OUT}	Output Pin	
4	V _{DD}	Input Pin	

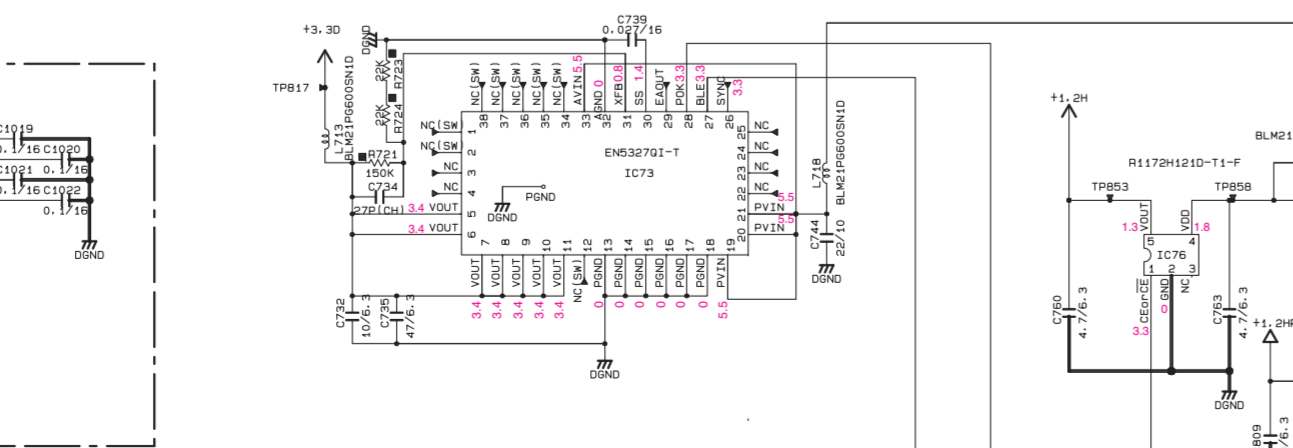
NOTICE (mode1)

REMARKS	PARTS NAME	REMARKS	PARTS NAME
NO MARK	CARBON FILM RESISTOR [P=5]	NO MARK	ELECTROLYTIC CAPACITOR
△	CARBON FILM RESISTOR [P=10]	⊗	TANTALUM CAPACITOR
□	METAL OXIDE FILM RESISTOR	□	CERAMIC CAPACITOR
○	METAL FILM RESISTOR	○	CERAMIC TUBULAR CAPACITOR
◇	METAL PLATE RESISTOR	○	POLYESTER FILM CAPACITOR
■	FIRE PROOF CARBON FILM RESISTOR	○	POLYSTYRENE FILM CAPACITOR
□	CEMENT MOLDED RESISTOR	○	MICA CAPACITOR
□	SEMI VARIABLE RESISTOR	○	POLYPROPYLENE FILM CAPACITOR
■	CHIP RESISTOR	○	SEMICONDUCTIVE CERAMIC CAPACITOR

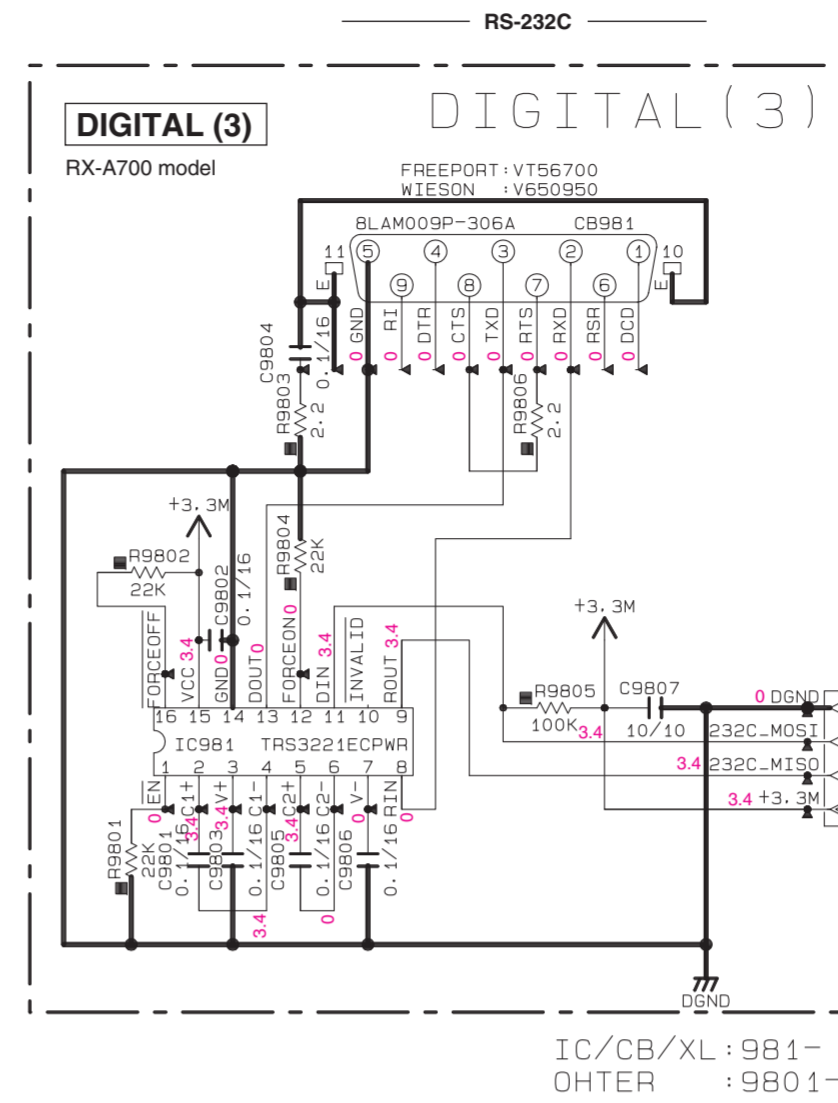
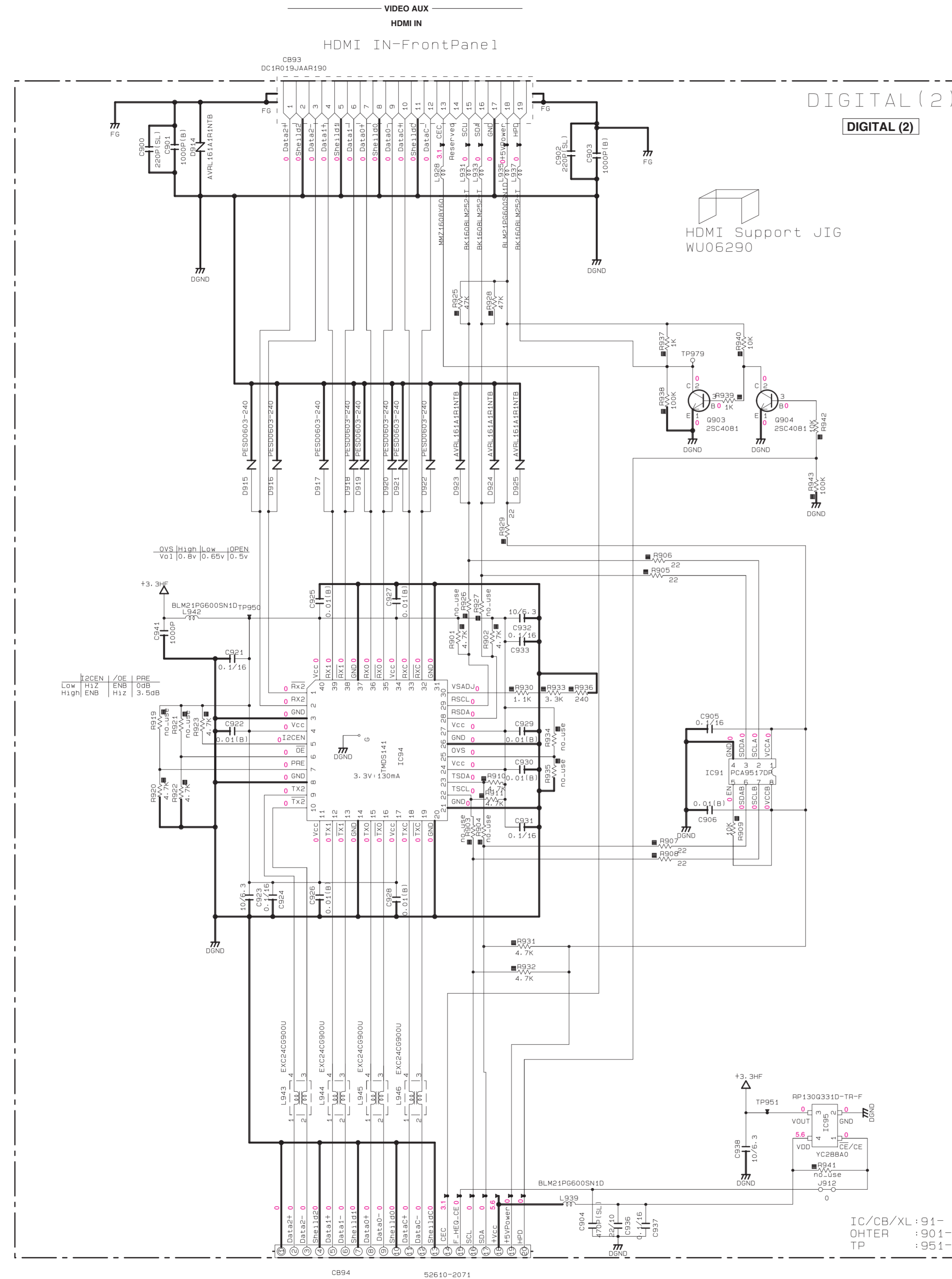


★ All voltages are measured with a 10MΩ/V DC electronic voltmeter.
★ Components having special characteristics are marked △ and must be replaced with parts having specifications equal to those originally installed.
★ Schematic diagram is subject to change without notice.

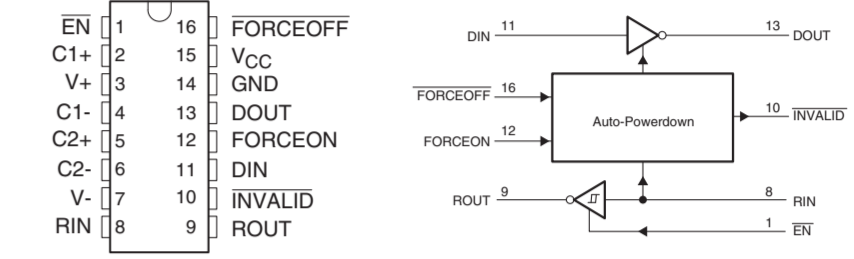
IC73, IC77: EN532701 YC268A0
6E7, 7E7
1067-3067: EN533701 YC234A0



DIGITAL 5/7



IC981: TRS3221ECPWR
3 V to 5.5 V single channel RS-232 line driver/receiver
with ±15 kV IEC ESD protection

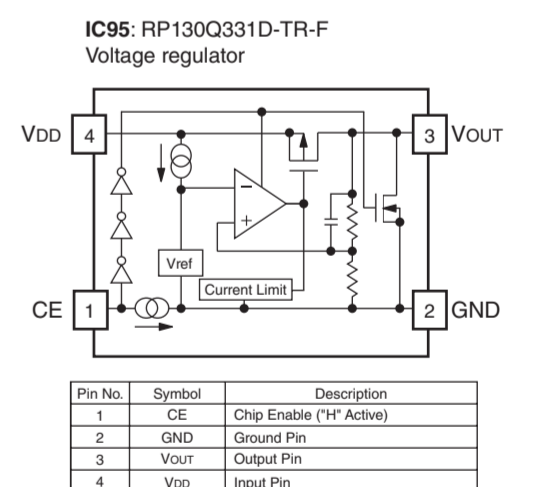
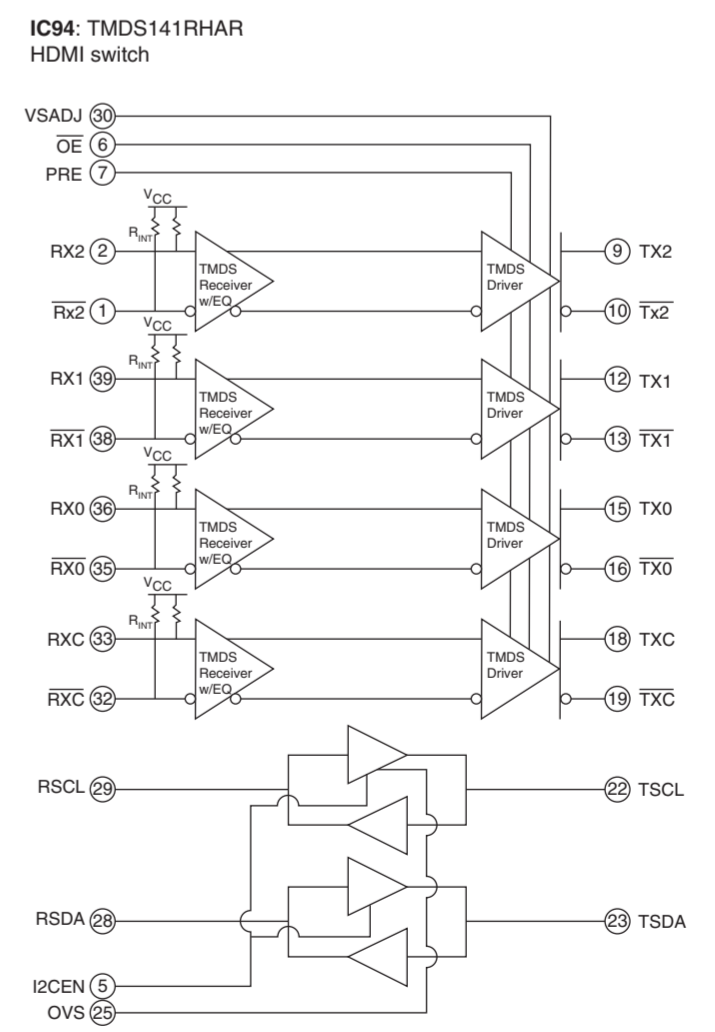
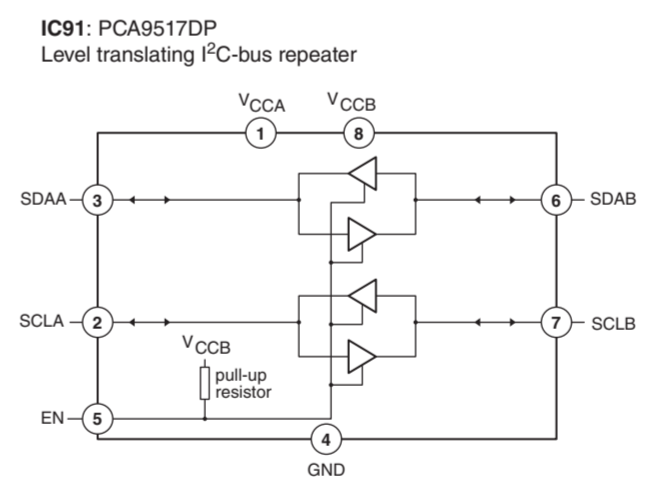


Page 112 A3
to DIGITAL (1)_CB901

sXX	LOC	U	CTKAL	R	BGF
s1	CB31	X	X	X	V004410 52044
s2	J301	X	X	X	RD35000 0
s3	R308 R307	RD35000 0	RD35000 0	RD35000 0	X
s11	Q9001	X	X	V993630 29A1576A	X
s12	Q9020	VV65520 DT1448KA	X	X	X
s13	Q9021	VV65570 DT1448KA	X	X	X
s14	R9037 R9036	RD35510 100	X	X	X
s15	R9039 R9038	X	X	X	RD35510 100
s22	R9088	RD35510 100	X	X	X
s23	R9091 R9089	X	X	X	RD35510 100

REMARKS	PARTS_NAME	CAPACITOR
NO MARK	CARBON FILM RESISTOR (P=5)	NO MARK ELECTROLYTIC CAPACITOR
△	CARBON FILM RESISTOR (P=10)	⊗ TANTALUM CAPACITOR
□	METAL OXIDE FILM RESISTOR	NO MARK CERAMIC CAPACITOR
△	METAL FILM RESISTOR	⊙ CERAMIC TUBULAR CAPACITOR
△	METAL PLATE RESISTOR	⊖ POLYSTYRENE FILM CAPACITOR
△	FIRE PROOF CARBON FILM RESISTOR	○ POLYSTYRENE FILM CAPACITOR
□	CEMENT MOLDED RESISTOR	⊖ MICA CAPACITOR
⊖	SEMI VARIABLE RESISTOR	⊖ POLYPROPYLENE FILM CAPACITOR
■	CHIP RESISTOR	⊖ SEMICONDUCTIVE CERAMIC CAPACITOR

NOTICE (mode1)
(J)..... JAPAN
(U)..... U.S.A
(C)..... CANADA
(R)..... GENERAL
(T)..... CHINA
(K)..... KOREA
(A)..... AUSTRALIA
(B)..... BRITISH
(G)..... EUROPE
(L)..... SINGAPORE
(E)..... SOUTH EUROPE
(V)..... TAIWAN
(F)..... RUSSIAN
(P)..... LATIN AMERICA



DIGITAL6: Front HDMI&232C

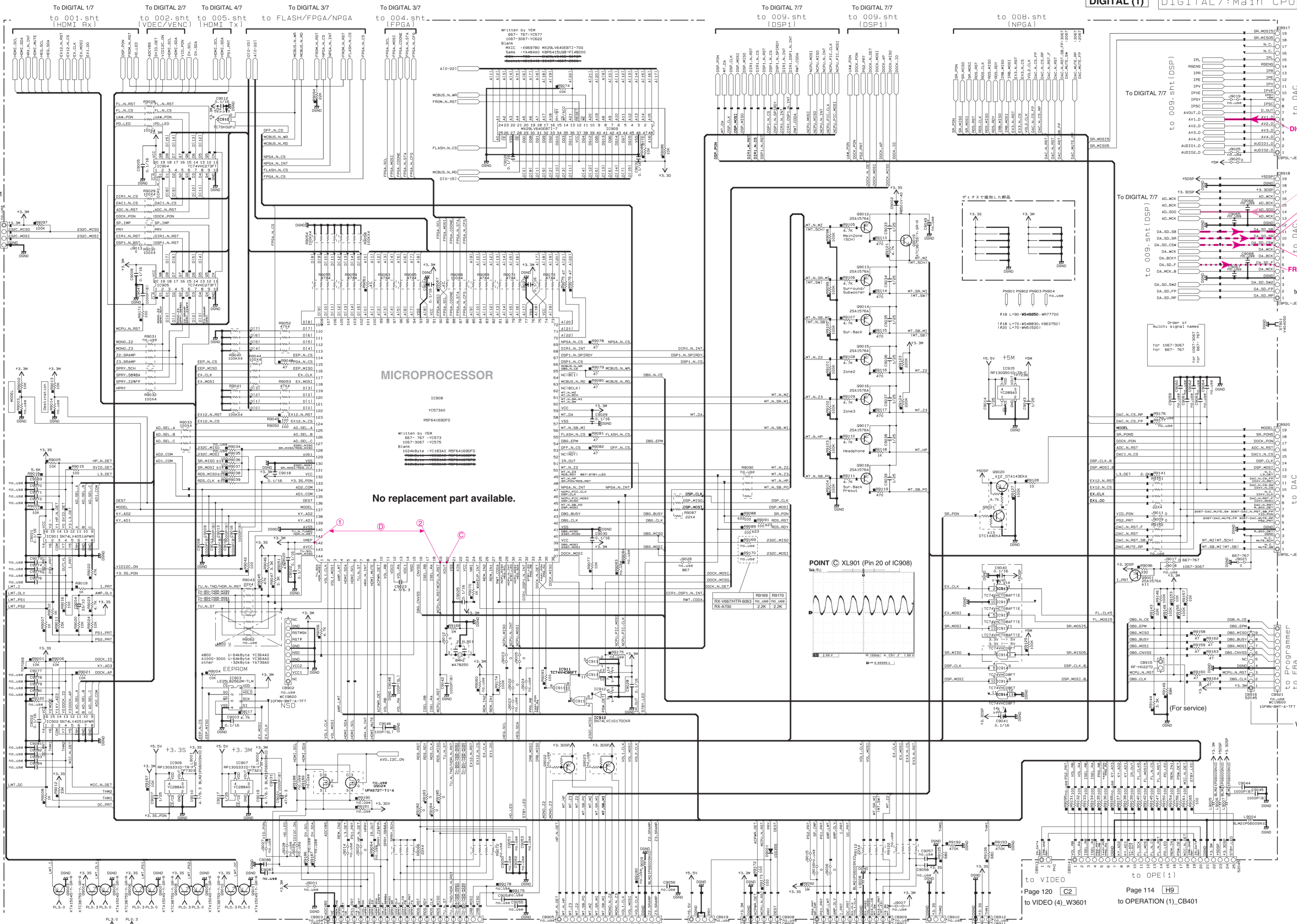
* All voltages are measured with a 10MΩ/V DC electronic voltmeter.
* Components having special characteristics are marked Δ and must be replaced with parts having specifications equal to those originally installed.
* Schematic diagram is subject to change without notice.

DIGITAL 6/7

DIGITAL (1) DIGITAL7: Main CPU

NOTICE (mode)

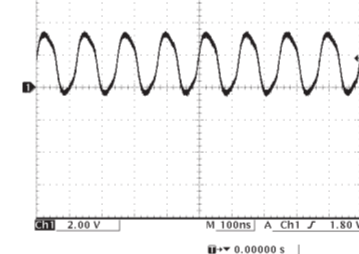
Table with columns: REMARKS, PARTS NAME, and descriptions for various components like resistors, capacitors, and ICs.



MICROPROCESSOR

No replacement part available.

POINT C XL901 (Pin 20 of IC908)



Page 115 [G3] to OPERATION (2)_CB459

Page 115 [E3] to OPERATION (2)_CB460

Page 115 [H3] to OPERATION (2)_CB461

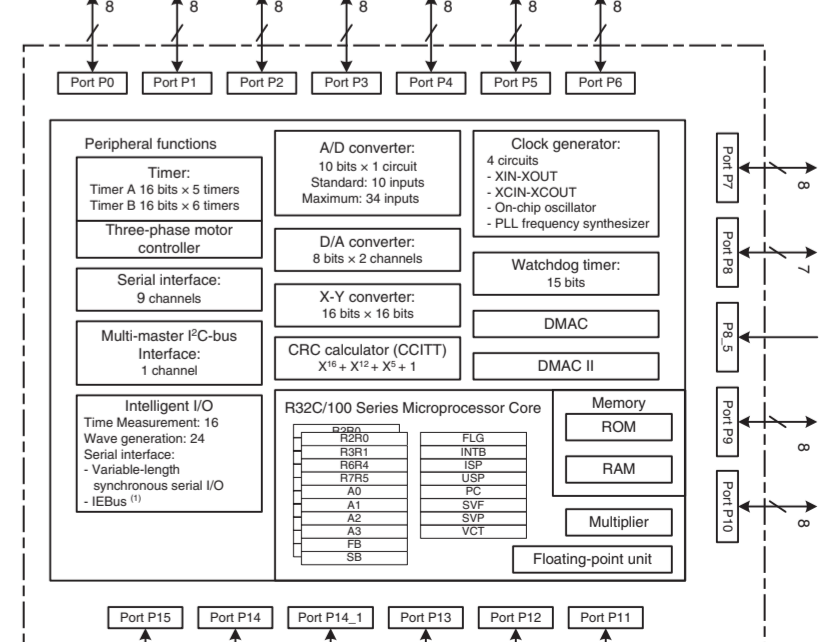
Page 120 [C2] to VIDEO (4)_W3601

Page 114 [H9] to OPERATION (1)_CB401

Page 111 [J3] to DIGITAL (3)_W9801 (RX-A700 model)

* All voltages are measured with a 10MΩ/V DC electronic voltmeter. * Components having special characteristics are marked Δ and must be replaced with parts having specifications equal to those originally installed. * Schematic diagram is subject to change without notice.

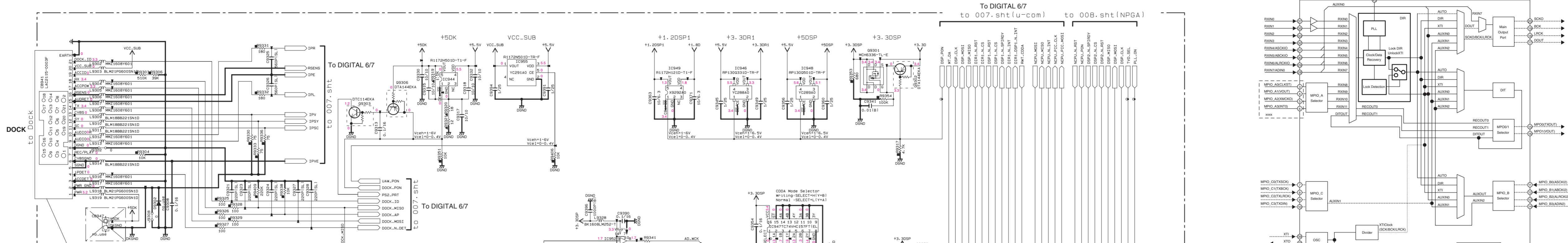
IC908: RSF64169DFD Single chip 32-bit microprocessor



Note: 1. IEBus is a trademark of NEC Electronics Corporation.

DIGITAL 7/7

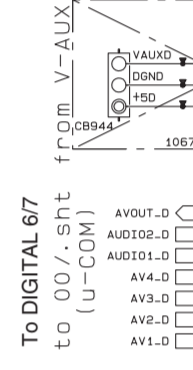
IC942: DIX9210PTR 216-kHz digital audio interface transceiver



No replacement part available.

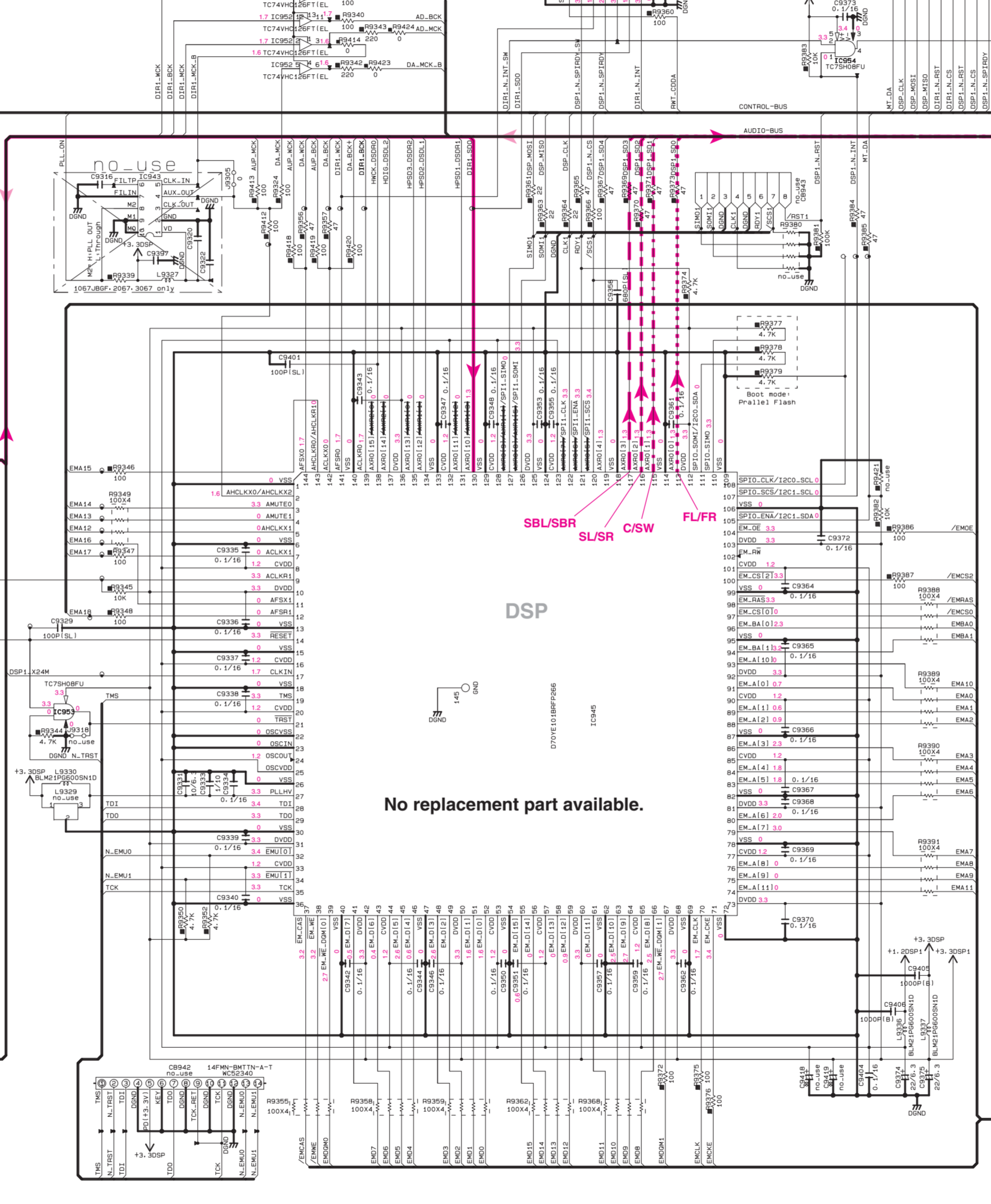
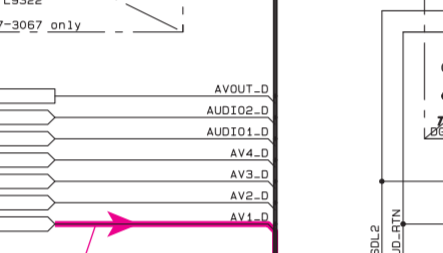
Table with 2 columns: RESISTOR and CAPACITOR. It lists various resistor and capacitor types and their part names.

NOTICE (model) (J) JAPAN (U) U.S.A. (C) CANADA (R) GENERAL (T) CHINA (K) KOREA (A) AUSTRALIA (B) BRITISH (G) EUROPE (L) SINGAPORE (E) SOUTH EUROPE (V) TAIWAN (F) RUSSIAN (P) LATIN AMERICA



No replacement part available.

POINT (E) XL941 (Pin 3)

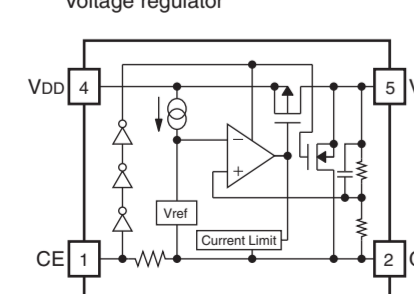


No replacement part available.

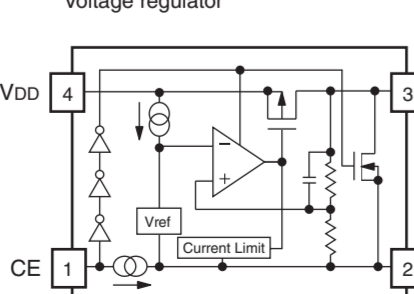
64 M SDRAM 16 M FLASH ROM

DIGITAL (1) DIGITAL9: DIR1&DSP1

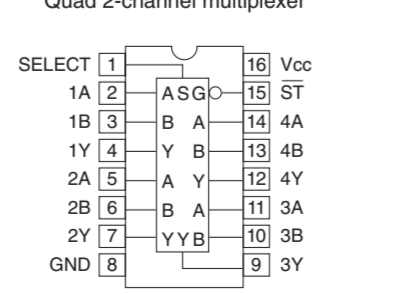
IC944: R117H2501D-T1-F Voltage regulator



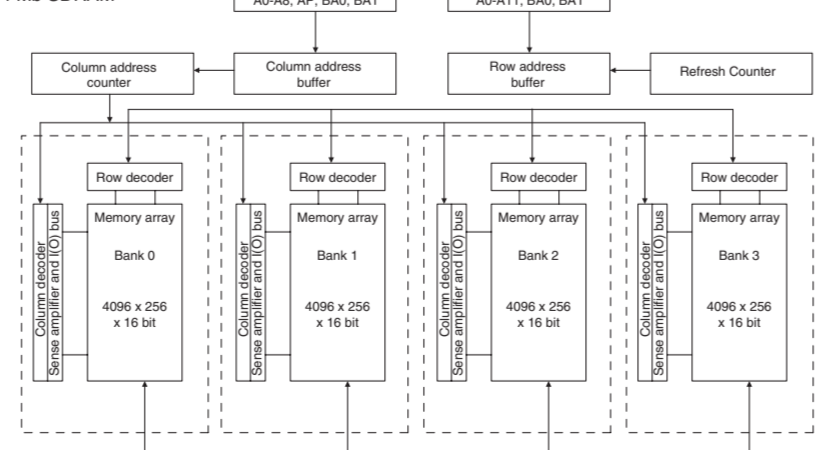
IC946: RP130Q331D-TR-F Voltage regulator



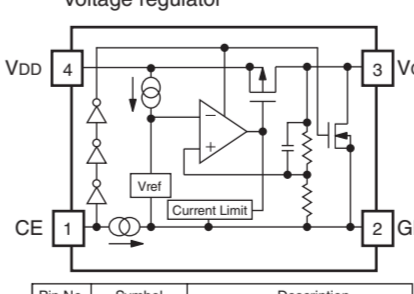
IC947: TC74VHC157FT Quad 2-channel multiplexer



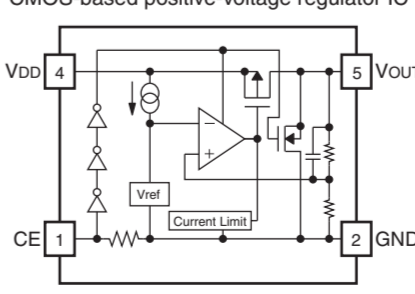
IC950: V54C36516V4E6 64 Mb SDRAM



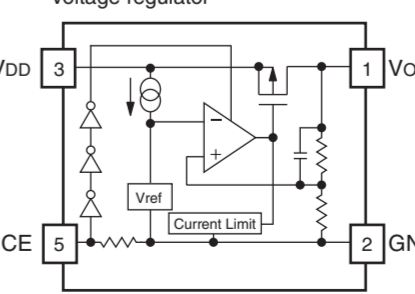
IC948: RP130Q501D-TR-F Voltage regulator



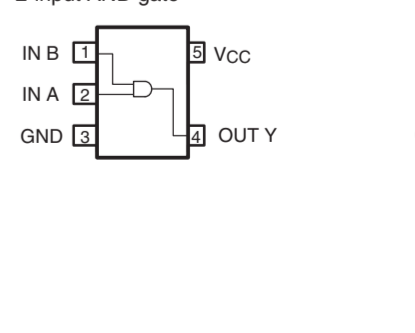
IC949: R117H212D-T1-F CMOS-based positive-voltage regulator IC



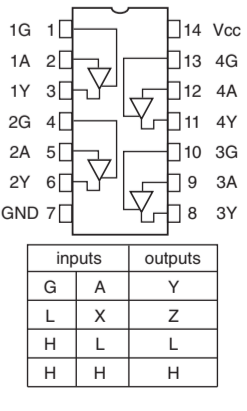
IC955: R117N501D-TR-F Voltage regulator



IC953-954: TC7SH08FU 2-input AND gate



IC952: TC74VHC126FT Quad bus buffer



Pin No. Symbol Description table for IC944.

Pin No. Symbol Description table for IC946.

Pin No. Symbol Description table for IC947.

Pin No. Symbol Description table for IC950.

Pin No. Symbol Description table for IC948.

Pin No. Symbol Description table for IC949.

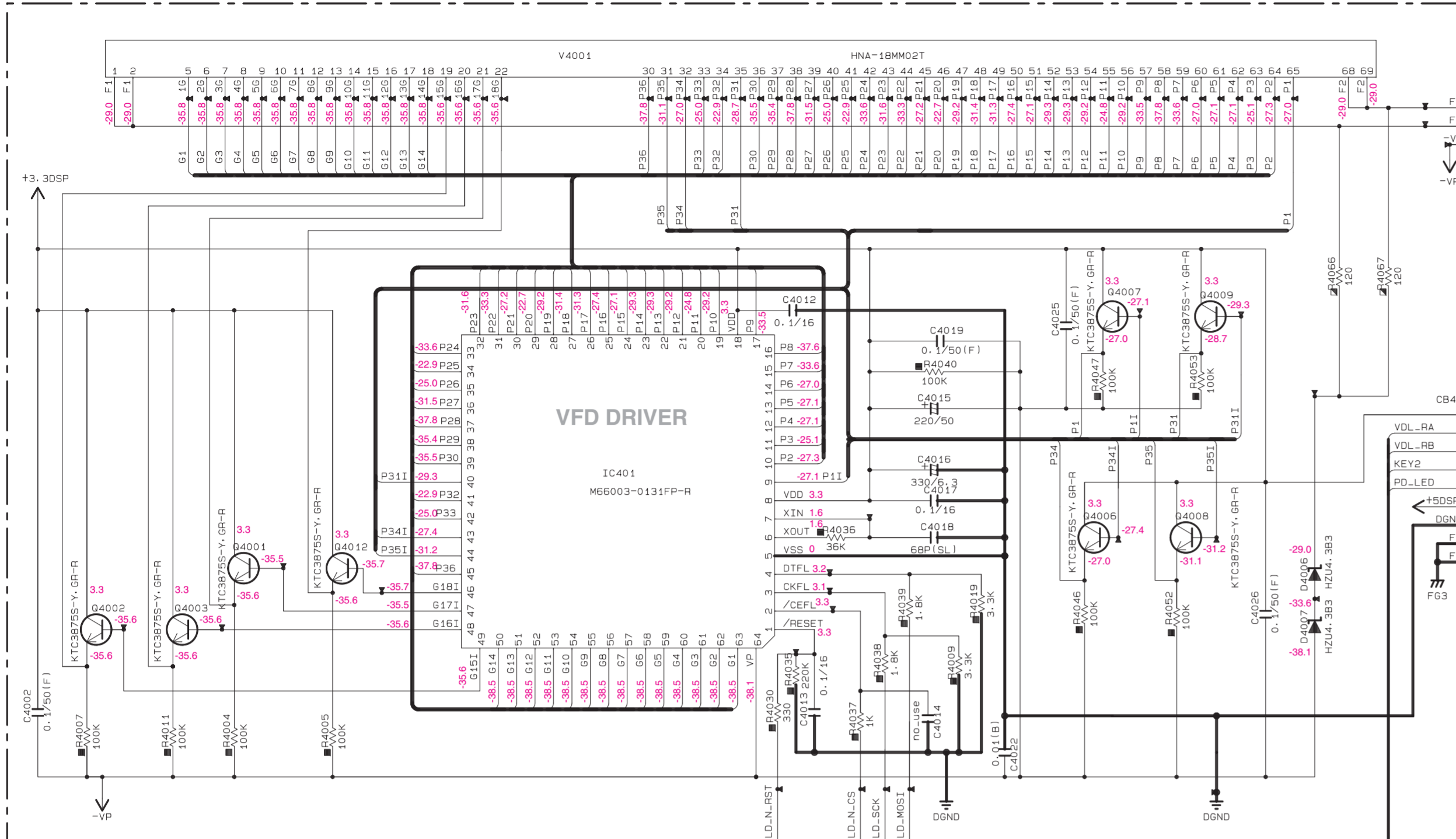
Pin No. Symbol Description table for IC955.

Pin No. Symbol Description table for IC953-954.

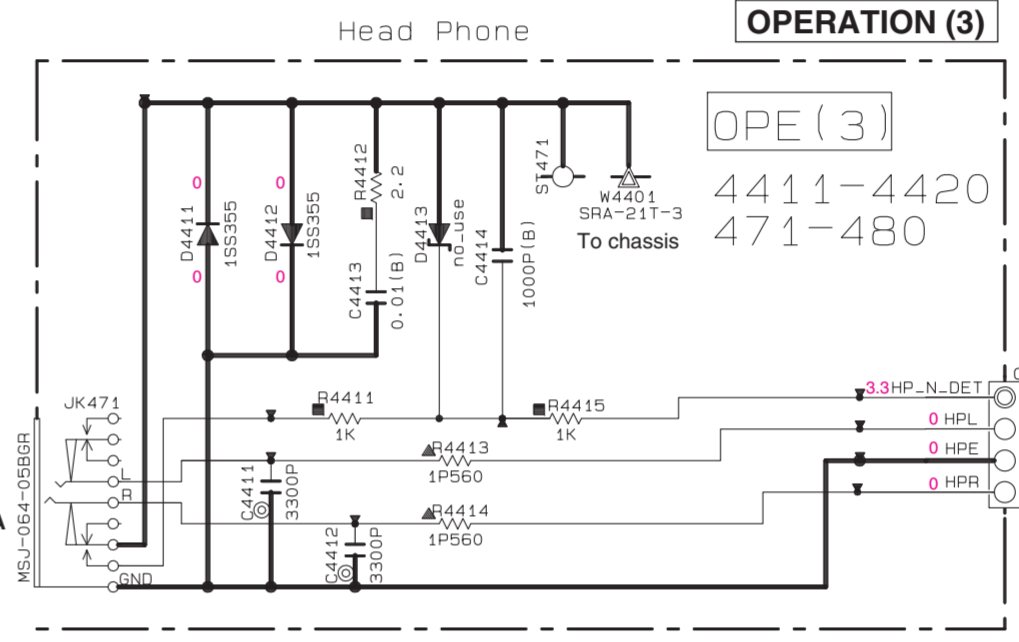
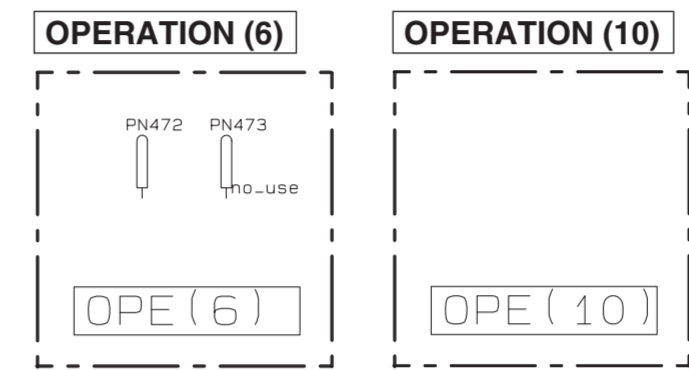
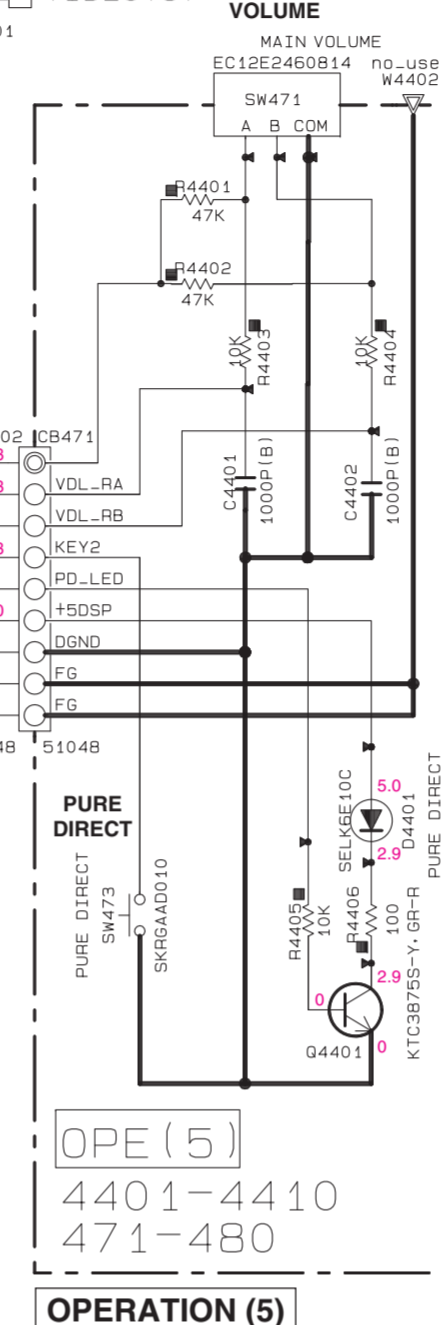
Pin No. Symbol Description table for IC952.

All voltages are measured with a 10MΩ/V DC electronic voltmeter. Components having special characteristics are marked Δ and must be replaced with parts having specifications equal to those originally installed. Schematic diagram is subject to change without notice.

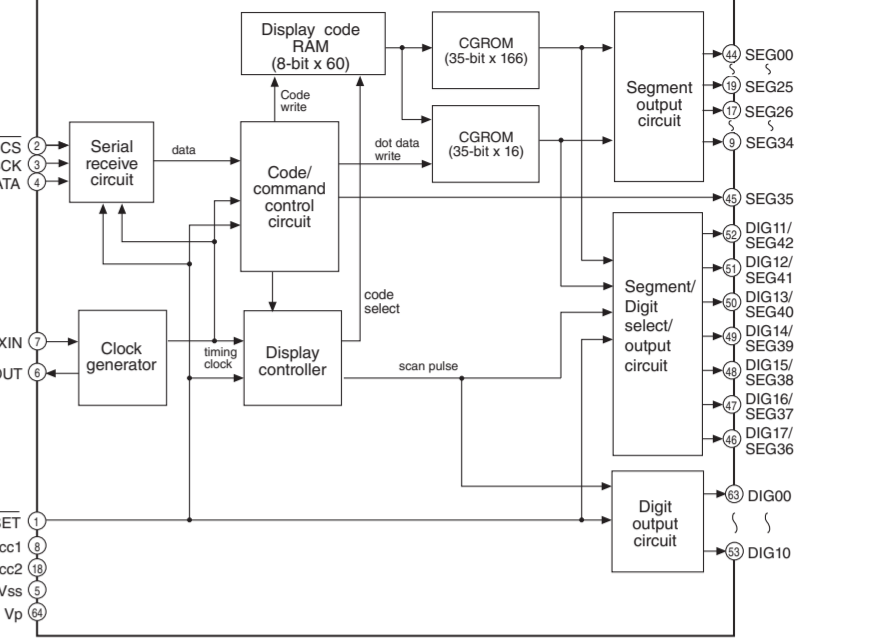
OPERATION 1/2



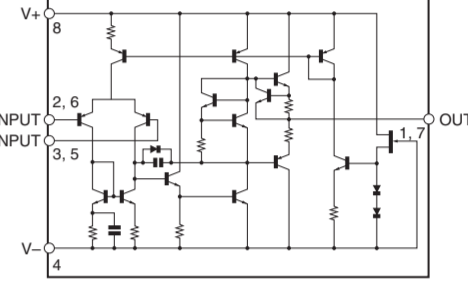
Page 119 [N9] to VIDEO (6)_CB333



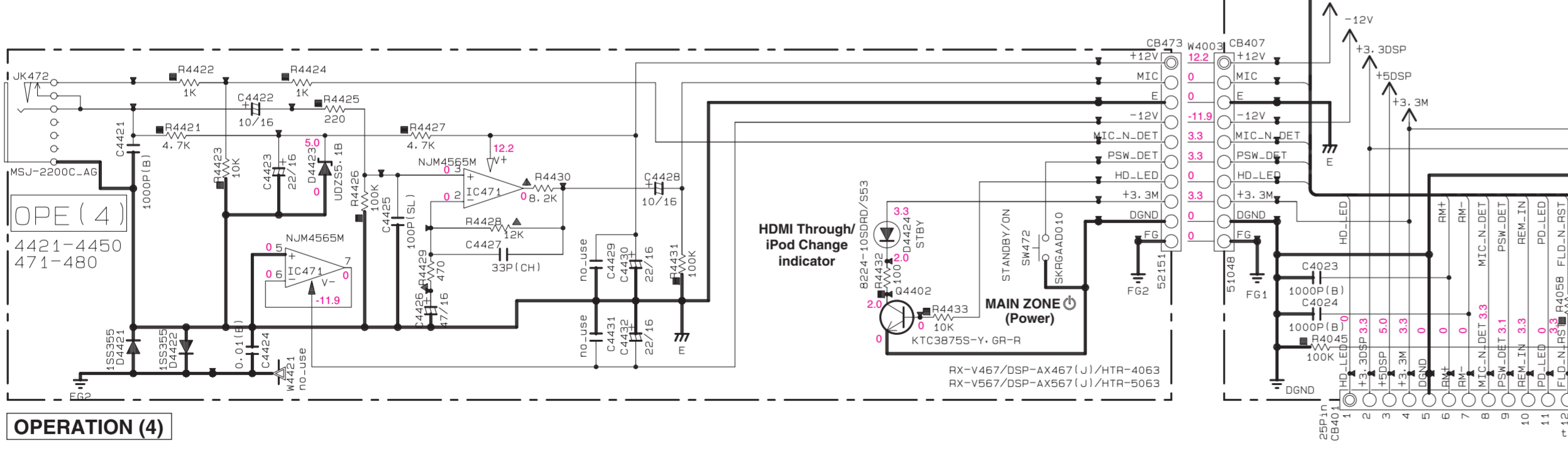
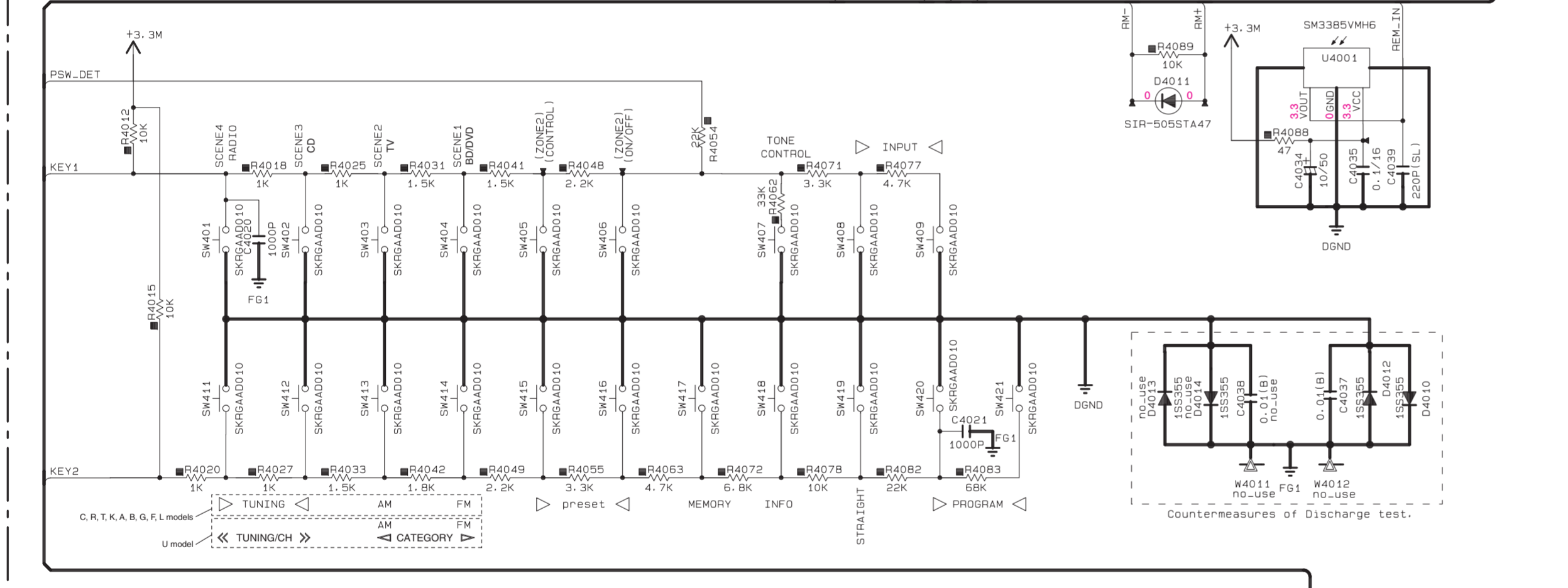
IC401: M66003-0131FP-R 18 digit 5 x 7 segment VFD controller/driver



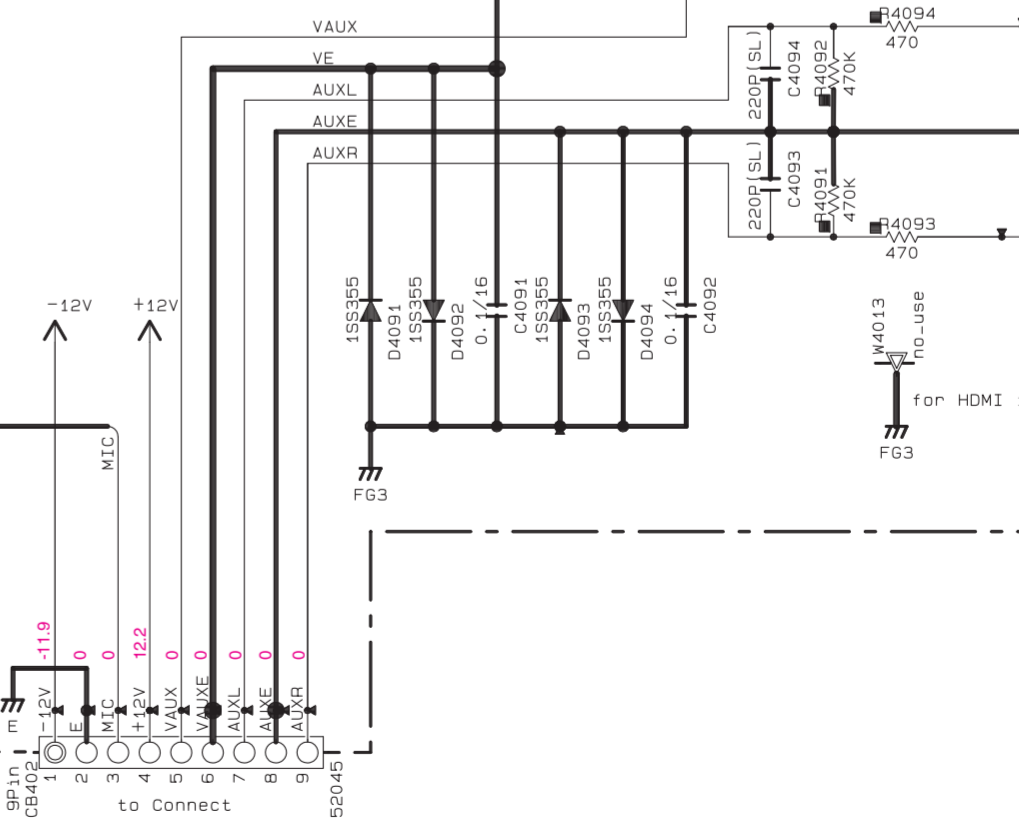
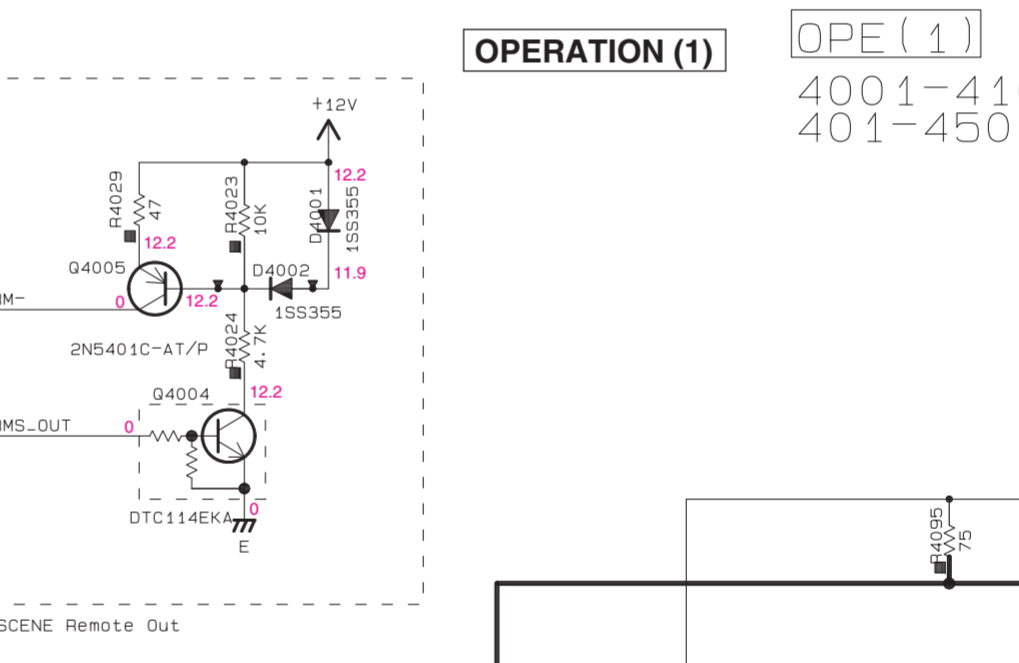
IC471: NJM4565M (TE1) Dual operational amplifier



Page 119 [B5] to VIDEO (1)_W3401



Page 112 [K8] to DIGITAL (1)_CB914



Page 115 [J8] to OPERATION (2)_CB458

Key detection for A/D port
Key input (A/D) pull-up resistance 10 k-ohms

Ohm	0	+10k	+10k	+15k	+15k	+22k	+33k	+47k	220k	330k		
V	0-0.15	0.15-0.42	0.43-0.70	0.71-0.97	0.98-1.24	1.25-1.53	1.54-1.84	1.85-2.22	2.23-2.62	2.63-3.04		
A/D conversion value (3.3V-255)	0-11	12-32	33-54	55-75	76-96	97-119	120-142	143-163	162-197	198-209		
KEY1 (139 pin)		RADIO (SCENE4)	CD (SCENE5)	TV (SCENE2)	ZONEZ (SCENE1)	CONTROL	ZONEZ ON/OFF	INPUT >	MAIN ZONE (power)	ZONE CONTROL		
Ohm	0	+10k	+10k	+15k	+15k	+22k	+33k	+47k	+68k	+100k	+220k	+680k
V	0-0.15	0.16-0.42	0.43-0.70	0.71-0.99	1.00-1.27	1.28-1.56	1.57-1.86	1.87-2.14	2.15-2.39	2.40-2.65	2.66-2.91	2.92-3.17
A/D conversion value (3.3V-255)	0-11	12-32	33-54	55-77	78-99	100-121	122-144	145-166	167-186	187-205	206-226	227-246
KEY2 (138 pin)		TUNING >>	TUNING <<	AM	FM	PRESET >	PRESET <	MEMORY	INFO	STRAIGHT >	PROGRAM <	

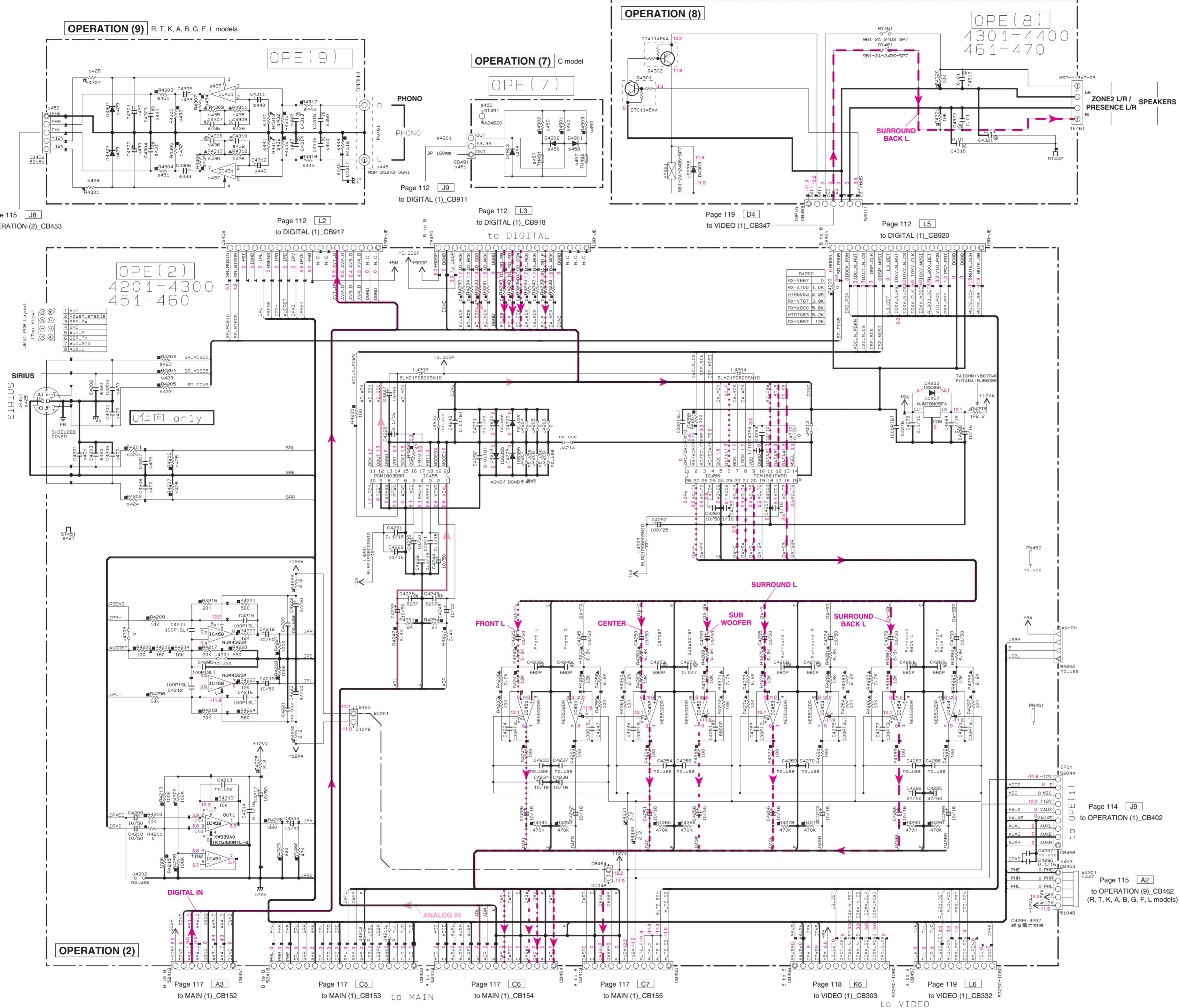
REMARKS	PARTS NAME	REMARKS	PARTS NAME
NO MARK	CARBON FILM RESISTOR (D=5)	NO MARK	ELECTROLYTIC CAPACITOR
□	CARBON FILM RESISTOR (D=10)	□	TANTALUM CAPACITOR
△	METAL OXIDE FILM RESISTOR	NO MARK	CERAMIC CAPACITOR
▲	METAL FILM RESISTOR	○	CERAMIC TUBULAR CAPACITOR
⊠	METAL PLATE RESISTOR	○	POLYESTER FILM CAPACITOR
▤	FIRE PROOF CARBON FILM RESISTOR	○	POLYSTYRENE FILM CAPACITOR
▥	CEMENT MOLDED RESISTOR	○	MICA CAPACITOR
⊗	SEMI-VARIABLE RESISTOR	○	POLYPROPYLENE FILM CAPACITOR
■	CHIP RESISTOR	○	SEMICONDUCTIVE CERAMIC CAPACITOR

NOTICE (model)

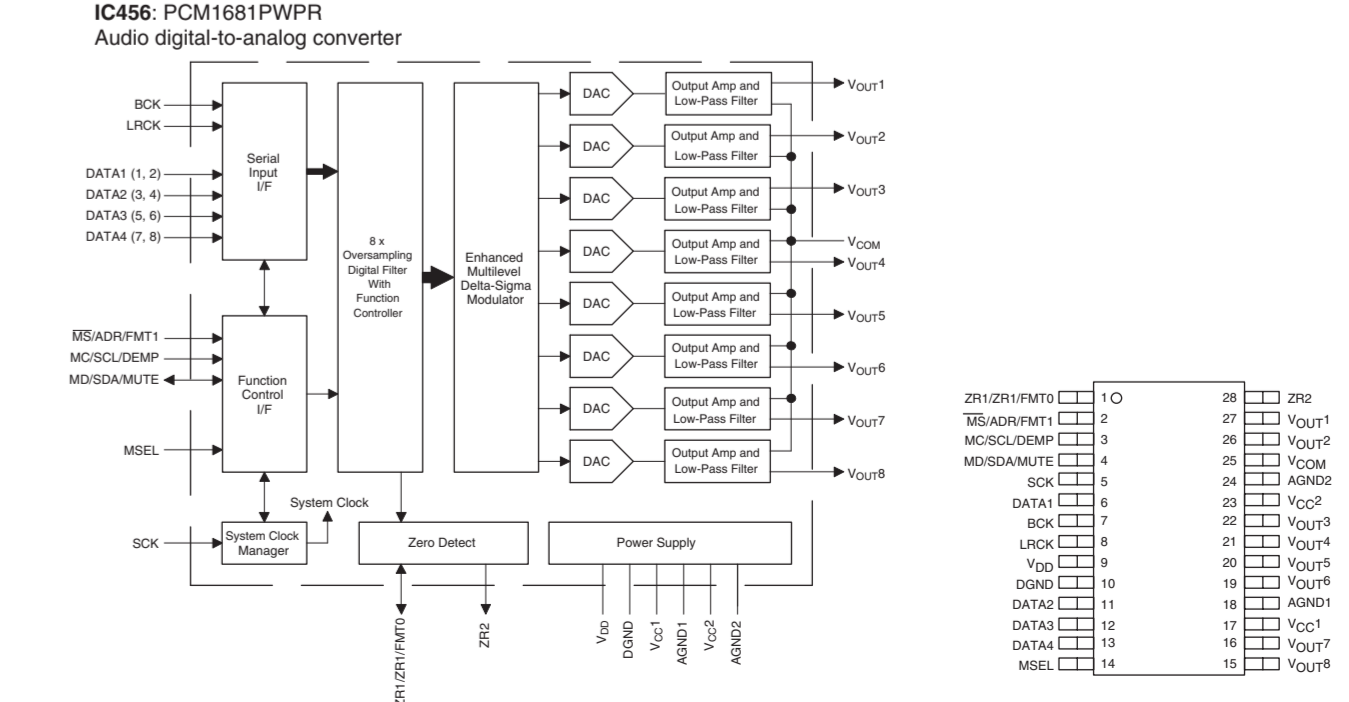
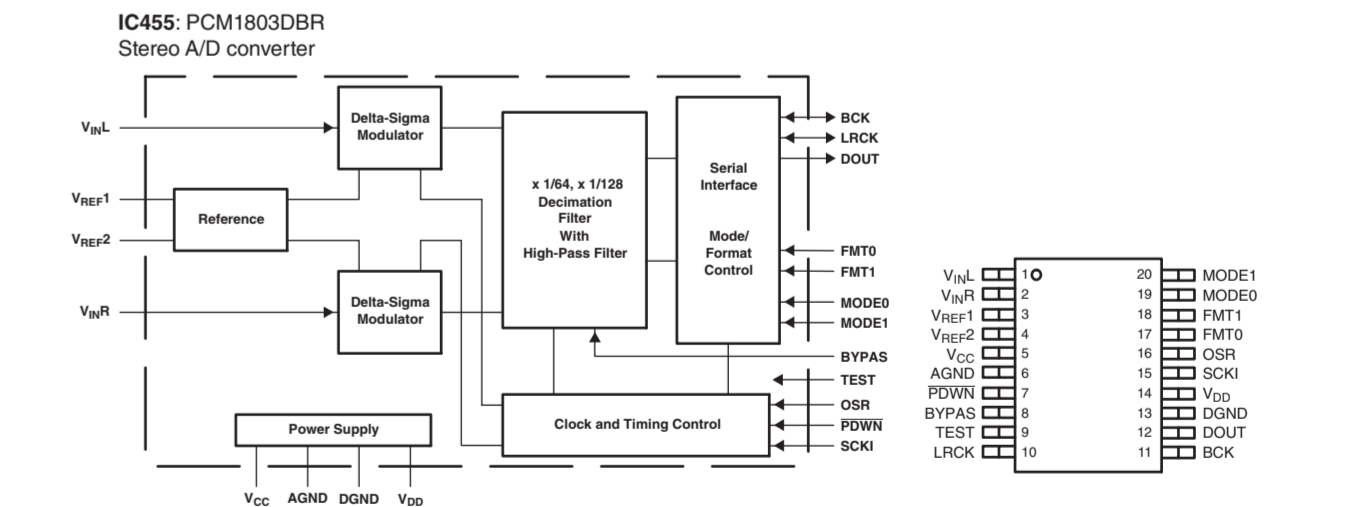
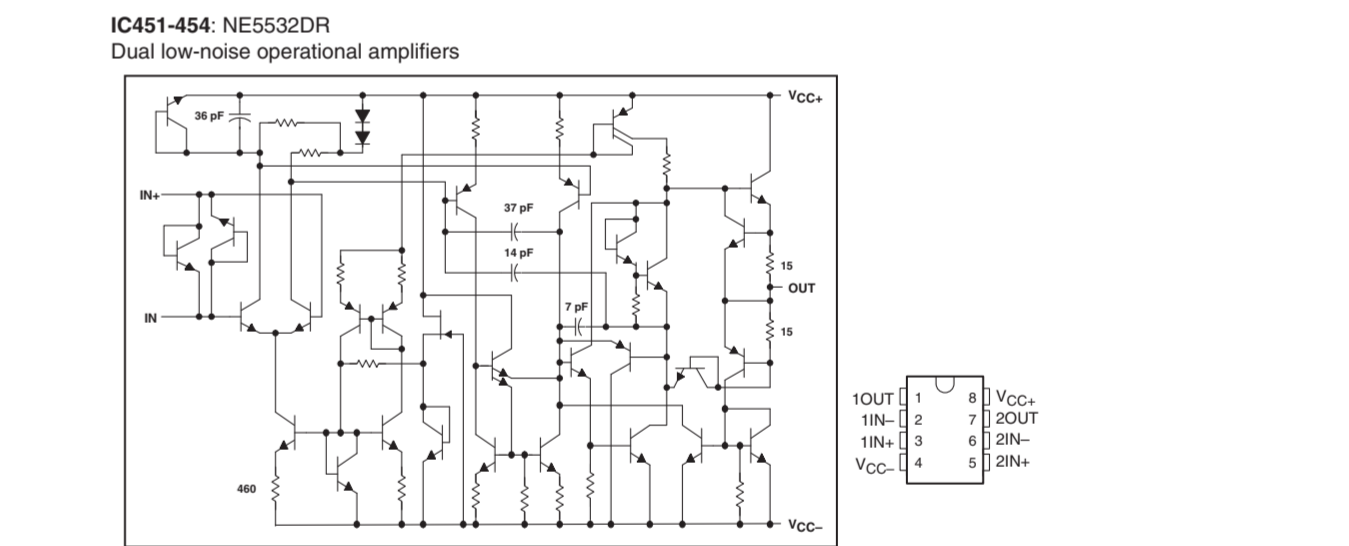
(J)..... JAPAN
 (U)..... U.S.A
 (C)..... CANADA
 (R)..... GENERAL
 (T)..... CHINA
 (K)..... KOREA
 (A)..... AUSTRALIA
 (B)..... BRITISH
 (G)..... EUROPE
 (L)..... SINGAPORE
 (E)..... SOUTH EUROPE
 (V)..... TAIWAN
 (F)..... RUSSIAN
 (P)..... LATIN AMERICA

* All voltages are measured with a 10MΩ/V DC electronic voltmeter.
 * Components having special characteristics are marked Δ and must be replaced with parts having specifications equal to those originally installed.
 * Schematic diagram is subject to change without notice.

OPERATION 2/2



Destination Part List				Destination Part List				
RXX	LOC	U	C	RTK48FL	RXX	LOC	C	A
9420	C4202 - C4208	US06222	X	X	9420	C4202 - C4208	X	X
9421	C4201	US06310	X	X	9421	C4201	X	X
9422	R4205	RD35433	X	X	9422	R4205	X	X
9423	R4204	RD35433	X	X	9423	R4204	X	X
9424	R4202	RD35447	X	X	9424	R4202	X	X
9425	JK451	MD-SB130-90	X	X	9425	JK451	X	X
9426	R4206	RD35810	X	X	9426	R4206	X	X
9427	ST451	V404050	X	X	9427	ST451	X	X
9428	R4302	X	X	X	9428	R4302	X	X
9429	D4301	X	X	X	9429	D4301	X	X
9430	C4301	X	X	X	9430	C4301	X	X
9431	C4304	X	X	X	9431	C4304	X	X
9432	R4305 - R4306	X	X	X	9432	R4305 - R4306	X	X
9433	C4305	X	X	X	9433	C4305	X	X
9434	R4308	X	X	X	9434	R4308	X	X
9435	R4309	X	X	X	9435	R4309	X	X
9436	C4308	X	X	X	9436	C4308	X	X
9437	IC461	X	X	X	9437	IC461	X	X
9438	R4312	X	X	X	9438	R4312	X	X
9439	C4309	X	X	X	9439	C4309	X	X
9440	C4311	X	X	X	9440	C4311	X	X
9441	R4314	X	X	X	9441	R4314	X	X
9442	C4313	X	X	X	9442	C4313	X	X
9443	R4318	X	X	X	9443	R4318	X	X
9444	R4319	X	X	X	9444	R4319	X	X
9445	C4317	X	X	X	9445	C4317	X	X
9446	PJ461	X	X	X	9446	PJ461	X	X
9447	W4301	X	X	X	9447	W4301	X	X
9450	C4318	X	X	X	9450	C4318	X	X
9451	R4304	X	X	X	9451	R4304	X	X
9452	CB462	X	X	X	9452	CB462	X	X
9453	CB453	X	X	X	9453	CB453	X	X
9454	ST491	X	X	X	9454	ST491	X	X
9457	TH492	X	X	X	9457	TH492	X	X
9458	D4901	X	X	X	9458	D4901	X	X
9459	R4902	X	X	X	9459	R4902	X	X
9460	R4901	X	X	X	9460	R4901	X	X
9461	CB491	X	X	X	9461	CB491	X	X
9462	W4901	X	X	X	9462	W4901	X	X

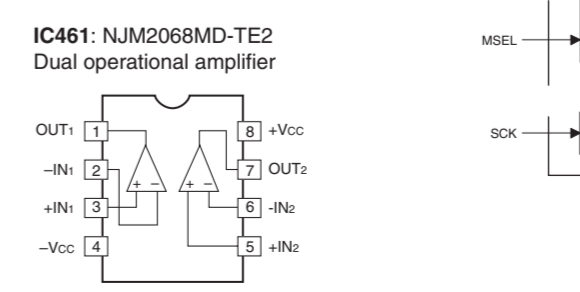
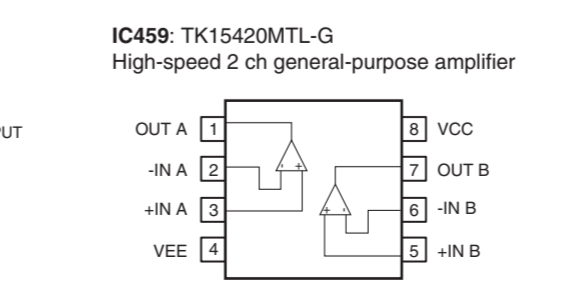
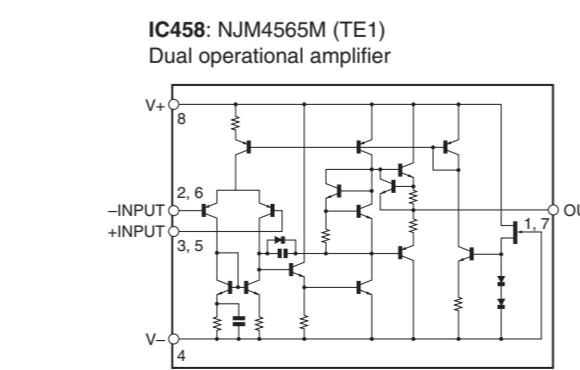
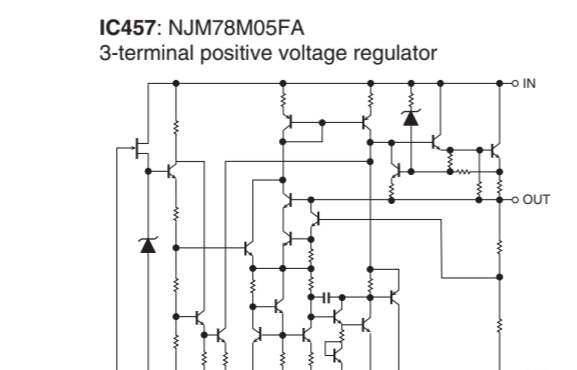


RESISTOR	REMARKS	PARTS NAME	CAPACITOR	REMARKS	PARTS NAME
NO MARK		CARBON FILM RESISTOR (P=5)	NO MARK		ELECTROLYTIC CAPACITOR
NO MARK		CARBON FILM RESISTOR (P=10)	NO MARK		TANTALUM CAPACITOR
NO MARK		METAL OXIDE FILM RESISTOR	NO MARK		CERAMIC CAPACITOR
NO MARK		METAL FILM RESISTOR	NO MARK		CERAMIC TUBULAR CAPACITOR
NO MARK		METAL PLATE RESISTOR	NO MARK		POLYESTER FILM CAPACITOR
NO MARK		FIRE PROOF CARBON FILM RESISTOR	NO MARK		POLYSTYRENE FILM CAPACITOR
NO MARK		CEMENT MOLDED RESISTOR	NO MARK		MICA CAPACITOR
NO MARK		SEMI VARIABLE RESISTOR	NO MARK		POLYPROPYLENE FILM CAPACITOR
NO MARK		CHIP RESISTOR	NO MARK		SEMICONDUCTIVE CERAMIC CAPACITOR

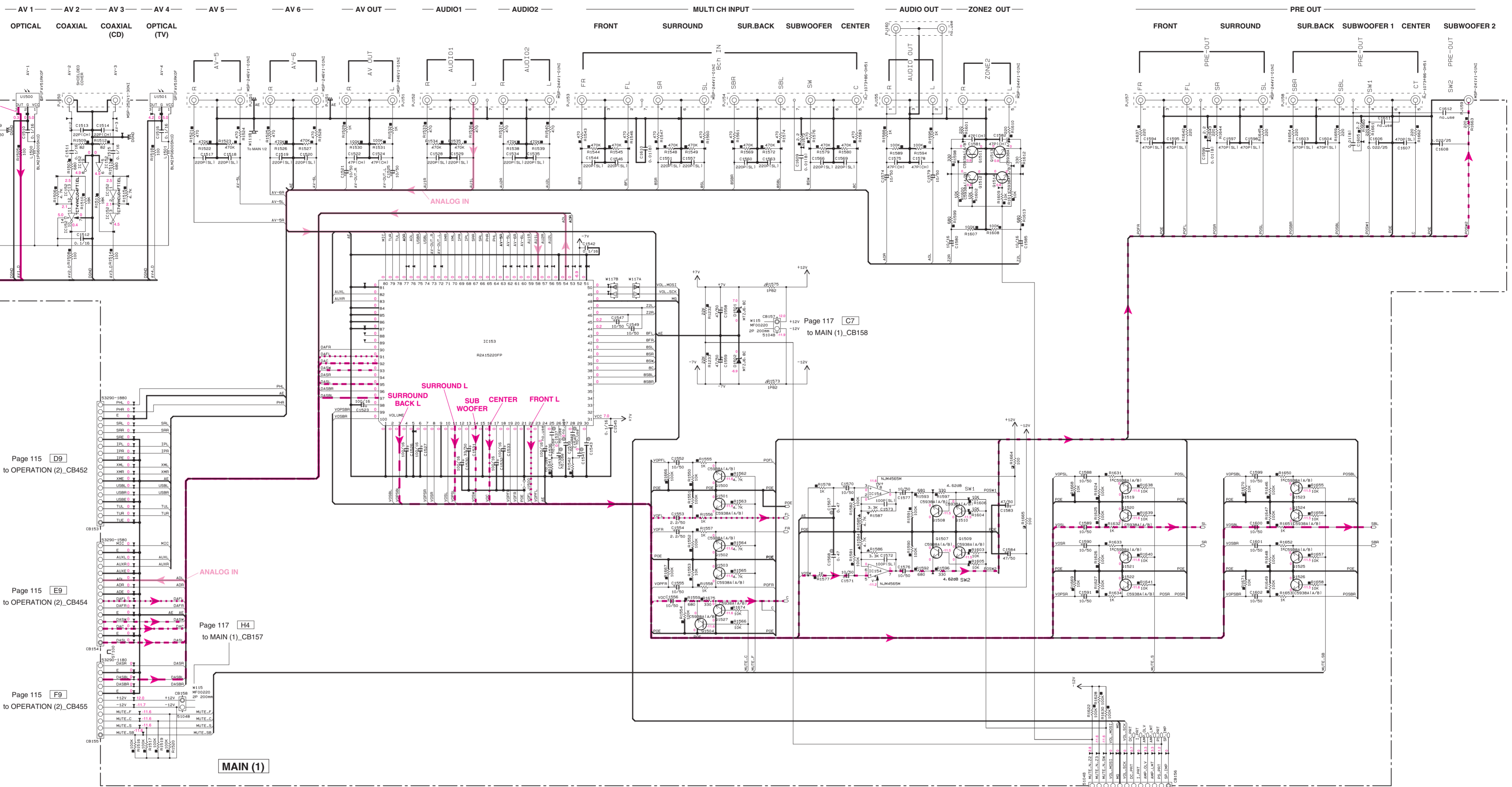
NOTICE (mode1)

(J)..... JAPAN
 (U)..... U.S.A.
 (C)..... CANADA
 (K)..... KOREA
 (A)..... AUSTRALIA
 (B)..... BRITISH EUROPE
 (E)..... SOUTH EUROPE
 (V)..... TAIWAN
 (F)..... RUSSIAN
 (P)..... LATIN AMERICA

* All voltages are measured with a 10MQV DC electronic voltmeter.
 * Components having special characteristics are marked A, and must be replaced with parts having specifications equal to those originally installed.
 * Schematic diagram is subject to change without notice.



MAIN 2/2

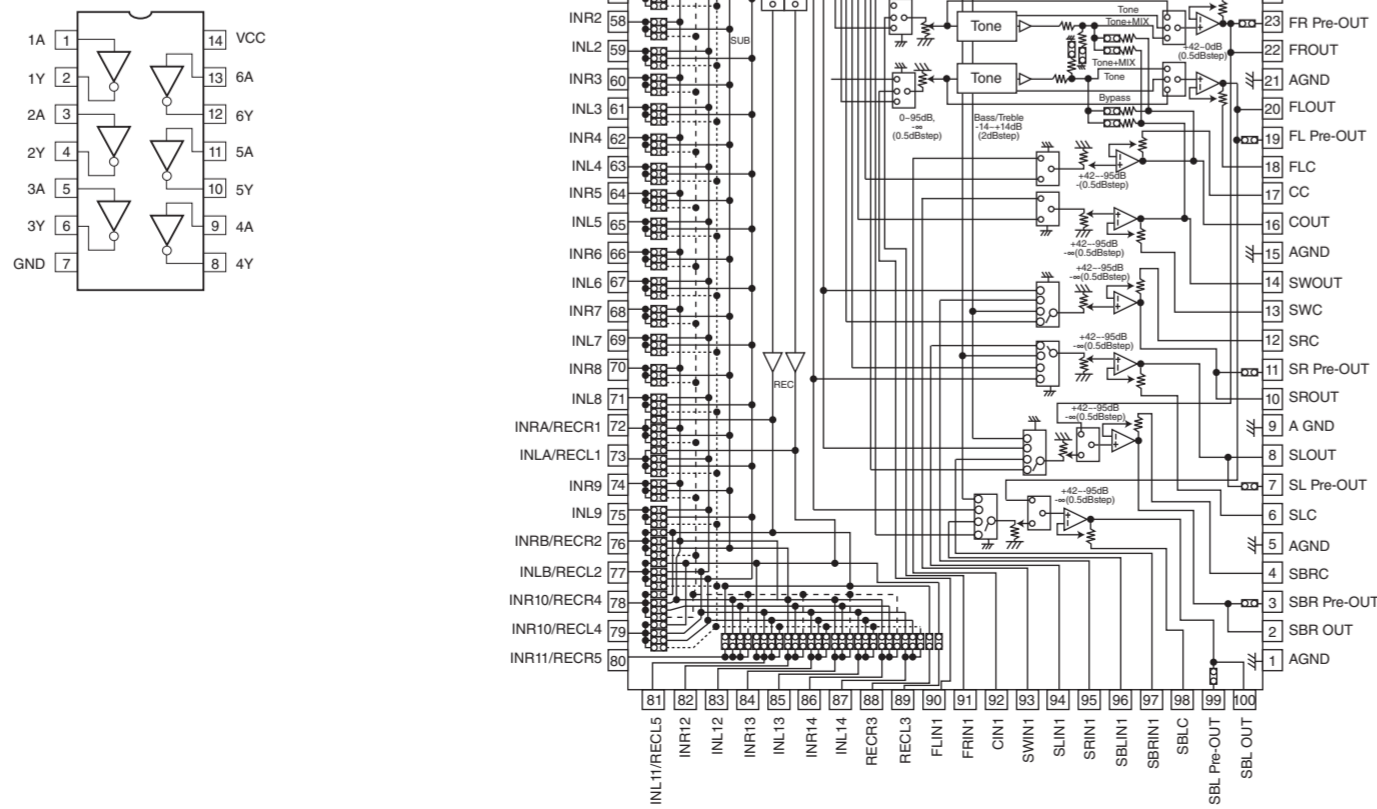


MAIN (1)

IC153: R2A15220FP
8-channel electronic volume with 11 input selector and tone control

IC152: TC74VHC04FT
Hex inverters

IC154: NJM4565M (TE1)
Dual operational amplifier



NOTICE (model1)
(J) JAPAN
(U) U.S.A
(C) CANADA
(R) GENERAL
(T) CHINA
(K) KOREA
(A) AUSTRALIA
(B) BRITISH
(G) EUROPE
(L) SINGAPORE
(E) SOUTH EUROPE
(V) TAIWAN
(F) RUSSIAN
(P) LATIN AMERICA

REMARKS	PARTS NAME
NO MARK	CARBON FILM RESISTOR (P=5)
△	CARBON FILM RESISTOR (P=10)
▲	METAL OXIDE FILM RESISTOR
□	METAL FILM RESISTOR
○	METAL PLATE RESISTOR
■	FILM PROOF CARBON FILM RESISTOR
□	CEMENT MOLDED RESISTOR
○	SEMI VARIABLE RESISTOR
■	CHIP RESISTOR

REMARKS	PARTS NAME
NO MARK	ELECTROLYTIC CAPACITOR
□	TANTALUM CAPACITOR
○	POLYESTER FILM CAPACITOR
●	CERAMIC TUBULAR CAPACITOR
○	POLYSTYRENE FILM CAPACITOR
⊖	MICA CAPACITOR
⊕	POLYPROPYLENE FILM CAPACITOR
●	SEMICONDUCTIVE CERAMIC CAPACITOR

* All voltages are measured with a 10MΩ/DC electronic voltmeter.
* Components having special characteristics are marked Δ, and must be replaced with parts having specifications equal to those originally installed.
* Schematic diagram is subject to change without notice.

VIDEO 1/3

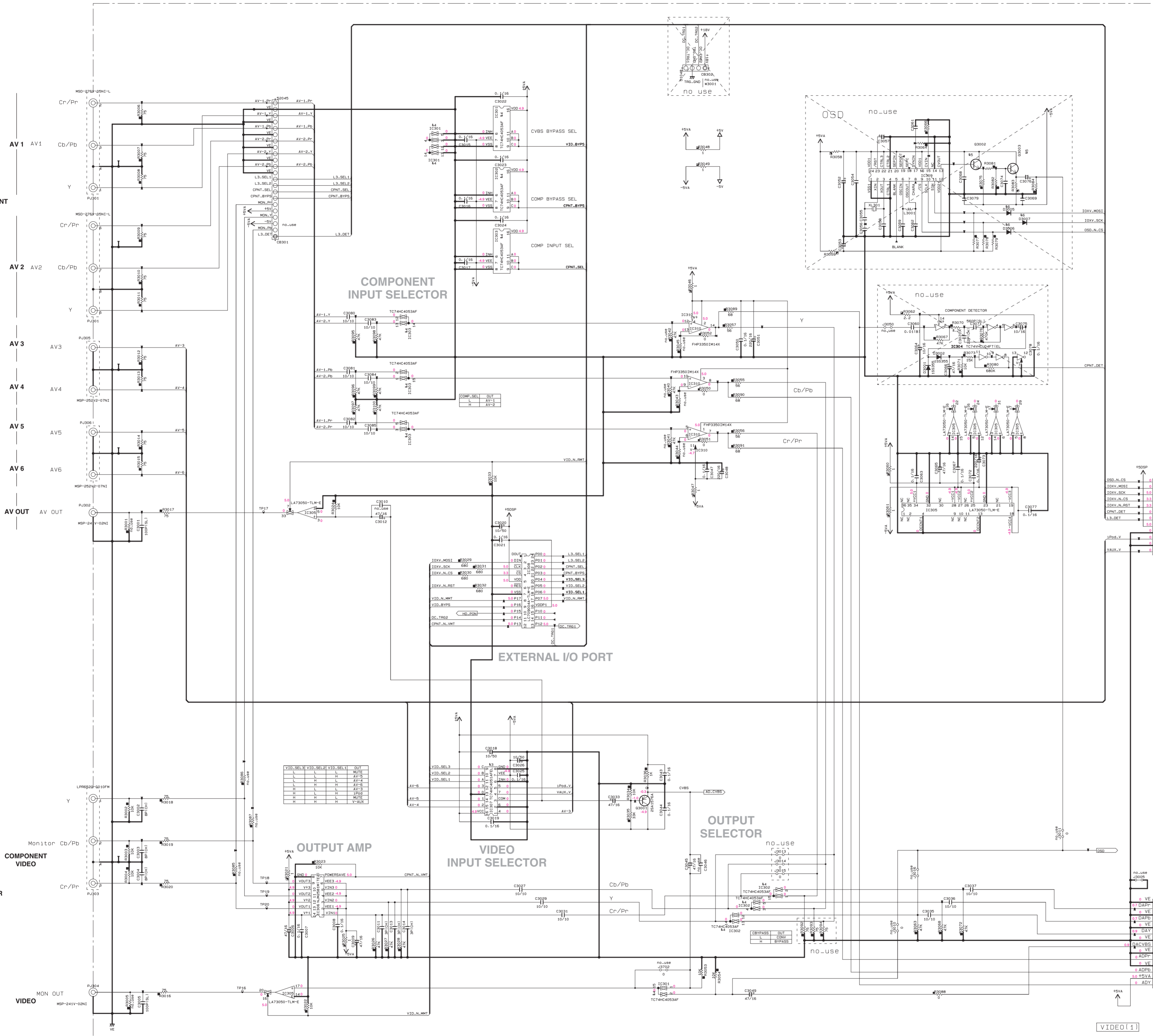
COMPONENT VIDEO

VIDEO

COMPONENT VIDEO

MONITOR OUT

VIDEO



NOTICE (mode1)
 (J) JAPAN
 (U) U.S.A
 (C) CANADA
 (R) GENERAL
 (T) CHINA
 (K) KOREA
 (A) AUSTRALIA
 (B) BRITISH
 (G) EUROPE
 (L) SINGAPORE
 (E) SOUTH EUROPE
 (V) TAIWAN
 (F) RUSSIAN
 (P) LATIN AMERICA

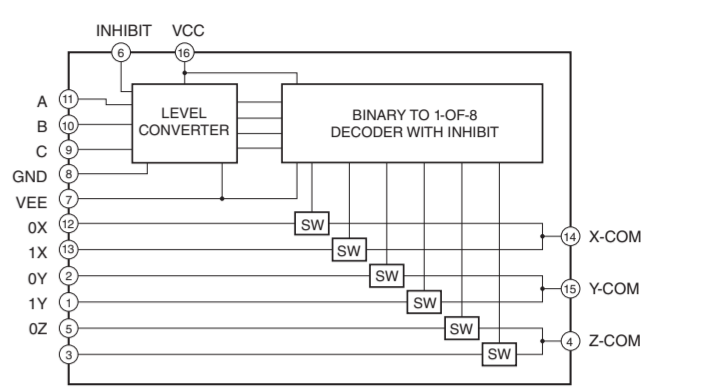
RESISTOR

REMARKS	PARTS NAME
NO MARK	CARBON FILM RESISTOR (P=5)
△	CARBON FILM RESISTOR (P=10)
▲	METAL OXIDE FILM RESISTOR
△	METAL FILM RESISTOR
⊙	METAL PLATE RESISTOR
⊙	FINE PROOF CARBON FILM RESISTOR
□	PRECISE METAL-GLAZE RESISTOR
⊙	SEMI-VARIABLE RESISTOR
■	CHIP RESISTOR

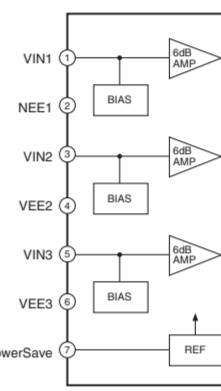
CAPACITOR

REMARKS	PARTS NAME
NO MARK	ELECTROLYTIC CAPACITOR
⊙	TANTALUM CAPACITOR
NO MARK	CERAMIC CAPACITOR
⊙	CERAMIC TUBULAR CAPACITOR
⊙	POLYESTER FILM CAPACITOR
⊙	POLYSTYRENE FILM CAPACITOR
⊙	MICA CAPACITOR
⊙	POLYPROPYLENE FILM CAPACITOR
⊙	SEMICONDUCTIVE CERAMIC CAPACITOR

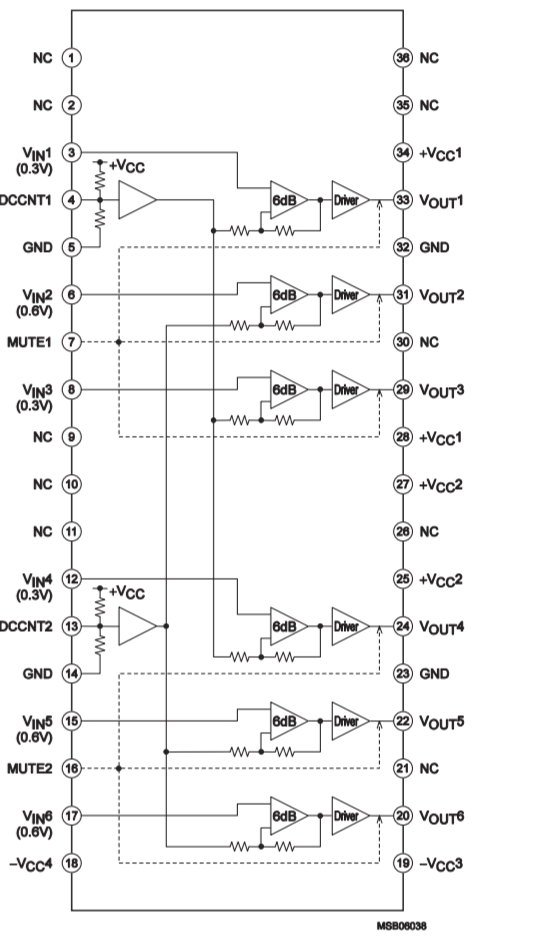
IC301-303: TC74HC4053AF



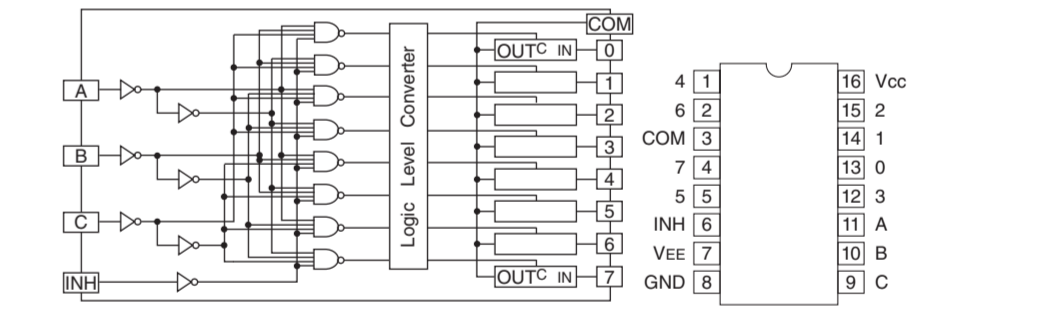
IC306: NJM2581M



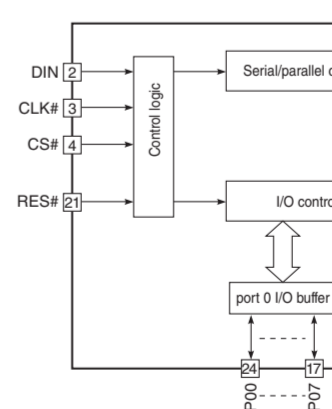
IC305: LA73050-TLM-E



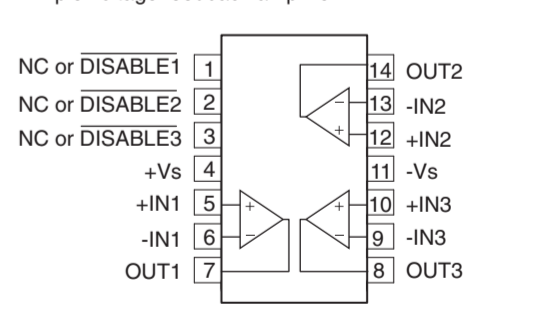
IC307: TC74HC4051AFEL



IC308: LC709004A-TLM-E



IC310: FHP3350IM14X



Page 115 [H9]
 to OPERATION (2)_CB456

Page 108 [H2]
 to DIGITAL (1)_CB34

To Digital

VIDEO (1)

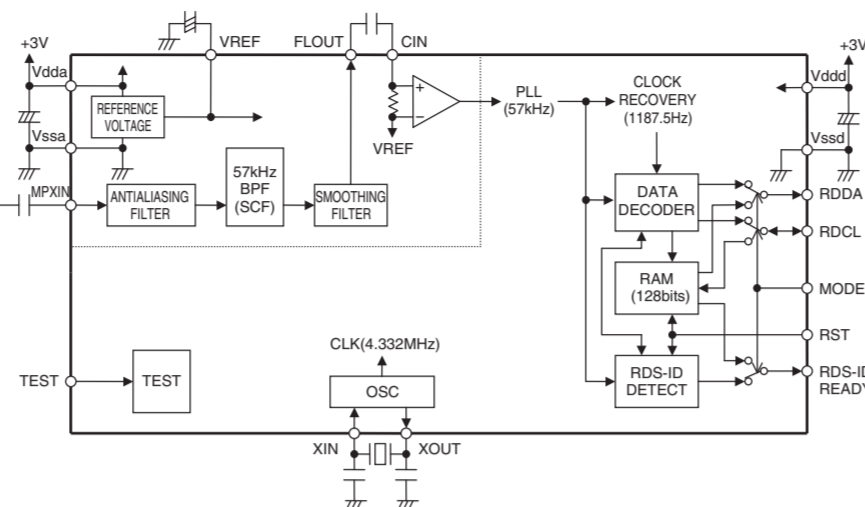
VIDEO(1)
 CVBS COMPONENT SEL
 301~319
 3001~3199

* All voltages are measured with a 10MΩV DC electronic voltmeter.
 * Components having special characteristics are marked Δ and must be replaced with parts having specifications equal to those originally installed.
 * Schematic diagram is subject to change without notice.

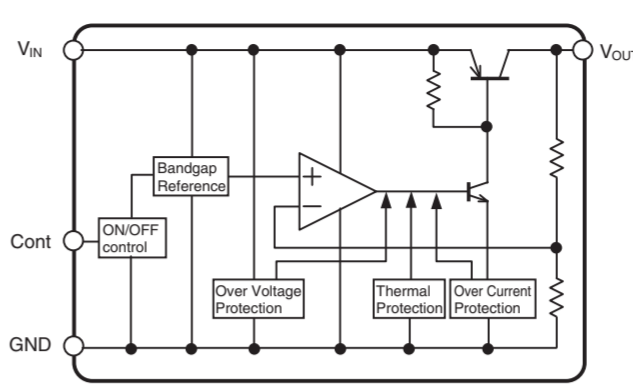
VIDEO 2/3

Destination Part List	LOC	U	C	R	T	K	A	B0F	L
s201	IC321	X	X	X	X	X	X	LC72725KM-U/TLM-E	X
s202	AL321	X	X	X	X	X	X	V27310 4.33MHz	X
s203	C3201	X	X	X	X	X	X	US27310 27310	X
s204	C3202	X	X	X	X	X	X	US19510 0.174K	X
s205	R3201	X	X	X	X	X	X	RD39510 100	X
s206	C3202	X	X	X	X	X	X	US23710 100/76	X
s207	C3206	X	X	X	X	X	X	US26950 500/18	X
s208	R3202	X	X	X	X	X	X	RD39501 5.1K	X
s209	C3207	X	X	X	X	X	X	US26920 330P/5L	X
s210	R3204	X	X	X	X	X	X	RD39720 33K	X
s211	R3205	X	X	X	X	X	X	RD39633 33K	X
s212	C3201	X	X	X	X	X	X	US17400 C17400/RV/51	X
s213	R3206	X	X	X	X	X	X	RD39810 500K	X
s214	R3207	X	X	X	X	X	X	RD39733 33K	X
s215	R3208	X	X	X	X	X	X	HV75568 680	X
s216	C3201	X	X	X	X	X	X	US17400 MT2J3.3B	X
s217	C3211	X	X	X	X	X	X	US2747 47.7K	X
s281	TE342	MS6100	MS6100	MS6100	MS6100	MS6100	MS6100	MS6100	MS6100
s282	TE341	MS6080	MS6080	MS6080	MS6080	MS6080	MS6080	MS6080	MS6080
s283	TE343	MS7-204V1-01	MS7-204V1-01	MS7-204V1-01	MS7-204V1-01	MS7-204V1-01	MS7-204V1-01	MS7-204V1-01	MS7-204V1-01
s284	R3350	X	X	X	X	X	X	US40000 2.2K	X
s293	O3350	X	X	X	X	X	X	US17390 US2218R	X

IC321: LC72725KM-U/TLM-E
RDS signal demodulation IC

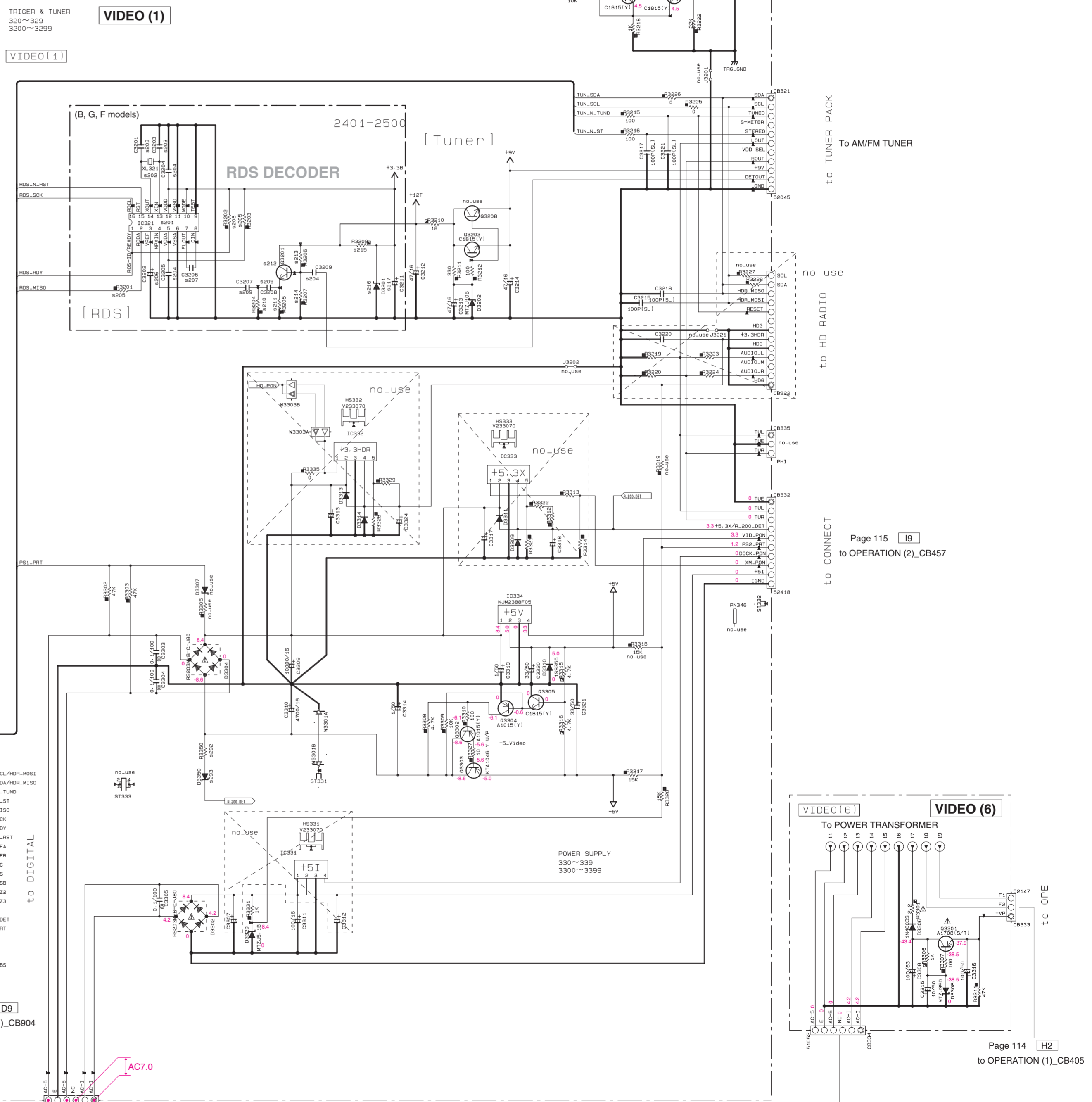
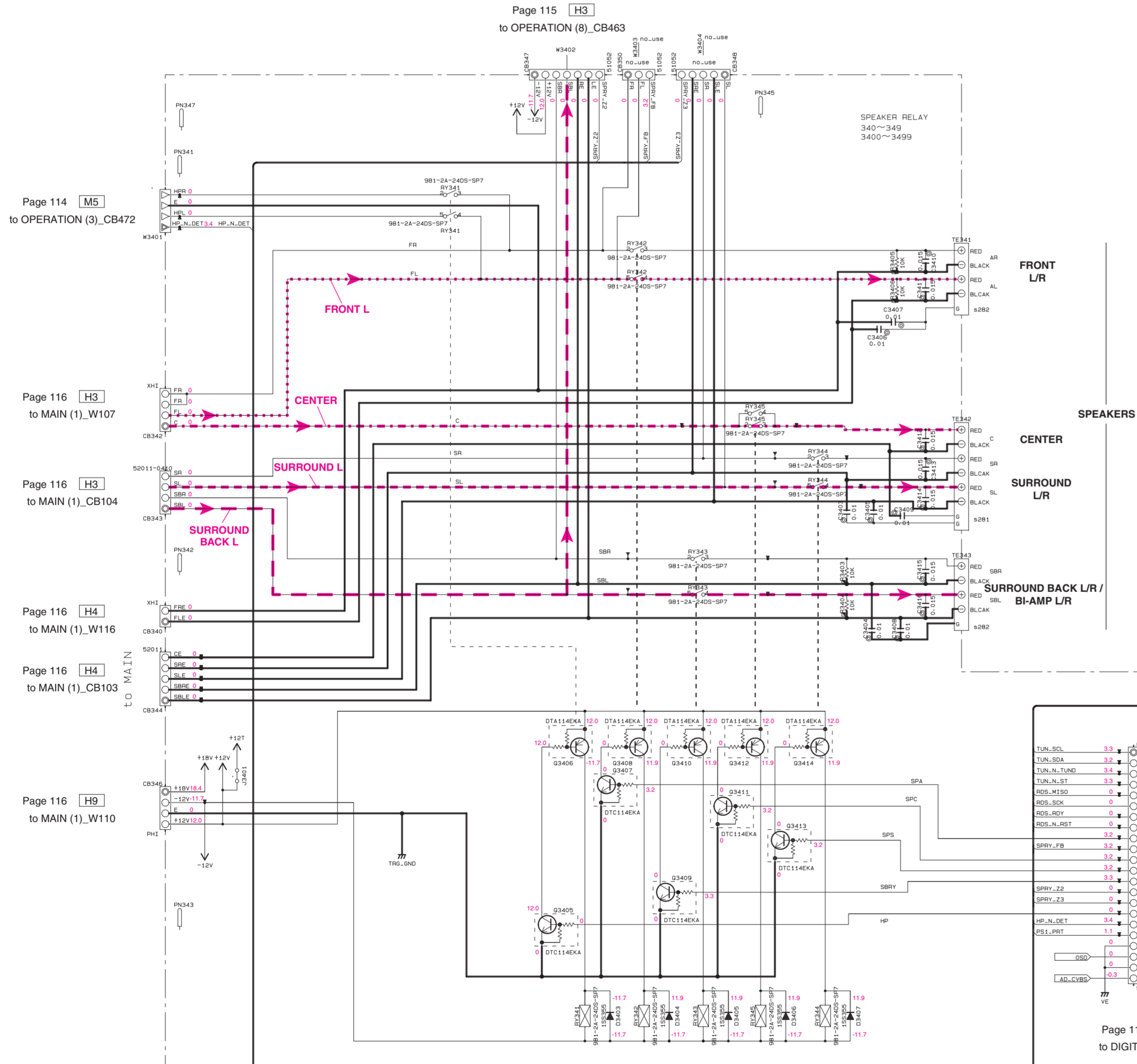


IC334: NJM2388F05
Low dropout voltage regulator with ON/OFF control



RESISTOR	PARTS NAME	CAPACITOR	PARTS NAME
NO MARK	CARBON FILM RESISTOR (P=5)	NO MARK	ELECTROLYTIC CAPACITOR
△	CARBON FILM RESISTOR (P=10)	△	TANTALUM CAPACITOR
□	METAL OXIDE FILM RESISTOR	□	CERAMIC CAPACITOR
○	METAL FILM RESISTOR	○	CERAMIC TUBULAR CAPACITOR
◇	FIRE PROOF CARBON FILM RESISTOR	◇	POLYESTER FILM CAPACITOR
◇	CEMENT MOUNTED RESISTOR	◇	POLYSTYRENE FILM CAPACITOR
◇	SEMI-VARIABLE RESISTOR	◇	MICA CAPACITOR
◇	CHIP RESISTOR	◇	POLYPROPYLENE FILM CAPACITOR
		◇	SEMICONDUCTIVE CERAMIC CAPACITOR

NOTICE (mode1)
 (J)..... JAPAN
 (U)..... U.S.A.
 (C)..... CANADA
 (R)..... GENERAL
 (T)..... CHINA
 (K)..... KOREA
 (A)..... AUSTRALIA
 (B)..... BRITISH
 (E)..... EUROPE
 (S)..... SINGAPORE
 (V)..... TAIWAN
 (R)..... RUSSIAN
 (P)..... LATIN AMERICA



Page 114 [M5] to OPERATION (3)_CB472

Page 116 [H3] to MAIN (1)_W107

Page 116 [H3] to MAIN (1)_CB104

Page 116 [H4] to MAIN (1)_W116

Page 116 [H4] to MAIN (1)_CB103

Page 116 [H9] to MAIN (1)_W110

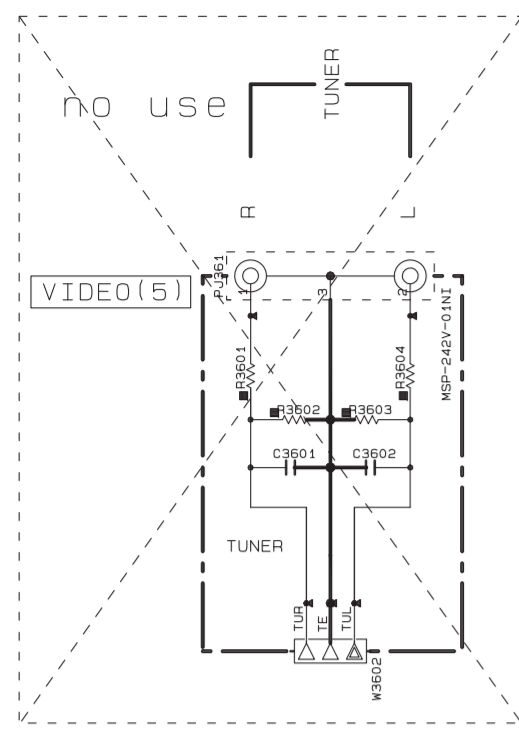
Page 112 [D9] to DIGITAL (1)_CB904

Page 115 [19] to OPERATION (2)_CB457

Page 114 [H2] to OPERATION (1)_CB405

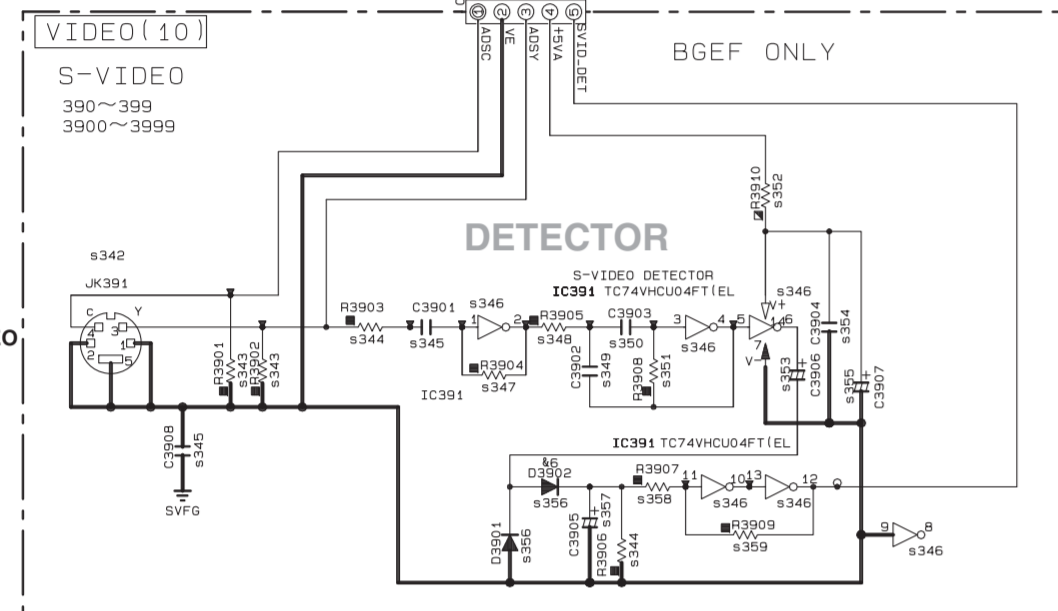
* All voltages are measured with a 10MΩ/DC electronic voltmeter.
 * Components having special characteristics are marked △ and must be replaced with parts having specifications equal to those originally installed.
 * Schematic diagram is subject to change without notice.

VIDEO 3/3

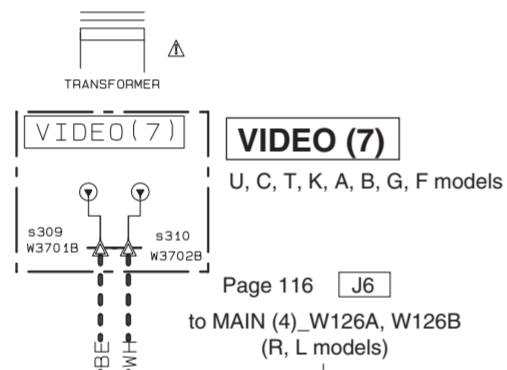


Page 112 [J8] to DIGITAL (1)_CB913

Page 108 [E1] to DIGITAL (1)_CB31

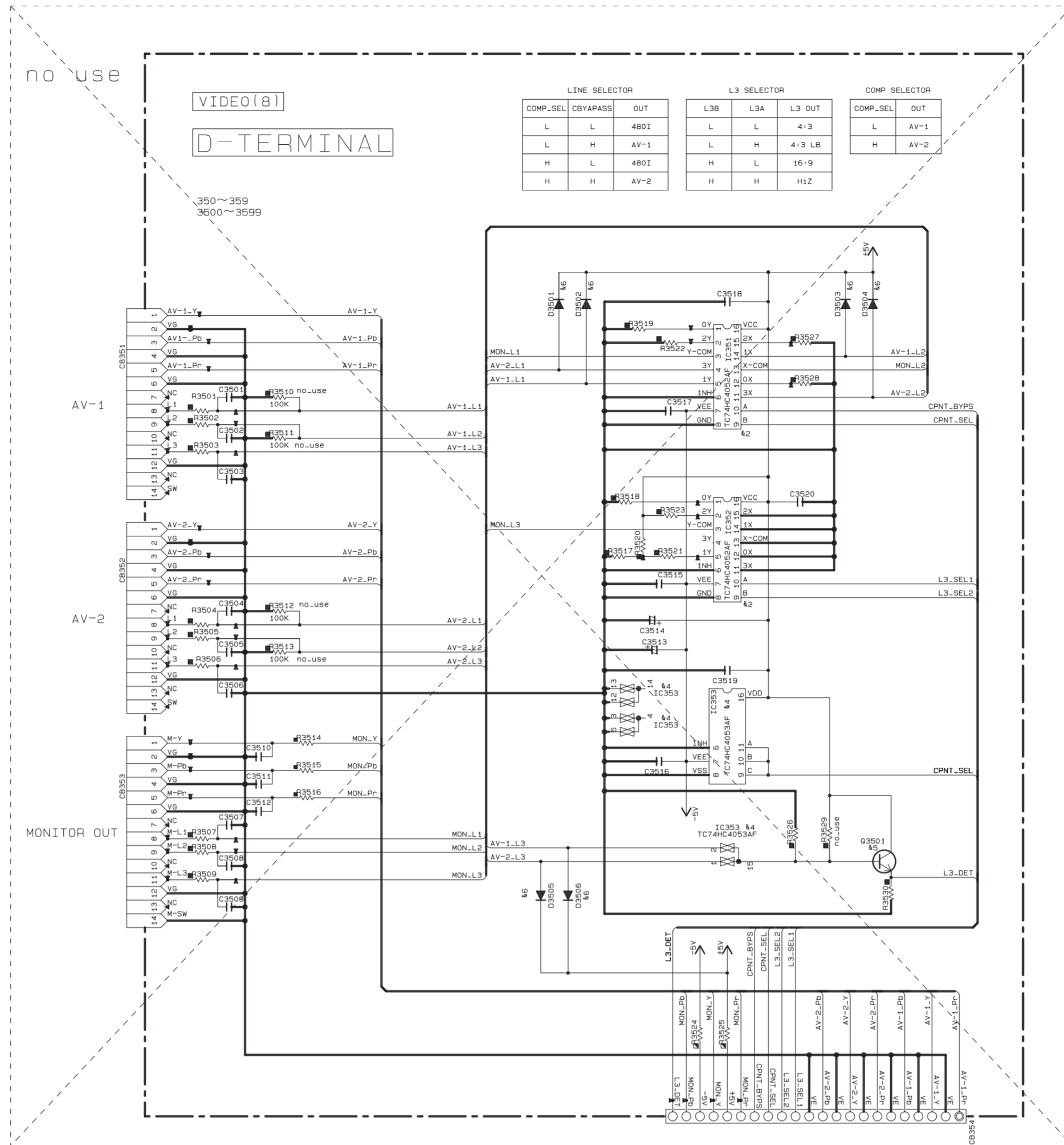


VIDEO (9) B, G, F models



VIDEO (7) U, C, T, K, A, B, G, F models

Page 116 [J6] to MAIN (4)_W126A, W126B (R, L models)



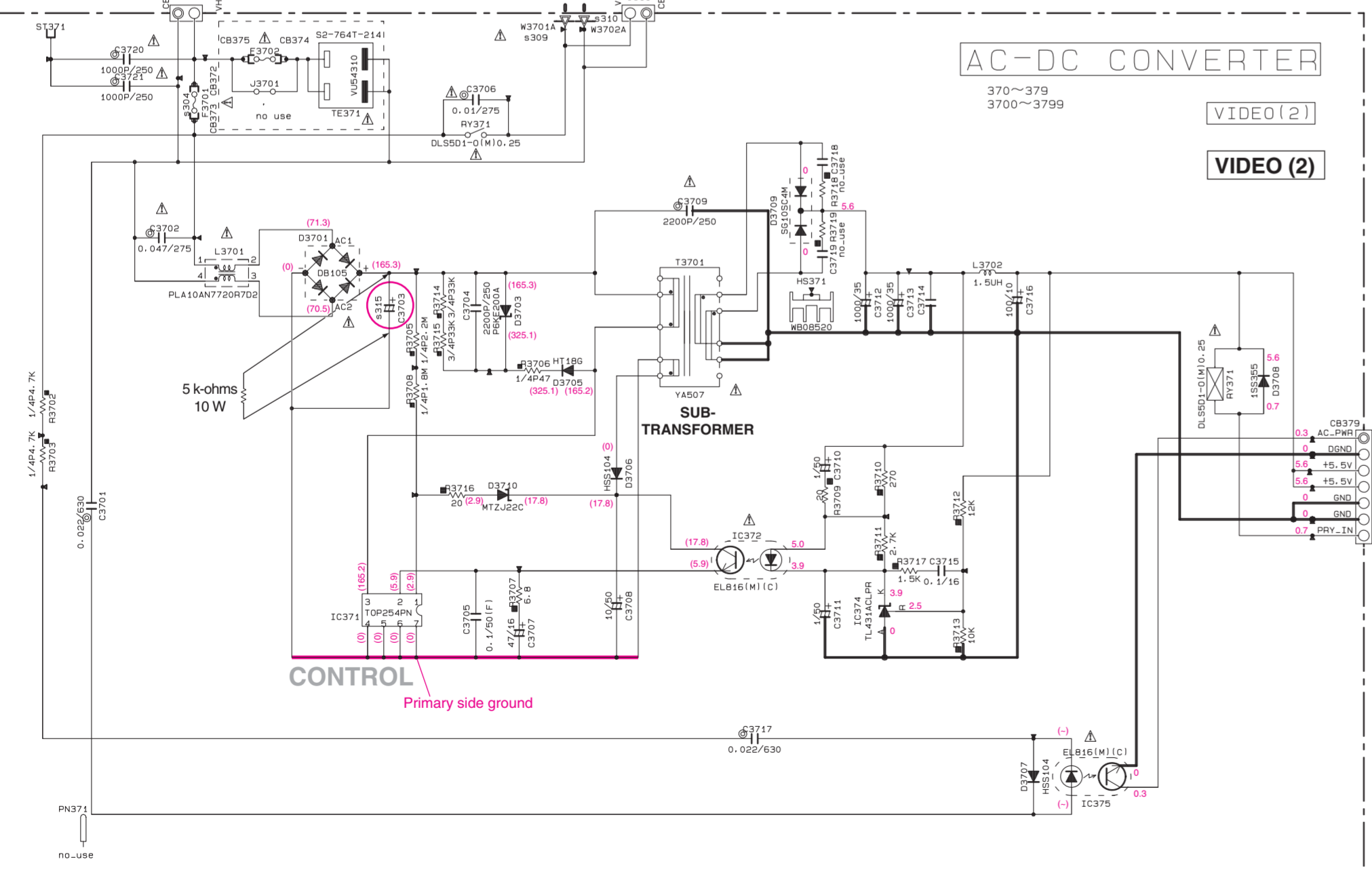
LINE SELECTOR			L3 SELECTOR			COMP. SELECTOR	
COMP_SEL	CBYPASS	OUT	L3B	L3A	L3 OUT	COMP_SEL	OUT
L	L	4B01	L	L	4+3	L	AV-1
L	H	AV-1	L	H	4+3 LB	H	AV-2
H	L	4B01	H	L	16+9		
H	H	AV-2	H	H	HIZ		

Part No.	LOC	U	C	R	T	K	A	BGF	L
3304	F3701	WD21110	WD21110	WD7650	WD9310	WD9310	WD9310	WD9310	WD9310
3304	F3701	B-00A25V	B-00A25V	T6-00A25V	T6-00A25V	T6-00A25V	T6-00A25V	T6-00A25V	T6-00A25V
3304	F3701B	MH06620	MH06620	X	MH06620	MH06620	MH06620	MH06620	MH06620
3310	K3702	MH06620	MH06620	X	MH06620	MH06620	MH06620	MH06620	MH06620
3311	CB178	X	X	V87990	V87990	V87990	V87990	V87990	V87990
3315	C3703	WR08200	WR08200	WR08200	WR08200	WR08200	WR08200	WR08200	WR08200
3321	R3809	RD39512	RD39512	RD39512	RD39512	RD39512	RD39512	RD39512	RD39512
3341	CB391	X	X	X	X	X	X	X	X
3342	IC391	X	X	X	X	X	X	X	X
3343	R3901	X	X	X	X	X	X	X	X
3344	R3902	X	X	X	X	X	X	X	X
3345	R3903	X	X	X	X	X	X	X	X
3346	IC391	X	X	X	X	X	X	X	X
3347	R3904	X	X	X	X	X	X	X	X
3348	R3905	X	X	X	X	X	X	X	X
3349	R3906	X	X	X	X	X	X	X	X
3350	C3903	X	X	X	X	X	X	X	X
3351	R3908	X	X	X	X	X	X	X	X
3352	R3910	X	X	X	X	X	X	X	X
3353	C3906	X	X	X	X	X	X	X	X
3354	C3904	X	X	X	X	X	X	X	X
3355	C3907	X	X	X	X	X	X	X	X
3356	D3902	X	X	X	X	X	X	X	X
3357	C3905	X	X	X	X	X	X	X	X
3358	R3907	X	X	X	X	X	X	X	X
3359	R3908	X	X	X	X	X	X	X	X

REMARKS	PARTS NAME	REMARKS	PARTS NAME
NO MARK	CARBON FILM RESISTOR (D=5)	NO MARK	ELECTROLYTIC CAPACITOR
Δ	CARBON FILM RESISTOR (D=10)	Δ	TANTALUM CAPACITOR
△	METAL OXIDE FILM RESISTOR	○	CERAMIC TUBULAR CAPACITOR
□	METAL FILM RESISTOR	○	POLYESTER FILM CAPACITOR
◇	METAL PLATE RESISTOR	○	POLYSTYRENE FILM CAPACITOR
◇	FINE PROOF CARBON FILM RESISTOR	○	MICA CAPACITOR
□	CEMENT MOLDED RESISTOR	○	POLYPROPYLENE FILM CAPACITOR
◇	SEMI VARIABLE RESISTOR	○	SEMICONDUCTIVE CERAMIC CAPACITOR
■	CHIP RESISTOR		

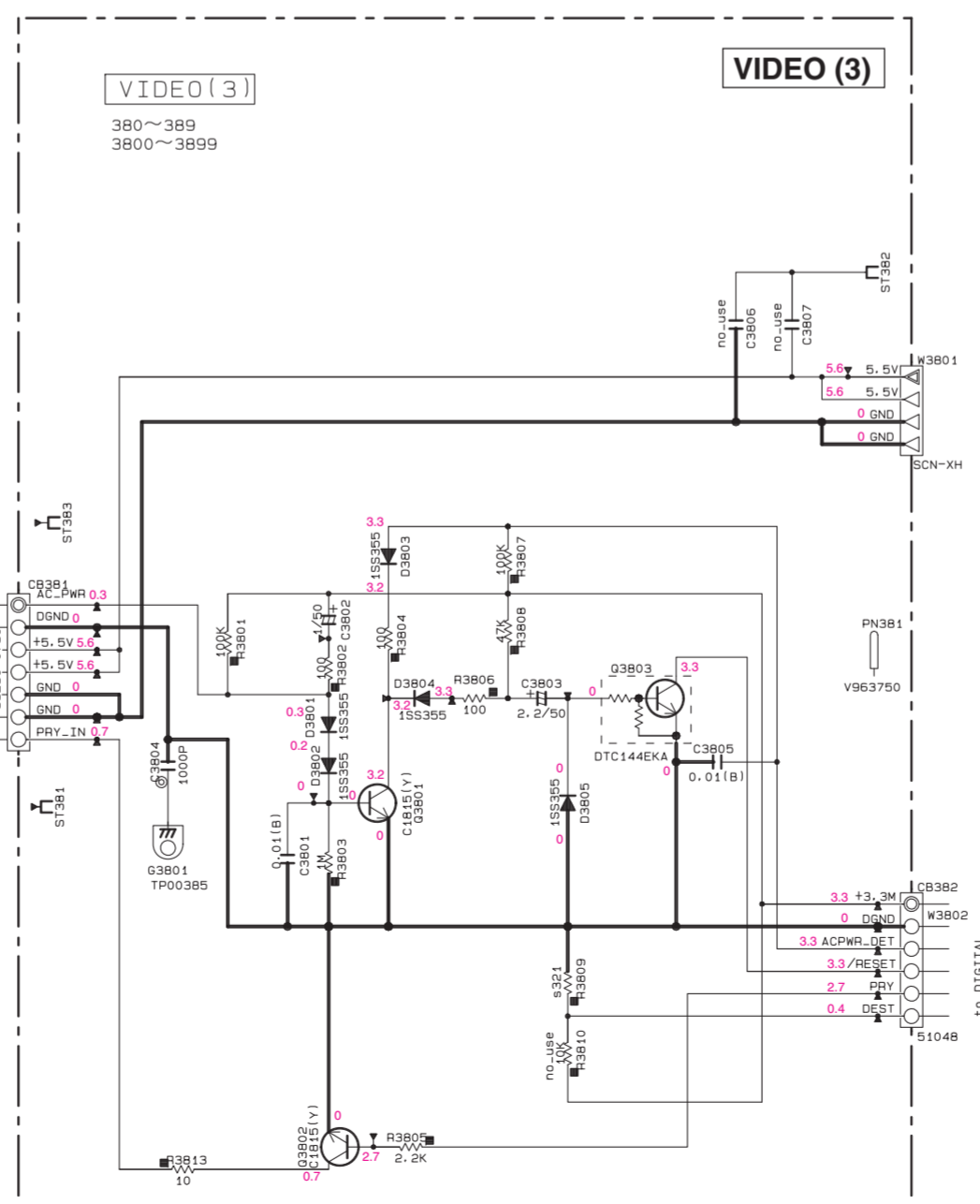
NOTICE (model)

(J)..... JAPAN
 (U)..... U.S.A
 (C)..... CANADA
 (R)..... GENERAL
 (T)..... CHINA
 (K)..... KOREA
 (A)..... AUSTRALIA
 (B)..... BRITISH
 (E)..... EUROPE
 (L)..... SINGAPORE
 (E)..... SOUTH EUROPE
 (V)..... TAIWAN
 (F)..... RUSSIAN
 (P)..... LATIN AMERICA



AC-DC CONVERTER 370~379 3700~3799

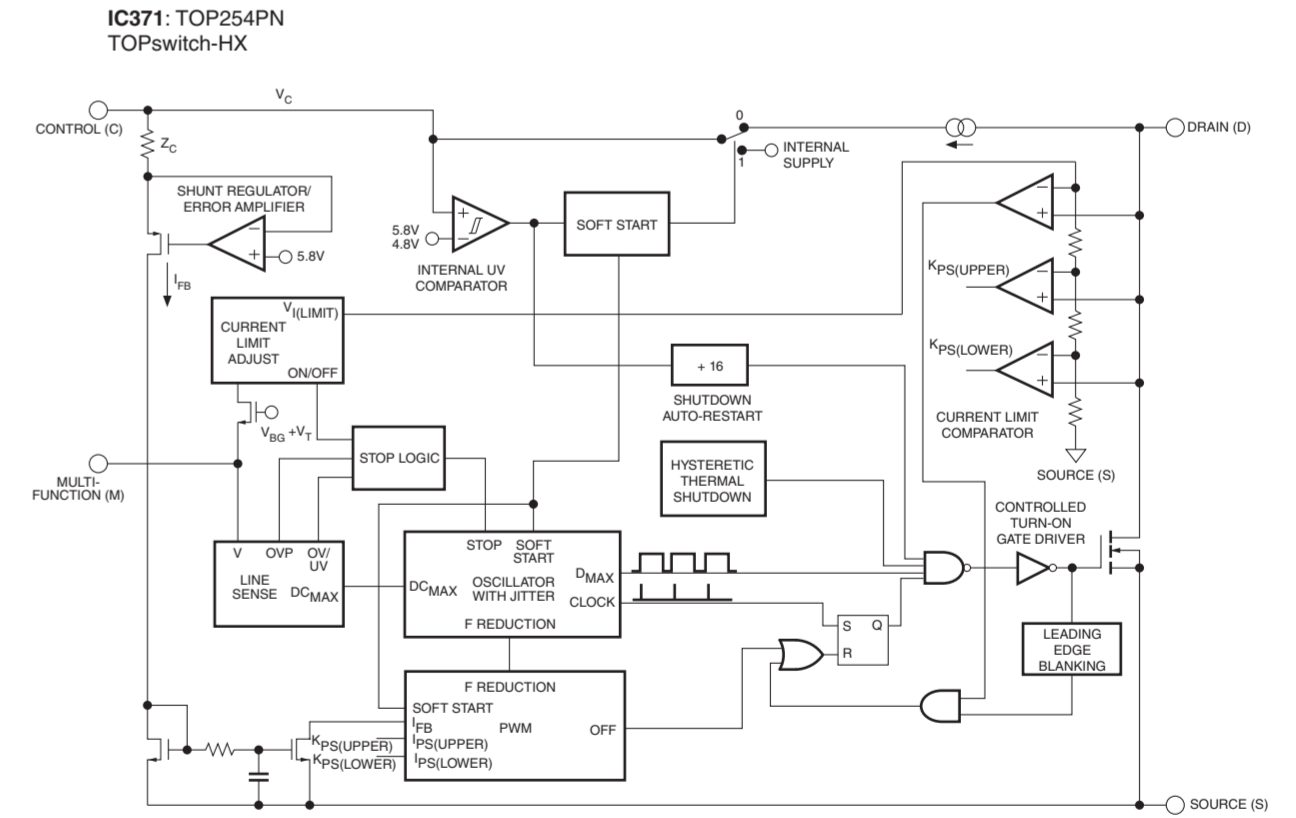
VIDEO (2) VIDEO (2)



VIDEO (3) 380~389 3800~3899

Page 110 [L9] to DIGITAL (1)_CB73

Page 112 [H9] to DIGITAL (1)_CB906



IC374: TL431ACLPR Adjustable precision shunt regulators

IC391: TC74VHC04FT Hex inverters

Safety measures

- Some internal parts in this product contain high voltages and are dangerous. Be sure to take safety measures during servicing, such as wearing insulating gloves.
- Note that positions indicated below are dangerous even after the power is turned off because an electric charge remains and a high voltage continues to exist there.
- Before starting any repair work, perform discharge by connecting a discharge resistor (5k-ohms/10W) between terminals at following positions. The time required for discharging is about 30 seconds.
- C3703 on VIDEO (2) P.C.B.

- All voltages are measured with a 10MΩ/V DC electronic voltmeter.
- Components having special characteristics are marked Δ, and must be replaced with parts having specifications equal to those originally installed.
- Schematic diagram is subject to change without notice.

■ REPLACEMENT PARTS LIST

• ELECTRICAL COMPONENT PARTS

WARNING

- Components having special characteristics are marked Δ and must be replaced with parts having specifications equal to those originally installed.

ABBREVIATIONS IN THIS LIST ARE AS FOLLOWS:

C.A.EL.CHP	: CHIP ALUMI.ELECTROLYTIC CAP	JUMPER.TST	: JUMPER,TEST POINT
C.CE	: CERAMIC CAP	L.DTCT	: LIGHT DETECTING MODULE
C.CE.ARRAY	: CERAMIC CAP ARRAY	LED.CHP	: CHIP LED
C.CE.CHP	: CHIP CERAMIC CAP	LED.DSPLY	: LED DISPLAY
C.CE.M.CHP	: CHIP MULTILAYER CERAMIC CAP	LED.INFRD	: LED,INFRARED
C.CE.SAFETY	: RECOGNIZED CERAMIC CAP	PHOT.CPL	: PHOTO COUPLER
C.CE.TUBLR	: CERAMIC TUBULAR CAP	PHOT.INTR	: PHOTO INTERRUPTER
C.CE.SMI	: SEMI CONDUCTIVE CERAMIC CAP	PHOT.RFLCT	: PHOTO REFLECTOR
C.EL	: ELECTROLYTIC CAP	PHOT.TR	: PHOTO TRANSISTOR
C.EL.BP	: BIPOLAR ELECTROLYTIC CAP	PIN.TEST	: PIN,TEST POINT
C.EL.CHP	: CHIP ELECTROLYTIC CAP	R.ARRAY	: RESISTOR ARRAY
C.MICA	: MICA CAP	R.CAR.	: CARBON RESISTOR
C.ML.FLM	: MULTILAYER FILM CAP	R.CAR.CHP	: CHIP RESISTOR
C.MP	: METALLIZED POLYESTER FILM CAP	R.CAR.FP	: FLAME PROOF CARBON RESISTOR
C.MYLAR	: MYLAR FILM CAP	R.CEMENT	: CEMENT RESISTOR
C.MYLAR.ML	: MULTILAYER MYLAR FILM CAP	R.FUS	: FUSIBLE RESISTOR
C.NIOB.OXD	: NIOBIUM OXIDE CAP	R.MTL.CHP	: CHIP METAL FILM RESISTOR
C.PAPER	: PAPER CAPACITOR	R.MTL.FLM	: METAL FILM RESISTOR
C.PLS	: POLYSTYRENE FILM CAP	R.MTL.OXD	: METAL OXIDE FILM RESISTOR
C.POL	: POLYESTER FILM CAP	R.MTL.PLAT	: METAL PLATE RESISTOR
C.PP	: POLYPROPYLENE FILM CAP	RSNR.CE	: CERAMIC RESONATOR
C.PP.CHP	: CHIP POLYPROPYLENE FILM CAP	RSNR.CRYS	: CRYSTAL RESONATOR
C.TNTL	: TANTALIUM CAP	SCR.BND.HD	: BIND HEAD B-TIGHT SCREW
C.TNTL.CHP	: CHIP TANTALIUM CAP	SCR.TERM	: SCREW TERMINAL
C.TRIM	: TRIMMER CAP	SCR.TR	: SCREW,TRANSISTOR
CN	: CONNECTOR	SURG.PRTCT	: SURGE PROTECTOR
CN.BS.PIN	: CONNECTOR,BASE PIN	SUPRT.PCB	: P.C.B. SUPPORT
CN.CANNON	: CONNECTOR,CANNON	SW.LEVER	: LEVER SWITCH
CN.DIN	: CONNECTOR,DIN	SW.MICRO	: MICRO SWITCH
CN.FLAT	: CONNECTOR,FLAT CABLE	SW.LEAF	: LEAF SWITCH
CN.FFC	: CONNECTOR,FLEXIBLE FLAT CABLE	SW.PUSH	: PUSH SWITCH
CN.HDMI	: HDMI CONNECTOR	SW.RT	: ROTARY SWITCH
CN.PHOTO.R	: PHOTO FIBER SENSOR,RECEIVED	SW.RT.ENC	: ROTARY ENCODER
CN.PHOTO.T	: PHOTO FIBER SENSOR,TRANSMITTED	SW.RT.MTR	: ROTARY SWITCH WITH MOTOR
DIODE.ARRAY	: DIODE ARRAY	SW.SLIDE	: SLIDE SWITCH
DIODE.BRG	: DIODE BRIDGE	SW.TACT	: TACT SWITCH
DIODE.CHP	: CHIP DIODE	TERM.SP	: SPEAKER TERMINAL
DIODE.VAR	: VARACTOR DIODE	TERM.WRAP	: WRAPPING TERMINAL
DIODE.ZENR	: ZENER DIODE	THRMST.CHP	: CHIP THERMISTOR
DIODE.Z.CHP	: CHIP ZENER DIODE	TR	: TRANSISTOR
DIODE.SCHOTTKY	: SCHOTTKY BARRIER DIODE	TR.CHP	: CHIP TRANSISTOR
DIODE.PHOT	: PHOTO DIODE	TR.DGT	: DIGITAL TRANSISTOR
FER.BEAD	: FERRITE BEADS	TR.DGT.CHP	: CHIP DIGITAL TRANSISTOR
FER.CORE	: FERRITE CORE	TR.PAIR	: PAIR TRANSISTOR
FET.CHP	: CHIP FET	TRANS	: TRANSFORMER
FL.DSPLY	: FLUORESCENT DISPLAY	TRANS.PULS	: PULSE TRANSFORMER
FLTR.CE	: CERAMIC FILTER	TRANS.PWR	: POWER TRANSFORMER
FLTR.COMB	: COMB FILTER MODULE	VOLT.SELCT	: VOLTAGE SELECTOR
FLTR.LC.RF	: LC FILTER,EMI	VR	: ROTARY POTENTIOMETER
FUSE.CHP	: CHIP FUSE	VR.MTR	: POTENTIOMETER WITH MOTOR
GND.MTL	: GROUND PLATE	VR.SLIDE	: SLIDE POTENTIOMETER
GND.TERM	: GROUND TERMINAL	VR.SW	: POTENTIOMETER WITH SWITCH
JUMPER.CN	: JUMPER CONNECTOR	VR.TRIM	: TRIMMER POTENTIOMETER

P.C.B. DIGITAL

RX-V667/HTR-6063/
RX-A700

Ref No.	Part No.	Description	Markets
*	WU432000	P. C. B.	DIGITAL U (V667)
*	WU933100	P. C. B.	DIGITAL U (A700)
*	WU432100	P. C. B.	DIGITAL CTKAL
*	WU432200	P. C. B.	DIGITAL R
*	WU432300	P. C. B.	DIGITAL BGF
* CB1-5	WU167400	CN. HDMI	HDMI 19P SE
* CB8	WD295600	CN. BS. PIN	20P SE
CB31	VQ044100	CN. BS. PIN	5P BGF
CB34	VF982200	CN. BS. PIN	14P
* CB71	WU167400	CN. HDMI	HDMI 19P SE
CB73	LB919040	CN. BS. PIN	4P
CB901	VB390000	CN. BS. PIN	4P (A700)
* CB93	WU167400	CN. HDMI	HDMI 19P SE
CB94	VY939800	CN. BS. PIN	20P TE
CB904	VQ045200	CN. BS. PIN	22P
CB906	VK026500	CN. BS. PIN	6P
CB907	VK025600	CN. BS. PIN	12P
CB911	VK024700	CN. BS. PIN	3P
CB913	VB389800	CN. BS. PIN	2P
CB914	VP082900	CN. BS. PIN	25P
CB915	VG518300	PIN. BASE	2P RF TE
CB916	VQ047200	CN. BS. PIN	9P
CB917-918	V9356900	CN. JE	19P SE
CB920	V9356900	CN. JE	19P SE
* CB981	WT567000	SOCKET. RS-232C	RS-232C 8LAM009P-306A (A700)
C1	US135100	C. CE. CHP	0.1uF 16V
C2	WG888300	C. CE. M. CHP	10uF 6.3V
C3-5	US064100	C. CE. CHP	0.01uF 50V B
C6	US063100	C. CE. CHP	1000pF 50V B
C7-9	US135100	C. CE. CHP	0.1uF 16V
C10	US064100	C. CE. CHP	0.01uF 50V B
C11	UF438100	C. EL. CHP	100uF 16V
C12-13	US064100	C. CE. CHP	0.01uF 50V B
C14	US135100	C. CE. CHP	0.1uF 16V
C15-17	US064100	C. CE. CHP	0.01uF 50V B
C18-19	US135100	C. CE. CHP	0.1uF 16V
C20-23	US064100	C. CE. CHP	0.01uF 50V B
C24-27	US135100	C. CE. CHP	0.1uF 16V
C28-29	WG888300	C. CE. M. CHP	10uF 6.3V
C30-32	US135100	C. CE. CHP	0.1uF 16V
C33	WG888300	C. CE. M. CHP	10uF 6.3V
C34-35	US135100	C. CE. CHP	0.1uF 16V
C36	WG888300	C. CE. M. CHP	10uF 6.3V
C37-38	US135100	C. CE. CHP	0.1uF 16V
C39	US063100	C. CE. CHP	1000pF 50V B
C40-43	US135100	C. CE. CHP	0.1uF 16V
C44	US063100	C. CE. CHP	1000pF 50V B
C45-52	US064100	C. CE. CHP	0.01uF 50V B
C53-54	US063100	C. CE. CHP	1000pF 50V B
C55-56	US064100	C. CE. CHP	0.01uF 50V B
C57	US062470	C. CE. CHP	470pF 50V B
C58	US135100	C. CE. CHP	0.1uF 16V
C59	WG888300	C. CE. M. CHP	10uF 6.3V
C60-61	US135100	C. CE. CHP	0.1uF 16V
C62	US063100	C. CE. CHP	1000pF 50V B
C63-64	US135100	C. CE. CHP	0.1uF 16V
C65	WD758300	C. CE. CHP	10uF 10V

* New Parts

Ref No.	Part No.	Description	Markets
C66	US063100	C. CE. CHP	1000pF 50V B
C68	WD758300	C. CE. CHP	10uF 10V
C70-72	US063100	C. CE. CHP	1000pF 50V B
C73-75	US135100	C. CE. CHP	0.1uF 16V
C76-77	WG888300	C. CE. M. CHP	10uF 6.3V
C78	US135100	C. CE. CHP	0.1uF 16V
C79	US063100	C. CE. CHP	1000pF 50V B
C80-83	US135100	C. CE. CHP	0.1uF 16V
C84-96	US064100	C. CE. CHP	0.01uF 50V B
C97-101	US135100	C. CE. CHP	0.1uF 16V
C103	US135100	C. CE. CHP	0.1uF 16V
C104	US063100	C. CE. CHP	1000pF 50V B
C105	US135100	C. CE. CHP	0.1uF 16V
C106	WG888300	C. CE. M. CHP	10uF 6.3V
C107	US135100	C. CE. CHP	0.1uF 16V
C109	US135100	C. CE. CHP	0.1uF 16V
C110	WG888300	C. CE. M. CHP	10uF 6.3V
C112	US135100	C. CE. CHP	0.1uF 16V
C113	UF417220	C. EL. CHP	22uF 6.3V
C114	US063100	C. CE. CHP	1000pF 50V B
C116-117	US063100	C. CE. CHP	1000pF 50V B
C119	US063100	C. CE. CHP	1000pF 50V B
C120	US062470	C. CE. CHP	470pF 50V B
C121-122	US062100	C. CE. CHP	100pF 50V B
C301-303	US135100	C. CE. CHP	0.1uF 16V
C304-305	WD758300	C. CE. CHP	10uF 10V
C306	US063100	C. CE. CHP	1000pF 50V B
C307-308	US135100	C. CE. CHP	0.1uF 16V
C309-310	WD758300	C. CE. CHP	10uF 10V
C311-312	US135100	C. CE. CHP	0.1uF 16V
C313-314	US064100	C. CE. CHP	0.01uF 50V B
C315	UF037220	C. EL. CHP	22uF 16V
C316-318	US135100	C. CE. CHP	0.1uF 16V
C319	US034390	C. CE. CHP	0.039uF 16V B
C320-322	US135100	C. CE. CHP	0.1uF 16V
C323-324	US063100	C. CE. CHP	1000pF 50V B
C325-326	US135100	C. CE. CHP	0.1uF 16V
C327	US064100	C. CE. CHP	0.01uF 50V B
C328	US135100	C. CE. CHP	0.1uF 16V
C329	US064100	C. CE. CHP	0.01uF 50V B
C330	US135100	C. CE. CHP	0.1uF 16V
C331	VZ243400	C. CE. CHP	0.33uF 16V
C332	VZ281900	C. CE. CHP	0.47uF 16V K
C333	US034820	C. CE. CHP	0.082uF 16V K
C334	US064100	C. CE. CHP	0.01uF 50V B
C335	US135100	C. CE. CHP	0.1uF 16V
C336	US061100	C. CE. CHP	10pF 50V B
C338	US060800	C. CE. CHP	8pF 50V B
C339-341	US135100	C. CE. CHP	0.1uF 16V
C342	US064100	C. CE. CHP	0.01uF 50V B
C343-345	US135100	C. CE. CHP	0.1uF 16V
C346	US046100	C. CE. CHP	1uF 25V
C347	US135100	C. CE. CHP	0.1uF 16V
C348	US046100	C. CE. CHP	1uF 25V
C349-350	US135100	C. CE. CHP	0.1uF 16V
C351	WG251600	C. CE. CHP	4.7uF 6.3V
* C352	WP092800	C. EL. CHP	22uF 16V

* New Parts

P.C.B. DIGITAL

Ref No.	Part No.	Description	Markets
C353	WG251600	C. CE. CHP	4. 7uF 6. 3V
C354-356	US135100	C. CE. CHP	0. 1uF 16V
* C357	WP092800	C. EL. CHP	22uF 16V
C358-359	US063100	C. CE. CHP	1000pF 50V B
C360	US135100	C. CE. CHP	0. 1uF 16V
C361	US063100	C. CE. CHP	1000pF 50V B
C362	UF037220	C. EL. CHP	22uF 16V
C363-367	US135100	C. CE. CHP	0. 1uF 16V
C368	US062100	C. CE. CHP	100pF 50V B
C369	US135100	C. CE. CHP	0. 1uF 16V
C370-371	US064100	C. CE. CHP	0. 01uF 50V B
C372	US135100	C. CE. CHP	0. 1uF 16V
C373-377	US064100	C. CE. CHP	0. 01uF 50V B
C378	US135100	C. CE. CHP	0. 1uF 16V
C379	US064100	C. CE. CHP	0. 01uF 50V B
C381-382	US063100	C. CE. CHP	1000pF 50V B
C601-615	US135100	C. CE. CHP	0. 1uF 16V
C616	US163100	C. CE. CHP	1000pF 50V
C617	US135100	C. CE. CHP	0. 1uF 16V
C618	US163100	C. CE. CHP	1000pF 50V
C619	US135100	C. CE. CHP	0. 1uF 16V
C620	UF438100	C. EL. CHP	100uF 16V
C621-622	UF417220	C. EL. CHP	22uF 6. 3V
C623-624	US135100	C. CE. CHP	0. 1uF 16V
C625-626	US063100	C. CE. CHP	1000pF 50V B
C627-629	US135100	C. CE. CHP	0. 1uF 16V
C630	WG888300	C. CE. M. CHP	10uF 6. 3V
C631-637	US135100	C. CE. CHP	0. 1uF 16V
C638	WG888300	C. CE. M. CHP	10uF 6. 3V
C639	UF438100	C. EL. CHP	100uF 16V
C640	WG888300	C. CE. M. CHP	10uF 6. 3V
C641-648	US135100	C. CE. CHP	0. 1uF 16V
C649-650	WG888300	C. CE. M. CHP	10uF 6. 3V
C651-655	US163100	C. CE. CHP	1000pF 50V
C701	WD758300	C. CE. CHP	10uF 10V
C702	US064100	C. CE. CHP	0. 01uF 50V B
C703	US135100	C. CE. CHP	0. 1uF 16V
C704	US064100	C. CE. CHP	0. 01uF 50V B
C705	US135100	C. CE. CHP	0. 1uF 16V
C706-707	US064100	C. CE. CHP	0. 01uF 50V B
C708-709	WD758300	C. CE. CHP	10uF 10V
C710-711	US135100	C. CE. CHP	0. 1uF 16V
C712	WD758300	C. CE. CHP	10uF 10V
C713	US135100	C. CE. CHP	0. 1uF 16V
C714-718	US064100	C. CE. CHP	0. 01uF 50V B
C719	US135100	C. CE. CHP	0. 1uF 16V
C720-722	US064100	C. CE. CHP	0. 01uF 50V B
C723-724	US135100	C. CE. CHP	0. 1uF 16V
C725	WD758300	C. CE. CHP	10uF 10V
C726	US064100	C. CE. CHP	0. 01uF 50V B
C727	WD758300	C. CE. CHP	10uF 10V
C728	US064100	C. CE. CHP	0. 01uF 50V B
C729	US135100	C. CE. CHP	0. 1uF 16V
C730-731	US046100	C. CE. CHP	1uF 25V
C732	WP882000	C. CE. CHP	10uF 6. 3V
C733	US062470	C. CE. CHP	470pF 50V B
C734	US061270	C. CE. CHP	27pF 50V B

* New Parts

Ref No.	Part No.	Description	Markets
C735	WD758200	C. CE. CHP	47uF 6. 3V
C736	WQ614300	C. CE. CHP	22uF 10VE
C737	US135100	C. CE. CHP	0. 1uF 16V
C738	US061220	C. CE. CHP	22pF 50V B
* C739	US034270	C. CE. CHP	0. 027uF 16V
C740	US135100	C. CE. CHP	0. 1uF 16V
C744	WQ614300	C. CE. CHP	22uF 10VE
C746	US046100	C. CE. CHP	1uF 25V
C760	WG251600	C. CE. CHP	4. 7uF 6. 3V
C763	WG251600	C. CE. CHP	4. 7uF 6. 3V
C768	WP882000	C. CE. CHP	10uF 6. 3V
C769	US061270	C. CE. CHP	27pF 50V B
C770	WD758200	C. CE. CHP	47uF 6. 3V
* C780	US034270	C. CE. CHP	0. 027uF 16V
C782	WQ614300	C. CE. CHP	22uF 10VE
C787-789	US135100	C. CE. CHP	0. 1uF 16V
C790	WH772100	C. EL	1000uF 10V
C791	US135100	C. CE. CHP	0. 1uF 16V
C792	WG888300	C. CE. M. CHP	10uF 6. 3V
C793	WD758300	C. CE. CHP	10uF 10V
C794-799	US063100	C. CE. CHP	1000pF 50V B
C806-807	US063100	C. CE. CHP	1000pF 50V B
C809	WG888300	C. CE. M. CHP	10uF 6. 3V
C810	WD758300	C. CE. CHP	10uF 10V
C900	US062220	C. CE. CHP	220pF 50V B
C901	US063100	C. CE. CHP	1000pF 50V B
C902	US062220	C. CE. CHP	220pF 50V B
C903	US063100	C. CE. CHP	1000pF 50V B
C904	US062470	C. CE. CHP	470pF 50V B
C905	US135100	C. CE. CHP	0. 1uF 16V
C906	US064100	C. CE. CHP	0. 01uF 50V B
C921	US135100	C. CE. CHP	0. 1uF 16V
C922	US064100	C. CE. CHP	0. 01uF 50V B
C923	WG888300	C. CE. M. CHP	10uF 6. 3V
C924	US135100	C. CE. CHP	0. 1uF 16V
C925-930	US064100	C. CE. CHP	0. 01uF 50V B
C931	US135100	C. CE. CHP	0. 1uF 16V
C932	WG888300	C. CE. M. CHP	10uF 6. 3V
C933	US135100	C. CE. CHP	0. 1uF 16V
C936	WQ614300	C. CE. CHP	22uF 10VE
C937	US135100	C. CE. CHP	0. 1uF 16V
C938	WG888300	C. CE. M. CHP	10uF 6. 3V
C941	US163100	C. CE. CHP	1000pF 50V
C1001-1022	US135100	C. CE. CHP	0. 1uF 16V
C1101-1104	US135100	C. CE. CHP	0. 1uF 16V
C9001-9003	US135100	C. CE. CHP	0. 1uF 16V
C9004	UF027330	C. EL. CHP	33uF 10V
C9005-9006	US135100	C. CE. CHP	0. 1uF 16V
C9007	US046100	C. CE. CHP	1uF 25V
C9008-9009	US063100	C. CE. CHP	1000pF 50V B
C9010	WG251600	C. CE. CHP	4. 7uF 6. 3V
C9011	US063100	C. CE. CHP	1000pF 50V B
C9012	US135100	C. CE. CHP	0. 1uF 16V
C9013	US063100	C. CE. CHP	1000pF 50V B
C9014	US046100	C. CE. CHP	1uF 25V
C9015-9016	US063100	C. CE. CHP	1000pF 50V B
C9017	US046100	C. CE. CHP	1uF 25V

* New Parts

RX-V667/HTR-6063/
RX-A700

P.C.B. DIGITAL

RX-V667/HTR-6063/
RX-A700

Ref No.	Part No.	Description	Markets
C9018	US135100	C. CE. CHP 0. 1uF 16V	
C9019	WG251600	C. CE. CHP 4. 7uF 6. 3V	
C9020	US135100	C. CE. CHP 0. 1uF 16V	
C9021	UF417470	C. EL. CHP 47uF 6. 3V	
C9022	US135100	C. CE. CHP 0. 1uF 16V	
C9023	WG251600	C. CE. CHP 4. 7uF 6. 3V	
C9024-9030	US135100	C. CE. CHP 0. 1uF 16V	
C9031	US063100	C. CE. CHP 1000pF 50V B	
C9032	US135100	C. CE. CHP 0. 1uF 16V	
C9033-9039	US046100	C. CE. CHP 1uF 25V	
C9040-9041	US135100	C. CE. CHP 0. 1uF 16V	
C9042	US063100	C. CE. CHP 1000pF 50V B	
C9043	US046100	C. CE. CHP 1uF 25V	
C9044-9045	US063100	C. CE. CHP 1000pF 50V B	
C9046	US062100	C. CE. CHP 100pF 50V B	
C9047	US063100	C. CE. CHP 1000pF 50V B	
C9048	US062100	C. CE. CHP 100pF 50V B	
C9301-9302	US126100	C. CE. CHP 1uF 10V	
C9303-9304	US064100	C. CE. CHP 0. 01uF 50V B	
C9306	US126100	C. CE. CHP 1uF 10V	
C9307	US064100	C. CE. CHP 0. 01uF 50V B	
C9308	US135100	C. CE. CHP 0. 1uF 16V	
C9309	US126100	C. CE. CHP 1uF 10V	
C9310	US064100	C. CE. CHP 0. 01uF 50V B	
C9311	US063470	C. CE. CHP 4700pF 50V B	
C9312	UB214680	C. CE. CHP 0. 068uF 25V	
C9313	US035100	C. CE. CHP 0. 1uF 16V B	
C9315	WD758300	C. CE. CHP 10uF 10V	
C9317-9318	WD758300	C. CE. CHP 10uF 10V	
C9321	US062220	C. CE. CHP 220pF 50V B	
C9323-9324	US062220	C. CE. CHP 220pF 50V B	
C9325-9326	US062560	C. CE. CHP 560pF 50V B	
C9327-9328	US062220	C. CE. CHP 220pF 50V B	
C9329	US062100	C. CE. CHP 100pF 50V B	
C9330	WD758300	C. CE. CHP 10uF 10V	
C9331	WG888300	C. CE. M. CHP 10uF 6. 3V	
C9332	WD758300	C. CE. CHP 10uF 10V	
C9333	US126100	C. CE. CHP 1uF 10V	
C9334-9340	US135100	C. CE. CHP 0. 1uF 16V	
C9341	US064100	C. CE. CHP 0. 01uF 50V B	
C9342-9344	US135100	C. CE. CHP 0. 1uF 16V	
C9345	US046100	C. CE. CHP 1uF 25V	
C9346-9348	US135100	C. CE. CHP 0. 1uF 16V	
C9349	US046100	C. CE. CHP 1uF 25V	
C9350-9351	US135100	C. CE. CHP 0. 1uF 16V	
C9352	UF417470	C. EL. CHP 47uF 6. 3V	
C9353-9355	US135100	C. CE. CHP 0. 1uF 16V	
C9356	US046100	C. CE. CHP 1uF 25V	
C9357	US135100	C. CE. CHP 0. 1uF 16V	
C9358	US062680	C. CE. CHP 680pF 50V B	
C9359	US135100	C. CE. CHP 0. 1uF 16V	
C9360	US046100	C. CE. CHP 1uF 25V	
C9361-9362	US135100	C. CE. CHP 0. 1uF 16V	
C9363	WG888300	C. CE. M. CHP 10uF 6. 3V	
C9364-9370	US135100	C. CE. CHP 0. 1uF 16V	
C9371	WG888300	C. CE. M. CHP 10uF 6. 3V	
C9372-9373	US135100	C. CE. CHP 0. 1uF 16V	

* New Parts

Ref No.	Part No.	Description	Markets
C9374-9375	UF417220	C. EL. CHP 22uF 6. 3V	
C9376-9378	US135100	C. CE. CHP 0. 1uF 16V	
C9379-9381	US063100	C. CE. CHP 1000pF 50V B	
C9382-9383	US135100	C. CE. CHP 0. 1uF 16V	
C9384-9387	US063100	C. CE. CHP 1000pF 50V B	
C9388-9390	US135100	C. CE. CHP 0. 1uF 16V	
C9391	US046100	C. CE. CHP 1uF 25V	
C9392-9393	US135100	C. CE. CHP 0. 1uF 16V	
C9394	US046100	C. CE. CHP 1uF 25V	
C9395-9396	US063100	C. CE. CHP 1000pF 50V B	
C9398-9401	US062100	C. CE. CHP 100pF 50V B	
C9404	US135100	C. CE. CHP 0. 1uF 16V	
C9405-9407	US063100	C. CE. CHP 1000pF 50V B	
C9801-9806	US135100	C. CE. CHP 0. 1uF 16V	(A700)
C9807	WD758300	C. CE. CHP 10uF 10V	(A700)
D701-702	WE674800	DIODE AVRL161A1R1NTB	
D703	VV220700	DIODE. SCHOTTKY RB501V-40	
D914	WE674800	DIODE AVRL161A1R1NTB	
D915-922	WP385600	PESD PESD0603-240	
D923-925	WE674800	DIODE AVRL161A1R1NTB	
D9001	VT332900	DIODE 1SS355	
D9002	VV220700	DIODE. SCHOTTKY RB501V-40	
IC4	X7779A00	IC LC709004A-TLM-E	
* IC31	YC287A00	IC RP130Q181D-TR-F	
IC32	X9393A00	IC ADV7800BSTZ-80	
IC33	X8897A00	IC R1172S331B-E2-F	
IC36-40	XZ287A00	IC SN74LVC245APWR	
IC41	X6671A00	IC ADV7172KSTZ	
* IC62	X9745B00	IC. MEMORY M12L128168A-5TG2T	
IC63	X9292A00	IC R1172H121D-T1-F	
IC65	X8378A00	IC TC7SH125FU (TE85L, F)	
IC72	X7741A00	IC NJM2867F3-05 (TE1)	
IC76	X9292A00	IC R1172H121D-T1-F	
* IC79	YC289A00	IC RP130Q501D-TR	
IC80	XZ287A00	IC SN74LVC245APWR	
IC81	X0199B00	IC TC74VHC157FT (EL, K)	
IC82	X4063A00	IC TC7WHU04FU	
* IC83	YC286A00	IC RP130Q121D-TR-F	
IC84	XR680A00	IC TC7SH08FU (TE85L, JF)	
IC91	X8368A00	IC PCA9517DP	
* IC94	YC218A00	IC TMDS141 HDMI SW.	
* IC95	YC288A00	IC RP130Q331D-TR-F	
IC901-902	X5875A00	IC SN74LV4051APWR	
IC903	YA739A00	IC. MEMORY LE25LB2562M-TLM-E	
IC904-905	X7942B00	IC TC74VHC273FT (EL, K)	
* IC906-907	YC288A00	IC RP130Q331D-TR-F	
* IC909	YC577D00	IC. MEMORY MX29LV640EBT1-70G	(written)
IC910	XW633A00	IC TC7SH32FU	
IC911	XZ493A00	IC TC74VHC86FT (EL) EX	
IC912	X4453A00	IC SN74LVC1G17DCKR	
IC913	X3586B00	IC TC74VHCT08AFT EL, K	
IC914	XV891B00	IC TC74VHC08FT (EL, K)	
* IC915	YC289A00	IC RP130Q501D-TR	
* IC942	YC214A00	IC D1X9210PT (R)	
IC944	YA255A00	IC R1172H501D-T1-F	
* IC946	YC288A00	IC RP130Q331D-TR-F	
IC947	X0199B00	IC TC74VHC157FT (EL, K)	

* New Parts

P.C.B. DIGITAL and P.C.B. OPERATION

Ref No.	Part No.	Description	Markets
* IC948	YC289A00	IC	RP130Q501D-TR
IC949	X9292A00	IC	R1172H121D-T1-F
IC950	YA473A00	IC. MEMORY	V54C365164VE16
* IC951	YC576D00	IC. MEMORY	MX29LV160DBTI-70G (written)
IC952	X2891B00	IC	TC74VHC126FT (EL, K)
IC953-954	XR680A00	IC	TC7SH08FU (TE85L, JF)
* IC955	YC291A00	IC	R1172N501D-TR-F
* IC981	YC321A00	IC	TRS3221ECPWR (A700)
PN901-903	WS488500	STYLE. PIN	L=90 #18
Q3-12	VQ986700	TR	2SC4081 T106
Q301	WQ381000	FET	MCH6336-TL-E
Q302	VR936300	TR	2SA1576A T106
Q303	WE834500	FET	UPA672T-T1-A
Q701	VV655300	TR. DGT	DTA144EKA
Q702	VV655700	TR. DGT	DTC144EKA
Q903-904	VQ986700	TR	2SC4081 T106
Q9001	VR936300	TR	2SA1576A T106
Q9003	WC529500	TR	KTA1504S Y GR RTK
Q9004	WC529400	TR	KTC3875S Y GR RTK
Q9005	WC529500	TR	KTA1504S Y GR RTK
Q9006	WC529400	TR	KTC3875S Y GR RTK
Q9007	WC529500	TR	KTA1504S Y GR RTK
Q9008	WC529400	TR	KTC3875S Y GR RTK
Q9009	WC529500	TR	KTA1504S Y GR RTK
Q9010	WC529400	TR	KTC3875S Y GR RTK
Q9011	WC529500	TR	KTA1504S Y GR RTK
Q9012-9018	VR936300	TR	2SA1576A T106
Q9019	WC529400	TR	KTC3875S Y GR RTK
Q9020	VV655200	TR. DGT	DTA143EKA
Q9021	VV655700	TR. DGT	DTC144EKA
Q9301	WQ381000	FET	MCH6336-TL-E
Q9302	VV655300	TR. DGT	DTA144EKA
Q9303	VV655400	TR. DGT	DTC114EKA
Q9306	VV655300	TR. DGT	DTA144EKA
R764	WB784700	R. MTL. FLM	6. 8Ω 1W
ST901	V4040500	SCR. TERM	M3
XL31	VZ772700	RSNR. CRY	28. 63636MHz
XL61	WK841200	RESONATOR	27MHz DS0321SRAB
XL901	WA782500	RSNR. CE	8MHz
XL941	WH714200	RESONATOR	24. 576MHz DS0321SR
* WU427500	P. C. B.	OPERATION	U (V667)
* WU933400	P. C. B.	OPERATION	U (A700)
* WU427600	P. C. B.	OPERATION	C (V667)
* WU428000	P. C. B.	OPERATION	C (6063)
* WU427700	P. C. B.	OPERATION	RTKABGFL (V667)
* WU428100	P. C. B.	OPERATION	A (6063)
CB401	VQ045400	CN. BS. PIN	25P
CB402	VQ047200	CN. BS. PIN	9P
CB451	VQ961100	CN. BS. PIN	8P
CB452	VQ962100	CN. BS. PIN	18P
CB454	VQ961800	CN. BS. PIN	15P
CB455	VQ961400	CN. BS. PIN	11P
CB456	VQ963300	CN. BS. PIN	12P
CB457	VQ963100	CN. BS. PIN	10P

* New Parts

Ref No.	Part No.	Description	Markets
CB458	VQ044400	CN. BS. PIN	9P
CB459-461	V9357000	CN	19P TE
CB463	VQ585700	CN. JUMPER	7P
CB472	VB858300	CN. BS. PIN	4P
CB473	VK026900	CN	10P
C4002	US065100	C. CE. CHP	0. 1uF 50V B
C4012-4013	US135100	C. CE. CHP	0. 1uF 16V
C4015	UR268220	C. EL	220uF 50V
C4016	UM388330	C. EL	330uF 6. 3V
C4017	US135100	C. CE. CHP	0. 1uF 16V
C4018	US061680	C. CE. CHP	68pF 50V B
C4019	US065100	C. CE. CHP	0. 1uF 50V B
C4020-4021	US163100	C. CE. CHP	1000pF 50V
C4022	US064100	C. CE. CHP	0. 01uF 50V B
C4023-4024	US063100	C. CE. CHP	1000pF 50V B
C4025-4026	US065100	C. CE. CHP	0. 1uF 50V B
C4027	US135100	C. CE. CHP	0. 1uF 16V
C4028	US062100	C. CE. CHP	100pF 50V B
C4030	US062100	C. CE. CHP	100pF 50V B
C4031	US062470	C. CE. CHP	470pF 50V B
C4032-4033	US135100	C. CE. CHP	0. 1uF 16V
C4034	UM417100	C. EL	10uF 50V
C4035	US135100	C. CE. CHP	0. 1uF 16V
C4037	US064100	C. CE. CHP	0. 01uF 50V B
C4039	US062220	C. CE. CHP	220pF 50V B
C4091-4092	US135100	C. CE. CHP	0. 1uF 16V
C4093-4094	US062220	C. CE. CHP	220pF 50V B
C4201	US063100	C. CE. CHP	1000pF 50V B
C4202-4208	US062220	C. CE. CHP	220pF 50V B
C4209-4210	UR267100	C. EL	10uF 50V
C4211-4212	US062100	C. CE. CHP	100pF 50V B
C4214	US135100	C. CE. CHP	0. 1uF 16V
C4215-4216	US062100	C. CE. CHP	100pF 50V B
C4217	UR067100	C. EL	10uF 50V
C4218-4219	UR267100	C. EL	10uF 50V
C4222-4223	UR067470	C. EL	47uF 50V
C4224	US062100	C. CE. CHP	100pF 50V B
C4225	UR067100	C. EL	10uF 50V
C4226	WKO41800	C. EL	10uF 16V
C4227	UR067100	C. EL	10uF 50V
C4228	US135100	C. CE. CHP	0. 1uF 16V
C4229	WKO41800	C. EL	10uF 16V
C4230	WJ603500	C. MYLAR	680pF 50V
C4231	US135100	C. CE. CHP	0. 1uF 16V
C4232	UR067100	C. EL	10uF 50V
C4234	WKO41800	C. EL	10uF 16V
C4235	WJ603600	C. MYLAR	820pF 50V J
C4236	UR067100	C. EL	10uF 50V
C4238	WKO41800	C. EL	10uF 16V
C4239	US135100	C. CE. CHP	0. 1uF 16V
C4240	WJ603500	C. MYLAR	680pF 50V
C4241	US135100	C. CE. CHP	0. 1uF 16V
C4242	WKO41800	C. EL	10uF 16V
C4243	WJ603600	C. MYLAR	820pF 50V J
C4244-4246	UR067100	C. EL	10uF 50V
C4247	US062100	C. CE. CHP	100pF 50V B
C4248	US064100	C. CE. CHP	0. 01uF 50V B

* New Parts

RX-V667/HTR-6063/
RX-A700

P.C.B. OPERATION

RX-V667/HTR-6063/
RX-A700

Ref No.	Part No.	Description	Markets
C4249	US062100	C. CE. CHP 100pF 50V B	
C4250	UR067100	C. EL 10uF 50V	
C4251	WK041800	C. EL 10uF 16V	
* C4252	WV894900	C. EL 10uF 71V	
C4253	WJ603500	C. MYLAR 680pF 50V	
C4255	US062100	C. CE. CHP 100pF 50V B	
C4257	WJ605800	C. MYLAR 0.047uF 50V J	
C4258	UR267100	C. EL 10uF 50V	
C4259-4260	UR067100	C. EL 10uF 50V	
C4261	WJ604700	C. MYLAR 6800pF 50V	
C4262	US126100	C. CE. CHP 1uF 10V	
C4263	US062100	C. CE. CHP 100pF 50V B	
C4264	US126100	C. CE. CHP 1uF 10V	
C4265	UR067100	C. EL 10uF 50V	
C4266	UR237100	C. EL 10uF 16V	
C4267	US126100	C. CE. CHP 1uF 10V	
C4268	WJ603500	C. MYLAR 680pF 50V	
C4272	WJ603500	C. MYLAR 680pF 50V	
C4273	UR237100	C. EL 10uF 16V	
C4274	UR067100	C. EL 10uF 50V	
C4275	US062100	C. CE. CHP 100pF 50V B	
C4276	US063100	C. CE. CHP 1000pF 50V B	
C4277	US062100	C. CE. CHP 100pF 50V B	
C4278	US135100	C. CE. CHP 0.1uF 16V	
C4279	UR067100	C. EL 10uF 50V	
C4280	UR237100	C. EL 10uF 16V	
C4281	WJ603500	C. MYLAR 680pF 50V	
C4282	UR067470	C. EL 47uF 50V	
C4284	US135100	C. CE. CHP 0.1uF 16V	
C4285	UR067470	C. EL 47uF 50V	
C4287	WJ603500	C. MYLAR 680pF 50V	
C4288	WK041800	C. EL 10uF 16V	
C4289	UR237100	C. EL 10uF 16V	
C4290	UR067100	C. EL 10uF 50V	
C4291	US062100	C. CE. CHP 100pF 50V B	
C4292	US064100	C. CE. CHP 0.01uF 50V B	
C4293	UR267100	C. EL 10uF 50V	
C4294	WD758300	C. CE. CHP 10uF 10V	
C4295	US062100	C. CE. CHP 100pF 50V B	
C4296	US135100	C. CE. CHP 0.1uF 16V	
C4301-4302	UR237470	C. EL 47uF 16V	RTKABGFL
C4303-4304	WJ603700	C. MYLAR 1000pF 50V	RTKABGFL
C4305-4306	UR267100	C. EL 10uF 50V	RTKABGFL
C4307-4310	WJ605600	C. MYLAR 0.033uF 50V	RTKABGFL
C4311-4312	UR218220	C. EL 220uF 6.3V	RTKABGFL
C4313-4316	WJ603100	C. MYLAR 220pF 50V	RTKABGFL
C4317	US064100	C. CE. CHP 0.01uF 50V B	RTKABGFL
C4318-4321	WJ605000	C. MYLAR 0.01uF 50V J	
C4401-4402	US063100	C. CE. CHP 1000pF 50V B	
C4411-4412	WJ604300	C. MYLAR 3300pF 50V	
C4413	US064100	C. CE. CHP 0.01uF 50V B	
C4414	US063100	C. CE. CHP 1000pF 50V B	
C4421	US063100	C. CE. CHP 1000pF 50V B	
C4422	UM397100	C. EL 10uF 16V	
* C4423	WV360900	C. EL 22uF 16V	
C4424	US064100	C. CE. CHP 0.01uF 50V B	
C4425	US062100	C. CE. CHP 100pF 50V B	

*: New Parts

Ref No.	Part No.	Description	Markets
C4426	UM397470	C. EL 47uF 16V	
C4427	US061330	C. CE. CHP 33pF 50V B	
C4428	UM397100	C. EL 10uF 16V	
* C4430	WV360900	C. EL 22uF 16V	
* C4432	WV360900	C. EL 22uF 16V	
D4001-4002	VT332900	DIODE 1SS355	
D4006-4007	WS693300	DIODE. ZENR HZU4. 3B3 TRF-E	
D4010	VT332900	DIODE 1SS355	
D4011	V2598200	LED SIR-505ST	
D4012	VT332900	DIODE 1SS355	
D4091-4094	VT332900	DIODE 1SS355	
D4203-4205	VT332900	DIODE 1SS355	
D4301-4302	VV659300	DIODE. ZENR RLZ7. 5B 7.5V	RTKABGFL
D4303	VT332900	DIODE 1SS355	
D4401	WG760400	LED SELK6E10C BLUE	
D4411-4412	VT332900	DIODE 1SS355	
D4421-4422	VT332900	DIODE 1SS355	
D4423	VU171900	DIODE. ZENR UDZ5. 1B 5.1V	
D4424	WR095700	LED 8224-10SDRD/S530A3	
D4901-4903	VT332900	DIODE 1SS355	C
IC401	X6386A00	IC M66003-0131FP	
IC451-454	X5482A00	IC NE5532DR OP AMP	
IC455	X7357A00	IC PCM1803DBR	
* IC456	X9870A00	IC PCM1681PWPR	
IC457	XJ604A00	IC NJM78M05FA	
IC458	X7378A00	IC NJM4565M (TE1)	
IC459	XW939A00	IC TK15420M VIDEO AMP	
IC471	X7378A00	IC NJM4565M (TE1)	
JK451	VV269500	CN 8P DIN	U
JK471	V9408200	JACK. PHONE MSJ-064-05B GR	
JK472	WJ117300	JACK. PHONE PHONES	
PJ401	WJ117500	JACK. PIN 3P	
Q4001-4003	WC529400	TR KTC3875S Y GR RTK	
Q4004	VV655400	TR. DGT DTC114EKA	
Q4005	WC397700	TR 2N5401C-AT	
Q4006-4009	WC529400	TR KTC3875S Y GR RTK	
Q4012	WC529400	TR KTC3875S Y GR RTK	
Q4301	VV655400	TR. DGT DTC114EKA	
Q4302	VV655000	TR. DGT DTA114EKA	
Q4401-4402	WC529400	TR KTC3875S Y GR RTK	
R4066-4067	HV755120	R. CAR. FP 120Ω 1/4W	
R4200	RD350000	R. CHP 0Ω 1/16W J	(V667)
R4200	RD356220	R. CHP 2.2KΩ 1/16W J	(6063)
R4200	RD356100	R. CHP 1KΩ 1/16W J	(A700)
R4225	HV753220	R. CAR. FP 2.2Ω 1/4W	
R4229-4230	HV753220	R. CAR. FP 2.2Ω 1/4W	
R4293	WQ072300	R. MTL. OXD 2.2Ω 1W	
R4301-4302	HV755470	R. CAR. FP 470Ω 1/4W	RTKABGFL
R4320-4321	HV757100	R. CAR. FP 10KΩ 1/4W	
R4331-4332	HV753220	R. CAR. FP 2.2Ω 1/4W	
R4413-4414	V8071400	R. MTL. FLM 560Ω 1W	
RY461	WJ122400	RELAY 981-2A-24DS-SP7	
ST442	V4040500	SCR. TERM M3	
ST451	V4040500	SCR. TERM M3	CRTKABGFL
ST471	WA246200	SCR. TERM 3.5	
ST491	WA246200	SCR. TERM 3.5	C
SW401-409	WD483100	SW. TACT SKRGAAD010	

*: New Parts

P.C.B. OPERATION and P.C.B. MAIN

Ref No.	Part No.	Description	Markets
SW411-421	WD483100	SW. TACT	SKRGAADO10
SW471	V9597100	SW. RT. ENC	EC12E2460802
SW472-473	WD483100	SW. TACT	SKRGAADO10
TE461	WB213900	TERM. SP	MSP-113V2-03 PUSH
* TH491-492	WT698300	THERMISTOR	WC92NA103J1
U4001	WQ600700	L. DTCT	SM3385VMH6
* V4001	WU238100	FL. DSPLY	HNA-18MMO2T
	V6007100	SPACER. FL	4. 6/10/32
	WR432000	P. C. B.	MAIN
	WR432200	P. C. B.	MAIN
	WR432400	P. C. B.	MAIN
	WR432100	P. C. B.	MAIN
	WR432300	P. C. B.	MAIN
CB111-112	WN077700	CLIP. FUSE	CLIP PFC5000-0202F
CB152	VQ962900	CN. BS. PIN	8P
CB153	VQ963900	CN. BS. PIN	18P
CB154	VQ963600	CN. BS. PIN	15P
CB155	VQ963200	CN. BS. PIN	11P
C1001-1003	WKO41800	C. EL	10uF 16V
C1004-1007	UR257100	C. EL	10uF 35V
C1008	WN164200	C. PP	220pF 100V
C1008	WE100900	C. PP	220pF 630V K
C1009	WN164200	C. PP	220pF 100V
C1009	WE100900	C. PP	220pF 630V K
C1010	WN164200	C. PP	220pF 100V
C1010	WE100900	C. PP	220pF 630V K
C1011-1014	WN164200	C. PP	220pF 100V
C1015	WQ107500	C. PP	120pF 100V
C1015	WE100600	C. PP	120pF 630V K
C1016	WQ107500	C. PP	120pF 100V
C1016	WE100600	C. PP	120pF 630V K
C1017	WQ107500	C. PP	120pF 100V
C1017	WE100600	C. PP	120pF 630V K
C1018-1021	WQ107500	C. PP	120pF 100V
C1022	WN164900	C. PP	3300pF 100V
C1022	WE102300	C. PP	3300pF 100V J
C1023	WN164900	C. PP	3300pF 100V
C1023	WE102300	C. PP	3300pF 100V J
C1024	WN164900	C. PP	3300pF 100V
C1024	WE102300	C. PP	3300pF 100V J
C1025-1028	WN164900	C. PP	3300pF 100V
C1029	URO67470	C. EL	47uF 50V
C1030-1031	URO68100	C. EL	100uF 50V
C1032-1035	URO67470	C. EL	47uF 50V
C1036	WQ627600	C. CE	22pF 500V
C1036	WE100200	C. PP	22pF 630V K
C1037	WQ627600	C. CE	22pF 500V
C1037	WE100200	C. PP	22pF 630V K
C1038	WQ627600	C. CE	22pF 500V
C1038	WE100200	C. PP	22pF 630V K
C1039	WQ627600	C. CE	22pF 500V
C1040-1042	WQ627600	C. CE	22pF 500V
C1043-1049	WN164300	C. PP	330pF 100V
C1050	URO67100	C. EL	10uF 50V

* New Parts

Ref No.	Part No.	Description	Markets
C1050	UR397100	C. EL	10uF 100V
C1051	UR067100	C. EL	10uF 50V
C1051	UR397100	C. EL	10uF 100V
C1052	URO67100	C. EL	10uF 50V
C1052	UR397100	C. EL	10uF 100V
C1053-1056	URO67100	C. EL	10uF 50V
C1057-1063	WN165500	C. PP	0. 022uF 100V
C1066-1067	WN156000	C. PP	1000pF 250V
C1068	UR866470	C. EL	4. 7uF 50V
C1069	UR838100	C. EL	100uF 16V
C1069	UR828220	C. EL	220uF 10V
C1070-1073	UR297100	C. EL	10uF 100V
C1074	UR267330	C. EL	33uF 50V
C1075	WKO41800	C. EL	10uF 16V
C1076	UR266100	C. EL	1uF 50V
C1078	WJ611400	C. MYLAR	0. 1uF 100V J
C1078	WP421000	C. PP	0. 047uF 100V
C1079	WJ611400	C. MYLAR	0. 1uF 100V J
C1079	WP421000	C. PP	0. 047uF 100V
C1080-1081	WN165500	C. PP	0. 022uF 100V
C1082	URO49330	C. EL	3300uF 25V
C1083	URO49220	C. EL	2200uF 25V
△ C1084-1085	WN331300	C. EL	6800uF 71V
C1086	URO49220	C. EL	2200uF 25V
* C1087-1088	WV914600	C. EL	10uF 71V
C1089	US135100	C. CE. CHP	0. 1uF 16V
C1509	URO67470	C. EL	47uF 50V
C1510-1512	US135100	C. CE. CHP	0. 1uF 16V
C1513-1514	US061220	C. CE. CHP	22pF 50V B
C1515-1516	US135100	C. CE. CHP	0. 1uF 16V
C1517-1520	US062220	C. CE. CHP	220pF 50V B
C1521	UR267100	C. EL	10uF 50V
C1522	US061470	C. CE. CHP	47pF 50V B
C1523	UR238100	C. EL	100uF 16V
C1524	US061470	C. CE. CHP	47pF 50V B
C1525	UR267100	C. EL	10uF 50V
C1526-1527	UR238100	C. EL	100uF 16V
C1528-1529	US062220	C. CE. CHP	220pF 50V B
C1530	UR238100	C. EL	100uF 16V
C1531	UR267330	C. EL	33uF 50V
C1532-1533	UR238100	C. EL	100uF 16V
C1534-1535	US062220	C. CE. CHP	220pF 50V B
C1536	UR238100	C. EL	100uF 16V
C1537	WJ605600	C. MYLAR	0. 033uF 50V
C1538	VR169000	C. MYLAR	0. 33uF 50V
C1539	WJ604800	C. MYLAR	8200pF 50V
C1540	WJ605600	C. MYLAR	0. 033uF 50V
C1541	VR169000	C. MYLAR	0. 33uF 50V
C1542	US135100	C. CE. CHP	0. 1uF 16V
C1543	WJ604800	C. MYLAR	8200pF 50V
C1544	US062220	C. CE. CHP	220pF 50V B
C1545	US135100	C. CE. CHP	0. 1uF 16V
C1546	US062220	C. CE. CHP	220pF 50V B
C1547	UR267100	C. EL	10uF 50V
C1549	UR267100	C. EL	10uF 50V
C1551	US062220	C. CE. CHP	220pF 50V B
C1552	UR267100	C. EL	10uF 50V

* New Parts

RX-V667/HTR-6063/
RX-A700

P.C.B. MAIN

RX-V667/HTR-6063/
RX-A700

Ref No.	Part No.	Description	Markets
C1553-1554	UR266220	C. EL 2. 2uF 50V	
C1555-1556	UR267100	C. EL 10uF 50V	
C1557	US062220	C. CE. CHP 220pF 50V B	
C1558-1559	UR267470	C. EL 47uF 50V	
C1560	US062220	C. CE. CHP 220pF 50V B	
C1563	US062220	C. CE. CHP 220pF 50V B	
C1566	US062220	C. CE. CHP 220pF 50V B	
C1567-1568	VR169200	C. MYLAR 0. 47uF 50V	
C1569	US062220	C. CE. CHP 220pF 50V B	
C1570-1571	UR267100	C. EL 10uF 50V	
C1572-1573	US062100	C. CE. CHP 100pF 50V B	
C1574	UR267100	C. EL 10uF 50V	
C1575	US061470	C. CE. CHP 47pF 50V B	
C1576-1577	UR267100	C. EL 10uF 50V	
C1578	US061470	C. CE. CHP 47pF 50V B	
C1579	UR267100	C. EL 10uF 50V	
C1580	UR267100	C. EL 10uF 50V	URTKABGFL
C1580	UR837100	C. EL 10uF 16V	C
C1581-1582	US061470	C. CE. CHP 47pF 50V B	
C1583-1584	UR267470	C. EL 47uF 50V	
C1585	UR267100	C. EL 10uF 50V	URTKABGFL
C1585	UR837100	C. EL 10uF 16V	C
C1588-1591	UR267100	C. EL 10uF 50V	
C1594-1595	US062470	C. CE. CHP 470pF 50V B	
C1596	US064100	C. CE. CHP 0. 01uF 50V B	
C1597-1598	US062470	C. CE. CHP 470pF 50V B	
C1599-1602	UR267100	C. EL 10uF 50V	
C1603-1604	US062470	C. CE. CHP 470pF 50V B	
C1605	US064100	C. CE. CHP 0. 01uF 50V B	
C1606	US044220	C. CE. CHP 0. 022uF 25V B	
C1607	US062470	C. CE. CHP 470pF 50V B	
C1608	US044220	C. CE. CHP 0. 022uF 25V B	
C1609-1612	US064100	C. CE. CHP 0. 01uF 50V B	
D1001-1016	VT332900	D1ODE 1SS355	
△ D1017-1023	VG437500	D1ODE. ZENR MTZJ5. 1C 5. 1V	
D1024-1039	VT332900	D1ODE 1SS355	
△ D1040	WB212700	D1ODE. BRG RS603M 6A 200V	(V667, 6063)
△ D1040	WK611100	D1ODE. BRG D6SBN20 6A 200V	(A700)
△ D1041	WH487300	D1ODE. BRG RS203M 2. 0A 200V	
D1042	VG440500	D1ODE. ZENR MTZJ13B 13V	
D1043	VT332900	D1ODE 1SS355	
△ D1044-1045	VG435500	D1ODE. ZENR MTZJ2. 4B 2. 4V	
D1501-1502	VG438400	D1ODE. ZENR MTZJ6. 8C 6. 8V	
F100	KB000780	FUSE T5A 250V	R
G101	V5995800	PLATE. GND	
△ IC101	XJ608A00	IC NJM7812FA	
△ IC102	X4154A00	IC KIA7912P1	
IC103	YA381A00	IC LM19C1Z/LF THERMAL	URTKABGFL
IC152	XZ509A00	IC TC74VHC04FT INVER	
IC153	YA361A00	IC R2A15220FP	
IC154	X7378A00	IC NJM4565M (TE1)	
PJ150	V9420700	JACK. PIN 2P MSP-252V1-30N1	
PJ151	V7046800	JACK. PIN 6P MSP-246V1-01N1	
PJ152-153	V7046700	JACK. PIN 4P MSP-244V1-01N1	
PJ154	WG674900	JACK. PIN 4P	
PJ155	V7046700	JACK. PIN 4P MSP-244V1-01N1	
PJ157	V7046700	JACK. PIN 4P MSP-244V1-01N1	

* New Parts

Ref No.	Part No.	Description	Markets
PJ158	WG674900	JACK. PIN 4P	
PJ159	V7189700	JACK. PIN 1P	
Q1001-1014	WF549900	TR 2SC3906K T146 R, S	
Q1015-1021	V3966800	TR 2SA949 O, Y	
△ Q1022-1028	WT676000	TR 2SD2705S	
△ Q1029-1035	VR325600	TR 2SC2229 O, Y	
△ Q1036-1042	V4096100	TR 2SC4614 S, T	
△ Q1043-1049	V4096000	TR 2SA1770 S, T	
△ Q1050-1056	VR355900	TR. PAIR A1695/C4468 OPY	(IX630850, IX630860)
Q1057-1063	WF549900	TR 2SC3906K T146 R, S	
Q1064	WH372100	TR KTA1517S GR TP	
Q1065	WF549900	TR 2SC3906K T146 R, S	
△ Q1067-1068	WC292600	TR KTA1837-U	
△ Q1069-1070	WC398400	TR 2N5551C-AT	
△ Q1071	WC397700	TR 2N5401C-AT	
△ Q1072	VP872600	TR 2SA1708 S, T	
Q1073	WC398500	TR. DGT KRA102M-AT	
Q1074	WC529200	TR. DGT KRC102M-AT	
Q1500-1504	WC756200	TR 2SC5938A A, B	
Q1507-1514	WC756200	TR 2SC5938A A, B	
Q1519-1527	WC756200	TR 2SC5938A A, B	
R1001-1007	HF356100	R. CAR 1KΩ 1/2W	
R1008-1014	HF356180	R. CAR 1. 8KΩ 1/2W	
R1022-1028	HF355330	R. CAR 330Ω 1/2W	
R1029-1035	HL006120	R. MTL. OXD 1. 2KΩ 1/2W	
R1036-1042	V8070900	R. MTL. FLM 100Ω 1W	
R1043-1049	HL007330	R. MTL. OXD 33KΩ 1/2W	
R1079-1085	HL005120	R. MTL. OXD 120Ω 1/2W	
R1086-1092	WG727400	R. MTL. FLM 2. 7KΩ 1/4W	
R1093-1099	WG725600	R. MTL. FLM 470Ω 1/4W	
R1100-1106	WG726400	R. MTL. FLM 1KΩ 1/4W	
R1107-1112	WG726200	R. MTL. FLM 820Ω 1/4W	
△ R1113-1126	HV755120	R. CAR. FP 120Ω 1/4W	
R1127-1133	HF355470	R. CAR 470Ω 1/2W	
△ R1134-1147	HV754100	R. CAR. FP 10Ω 1/4W	
△ R1148-1154	WP839400	R. CEMENT 0. 22+0. 22 3W	
△ R1176-1182	V8070300	R. MTL. FLM 10Ω 1W	
△ R1197-1198	V8070200	R. MTL. FLM 4. 7Ω 1W	
△ R1211	HV754100	R. CAR. FP 10Ω 1/4W	
R1213	V8072100	R. MTL. OXD 5. 6KΩ 1W	
R1214	HV755560	R. CAR. FP 560Ω 1/4W	
R1219	V8072000	R. MTL. OXD 4. 7KΩ 1W	
△ R1222	HV756100	R. CAR. FP 1KΩ 1/4W	
R1225	VP941900	R. MTL. OXD 15KΩ 1W	
R1226	HF357470	R. CAR 47KΩ 1/2W	
△ R1234-1235	HV754100	R. CAR. FP 10Ω 1/4W	
R1236	WG726200	R. MTL. FLM 820Ω 1/4W	
△ R1238	V8070300	R. MTL. FLM 10Ω 1W	
R1504	HV753100	R. CAR. FP 1Ω 1/4W	
R1573	WA621400	R. MTL. OXD 82Ω 1W	(V667, 6063)
R1573	WQ835800	R. MTL. OXD 100Ω 1W	(A700)
R1575	WA621400	R. MTL. OXD 82Ω 1W	(V667, 6063)
R1575	WQ835800	R. MTL. OXD 100Ω 1W	(A700)
R1664-1665	HV755100	R. CAR. FP 100Ω 1/4W	
△ RY101	WE648700	RELAY DC DH24D2-0-Q	
ST100	V4040500	SCR. TERM M3	
ST101	WA246200	SCR. TERM 3. 5	URTKABGFL

* New Parts

P.C.B. MAIN and P.C.B. VIDEO

Ref No.	Part No.	Description	Markets
SW101	WB493700	VOLT. SELCT	R
SW101	WD073700	VOLT. SELCT	L
U1500-1501	WH169900	CN. PHOTO. R	
	WE774200	SCR. BND. HD	
		1P GP1FAV51RK0F	
		3x10 MFZN2W3	
*	WU429400	P. C. B.	U
*	WU429500	P. C. B.	C
*	WU429600	P. C. B.	R
*	WU429700	P. C. B.	T
*	WU429800	P. C. B.	K
*	WU429900	P. C. B.	A
*	WU430000	P. C. B.	BGF
*	WU430100	P. C. B.	L
CB303	VQ961500	CN. BS. PIN	
CB304	VN394900	CN. BS. PIN	
CB321	VM859500	CN. BS. PIN	
CB332	VQ961300	CN. BS. PIN	
CB333	VK024700	CN. BS. PIN	
CB340	LB918020	CN. BS. PIN	
CB342	LB918040	CN. BS. PIN	
CB343	VZ130900	CN. JUMPER	
CB344	VQ585500	CN. JUMPER	
CB346	VB390000	CN. BS. PIN	
CB349	VQ047700	CN. BS. PIN	
CB371	VG879900	CN. BS. PIN	
CB372-373	WN103000	CLIP. FUSE	
		TP00351-31	
CB378	VG879900	CN. BS. PIN	RL
CB379	VQ961000	CN. BS. PIN	
CB381	VQ962800	CN. BS. PIN	
CB391	VQ044100	CN. BS. PIN	BGF
C3001	US062100	C. CE. CHP	
		100pF 50V B	
C3002-3004	US060800	C. CE. CHP	
		8pF 50V B	
C3005	US062100	C. CE. CHP	
		100pF 50V B	
C3006	UR237470	C. EL	
		47uF 16V	
C3007-3008	US135100	C. CE. CHP	
		0. 1uF 16V	
C3009	UR237470	C. EL	
		47uF 16V	
C3011	US060300	C. CE. CHP	
		3pF 50V B	
C3012	UR837470	C. EL	
		47uF 16V	
C3013-3014	US060300	C. CE. CHP	
		3pF 50V B	
C3015-3017	US135100	C. CE. CHP	
		0. 1uF 16V	
C3018	UR267100	C. EL	
		10uF 50V	
C3019	US135100	C. CE. CHP	
		0. 1uF 16V	
C3020	UR267100	C. EL	
		10uF 50V	
C3021-3025	US135100	C. CE. CHP	
		0. 1uF 16V	
C3026	UR267100	C. EL	
		10uF 50V	
C3027	WD758300	C. CE. CHP	
		10uF 10V	
C3029	WD758300	C. CE. CHP	
		10uF 10V	
C3031	WD758300	C. CE. CHP	
		10uF 10V	
C3033	UR837470	C. EL	
		47uF 16V	
C3035-3037	WD758300	C. CE. CHP	
		10uF 10V	
C3043-3044	US135100	C. CE. CHP	
		0. 1uF 16V	
C3045	UR837470	C. EL	
		47uF 16V	
C3047	US135100	C. CE. CHP	
		0. 1uF 16V	
C3048	UR238220	C. EL	
		220uF 16V	
C3049	UR837470	C. EL	
		47uF 16V	

* New Parts

Ref No.	Part No.	Description	Markets
C3050	US135100	C. CE. CHP	
		0. 1uF 16V	
C3051	UR238220	C. EL	
		220uF 16V	
C3063	US135100	C. CE. CHP	
		0. 1uF 16V	
C3065	UR237470	C. EL	
		47uF 16V	
C3067	US135100	C. CE. CHP	
		0. 1uF 16V	
C3072	US135100	C. CE. CHP	
		0. 1uF 16V	
C3073	UR238220	C. EL	
		220uF 16V	
C3077	US135100	C. CE. CHP	
		0. 1uF 16V	
C3080-3085	WD758300	C. CE. CHP	
		10uF 10V	
C3201	US061270	C. CE. CHP	BGF
		27pF 50V B	
C3202	UR237100	C. EL	BGF
		10uF 16V	
C3203	US061270	C. CE. CHP	BGF
		27pF 50V B	
C3204-3205	US135100	C. CE. CHP	BGF
		0. 1uF 16V	
C3206	US062560	C. CE. CHP	BGF
		560pF 50V B	
C3207-3208	US062330	C. CE. CHP	BGF
		330pF 50V B	
C3209	US135100	C. CE. CHP	BGF
		0. 1uF 16V	
C3211	UR237470	C. EL	BGF
		47uF 16V	
C3212-3214	UR237470	C. EL	
		47uF 16V	
C3215	US062100	C. CE. CHP	
		100pF 50V B	
C3217-3218	US062100	C. CE. CHP	
		100pF 50V B	
C3221	US062100	C. CE. CHP	
		100pF 50V B	
C3303-3305	WJ611400	C. MYLAR	
		0. 1uF 100V J	
C3308	UR278100	C. EL	
		100uF 63V	
C3309	WG601900	C. EL	
		1000uF 16V	
C3310	WG601700	C. EL	
		4700uF 16V	
C3311	UR238100	C. EL	
		100uF 16V	
C3314	UR266100	C. EL	
		1uF 50V	
C3315	UR267100	C. EL	
		10uF 50V	
C3316	UR268100	C. EL	
		100uF 50V	
C3319	UR266100	C. EL	
		1uF 50V	
C3320-3321	UR267330	C. EL	
		33uF 50V	
C3403-3409	WJ605000	C. MYLAR	
		0. 01uF 50V J	
C3410-3416	WJ605200	C. MYLAR	
		0. 015uF 50V	
C3603-3604	US063100	C. CE. CHP	
		1000pF 50V B	
C3606	US064100	C. CE. CHP	
		0. 01uF 50V B	
C3701	WQ852400	C. POL. MTL	
		0. 022uF 630V	
△ C3702	WK005000	C. CE. SAFTY	
		0. 047uF 275V	
C3703	WRO82000	C. EL	UC
		100uF 220V	
C3703	WRO82100	C. EL	R
		100uF 400V	
C3703	WQ852500	C. EL	TKABGFL
		68uF 400V	
C3704	WR182800	C. CE. CHP	
		2200pF 250V	
C3705	US065100	C. CE. CHP	
		0. 1uF 50V B	
△ C3706	V6185300	C. CE. SAFTY	
		0. 01uF 275V	
C3707	UR837470	C. EL	
		47uF 16V	
C3708	UR867100	C. EL	
		10uF 50V	
△ C3709	WQ902200	C. CE. SAFTY	
		2200pF 250V	
C3710-3711	UR866100	C. EL	
		1uF 50V	
C3712-3713	WH777900	C. EL	
		1000uF 35V	
C3714	US046100	C. CE. CHP	
		1uF 25V	
C3715	US135100	C. CE. CHP	
		0. 1uF 16V	
C3716	WH771300	C. EL	
		100uF 10V	
C3717	WQ852400	C. POL. MTL	
		0. 022uF 630V	
△ C3720-3721	WQ902300	C. CE. SAFTY	
		1000pF 250V	
C3801	US064100	C. CE. CHP	
		0. 01uF 50V B	
C3802	V7887800	C. EL	
		1uF 50V	
C3803	WJ335500	C. EL	
		2. 2uF 50V	
C3804	WJ603700	C. MYLAR	
		1000pF 50V	

* New Parts

RX-V667/HTR-6063/
RX-A700

P.C.B. VIDEO

RX-V667/HTR-6063/
RX-A700

Ref No.	Part No.	Description	Markets
C3805	US064100	C. CE. CHP 0.01uF 50V B	
C3901	US064100	C. CE. CHP 0.01uF 50V B	BGF
C3902	US062120	C. CE. CHP 120pF 50V B	BGF
C3903	US062220	C. CE. CHP 220pF 50V B	BGF
C3904	US135100	C. CE. CHP 0.1uF 16V	BGF
C3905	UR837470	C. EL 47uF 16V	BGF
C3906	UR837100	C. EL 10uF 16V	BGF
C3907	UR818470	C. EL 470uF 6.3V	BGF
C3908	US064100	C. CE. CHP 0.01uF 50V B	BGF
D3201	VG436100	D1ODE. ZENR MTZJ3. 3B 3.3V	BGF
D3202	VG439500	D1ODE. ZENR MTZJ10B 10V	
△ D3302	WH487300	D1ODE. BRG RS203M 2.0A 200V	
△ D3304	WH487300	D1ODE. BRG RS203M 2.0A 200V	
D3306	WU201600	D1ODE 1N4003S TP	
D3308	VG444700	D1ODE. ZENR MTZ J 39D 39.0V TP	
D3310	VT332900	D1ODE 1SS355	
D3320	VG437400	D1ODE. ZENR MTZJ5. 1B 5.1V	
D3350	VU172800	D1ODE. ZENR UZ2S12B 12V	R
D3403-3407	VT332900	D1ODE 1SS355	
D3601-3602	VT332900	D1ODE 1SS355	
△ D3701	WH471700	D1ODE. BRG DB105 1A 600V	
D3703	WN672400	D1ODE. ZENR P6KE200A 200V	
D3705	WQ647500	D1ODE HT18G	
D3706-3707	VD631600	D1ODE 1SS133, 176	
D3708	VT332900	D1ODE 1SS355	
D3709	WRO07000	D1ODE. SCHOTTKY 10A 40V SG10SC4M	
D3710	VG442200	D1ODE. ZENR MTZJ22C 22V	
D3801-3805	VT332900	D1ODE 1SS355	
D3901-3902	VT332900	D1ODE 1SS355	BGF
△ F3701	WQ211100	FUSE 8A 125V	UC
△ F3701	WB760600	FUSE T6. 3A 250V	R
△ F3701	WM933100	FUSE T5A 250V	TKABGFL
IC301-303	XY879A00	IC TC74HC4053AF (EL)	
IC305	X6742A00	IC LA73050-TLM-E	
IC306	X2904A00	IC NJM2581M VIDEO AMP	
IC307	XY549A00	IC TC74HC4051AFEL	
IC308	X7779A00	IC LC709004A-TLM-E	
IC310	X8875A00	IC FHP33501M14X	
IC321	X8235A00	IC LC72725KM	BGF
IC334	X6143A00	IC NJM2388F05 5.0V	
IC371	YA565A00	IC TOP254PN SW	
△ IC372	WQ867100	PHOT. CPL EL816 (M) (C)	
IC374	YA276A00	IC TL431AC 2.5-36V	
△ IC375	WQ867100	PHOT. CPL EL816 (M) (C)	
IC391	XZ509A00	IC TC74VHC04FT INVER	BGF
JK321	V9435700	JACK. MNI MSJ-035-12APC	
JK361-362	V9435700	JACK. MNI MSJ-035-12APC	
JK391	V6931000	CN. DIN 1P YKF51-5506	BGF
PJ301	WG505100	JACK. PIN 6P	
PJ302	V7189800	JACK. PIN 1P	
PJ303	WH381400	JACK. PIN 3P JACK G, B, R	
PJ304	V7189800	JACK. PIN 1P	
PJ305-306	V7190000	JACK. PIN 2P	
Q3001	VR936300	TR 2SA1576A T106	
Q3201	iC174020	TR 2SC1740S QRS	BGF
Q3203	iC181510	TR 2SC1815 Y	
Q3204	iA101510	TR 2SA1015 Y	

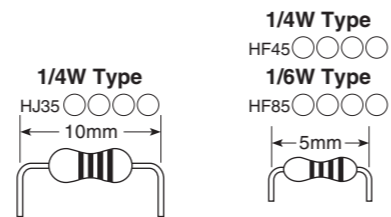
* New Parts

Ref No.	Part No.	Description	Markets
Q3205	iC181510	TR 2SC1815 Y	
Q3206	WG538600	TR KTA1046-Y-U/P	
Q3207	iC181510	TR 2SC1815 Y	
△ Q3301	VP872600	TR 2SA1708 S, T	
Q3302	iA101510	TR 2SA1015 Y	
Q3303	WG538600	TR KTA1046-Y-U/P	
Q3304	iA101510	TR 2SA1015 Y	
Q3305	iC181510	TR 2SC1815 Y	
Q3405	VV655400	TR. DGT DTC114EKA	
Q3406	VV655000	TR. DGT DTA114EKA	
Q3407	VV655400	TR. DGT DTC114EKA	
Q3408	VV655000	TR. DGT DTA114EKA	
Q3409	VV655400	TR. DGT DTC114EKA	
Q3410	VV655000	TR. DGT DTA114EKA	
Q3411	VV655400	TR. DGT DTC114EKA	
Q3412	VV655000	TR. DGT DTA114EKA	
Q3413	VV655400	TR. DGT DTC114EKA	
Q3414	VV655000	TR. DGT DTA114EKA	
Q3801-3802	iC181510	TR 2SC1815 Y	
Q3803	VV655700	TR. DGT DTC144EKA	
R3021	HV753100	R. CAR. FP 1Ω 1/4W	
R3025	HV753100	R. CAR. FP 1Ω 1/4W	
R3046-3049	HV753100	R. CAR. FP 1Ω 1/4W	
R3060-3061	HV753100	R. CAR. FP 1Ω 1/4W	
R3208	HV755680	R. CAR. FP 680Ω 1/4W	BGF
R3210	HV754180	R. CAR. FP 18Ω 1/4W	
R3213	HV753560	R. CAR. FP 5.6Ω 1/4W	
△ R3301	HV753220	R. CAR. FP 2.2Ω 1/4W	
R3306	HV756100	R. CAR. FP 1KΩ 1/4W	
R3315-3316	HV756470	R. CAR. FP 4.7KΩ 1/4W	
R3403-3406	HV757100	R. CAR. FP 10KΩ 1/4W	
R3910	HV753220	R. CAR. FP 2.2Ω 1/4W	BGF
RY341-345	WJ122400	RELAY 981-2A-24DS-SP7	
△ RY371	WQ804100	RELAY DC DLS5D1-0 (M) 0.25	
ST331-332	V4040500	SCR. TERM M3	
ST361-362	V4040500	SCR. TERM M3	
ST371	V4040500	SCR. TERM M3	
ST381-383	V4040500	SCR. TERM M3	
△ T3701	YA507B00	TRANS. PWR	
TE341	WK560800	TERM. SP 4P MST-204V1-01 NC	UCRTA
TE341	WK560900	TERM. SP 4P MST-204V1-01 WC	KBGFL
TE342	WK561000	TERM. SP 6P MST-207V1-01 NC	UCRTA
TE342	WK561100	TERM. SP 6P MST-207V1-01 WC	KBGFL
TE343	WK560800	TERM. SP 4P MST-204V1-01 NC	UCRTA
TE343	WK560900	TERM. SP 4P MST-204V1-01 WC	KBGFL
XL321	V2731100	RSNR. CRY5 4.332M HC-49/U	BGF
	WE774200	SCR. BND. HD 3x10 MFZN2W3	

* New Parts

Carbon Resistors

Value	1/4W Type Part No.	1/6W Type Part No.	Value	1/4W Type Part No.	1/6W Type Part No.
1.0 Ω	HJ35 3100	HF85 3100	11 kΩ	HF45 7110	HF45 7110
1.8 Ω	HJ35 3180	*	12 kΩ	HJ35 7120	HF85 7120
2.2 Ω	HJ35 3220	HF85 3220	13 kΩ	HF45 7130	HF45 7130
3.3 Ω	HJ35 3330	HF85 3330	15 kΩ	HF45 7150	HF45 7150
4.7 Ω	HJ35 3470	HF85 3470	18 kΩ	HF45 7180	HF45 7180
5.6 Ω	HJ35 3560	HF85 3560	22 kΩ	HF45 7220	HF45 7220
10 Ω	HF45 4100	HF45 4100	24 kΩ	HF45 7240	HF45 7240
15 Ω	HJ35 4150	HF85 4150	27 kΩ	HJ35 7270	HF85 7270
22 Ω	HF45 4220	HF45 4220	30 kΩ	HF45 7300	HF45 7300
27 Ω	HJ35 4270	HF85 4270	33 kΩ	HF45 7330	HF45 7330
33 Ω	HF45 4330	HF45 4330	36 kΩ	HF45 7360	HF45 7360
39 Ω	HJ35 4470	HF85 4390	39 kΩ	HF45 7390	HF45 7390
47 Ω	HF45 4470	HF45 4470	47 kΩ	HF45 7470	HF45 7470
56 Ω	HF45 4560	HF45 4560	51 kΩ	HF45 7510	HF45 7510
68 Ω	HF45 4680	HF45 4680	56 kΩ	HF45 7560	HF45 7560
75 Ω	HF45 4750	HF45 4750	62 kΩ	HF45 7620	HF45 7620
82 Ω	HF45 4820	HF45 4820	68 kΩ	HF45 7680	HF45 7680
91 Ω	HF45 4910	HF45 4910	82 kΩ	HF45 7820	HF45 7820
100 Ω	HF45 5100	HF45 5100	91 kΩ	HF45 7910	HF45 7910
110 Ω	HJ35 5110	HF85 5110	100 kΩ	HF45 8100	HF45 8100
120 Ω	HF45 5120	HF45 5120	110 kΩ	HF45 8110	HF45 8110
150 Ω	HF45 5150	HF45 5150	120 kΩ	HF45 8120	HF45 8120
160 Ω	HJ35 5160	*	130 kΩ	HF45 8130	*
180 Ω	HF45 5180	HF45 5180	150 kΩ	HF45 8150	HF45 8150
200 Ω	HF45 5200	HF45 5200	180 kΩ	HF45 8180	HF45 8180
220 Ω	HF45 5220	HF45 5220	220 kΩ	HJ35 8220	HF85 8220
270 Ω	HF45 5270	HF45 5270	270 kΩ	HF45 8270	HF45 8270
330 Ω	HF45 5330	HF45 5330	300 kΩ	HF45 8300	HF45 8300
390 Ω	HF45 5390	HF45 5390	330 kΩ	HF45 8330	HF45 8330
430 Ω	HF45 5430	HF45 5430	390 kΩ	HJ35 8390	HF85 8390
470 Ω	HF45 5470	HF45 5470	470 kΩ	HF45 8470	HF45 8470
510 Ω	HF45 5510	HF45 5510	560 kΩ	HJ35 8560	HF85 8560
560 Ω	HF45 5560	HF45 5560	680 kΩ	HJ35 8680	HF85 8680
680 Ω	HF45 5680	HF45 5680	820 kΩ	HJ35 8820	HF85 8820
820 Ω	HF45 5820	HF45 5820	1.0 MΩ	HF45 9100	HF45 9100
910 Ω	HF45 5910	HF45 5910	1.2 MΩ	HJ35 9120	*
1.0 kΩ	HF45 6100	HF45 6100	1.5 MΩ	HJ35 9150	HF85 9150
1.2 kΩ	HF45 6120	HF45 6120	1.8 MΩ	HJ35 9180	HF85 9180
1.5 kΩ	HF45 6150	HF45 6150	2.2 MΩ	HJ35 9220	HF85 9220
1.8 kΩ	HF45 6180	HF45 6180	3.3 MΩ	HJ35 9330	HF85 9330
2.0 kΩ	HJ35 6200	HF85 6200	3.9 MΩ	HJ35 9390	*
2.2 kΩ	HF45 6220	HF45 6220	4.7 MΩ	HJ35 9470	HF85 9470
2.4 kΩ	HJ35 6240	HF85 6240			
2.7 kΩ	HF45 6270	HF45 6270			
3.0 kΩ	HF45 6300	HF45 6300			
3.3 kΩ	HF45 6330	HF45 6330			
3.6 kΩ	HJ35 6360	HF85 6360			
3.9 kΩ	HF45 6390	HF45 6390			
4.7 kΩ	HF45 6470	HF45 6470			
5.1 kΩ	HF45 6510	HF45 6510			
5.6 kΩ	HF45 6560	HF45 6560			
6.8 kΩ	HF45 6680	HF45 6680			
8.2 kΩ	HF45 6820	HF45 6820			
9.1 kΩ	HF45 6910	HF45 6910			
10 kΩ	HF45 7100	HF45 7100			



* : Not available

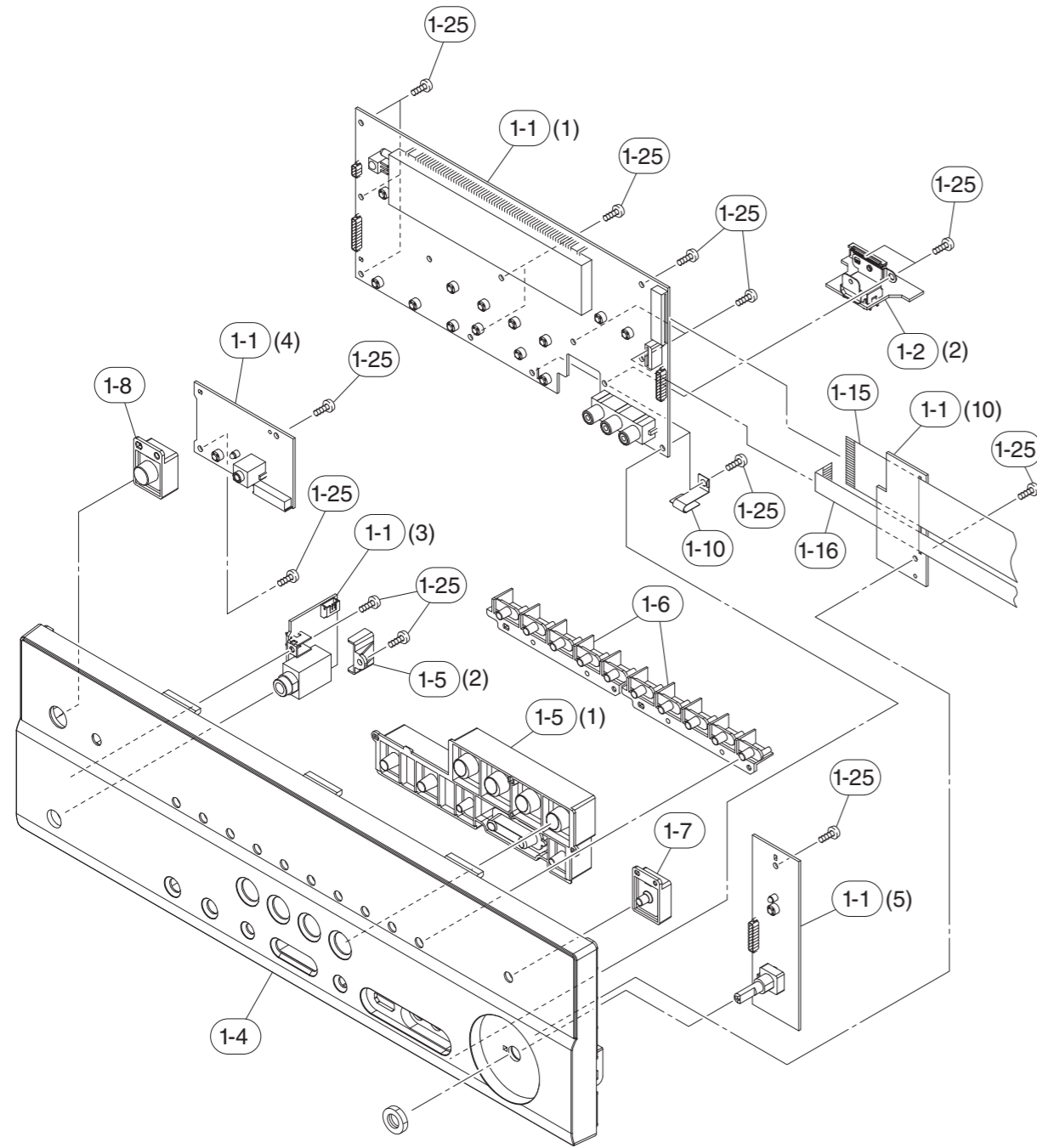
Ref No.	Part No.	Description	Remarks	Markets	
2-1	WR432000	P. C. B. ASS' Y	MAIN	V667, 6063	UTKABGF
2-1	WR432200	P. C. B. ASS' Y	MAIN	A700	U
2-1	WR432400	P. C. B. ASS' Y	MAIN		C
2-1	WR432100	P. C. B. ASS' Y	MAIN		R
2-1	WR432300	P. C. B. ASS' Y	MAIN		L
* 2-2	WU429400	P. C. B. ASS' Y	VIDEO		U
* 2-2	WU429500	P. C. B. ASS' Y	VIDEO		C
* 2-2	WU429600	P. C. B. ASS' Y	VIDEO		R
* 2-2	WU429700	P. C. B. ASS' Y	VIDEO		T
* 2-2	WU429800	P. C. B. ASS' Y	VIDEO		K
* 2-2	WU429900	P. C. B. ASS' Y	VIDEO		A
* 2-2	WU430000	P. C. B. ASS' Y	VIDEO		BGF
* 2-2	WU430100	P. C. B. ASS' Y	VIDEO		L
* 2-3	WU427500	P. C. B. ASS' Y	OPERATION	V667	U
* 2-3	WU933400	P. C. B. ASS' Y	OPERATION	A700	U
* 2-3	WU427600	P. C. B. ASS' Y	OPERATION	V667	C
* 2-3	WU428000	P. C. B. ASS' Y	OPERATION	6063	C
* 2-3	WU427700	P. C. B. ASS' Y	OPERATION	V667	RTKABGFL
* 2-3	WU428100	P. C. B. ASS' Y	OPERATION	6063	A
* 7	WU432000	P. C. B. ASS' Y	DIGITAL	V667	U
* 7	WU933100	P. C. B. ASS' Y	DIGITAL	A700	U
* 7	WU432100	P. C. B. ASS' Y	DIGITAL		CTKAL
* 7	WU432200	P. C. B. ASS' Y	DIGITAL		R
* 7	WU432300	P. C. B. ASS' Y	DIGITAL		BGF
12	WQ756600	AM/FM TUNER	FAEH06-A		UCRTL
12	WQ756700	AM/FM TUNER	FAEH06-E		KABGF
△ 15	YA684A00	POWER TRANSFORMER			UC
△ 15	YA685A00	POWER TRANSFORMER			RL
△ 15	YA686A00	POWER TRANSFORMER			TK
△ 15	YA687A00	POWER TRANSFORMER			A
△ 15	YA688A00	POWER TRANSFORMER			BGF
△ 16	WR336800	POWER CABLE	2m		UC
△ 16	WC992700	POWER CABLE	2m		R
△ 16	WB120600	POWER CABLE	2m		T
△ 16	WC753000	POWER CABLE	2m		K
△ 16	WC743700	POWER CABLE	2m		A
△ 16	WB212200	POWER CABLE	2m		B
△ 16	WR336900	POWER CABLE	2m		GFL
17	V2438700	CORD STOPPER	10P1		
* 25	WU250200	FLEXIBLE FLAT CABLE	22P 250mm P=1.25		
* 26	WU250100	FLEXIBLE FLAT CABLE	14P 300mm P=1.25		
* 30	WV083200	FLEXIBLE FLAT CABLE	20P 190mm P=1.0		
* 31	WR284900	FLEXIBLE FLAT CABLE	11P 100mm P=1.25		
* 32	WU249700	FLEXIBLE FLAT CABLE	5P 300mm P=1.25		BGF
* 101	WT980000	TOP COVER		GD	
* 101	WT979800	TOP COVER		BL	
* 101	WT979900	TOP COVER		TI	
* 103	WU012300	REAR PANEL		V667	U
* 103	WU633600	REAR PANEL		A700	U
* 103	WU012400	REAR PANEL		V667	C
* 103	WU013300	REAR PANEL		6063	C
* 103	WU012600	REAR PANEL		V667	R
* 103	WU012700	REAR PANEL		V667	T
* 103	WU012800	REAR PANEL		V667	K
* 103	WU012900	REAR PANEL		V667	A
* 103	WU013500	REAR PANEL		6063	A
* 103	WU013000	REAR PANEL		V667	BGF
* 103	WU013100	REAR PANEL		V667	L
107	WR946700	BARRIER FFC			
109	WQ664500	SUPPORT H8			

* New Parts

Ref No.	Part No.	Description	Remarks	Markets	
120	V0042500	LEG	D60xH21 GD	GD	
120	VS025000	LEG	D60xH21 HS	V667BL, 6063BL, TI	
120	WQ379900	LEG	D60xH21	A700BL	
* 121	WT824300	KNOB	D52	GD	
* 121	WT824100	KNOB	D52	V667BL, 6063BL	
* 121	WV033600	KNOB	D52	A700BL	
* 121	WT824200	KNOB	D52	TI	
* 124	WV139700	CENTER LEG	D48	A700	
151	WB870100	DAMPER	30x10x4		
152	WC879000	DAMPER	SCREW MASK		
153	WR377400	DAMPER	14x10x10		
160	WE774100	BIND HEAD BONDING B-T. SCREW	3x8 MFZN2B3		
163	WE774300	BIND HEAD B-TIGHT SCREW	3x8 MFZN2W3		
164	WE877900	BIND HEAD S-TIGHT SCREW	3x6 MFZN2W3		
167	WF002600	PW HEAD B-TIGHT SCREW	3x8 MFZN2W3		
168	WE774600	SCREW IC	3x18 MFZN2W3		
170	WU048900	BIND HEAD S-TIGHT SCREW	4x10 MFZN2W3		
171	VD069600	PW HEAD S-TIGHT SCREW	4x8-10 MFN133	GD, TI	
171	VH313200	PW HEAD S-TIGHT SCREW	4x8-10 MFN13BL	BL	
175	V6509600	JACK SCREW	SS6-A47511848	A700	
176	AA627310	GROUND TERMINAL			
		ACCESSORIES			
* 200	WT927200	REMOTE CONTROL	RAV336	000-213220010	U
* 200	WT927300	REMOTE CONTROL	RAV337	000-213220020	C
* 200	WT927400	REMOTE CONTROL	RAV338	000-213220030	RTKABGFL
200-1	AAX82380	BATTERY COVER		CG-2209	
202	V6267000	INDOOR FM ANTENNA	1.4m 1pc		UCRTL
202	VQ147100	INDOOR FM ANTENNA	1.4m 1pc		KABGF
203	VR248500	AM LOOP ANTENNA	1.0m 1pc		
204	WN649600	YPAO MICROPHONE	6.0m 1pc		EM6022L-HN1700
* 205	WU187800	VIDEO AUX INPUT COVER	1pc		GD
* 205	WU187600	VIDEO AUX INPUT COVER	1pc		BL
* 205	WU187700	VIDEO AUX INPUT COVER	1pc		TI
		BATTERY	R03, AAA, UM-4 2pcs		

* New Parts

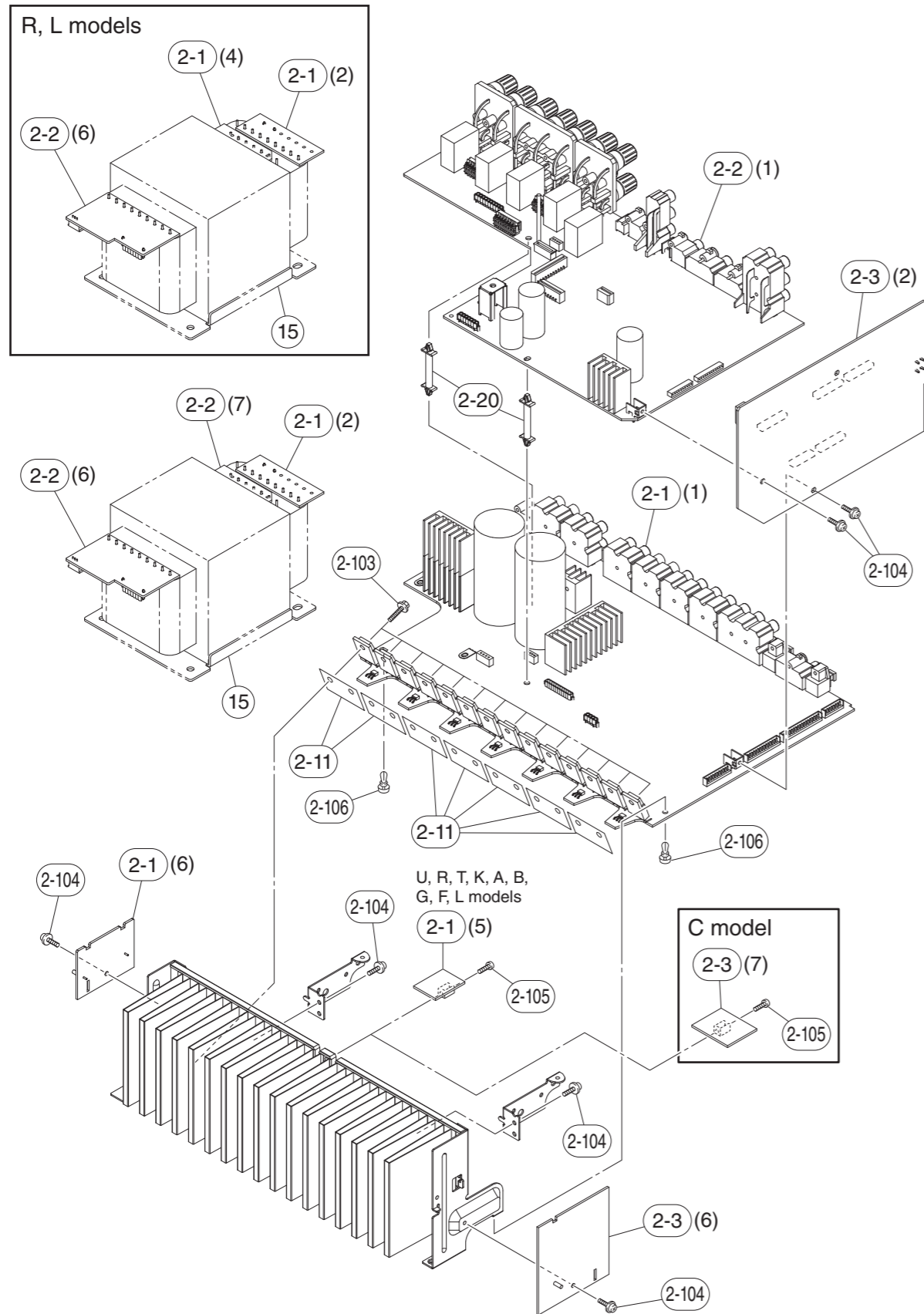
• FRONT PANEL UNIT



Ref No.	Part No.	Description	Remarks	Markets
* 1-1	WU427500	P. C. B. ASS'Y	OPERATION	V667 U
* 1-1	WU933400	P. C. B. ASS'Y	OPERATION	A700 U
* 1-1	WU427600	P. C. B. ASS'Y	OPERATION	V667 C
* 1-1	WU428000	P. C. B. ASS'Y	OPERATION	6063 C
* 1-1	WU427700	P. C. B. ASS'Y	OPERATION	V667 RTKABGFL
* 1-1	WU428100	P. C. B. ASS'Y	OPERATION	6063 A
* 1-2	WU432000	P. C. B. ASS'Y	DIGITAL	V667 U
* 1-2	WU933100	P. C. B. ASS'Y	DIGITAL	A700 U
* 1-2	WU432100	P. C. B. ASS'Y	DIGITAL	CTKAL R
* 1-2	WU432200	P. C. B. ASS'Y	DIGITAL	R BGF
* 1-2	WU432300	P. C. B. ASS'Y	DIGITAL	
* 1-4	WU826900	FRONT PANEL SUB ASS'Y	with WINDOW	V667GD
* 1-4	WU826600	FRONT PANEL SUB ASS'Y	with WINDOW	V667BL U
* 1-4	WU827000	FRONT PANEL SUB ASS'Y	with WINDOW	6063BL U
* 1-4	WV501000	FRONT PANEL SUB ASS'Y	with WINDOW	A700BL U
* 1-4	WU826700	FRONT PANEL SUB ASS'Y	with WINDOW	V667BL CRTKABGFL
* 1-4	WU827100	FRONT PANEL SUB ASS'Y	with WINDOW	6063BL CA
* 1-4	WU826800	FRONT PANEL SUB ASS'Y	with WINDOW	6063TI
* 1-5	WT822500	BUTTON CASE		GD
* 1-5	WT822300	BUTTON CASE		BL
* 1-5	WT822400	BUTTON CASE		TI
* 1-6	WT823900	BUTTON	TUNER	
* 1-7	WT871300	BUTTON	PURE DIRECT	
* 1-8	WT843800	BUTTON POWER		
* 1-10	WT846200	EARTH PLATE		
1-15	WR482100	FLEXIBLE FLAT CABLE	25P 250mm P=1.25	
1-16	WR482000	FLEXIBLE FLAT CABLE	9P 300mm P=1.25	
1-25	WE774800	BIND HEAD P-TIGHT SCREW	3x8 MFZN2W3	

* New Parts

• AMP UNIT



Ref No.	Part No.	Description	Remarks	Markets
2-1	WR432000	P. C. B. ASS'Y	MAIN	UTKABGF
2-1	WR432200	P. C. B. ASS'Y	MAIN	U
2-1	WR432400	P. C. B. ASS'Y	MAIN	C
2-1	WR432100	P. C. B. ASS'Y	MAIN	R
2-1	WR432300	P. C. B. ASS'Y	MAIN	L
* 2-2	WU429400	P. C. B. ASS'Y	VIDEO	U
* 2-2	WU429500	P. C. B. ASS'Y	VIDEO	C
* 2-2	WU429600	P. C. B. ASS'Y	VIDEO	R
* 2-2	WU429700	P. C. B. ASS'Y	VIDEO	T
* 2-2	WU429800	P. C. B. ASS'Y	VIDEO	K
* 2-2	WU429900	P. C. B. ASS'Y	VIDEO	A
* 2-2	WU430000	P. C. B. ASS'Y	VIDEO	BGF
* 2-2	WU430100	P. C. B. ASS'Y	VIDEO	L
* 2-3	WU427500	P. C. B. ASS'Y	OPERATION	V667
* 2-3	WU933400	P. C. B. ASS'Y	OPERATION	A700
* 2-3	WU427600	P. C. B. ASS'Y	OPERATION	V667
* 2-3	WU428000	P. C. B. ASS'Y	OPERATION	6063
* 2-3	WU427700	P. C. B. ASS'Y	OPERATION	V667
* 2-3	WU428100	P. C. B. ASS'Y	OPERATION	6063
2-11	WQ753200	MICA SHEET	TB-1021	
2-20	WS000800	SPACER SUPPORT	LCA4-29M PIN	
2-103	WM220800	HEXAGONAL HEAD B-TIGHT SCREW	3x15 SP MFZN2W3	
2-104	WF002600	PW HEAD B-TIGHT SCREW	3x8 MFZN2W3	
2-105	WE774300	BIND HEAD B-TIGHT SCREW	3x8 MFZN2W3	
2-106	VQ368600	PUSH RIVET	P3555-B	
△ 15	YA684A00	POWER TRANSFORMER		UC
△ 15	YA685A00	POWER TRANSFORMER		RL
△ 15	YA686A00	POWER TRANSFORMER		TK
△ 15	YA687A00	POWER TRANSFORMER		A
△ 15	YA688A00	POWER TRANSFORMER		BGF

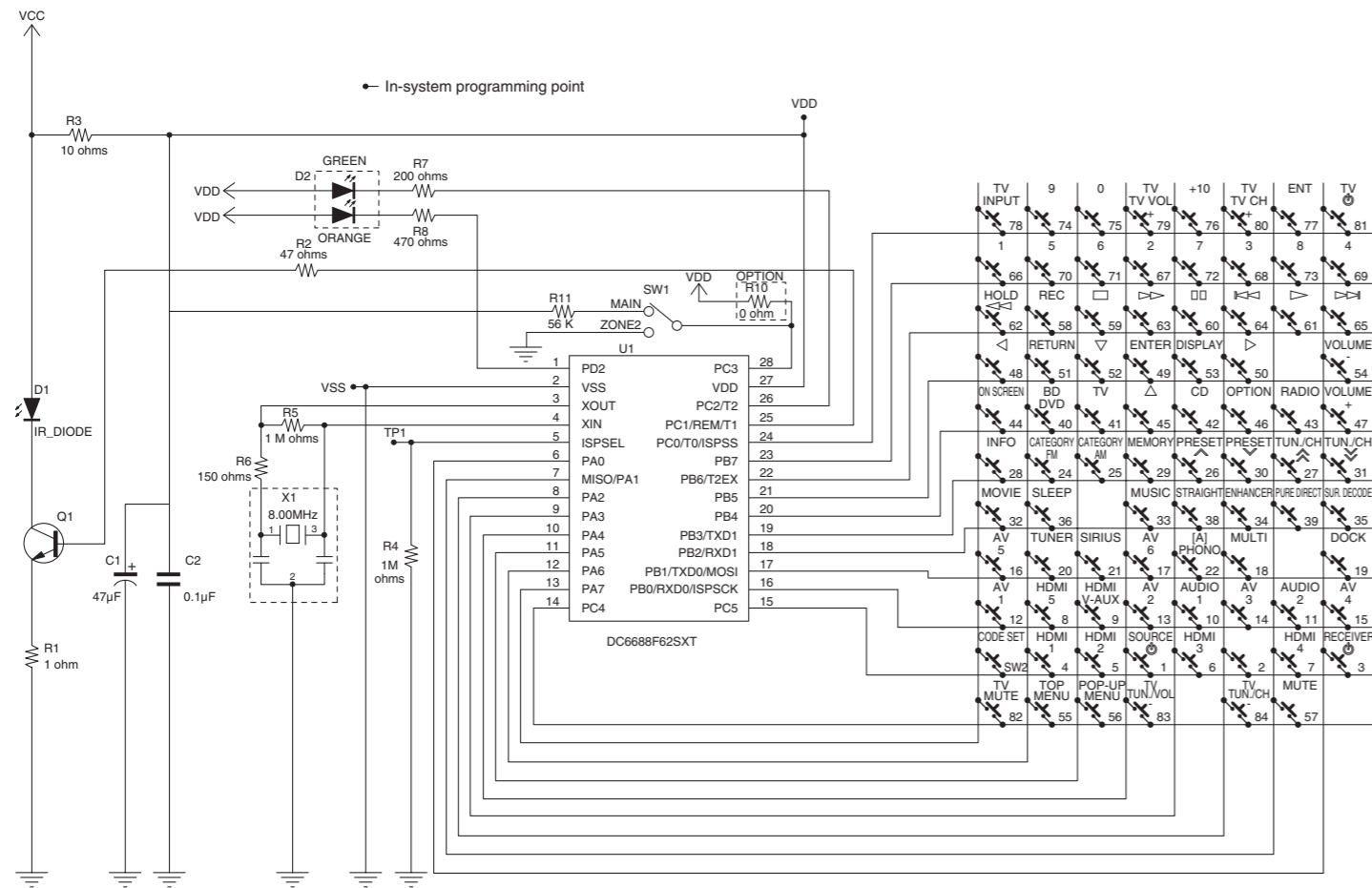
* New Parts

REMOTE CONTROL

- RAV336: U model / RAV337: C model / RAV338: R, T, K, A, B, G, F, L models

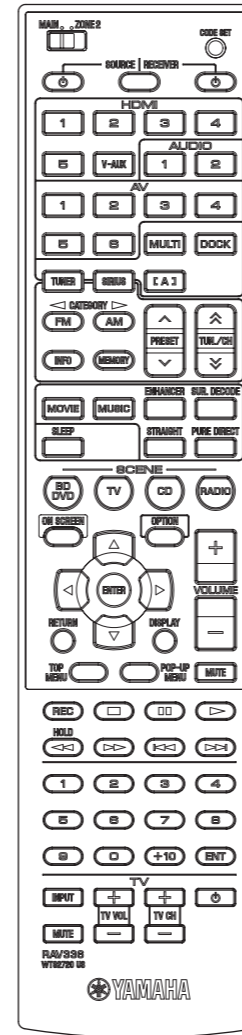
SCHEMATIC DIAGRAM

RAV336/RAV337/RAV338

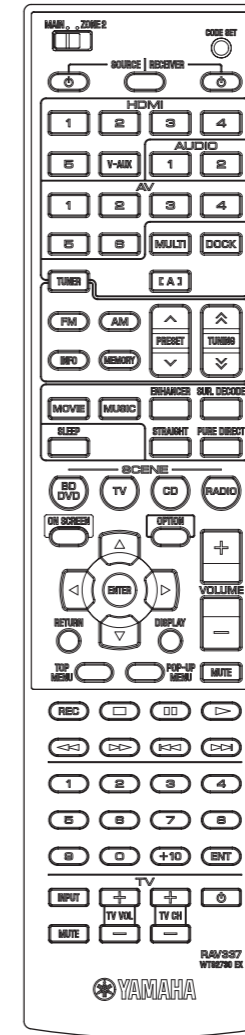


PANELS

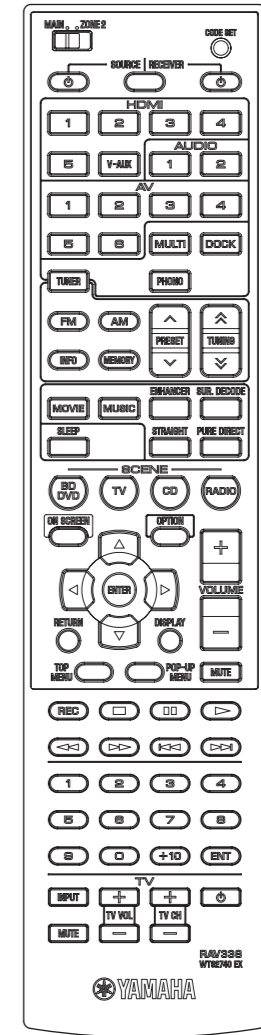
RAV336
(U model)



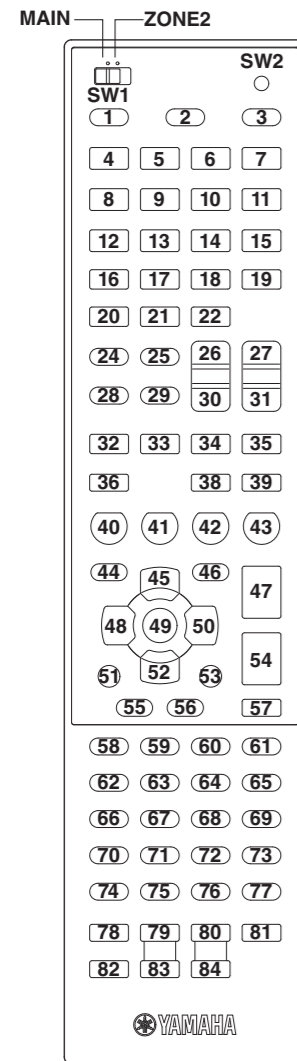
RAV337
(C model)



RAV338
(R, T, K, A, B, G, F, L models)



KEY NO. LAYOUT



KEY CODE

Key No.	FUNCTION	ID-1		ID-2		
		MAIN	ZONE2	MAIN	ZONE2	
SW1	MAIN/ZONE2	[MAIN]	[ZONE2]	[MAIN]	[ZONE2]	
LED1	-	-	-	-	-	
SW2	CODE SET	-	-	-	-	
K2	SOURCE/RECEIVER	* select RCU mode "SOURCE" or "RECEIVER"				
RECEIVER (mode fixed)	K3	⏻ (RECEIVER)	7E-2A	7A-453A	7E-2AD4	7A-453B
	K4	HDMI-1	7A-4738	7A-4837	7A-4739	7A-4836
	K5	HDMI-2	7A-4A35	7A-4B34	7A-4A34	7A-4B35
	K6	HDMI-3	7A-4D32	7A-4E31	7A-4D33	7A-4E30
	K7	HDMI-4	7A-502F	7A-512E	7A-502E	7A-512F
	K8	HDMI-5	7A-700F	7A-710E	7A-700E	7A-710F
	K9	V-AUX	7A-730C	7A-740B	7A-730D	7A-740A
	K10	AUDIO-1	7A-651A	7A-6619	7A-651B	7A-6618
	K11	AUDIO-2	7A-6817	7A-6916	7A-6816	7A-6917
	K12	AV-1	7A-532C	7A-542B	7A-532D	7A-542A
	K13	AV-2	7A-5629	7A-5728	7A-5628	7A-5729
	K14	AV-3	7A-5926	7A-5A25	7A-5927	7A-5A24
	K15	AV-4	7A-5C23	7A-5D22	7A-5C22	7A-5D23
	K16	AV-5	7A-5F20	7A-601F	7A-5F21	7A-601E
	K17	AV-6	7A-621D	7A-631C	7A-621C	7A-631D
	K18	MULTI	7A-87	-	7A-8779	-
	K19	DOCK	7F01-4A	7F01-4B	7F01-4AB4	7F01-4BB5
	K20	TUNER	7A-16	7A-D2	7A-16E8	7A-D22C
	K21	SIRIUS (RAV336)	7A-39	7A-3A	7A-39C7	7A-3AC4
		[A] (RAV336, 337) PHONO (RAV338)	7A-14	7A-D0	7A-14EA	7A-D02E
	K36	SLEEP	7A-30	7A-31	7A-30CE	7A-31CF
	K24	FM/CATEGORY (-) (RAV336)	7F01-5827	7F01-5926	7F01-5826	7F01-5927
		FM (RAV337, 338)				
	K25	AM/CATEGORY (+) (RAV336)	7F01-552A	7F01-5629	7F01-552B	7F01-5628
		AM (RAV337, 338)				
	K26	PRESET ^	7F01-5B24	7F01-5C23	7F01-5B25	7F01-5C22
	K27	TUNING/CH ⤴ (RAV336)	7F01-611E	7F01-621D	7F01-611F	7F01-621C
		TUNING ⤴ (RAV337, 338)				
	K28	INFO	7A-2758	7A-2857	7A-2759	7A-2856
	K29	MEMORY	7F01-6718	7F01-6817	7F01-6719	7F01-6816
	K30	PRESET v	7F01-5E21	7F01-5F20	7F01-5E20	7F01-5F21
	K31	TUNING/CH ⤵ (RAV336)	7F01-641B	7F01-651A	7F01-641A	7F01-651B
		TUNING ⤵ (RAV337, 338)				
	K32	MOVIE	7A-88	-	7A-8876	-
K33	MUSIC	7A-89	-	7A-8977	-	
K34	ENHANCER	7A-94	-	7A-946A	-	
K35	SUR. DECODE	7A-8D	-	7A-8D73	-	
K38	STRAIGHT	7A-56	-	7A-56A8	-	
K39	PURE DIRECT	7A-DD	-	7A-DD23	-	
K40	BD/DVD (SCENE)	7A-007F	7A-017E	7A-007E	7A-017F	
K41	TV (SCENE)	7A-037C	7A-047B	7A-037D	7A-047A	
K42	CD (SCENE)	7A-0679	7A-0778	7A-0678	7A-0779	
K43	RADIO (SCENE)	7A-0976	7A-0A75	7A-0977	7A-0A74	
K44	ON SCREEN	7A-84	-	7A-847A	-	
K46	OPTION	7A-6B14	-	7A-6B15	-	
K47	VOLUME (+)	7A-1A	7A-DA	7A-1AE4	7A-DA24	
K54	VOLUME (-)	7A-1B	7A-DB	7A-1BE5	7A-DB25	
K57	MUTE	7A-1C	7A-DC	7A-1CE2	7A-DC22	

Key No.	FUNCTION	ID-1		ID-2		
		MAIN	ZONE2	MAIN	ZONE2	
SOURCE/RCVR	K45	▲ (UP)	7A-9D	7A-2B54	7A-9D63	7A-2B55
	K48	◀ (LEFT)	7A-9F	7A-2D52	7A-9F61	7A-2D53
	K49	ENTER	7A-DE	7A-2F50	7A-DE20	7A-2F51
	K50	▶ (RIGHT)	7A-9E	7A-2E51	7A-9E60	7A-2E50
	K51	RETURN	7A-AA	7A-3C43	7A-AA54	7A-3C42
	K52	▼ (DOWN)	7A-9C	7A-2C53	7A-9C62	7A-2C52
	K53	DISPLAY	7F01-60	7F01-80	7F01-609E	7F01-807E
	K58	REC	7F01-66	7F01-86	7F01-6698	7F01-8678
	K59	■ (STOP)	7F01-69	7F01-89	7F01-6997	7F01-8977
	K60	■ (PAUSE)	7F01-67	7F01-87	7F01-6799	7F01-8779
	K61	▶ (PLAY)	7F01-68	7F01-88	7F01-6896	7F01-8876
	K62	◀◀ REW / HOLD (RAV336)	7F01-6A	7F01-8A	7F01-6A94	7F01-8A74
		◀◀ REW (RAV337, 338)				
	K63	▶▶ (FF)	7F01-6B	7F01-8B	7F01-6B95	7F01-8B75
	K64	◀◀ (SKIP -)	7F01-6C	7F01-8C	7F01-6C92	7F01-8C72
	K65	▶▶ (SKIP +)	7F01-6D	7F01-8D	7F01-6D93	7F01-8D73
	K66	1	7F01-51	7F01-71	7F01-51AF	7F01-718F
	K67	2	7F01-52	7F01-72	7F01-52AC	7F01-728C
	K68	3	7F01-53	7F01-73	7F01-53AD	7F01-738D
	K69	4	7F01-54	7F01-74	7F01-54AA	7F01-748A
	K70	5	7F01-55	7F01-75	7F01-55AB	7F01-758B
	K71	6	7F01-56	7F01-76	7F01-56A8	7F01-7688
	K72	7	7F01-57	7F01-77	7F01-57A9	7F01-7789
	K73	8	7F01-58	7F01-78	7F01-58A6	7F01-7886
	K74	9	7F01-59	7F01-79	7F01-59A7	7F01-7987
	K75	0	7F01-5A	7F01-7A	7F01-5AA4	7F01-7A84
	K76	+10	7F01-5B	7F01-7B	7F01-5BA5	7F01-7B85
K77	ENT	7F01-5C	7F01-7C	7F01-5CA2	7F01-7C82	
SOURCE (mode fixed)	K1	⏻ (SOURCE)	SOURCE			
	K55	TOP MENU	SOURCE			
			* switch RCU to "SOURCE" mode			
	K56	POP-UP MENU	SOURCE			
			* switch RCU to "SOURCE" mode			
	K78	TV INPUT	SOURCE (TV)			
	K79	TV VOL (+)				
	K80	TV CH (+)				
K81	TV ⏻					
K82	TV MUTE					
K83	TV VOL (-)					
K84	TV CH (-)					

* K81: able to preset the code (only from TV library) in K78/K79/K80/K81/K82/K83/K84.

FUNCTION CODE

Key No.	BD				DVD				DVR				LD				CD				CD-R				MD			
	Brand	Yamaha-1	Yamaha-2	****	Brand	Yamaha-1	Yamaha-2	Yamaha-3	T	Brand	Yamaha	Brand	Yamaha	Brand	Yamaha-1	Yamaha-2	Brand	Yamaha	Brand	Yamaha-1	Yamaha-2	Brand	Yamaha-1	Yamaha-2	Yamaha-3			
Function	Code	Code	Code	Function	Code	Code	Code	Code	Function	Code	Function	Code	Function	Code	Code	Function	Code	Function	Code	Function	Code	Function	Code	Code	Code			
K45	UP	7C-B4	7C-B44A	UP	7C-B4	2002 B0 00 85 35	004.088	45B5 80	MENU UP	048.088	-	-	-	-	-	-	-	-	-	-	-	-	-	-	-			
K48	LEFT	7C-B5	7C-B54B	LEFT	7C-B5	2002 B0 00 87 37	004.090	45B5 51	MENU LEFT	048.090	-	-	-	-	-	-	-	-	-	-	-	-	-	-	-			
K49	ENTER	7C-B8	7C-B84E	ENTER	7C-B8	2002 B0 00 82 32	004.092	45B5 21	MENU ENTER	048.092	-	-	-	-	-	-	-	-	-	-	-	-	-	-	-			
K50	RIGHT	7C-B6	7C-B648	RIGHT	7C-B6	2002 B0 00 88 38	004.091	45B5 4D	MENU RIGHT	048.091	-	-	-	-	-	-	-	-	-	-	-	-	-	-	-			
K51	RETURN	7C-B7	7C-B749	RETURN	7C-B7	2002 B0 00 81 31	004.131	45B5 22	RETURN	048.131	-	-	-	-	-	-	-	-	-	-	-	-	-	-	-			
K52	DOWN	7C-B3	7C-B34D	DOWN	7C-B3	2002 B0 00 86 36	004.089	45B5 81	MENU DOWN	048.089	-	-	-	-	-	-	-	-	-	-	-	-	-	-	-			
K53	DISPLAY	7C-A6	7C-A658	DISPLAY	7C-A6	2002 B0 00 92 22	004.015	45B5 26	DISPLAY	048.015	DISPLAY	7C-13	DISPLAY	79-0A	79-0A	DISPLAY	7F-9E	DISPLAY	79-A5	79-A5	180F	-	-	-	-			
K1	⊕ (SOURCE)	7C-80	7C-807E	⊕ (SOURCE)	7C-80	2002 B0 00 3D 8D	004.012	45B5 12	⊕ (SOURCE)	048.012	⊕ (SOURCE)	-	⊕ (SOURCE)	79-60	79-60	⊕ (SOURCE)	7F-80	⊕ (SOURCE)	-	79-B5	150F	-	-	-	-			
K55	TOP MENU	7C-B1	7C-B14F	TOP MENU	7C-B1	2002 B0 00 9B 2B	004.113	45B5 DE	TITLE	048.200	-	-	-	-	-	-	-	-	-	-	-	-	-	-	-			
K56	POP-UP MENU	7C-CF	7C-CF31	MENU	7C-B2	2002 B0 00 80 30	004.084	45B5 84	MENU	048.084	-	-	-	-	-	-	-	-	-	-	-	-	-	-	-			
K58	DISC SKIP	7C-8B	7C-8B75	DISC SKIP	7C-8B	-	004.127	??	REC	048.055	-	-	DISC SKIP	7A-4F	79-4F	REC	-	REC	79-AF	79-B1	2D0F	-	-	-	-			
K59	STOP	7C-85	7C-857B	STOP	7C-85	2002 B0 00 00 00	004.049	45B5 14	STOP	048.049	STOP	7C-5B	STOP	7A-09	79-56	STOP	7F-84	STOP	79-AA	79-AA	280F	-	-	-	-			
K60	PAUSE	7C-83	7C-837D	PAUSE	7C-83	2002 B0 00 06 B6	004.048	45B5 00	PAUSE	048.048	PAUSE	7C-5A	PAUSE	7A-09	79-55	PAUSE	7F-83	PAUSE	79-A9	79-A9	290F	-	-	-	-			
K61	PLAY	7C-82	7C-827C	PLAY	7C-82	2002 B0 00 0A BA	004.044	45B5 15	PLAY	048.044	PLAY	7C-05	PLAY	7A-08	79-02	PLAY	7F-82	PLAY	79-A8	79-A8	2A0F	-	-	-	-			
K62	REW	7C-86	7C-8678	REW	7C-86	2002 B0 00 04 B4	004.041	45B5 19	REW	048.041	REW	7C-06	REW	7A-0D	79-05	REW	7F-88	REW	79-AC	79-AC	2B0F	-	-	-	-			
K63	FF	7C-87	7C-8779	FF	7C-87	2002 B0 00 05 B5	004.040	45B5 13	FF	048.040	FF	7C-07	FF	7A-0C	79-06	FF	7F-89	FF	79-AD	79-AD	2C0F	-	-	-	-			
K64	SKIP (-)	7C-B9	7C-B947	SKIP (-)	7C-B9	2002 B0 00 49 F9	004.033	45B5 23	SKIP (-)	048.033	CHAP/SKIP (-)	7C-02	SKIP (-)	7A-0B	79-04	SKIP (-)	7F-86	SKIP (-)	79-AB	79-AB	200F	-	-	-	-			
K65	SKIP (+)	7C-BA	7C-BA44	SKIP (+)	7C-BA	2002 B0 00 4A FA	004.032	45B5 24	SKIP (+)	048.032	CHAP/SKIP (+)	7C-03	SKIP (+)	7A-0A	79-07	SKIP (+)	7F-87	SKIP (+)	79-AE	79-AE	210F	-	-	-	-			
K66	1	7C-94	7C-946A	1	7C-94	2002 B0 00 10 A0	004.001	45B5 01	1	048.001	1	7C-17	1	79-11	79-11	1	7F-91	1	79-85	79-B7	000F	-	-	-	-			
K67	2	7C-95	7C-956B	2	7C-95	2002 B0 00 11 A1	004.002	45B5 02	2	048.002	2	7C-18	2	79-12	79-12	2	7F-92	2	79-86	79-B8	010F	-	-	-	-			
K68	3	7C-96	7C-9668	3	7C-96	2002 B0 00 12 A2	004.003	45B5 03	3	048.003	3	7C-19	3	79-13	79-13	3	7F-93	3	79-87	79-B9	020F	-	-	-	-			
K69	4	7C-97	7C-9769	4	7C-97	2002 B0 00 13 A3	004.004	45B5 04	4	048.004	4	7C-1A	4	79-14	79-14	4	7F-94	4	79-88	79-BA	030F	-	-	-	-			
K70	5	7C-98	7C-9866	5	7C-98	2002 B0 00 14 A4	004.005	45B5 05	5	048.005	5	7C-1B	5	79-15	79-15	5	7F-95	5	79-89	79-BB	040F	-	-	-	-			
K71	6	7C-99	7C-9967	6	7C-99	2002 B0 00 15 A5	004.006	45B5 06	6	048.006	6	7C-1C	6	79-16	79-16	6	7F-96	6	79-8A	79-BC	050F	-	-	-	-			
K72	7	7C-9A	7C-9A64	7	7C-9A	2002 B0 00 16 A6	004.007	45B5 07	7	048.007	7	7C-1D	7	79-17	79-17	7	7F-97	7	79-8B	79-BD	060F	-	-	-	-			
K73	8	7C-9B	7C-9B65	8	7C-9B	2002 B0 00 17 A7	004.008	45B5 08	8	048.008	8	7C-1E	8	79-18	79-18	8	7F-98	8	79-8C	79-BE	070F	-	-	-	-			
K74	9	7C-9C	7C-9C62	9	7C-9C	2002 B0 00 18 A8	004.009	45B5 09	9	048.009	9	7C-1F	9	79-19	79-19	9	7F-99	9	79-8D	79-BF	080F	-	-	-	-			
K75	0	7C-93	7C-936D	0	7C-93	2002 B0 00 19 A9	004.000	45B5 0A	0	048.000	0	7C-16	0/10	79-10	79-10	0	7F-90	0	79-8E	79-C0	090F	-	-	-	-			
K76	+10	7C-9D	7C-9D63	+10	7C-9D	2002 B0 00 89 39	004.120	45B5 25	+10	-	+10	7C-5D	+10	79-1A	79-1A	+10	7F-9A	+10	79-8F	79-8F	0A0F	-	-	-	-			
K77	TITLE/INDEX	7C-9E	7C-9E60	TITLE/INDEX	7C-9E	-	-	45B5 20	TITLE/INDEX	-	CHAP/TIME	7C-15	INDEX	79-0B	79-0B	INDEX	7F-8A	INDEX	-	-	-	-	-	-	-			
K78	TV- INPUT	(TV INPUT)	TV- INPUT	(TV INPUT)	(TV INPUT)	(TV INPUT)	(TV INPUT)	(TV INPUT)	TV- INPUT	(TV INPUT)	TV- INPUT	(TV INPUT)	TV- INPUT	(TV INPUT)	(TV INPUT)	TV- INPUT	(TV INPUT)	TV- INPUT	(TV INPUT)	(TV INPUT)	(TV INPUT)	(TV INPUT)	(TV INPUT)	(TV INPUT)	(TV INPUT)			
K79	TV- VOL (+)	(TV VOL +)	TV- VOL (+)	(TV VOL +)	(TV VOL +)	(TV VOL +)	(TV VOL +)	(TV VOL +)	TV- VOL (+)	(TV VOL +)	TV- VOL (+)	(TV VOL +)	TV- VOL (+)	(TV VOL +)	(TV VOL +)	TV- VOL (+)	(TV VOL +)	TV- VOL (+)	(TV VOL +)	(TV VOL +)	(TV VOL +)	(TV VOL +)	(TV VOL +)	(TV VOL +)	(TV VOL +)			
K80	TV- CH (+)	(TV CH +)	TV- CH (+)	(TV CH +)	(TV CH +)	(TV CH +)	(TV CH +)	(TV CH +)	TV- CH (+)	(TV CH +)	TV- CH (+)	(TV CH +)	TV- CH (+)	(TV CH +)	(TV CH +)	TV- CH (+)	(TV CH +)	TV- CH (+)	(TV CH +)	(TV CH +)	(TV CH +)	(TV CH +)	(TV CH +)	(TV CH +)	(TV CH +)			
K81	TV- ⓪	(TV- ⓪)	TV- ⓪	(TV- ⓪)	(TV- ⓪)	(TV- ⓪)	(TV- ⓪)	(TV- ⓪)	TV- ⓪	(TV- ⓪)	TV- ⓪	(TV- ⓪)	TV- ⓪	(TV- ⓪)	(TV- ⓪)	TV- ⓪	(TV- ⓪)	TV- ⓪	(TV- ⓪)	(TV- ⓪)	(TV- ⓪)	(TV- ⓪)	(TV- ⓪)	(TV- ⓪)	(TV- ⓪)			
K82	TV- MUTE	(TV MUTE)	TV- MUTE	(TV MUTE)	(TV MUTE)	(TV MUTE)	(TV MUTE)	(TV MUTE)	TV- MUTE	(TV MUTE)	TV- MUTE	(TV MUTE)	TV- MUTE	(TV MUTE)	(TV MUTE)	TV- MUTE	(TV MUTE)	TV- MUTE	(TV MUTE)	(TV MUTE)	(TV MUTE)	(TV MUTE)	(TV MUTE)	(TV MUTE)	(TV MUTE)			
K83	TV- VOL (-)	(TV VOL -)	TV- VOL (-)	(TV VOL -)	(TV VOL -)	(TV VOL -)	(TV VOL -)	(TV VOL -)	TV- VOL (-)	(TV VOL -)	TV- VOL (-)	(TV VOL -)	TV- VOL (-)	(TV VOL -)	(TV VOL -)	TV- VOL (-)	(TV VOL -)	TV- VOL (-)	(TV VOL -)	(TV VOL -)	(TV VOL -)	(TV VOL -)	(TV VOL -)	(TV VOL -)	(TV VOL -)			
K84	TV- CH (-)	(TV CH -)	TV- CH (-)	(TV CH -)	(TV CH -)	(TV CH -)	(TV CH -)	(TV CH -)	TV- CH (-)	(TV CH -)	TV- CH (-)	(TV CH -)	TV- CH (-)	(TV CH -)	(TV CH -)	TV- CH (-)	(TV CH -)	TV- CH (-)	(TV CH -)	(TV CH -)	(TV CH -)	(TV CH -)	(TV CH -)	(TV CH -)	(TV CH -)			

key No.	TUNER														TAPE				TV												
	Brand	Yamaha-2	Yamaha-3	Yamaha-4	Yamaha-5	Yamaha-6	Yamaha-7	Yamaha-14	Yamaha-11	Yamaha-12	Brand	Yamaha-8	Yamaha-15	Yamaha-13	Yamaha-16	Brand	Yamaha-9	Yamaha-10	Brand	Yamaha-1	Yamaha-2	Brand	Yamaha-1	Yamaha-3	Yamaha-4	Yamaha-5					
Function	Code	Code	Code	Code	Code	Code	Code	Code	Code	Function	Code	Code	Code	Code	Function	Code	Code	Function	Code	Code	Function	Code	Code	Code	Code	Code					
K45	PRESET (+)	7A-10	7A-10	7D-F5	7A-6A	7D-31	7F01-0E	7F01-0E	7A-6A94	7A-10EE	UP	7F01-2E	7F01-2E	7F01-2E00	7F01-2E00	UP	7F01-E1	7F01-E1F	-	-	-	-	-	-	MENU UP	D1CC	D16C	5070	01 111 0 01 0EE 1	F082	
K48	A-E/CAT. (-)	-	7A-AC	7D-BB	7A-6E	7D-35	7F01-10	7F01-10EE	7A-6E90	7A-AC52	LEFT	7F01-30	7F01-30	7F01-30CE	7F01-30CE	LEFT	7F01-E2	7F01-E21C	-	-	-	-	-	-	MENU LEFT	D1CE	D16E	5073	01 115 0 01 0EA 1	F080	
K49	ENTER	-	7A-AD	7D-BC	7A-6F	7D-36	7F01-11	7F01-11EF	7A-6F91	7A-AD53	ENTER	7F01-31	7F01-31	7F01-31CF	7F01-31CF	ENTER	7F01-E3	7F01-E31D	-	-	-	-	-	-	MENU ENTER	D1D0	D170	5033	01 15F 0 01 0A0 1	F087	
K50	A-E/CAT. (+)	D1-0D	7A-12	7D-F7	7A-6C	7D-33	7F01-12	7F01-12EC	7A-6C92	7A-12EC	RIGHT	7F01-32	7F01-32	7F01-32CC	7F01-32CC	RIGHT	7F01-E4	7F01-E41A	-	-	-	-	-	-	MENU RIGHT	D1CF	D16F	5072	01 114 0 01 0EB 1	F081	
K51	MEMORY	-	7A-AF	7D-BE	7A-71	7D-38	7F01-13	7F01-13ED	7A-718F	7A-AF51	RETURN	7F01-33	7F01-33	7F01-33CD	7F01-33CD	MEMORY	7F01-DF	7F01-DF21	-	-	-	-	-	-	-	RETURN	D1D5	D175	500A	01 12F 0 01 0D0 1	-
K52	PRESET (-)	7A-11	7A-11	7D-F6	7A-6B	7D-32	7F01-14	7F01-14EA	7A-6B95	7A-11EF	DOWN	7F01-34	7F01-34	7F01-34CA	7F01-34CA	DOWN	7F01-E5	7F01-E51B	-	-	-	-	-	-	MENU DOWN	D1CD	D16D	5071	01 112 0 01 0ED 1	F083	
K53	DISPLAY	-	7A-B0	7D-BF	7A-72	7D-39	7F01-15	7F01-15EB	7A-728C	7A-B04E	DISPLAY																				

■ ADVANCED SETUP

- U model

The Advanced Setup menu can be used for unit initialization and other useful extended functions. The Advanced Setup menu can be operated as follows.

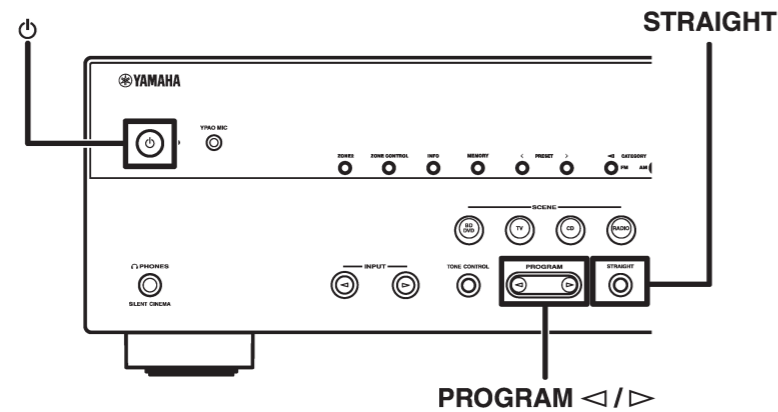
Displaying/Setting the Advanced Setup menu

1 Switch this unit to the standby mode.

2 Press  while pressing and holding **STRAIGHT** on the front panel.

Release **STRAIGHT** when “ADVANCED SETUP” is displayed on the front panel display.

After approximately a few seconds, the top menu items are displayed.



3 Use **PROGRAM**   to select the item to be set from the following items.

In the Advanced Setup menu, you can set the following settings.

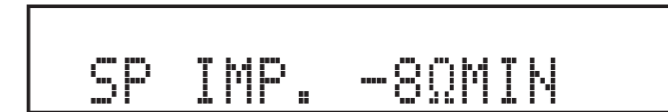
SP IMP.	Sets the impedance of speakers.
REMOTE ID	Changes the remote control ID of a receiver.
SR PIN	Resets the parental lock code for the SIRIUS Satellite Radio tuner.
TV FORMAT	Specifies the TV's color encoding format.
MON.CHK	Removes the up-scaling limitation on HDMI video output.
INIT	Initializes various settings for this unit.

4 Press **STRAIGHT** repeatedly to select the value you want to change.

5 Switch this unit to the standby mode, and then switch it on again.


The settings become effective and the unit is powered on. If initialization is selected, it will be performed when the unit is powered on again.

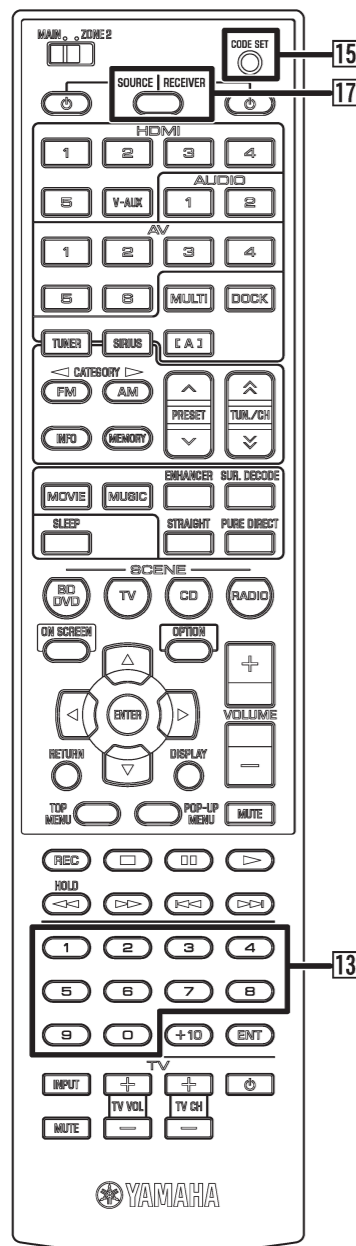
Setting the impedance of speakers



Changes the unit settings depending on the impedance of the speakers connected.  **1**

6ΩMIN	Select the impedance when 6Ω speakers are connected.
8ΩMIN (Default)	Select the impedance when speakers above 8Ω are connected.

 **1** : For detailed procedures of speaker impedance settings, refer to “Changing speaker impedance”.



- 13 Numeric keys
- 15 CODE SET
- 17 SOURCE/RECEIVER

Avoiding crossing remote control signals when using multiple Yamaha receivers



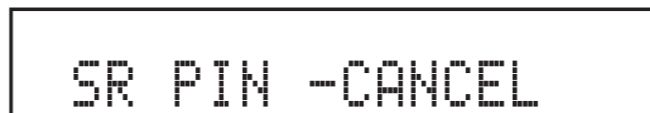
The remote control of the unit can only receive signals from a receiver which has an identical ID (remote control ID). When using multiple Yamaha AV receivers, you can set each remote control with a unique remote control ID for its corresponding receiver.

On the contrary, if you are setting the same remote control ID for all receivers, you can use one remote control to operate 2 receivers.

ID1 (Default)	Receives the remote control signals set in ID1.
ID2	Receives the remote control signals set in ID2.

ID1 is set for both remote control and receiver by default. To avoid crossing remote control, change the remote control ID for both remote control and receiver.

Resetting the SIRIUS Satellite Radio™ parental lock code



Reset the SIRIUS Satellite Radio parental lock code to the factory default setting.

RESET	Resets the code to the factory default setting.
CANCEL (Default)	Cancels resetting of the parental lock code.

■ To change the remote control ID

Perform each of the following steps within 1 minute. Settings will be automatically stopped if more than 1 minute passes since the last operation. To reset, repeat from step 1.

- 1 Press **15**CODE SET on the remote control using a pointed object such as the tip of a ballpoint pen.
- 2 Press **17**SOURCE/RECEIVER on the remote control.
- 3 Enter the desired remote control ID code.

To switch to ID1:

Enter “5019” using **13**Numeric keys.

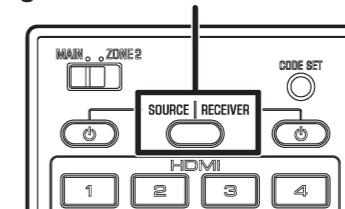
To switch to ID2:

Enter “5020” using **13**Numeric keys.

Once the remote control code is registered successfully

17SOURCE/RECEIVER will blink twice.

Registration successful: blinks twice
Registration failed: blinks 6 times



- If setup fails, repeat from step 1.
- Returns to ID1 after the remote control code is initialized.

Changing TV format

TV FORMAT-NTSC

Change the color encoding format to PAL or NTSC (default), to match the format used by the TV connected via the HDMI OUT or VIDEO (MONITOR OUT) jack.

Removing HDMI video output up-scaling limits

MON. CHK - YES

Removes the up-scaling limitation on video resolution when this unit and a TV are connected via HDMI jacks.

If a resolution supported by the monitor cannot be detected when configuring the up-scaling settings, this setting will remove the output limitation.

YES (Default)	Video output signals of a resolution not supported by the TV will not be transmitted.
SKIP	This unit ignores the TV's support capability and transmits input video signals to the TV.

Initializing various settings for this unit

INIT- CANCEL

Initializes various settings stored in this unit and sets it back to default.

Select the items to be initialized from the following.

DSP PARAM	Initializes all parameters for the sound programs.
VIDEO	Resets video conversion settings (resolution/aspect ratio) in the Setup menu.
ALL	Resets this unit to default factory settings.
CANCEL (Default)	Does not initialize.

- C, R, T, K, A, B, G, f, L models

The Advanced Setup menu can be used for unit initialization and other useful extended functions. The Advanced Setup menu can be operated as follows.

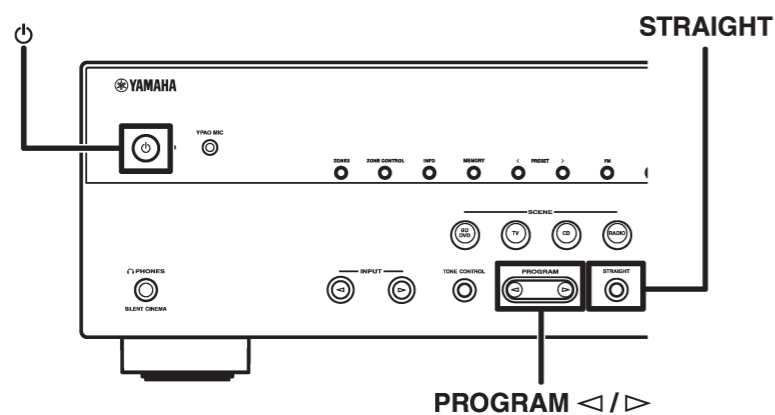
Displaying/Setting the Advanced Setup menu



1 Switch this unit to the standby mode.

2 Press  while pressing and holding **STRAIGHT** on the front panel.

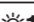
Release **STRAIGHT** when “ADVANCED SETUP” is displayed on the front panel display.

After approximately a few seconds, the top menu items are displayed.



3 Use **PROGRAM**   to select the item to be set from the following items.

In the Advanced Setup menu, you can set the following settings.

SP IMP.	Sets the impedance of speakers.
REMOTE ID	Changes the remote control ID of a receiver.
TV FORMAT	Specifies the TV's color encoding format.
MON.CHK	Removes the up-scaling limitation on HDMI video output.
TU  1	Selects one of the following FM/AM frequency steps.
INIT	Initializes various settings for this unit.


4 Press **STRAIGHT** repeatedly to select the value you want to change.

5 Switch this unit to the standby mode, and then switch it on again.

The settings become effective and the unit is powered on. If initialization is selected, it will be performed when the unit is powered on again.


Setting the impedance of speakers

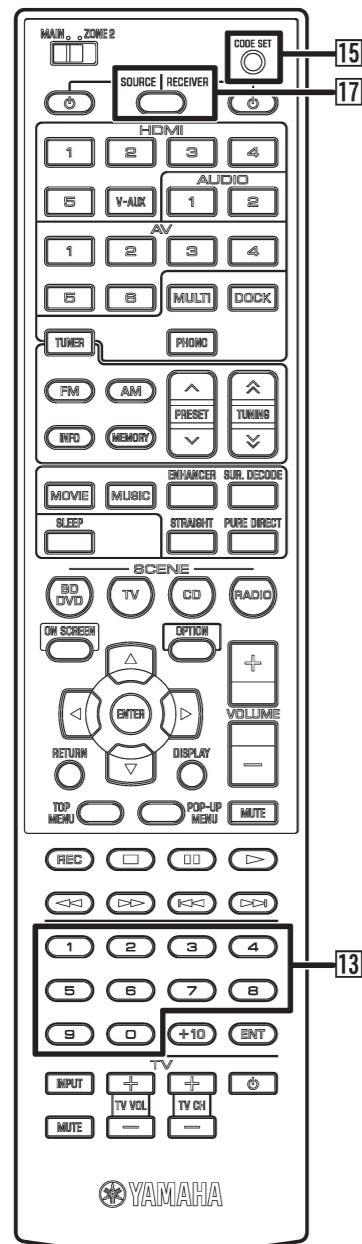
SP IMP. -8ΩMIN

Changes the unit settings depending on the impedance of the speakers connected.  2

6ΩMIN	Select the impedance when 6Ω speakers are connected.
8ΩMIN (Default)	Select the impedance when speakers above 8Ω are connected.

 1 : Asia and General models only.

 2 : For detailed procedures of speaker impedance settings, refer to “Changing speaker impedance”.



- 13 Numeric keys
- 15 CODE SET
- 17 SOURCE/RECEIVER

Avoiding crossing remote control signals when using multiple Yamaha receivers

REMOTE ID -ID1

The remote control of the unit can only receive signals from a receiver which has an identical ID (remote control ID). When using multiple Yamaha AV receivers, you can set each remote control with a unique remote control ID for its corresponding receiver. On the contrary, if you are setting the same remote control ID for all receivers, you can use one remote control to operate 2 receivers.

ID1 (Default)	Receives the remote control signals set in ID1.
ID2	Receives the remote control signals set in ID2.

ID1 is set for both remote control and receiver by default. To avoid crossing remote control, change the remote control ID for both remote control and receiver.

To change the remote control ID

Perform each of the following steps within 1 minute. Settings will be automatically stopped if more than 1 minute passes since the last operation. To reset, repeat from step 1.

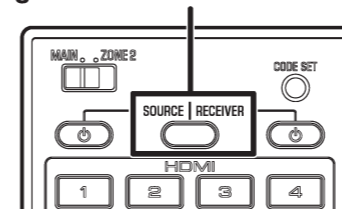
- 1 Press 15 CODE SET on the remote control using a pointed object such as the tip of a ballpoint pen.
- 2 Press 17 SOURCE/RECEIVER on the remote control.
- 3 Enter the desired remote control ID code.

To switch to ID1:
Enter "5019" using 13 Numeric keys.

To switch to ID2:
Enter "5020" using 13 Numeric keys.

Once the remote control code is registered successfully 17 SOURCE/RECEIVER will blink twice.

Registration successful: blinks twice
Registration failed: blinks 6 times



- If setup fails, repeat from step 1.
- Returns to ID1 after the remote control code is initialized.

Changing TV format

TV FORMAT-NTSC

Change the color encoding format of OSD to PAL or NTSC (default), to match the format used by the TV connected via the HDMI OUT or VIDEO (MONITOR OUT) jack.

Removing HDMI video output up-scaling limits


MON. CHK - YES

Removes the up-scaling limitation on video resolution when this unit and a TV are connected via HDMI jacks. If a resolution supported by the monitor cannot be detected when configuring the up-scaling settings, this setting will remove the output limitation.


YES (Default)	Video output signals of a resolution not supported by the TV will not be transmitted.
SKIP	This unit ignores the TV's support capability and transmits input video signals to the TV.

Changing FM/AM frequency steps (R, L models)

TU - AM9/FM50

You can select one of the following FM/AM frequency steps:  1

AM10/FM100	You can adjust the AM frequency by steps of 10kHz and FM by steps of 100kHz.
AM9/FM50 (Default)	You can adjust the AM frequency by steps of 9kHz and FM by steps of 50kHz.

 1 : For details on setting FM/AM frequency steps, refer to “FM/AM tuning”.

Initializing various settings for this unit

INIT- CANCEL

Initializes various settings stored in this unit and sets it back to default.

Select the items to be initialized from the following.

DSP PARAM	Initializes all parameters for the sound programs.
VIDEO	Resets video conversion settings (resolution/aspect ratio) in the Setup menu.
ALL	Resets this unit to default factory settings.
CANCEL (Default)	Does not initialize.

RX-V667/HTR-6063/ RX-A700

