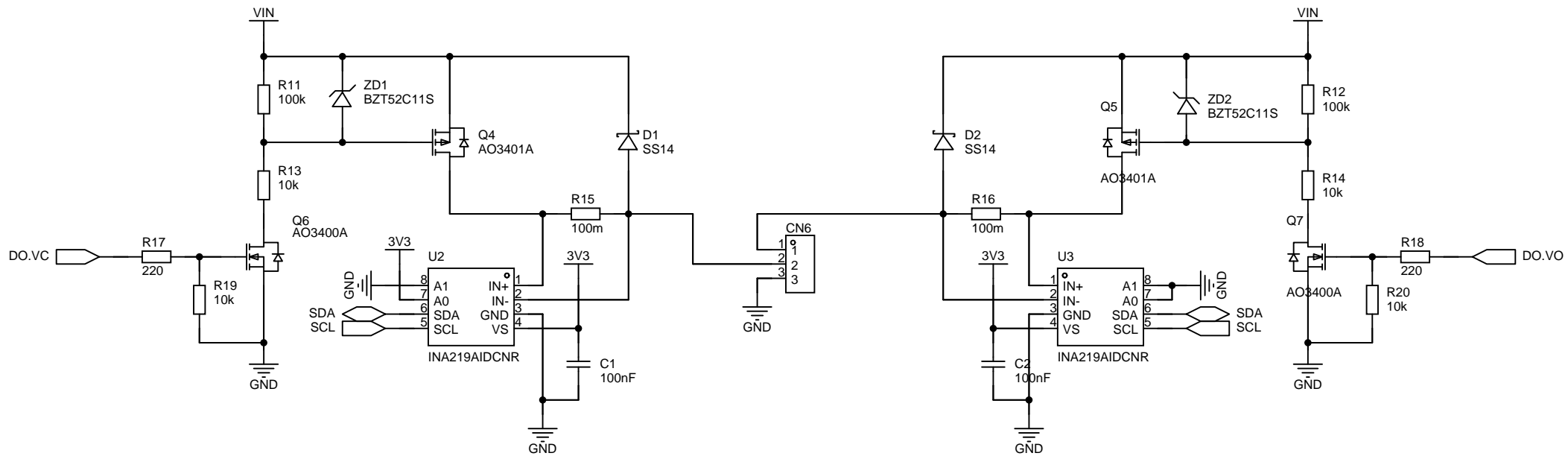
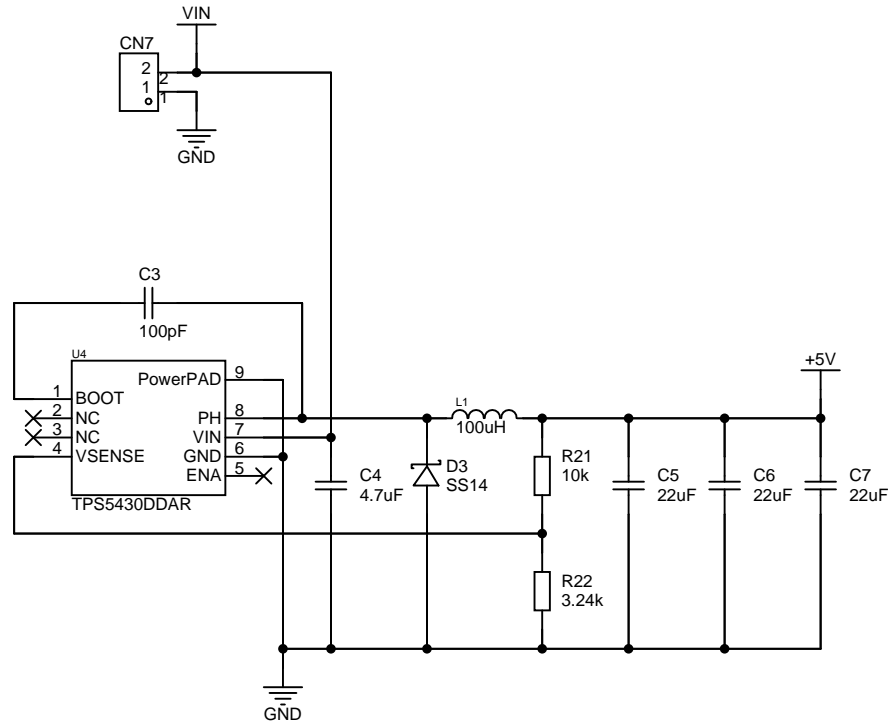


Schematic	ESP32 Valve/Cover Controller		Update Date	2024-01-24
			Create Date	2024-01-15
Page	MCU		Part Number	
Drawn	ESP32 Valve/Cover Controller			
Reviewed				
	VER	SIZE	PAGE	1 OF 3
	Rev. 1	A4		



Schematic	ESP32 Valve/Cover Controller		Update Date	2024-01-24		
			Create Date	2024-01-15		
Page	Valve		Part Number			
Drawn	ESP32 Valve/Cover Controller					
Reviewed						
	VER	SIZE	PAGE	2	OF	3
	Rev. 1	A4				



Schematic	ESP32 Valve/Cover Controller		Update Date	2024-01-24		
			Create Date	2024-01-16		
Page	Power Supply		Part Number			
Drawn			ESP32 Valve/Cover Controller			
Reviewed						
		VER	SIZE	PAGE	3	OF 3
		Rev. 1	A4			