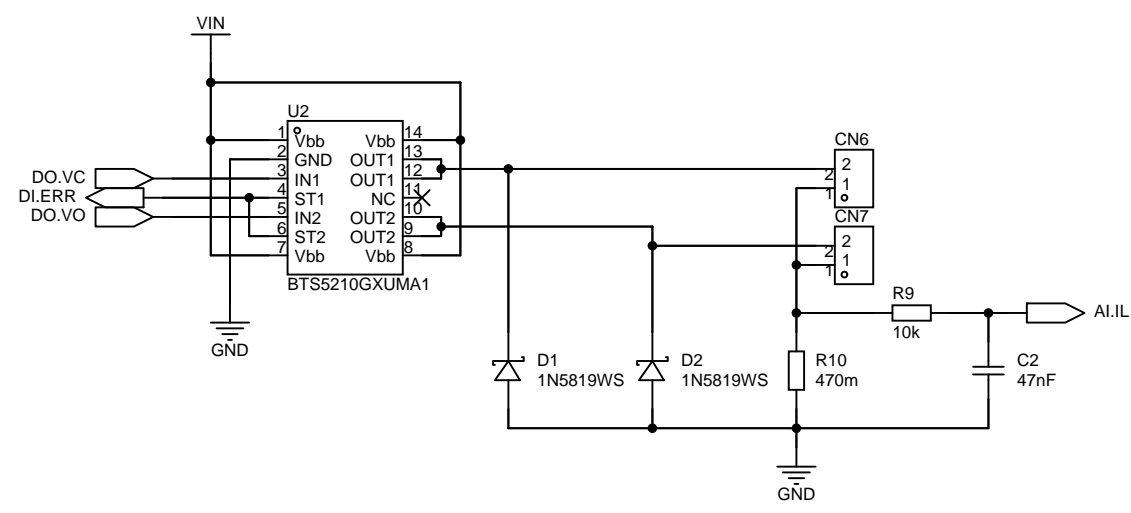
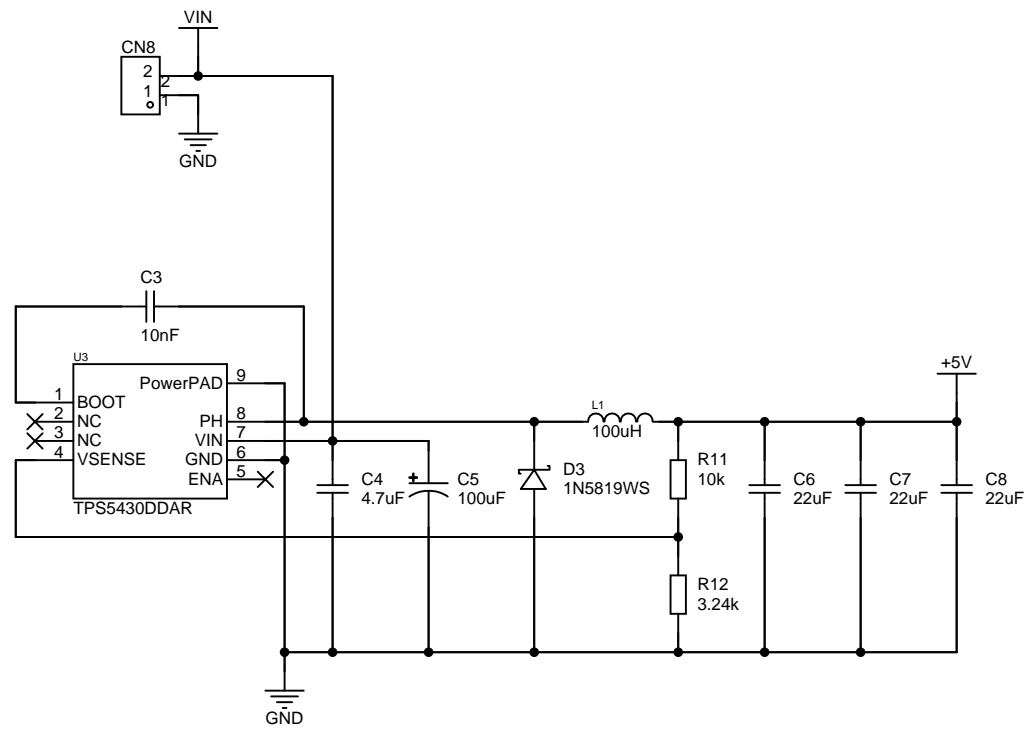


Schematic	ESP32 Valve/Cover Controller		Update Date	2024-02-19		
			Create Date	2024-02-19		
Page	MCU		Part Number			
Drawn	ESP32 Valve/Cover Controller rev 1					
Reviewed						
	VER	SIZE	PAGE	1	OF	3
	Rev. 1	A4				



Schematic	ESP32 Valve/Cover Controller		Update Date	2024-02-19
			Create Date	2024-02-19
Page	Valve		Part Number	
Drawn		ESP32 Valve/Cover Controller rev 1		
Reviewed				
		VER	SIZE	PAGE 2 OF 3
		Rev. 1	A4	



Schematic	ESP32 Valve/Cover Controller		Update Date	2024-02-19		
			Create Date	2024-02-19		
Page	Power Supply		Part Number			
Drawn		ESP32 Valve/Cover Controller rev 1				
Reviewed						
		VER	SIZE	PAGE	3	OF 3
		Rev. 1	A4			