

WINSTAR Display

OLED SPECIFICATION

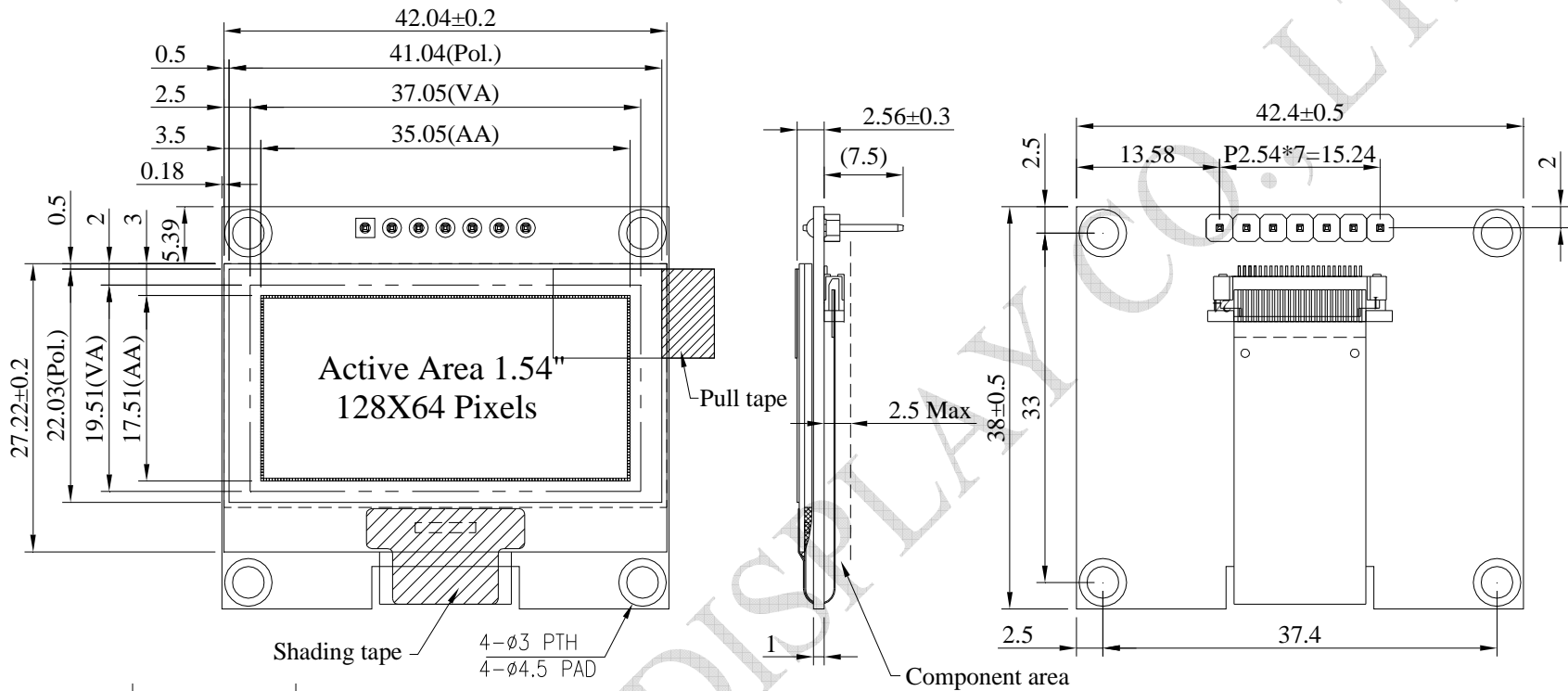
Model No:

WEA012864A

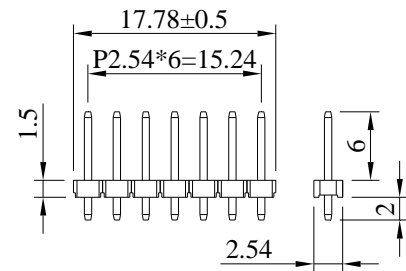
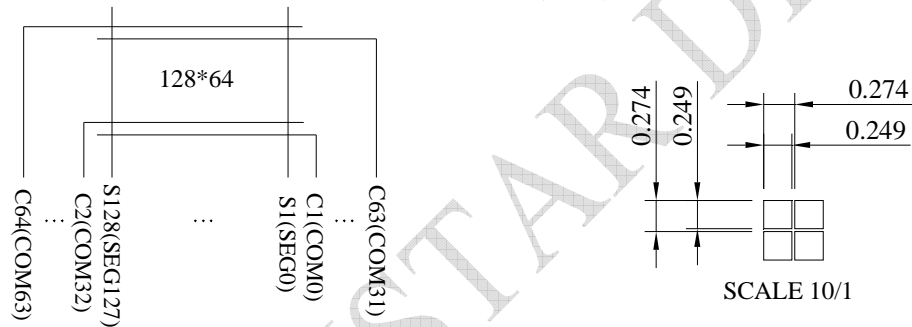
General Specification

Item	Dimension	Unit
Dot Matrix	128 x 64	—
Module dimension	42.4 × 38 × 2.56	mm
Active Area	35.05 × 17.51	mm
Pixel Size	0.249 × 0.249	mm
Pixel Pitch	0.274 × 0.274	mm
Display Mode	Passive Matrix	
Display Color	Monochrome	
Drive Duty	1/64 Duty	
IC	SSD1309	
Interface	4-wire SPI	
Size	1.54 inch	

Contour Drawing & Block Diagram



PIN	SYMBOL
1	GND
2	VCC
3	D0
4	D1
5	RES#
6	D/C#
7	CS#



The non-specified tolerance of dimension is ±0.3 mm .

Interface Pin Function

No.	Symbol	Function
1	GND	Ground pin.
2	VCC	Power supply pin for core logic operation.
3	D0	The serial clock input
4	D1	The serial data input
5	RES#	This pin is reset signal input. When the pin is pulled LOW, initialization of the chip is executed. Keep this pin pull HIGH during normal operation.
6	D/C#	This pin is Data/Command control pin connecting to the MCU. When the pin is pulled HIGH, the data at D1 will be interpreted as data. When the pin is pulled LOW, the data at D1 will be transferred to a command register.
7	CS#	This pin is the chip select input connecting to the MCU. The chip is enabled for MCU communication only when CS# is pulled LOW (active LOW).

Absolute Maximum Ratings

Parameter	Symbol	Min	Max	Unit
Supply Voltage for Display	VCC	2	6	V
Operating Temperature	TOP	-40	+80	°C
Storage Temperature	TSTG	-40	+85	°C

Electrical Characteristics

DC Electrical Characteristics

Item	Symbol	Condition	Min	Typ	Max	Unit
Supply Voltage for Logic	VCC	—	2.8	3.3	5.5	V
High Level Input	VIH	—	0.8×VCC	—	—	V
Low Level Input	VIL	—	—	—	0.2×VCC	V
High Level Output	VOH	—	0.9×VCC	—	—	V
Low Level Output	VOL	—	—	—	0.1×VCC	V
50% Check Board operating Current	ICC	VCC =3.3V	—	80	160	mA