

```

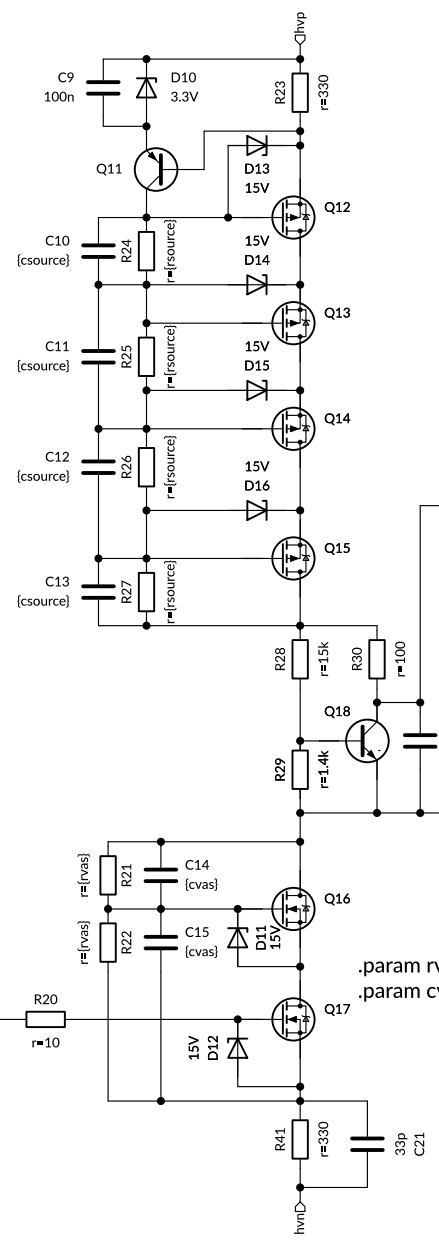
.options RELTOL=0.001
.options chgtol=1e-11 abstol=1e-6
.options RSHUNT=1e9
.options LSERIES=1p
.options CSHUNT=1f
.options ITL1=2000
.options ITL2=5000
.temp=10

```

```

.param rsource=10k
.param csource=10p

```



```

.param rvas=25k
.param cvas=33p

```

