

1

2

3

4

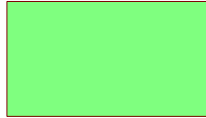
D

D

Name  
Analog.sch



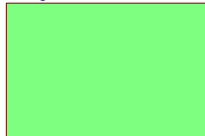
Name  
Ctl.sch



C

C

Name  
Wiring.sch



B

B

L:\101\_GJO\_PROJ\ACTIVE\_PRJ\2024\24004\_Tape\_Punch\PCB\_Design\24004\_Tape\_punch\24004\_Tape\_punch.Ddb - KAIXUN\_V1.3\_Ctl\_board\RBC1200.prj

Unless otherwise specified, all values are as follows:  
resistor values are in Ohms, i.e. 0R47, 5R6, 220, 5K6, 22K  
capacitor values are in Microfarads, i.e. 220p, 0u1, 2u2, 33  
inductor values are in Microhenries, i.e. 0u22, 5u6, 68, 2m2

PCB Name: *PCB Name*  
PCB Nr: *PCB No*  
PCB Type:

Title  
Used in  
Repl for  
Build No.

This drawing is our property. Duplication, unauthorized use of any kind is prohibited.  
Without Approval use only for inquiry.

Approval:

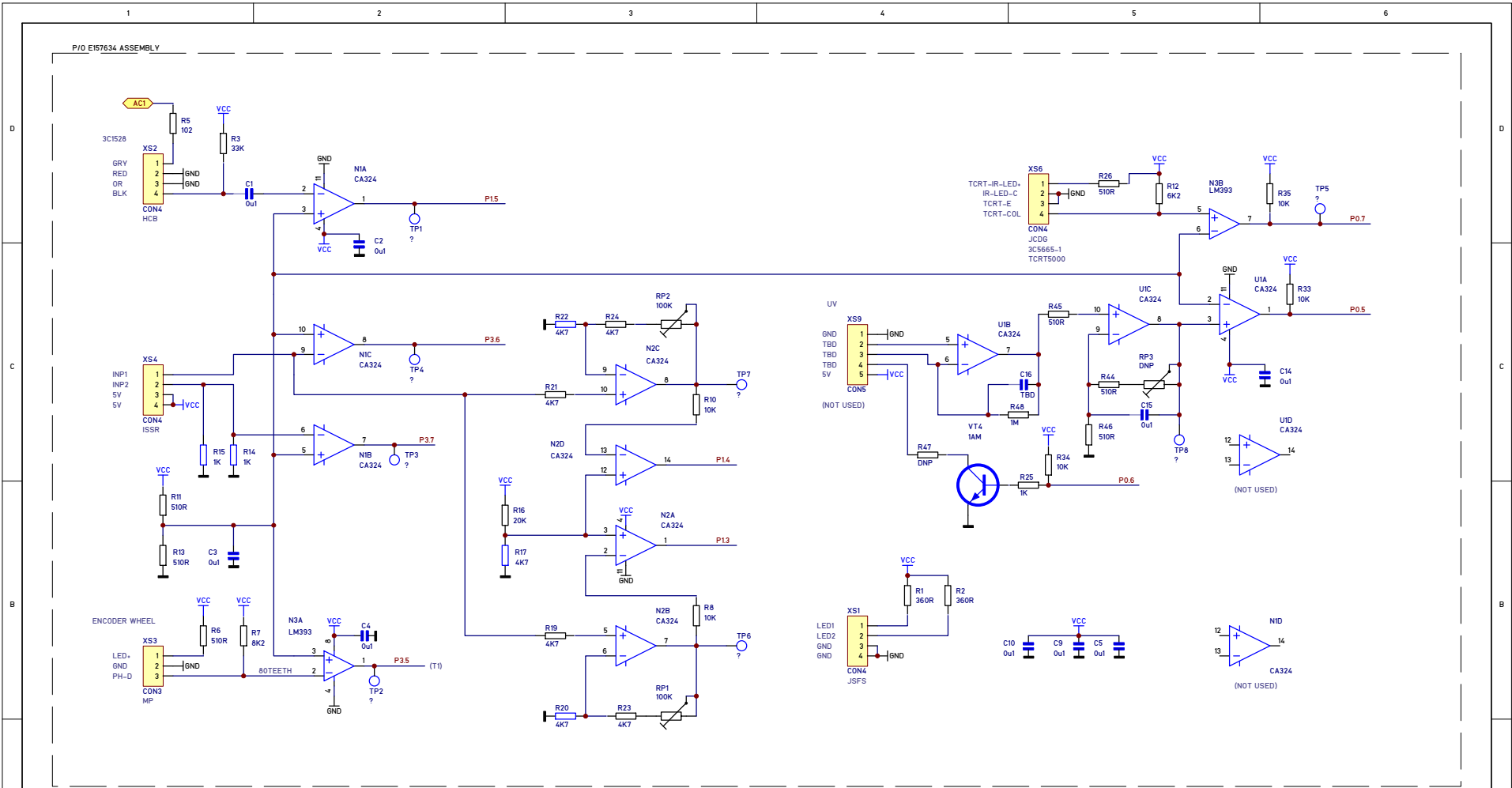
	Date	Name	Change Index	Change Notification Nr.	Date	Name
Drawn		Author				
Modified	20-Jul-2024 20:16:13					
Checked						
<input type="checkbox"/> Prototype <input type="checkbox"/> Production <input type="checkbox"/> BOM Done?						

Scale:  
Drw. Type:  
Size: **A**  
Rev:  
File: *RBC1200.prj*

Prj. Nr  
**Prj No**  
Drw. Nr  
Sheet 0 of 0

A

A

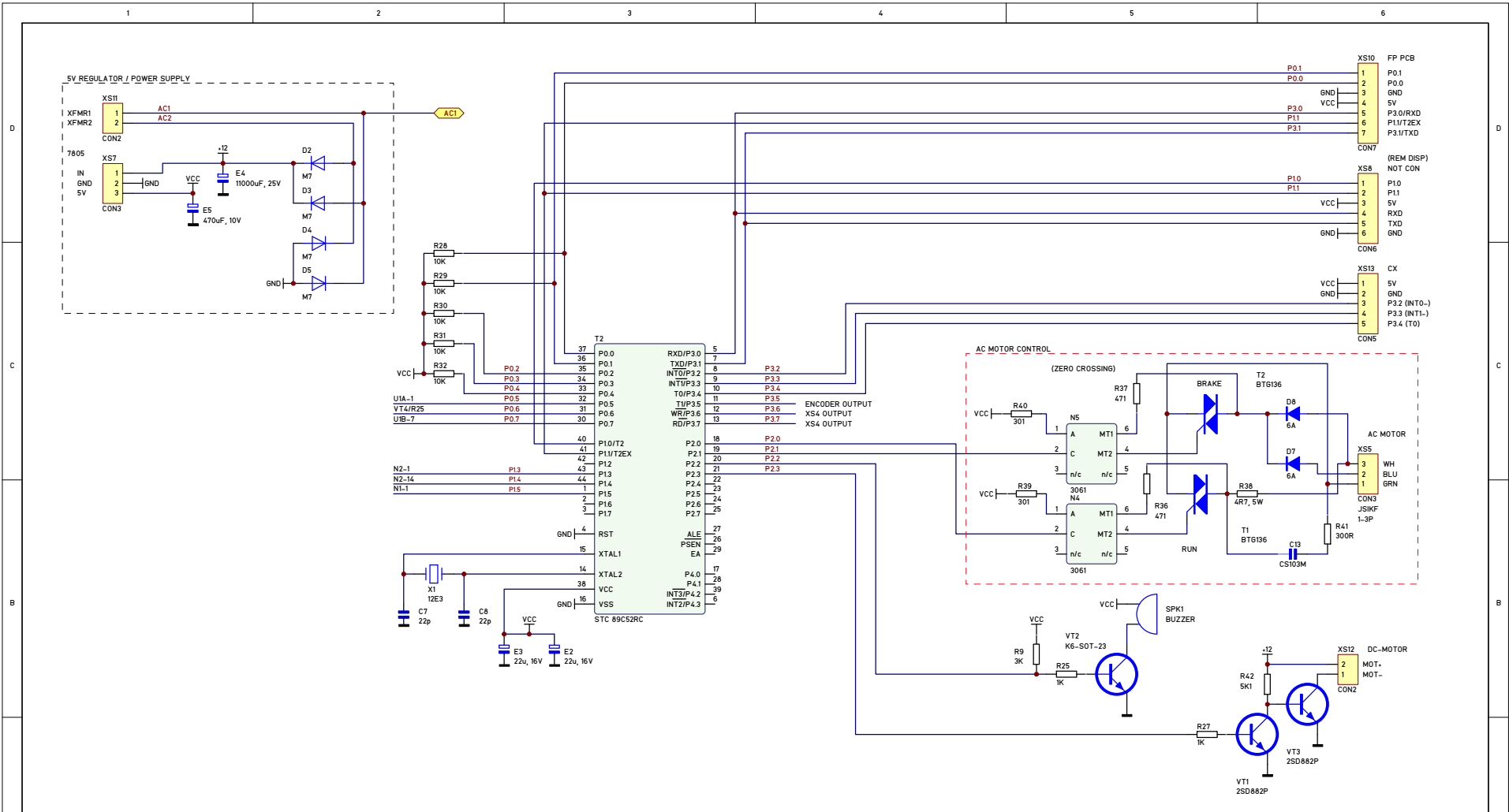


Unless otherwise specified, all values are as follows:  
 resistor values are in Ohms, i.e. 0R47, 5R6, 220, 5K6, 22K  
 capacitor values are in Microfarads, i.e. 220p, 0u1, 2u2, 33  
 inductor values are in Microhenries, i.e. 0u22, 5u6, 68, 2m2

This drawing is our property. Duplication, unauthorized use of any kind is prohibited.

Without Approval use only for inquiry.

PCB Name: <b>Cash Count Machine Board</b>		Title: <b>Cash Counting Machine Control Board</b>	
PCB Nr: <b>E157634</b>		Used in	
PCB Type:		Scale:	
Change Index		Change Notification Nr:	
Date	Name	Date	Name
20-Jul-2024	GJO		
Modified	20:16:19	Size: <b>A3</b>	Rev: <b>1</b>
Checked		Prj Nr: <b>24004</b>	
BOM Done?		Drw Nr: <b>4415-0000-2</b>	
File: <b>Analog.sch</b>		Sheet 2 of 2	



Unless otherwise specified, all values are as follows: resistor values are in Ohms, i.e. 0R47, 5R6, 220, 5K6, 22K capacitor values are in Microfarads, i.e. 220p, 0u1, 2u2, 33 inductor values are in Microhenries, i.e. 0u22, 5u6, 68, 2m2		PCB Name: <i>Cash Count Machine Board</i>		Title: <b>Cash Count Machine Board</b>			
This drawing is our property. Duplication, unauthorized use of any kind is prohibited.		PCB No: <i>E157634</i>		Used in			
Without Approval use only for inquiry.		PCB Type:		Repl'tor			
Approval:		Scale:		Build No.			
Drawn	Date	Name	Change Index	Change Notification No.	Date	Drw. Type:	Prj. No:
Checked	20-Jul-2024	GJO					24004
File: <i>Clt.sch</i>		Size: <b>A3</b>		Rev: <b>0</b>		Drw. No: <b>4415-0000-1</b>	
<input type="checkbox"/> Prototype <input type="checkbox"/> Production <input type="checkbox"/> BOM Done?		File: <i>Clt.sch</i>		Sheet 1 of 2			

