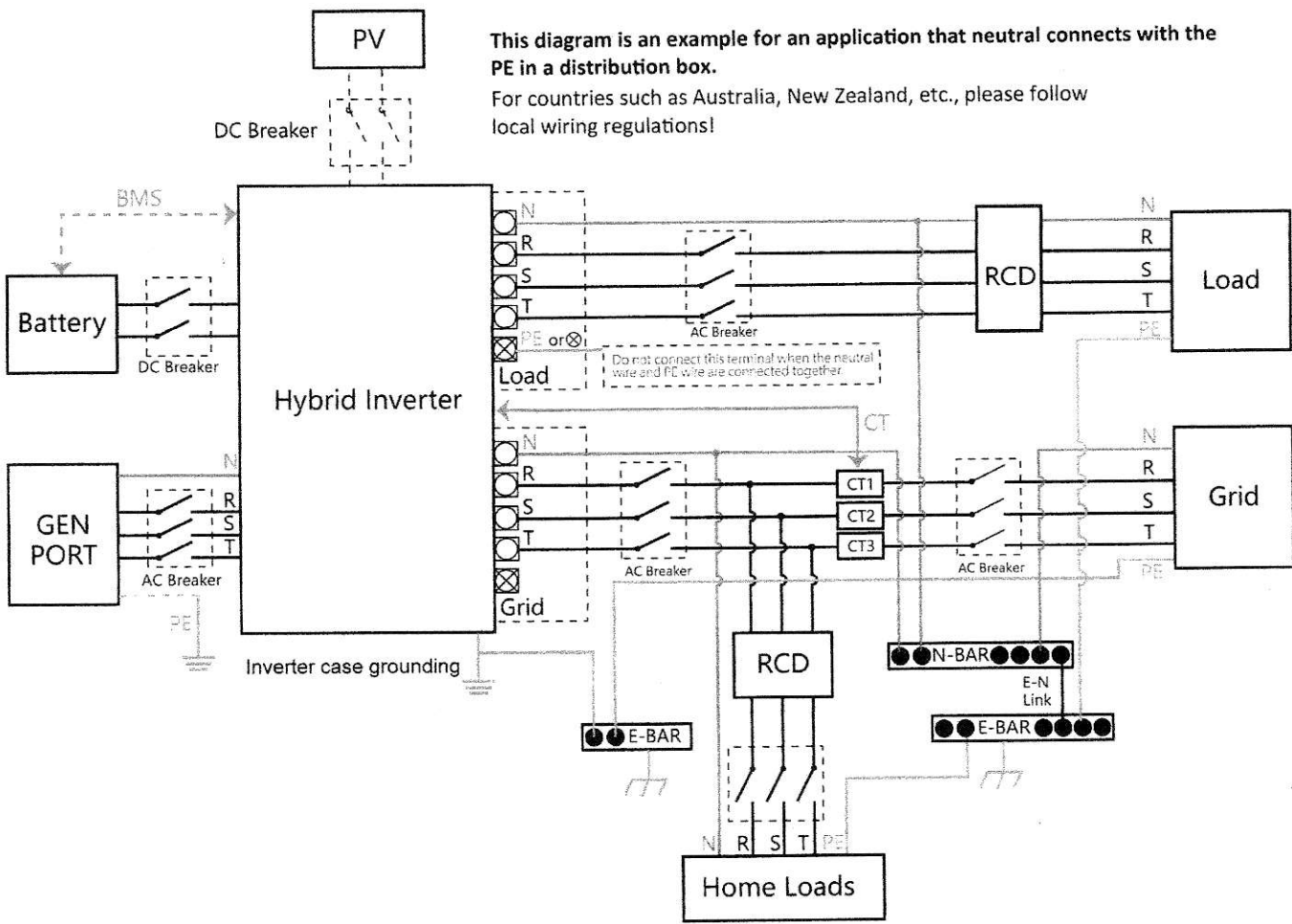


3.10 Wiring System for Inverter



3.11 Wiring diagram

This diagram is an example for an application in which neutral is separated from the PE in the distribution box.
For countries such as China, Germany, the Czech Republic, Italy, etc., please follow local wiring regulations!
Note: Backup function is optional in German market, please leave backup side empty if backup function is not available in the inverter.

